



US00D778696S

(12) **United States Design Patent** (10) **Patent No.:** **US D778,696 S**  
**Abbott et al.** (45) **Date of Patent:** **\*\* Feb. 14, 2017**

(54) **GARDEN TOOL WITH CROSS HATCHING**

(71) Applicant: **The Ames Companies, Inc.**, Camp Hill, PA (US)

(72) Inventors: **Aaron Abbott**, Harrisburg, PA (US); **Jared Aller**, Oakland, CA (US); **Beau Oyler**, Walnut Creek, CA (US); **Yulian Bagirov**, Oakland, CA (US); **Charles Bates**, Oakland, CA (US)

(73) Assignee: **The Ames Companies, Inc.**, Camp Hill, PA (US)

(\*\*) Term: **14 Years**

(21) Appl. No.: **29/496,670**

(22) Filed: **Jul. 16, 2014**

(51) **LOC (10) Cl.** ..... **08-01**

(52) **U.S. Cl.**  
USPC ..... **D8/10**

(58) **Field of Classification Search**  
USPC ..... D5/15, 29, 30, 58, 61, 99; D8/10, 11, 6, D8/7, 9; D21/532; D32/40, 41, 42, 43, D32/44, 45, 46, 47, 48, 49, 50  
CPC ..... A01B 1/00; A01B 1/02; A01B 1/22; A01B 1/225; A01B 1/24; A01B 1/026; A01B 1/06; Y10S 56/18; Y10T 16/44; Y10T 16/466; Y10T 428/216; Y10T 428/1486; A46B 2200/302  
See application file for complete search history.

(56) **References Cited**

U.S. PATENT DOCUMENTS

D250,083 S \* 10/1978 Insalaco ..... D8/10  
D360,564 S \* 7/1995 Tisbo et al. .... D8/10  
D363,653 S \* 10/1995 Tisbo et al. .... D8/10  
D403,223 S \* 12/1998 Jacoff ..... D8/80  
D596,470 S \* 7/2009 Greenly ..... D8/10  
D611,318 S 3/2010 Randolph et al.

7,942,077 B2 \* 5/2011 Lai ..... 74/551.9  
D685,195 S \* 7/2013 Maier ..... D5/58  
D699,446 S \* 2/2014 Choi ..... D5/58  
D712,219 S \* 9/2014 Randolph et al. .... D8/10  
D719,418 S \* 12/2014 Boies ..... D8/10

(Continued)

FOREIGN PATENT DOCUMENTS

CA 128448 7/2010

OTHER PUBLICATIONS

Hand quilting patterns Free for all, image post date Aug. 27, 2012, site visited on Aug. 12, 2015 (online), <<http://www.thimblelady.com/hand-quilting-patterns-free-for-all/>>.\*

(Continued)

*Primary Examiner* — Sheryl Lane

*Assistant Examiner* — Ieisha Price

(74) *Attorney, Agent, or Firm* — Brooks Kushman P.C.

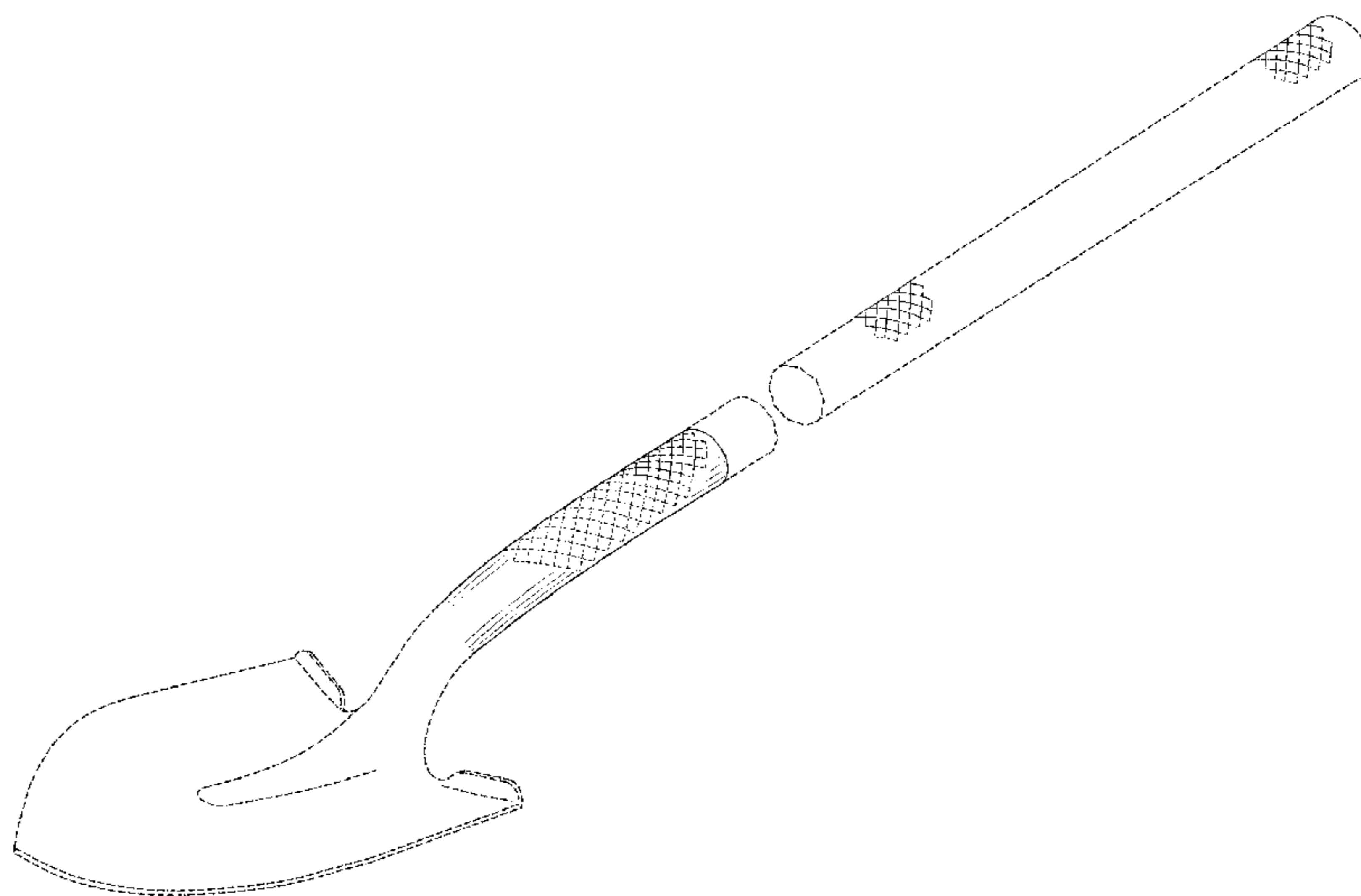
(57) **CLAIM**

The ornamental design for a garden tool with cross hatching, as shown and described.

**DESCRIPTION**

FIG. 1 is an isometric view of the garden tool with cross hatching;  
FIG. 2 is a front view of the garden tool with cross hatching;  
FIG. 3 is a back view of the garden tool with cross hatching;  
FIG. 4 is a left side view of the garden tool with cross hatching;  
FIG. 5 is a right side view of the garden tool with cross hatching; and,  
FIG. 6 is a top view of the garden tool with cross hatching.  
The broken lines in the drawings illustrate portions of the garden tool with cross hatching and form no part of the claimed design.

**1 Claim, 3 Drawing Sheets**



(56)

**References Cited**

U.S. PATENT DOCUMENTS

2004/0043183 A1\* 3/2004 Thrasher et al. .... 428/85  
2011/0037282 A1\* 2/2011 Randolph et al. .... 294/57

OTHER PUBLICATIONS

Canadian Office Action for corresponding Application No. 160238,  
mailed Sep. 16, 2016, 7 pages.

\* cited by examiner

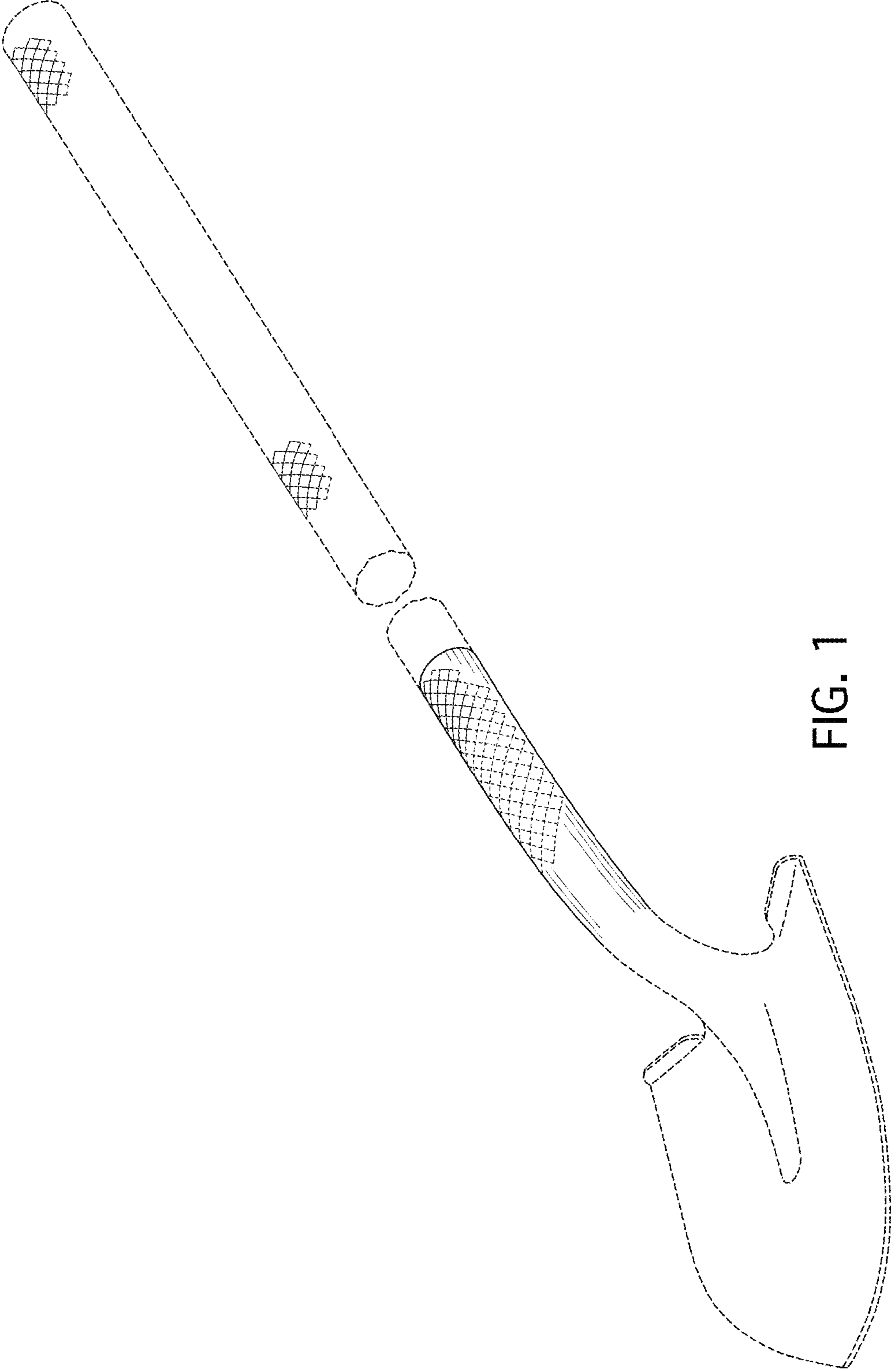
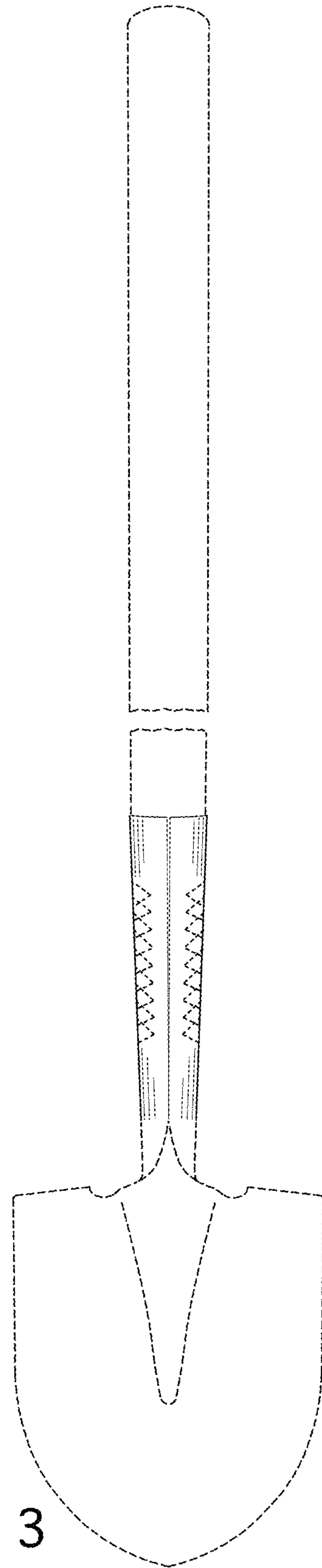
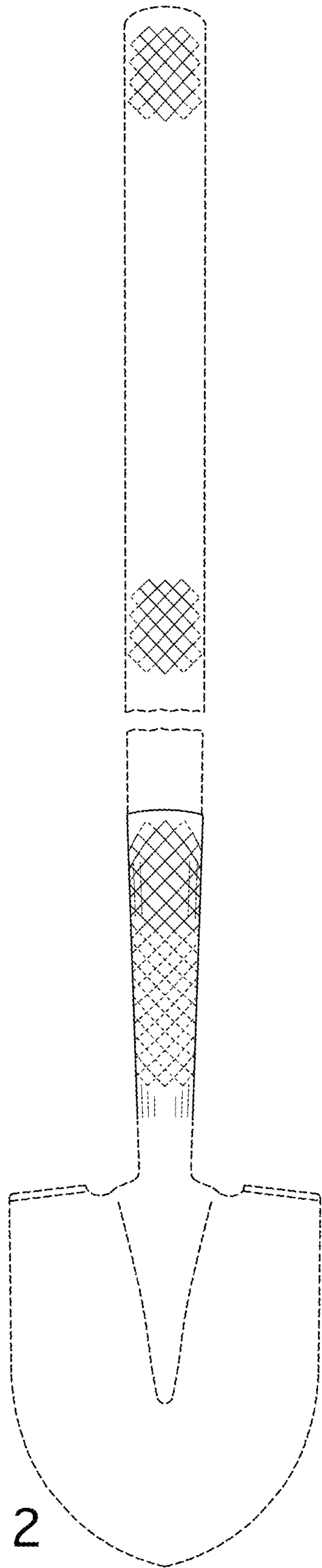


FIG. 1



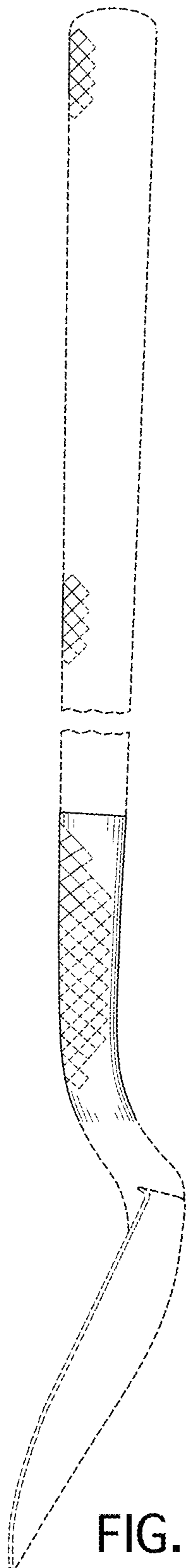


FIG. 4

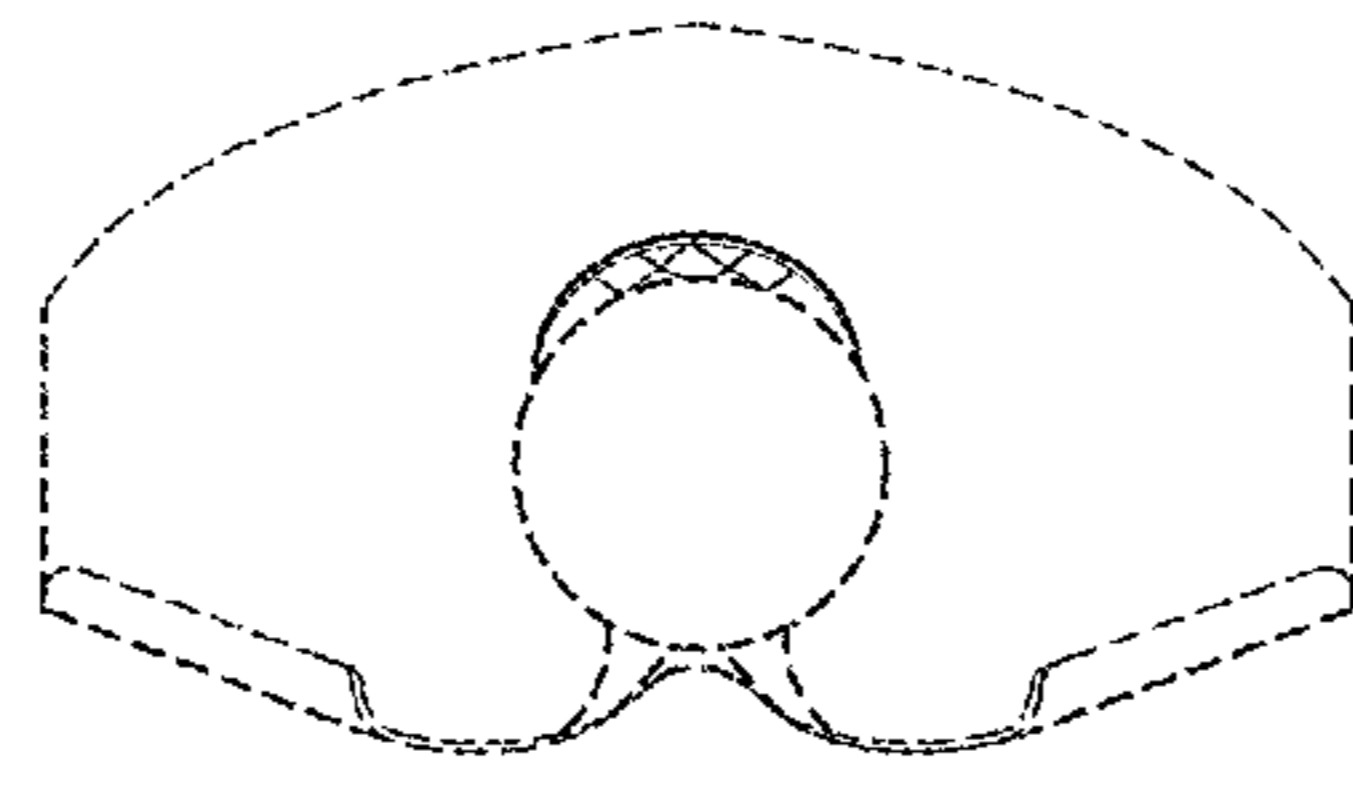


FIG. 6

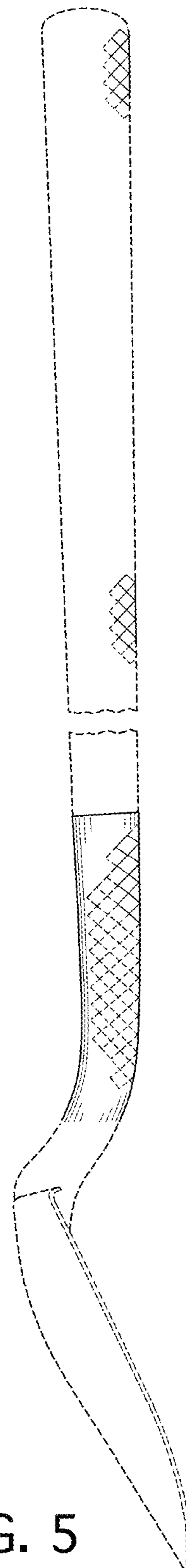


FIG. 5