



US00D778695S

(12) **United States Design Patent** (10) **Patent No.:** **US D778,695 S**
Marken (45) **Date of Patent:** **** Feb. 14, 2017**

(54) **ROTARY TILLER**
(71) Applicant: **Frederick R. Marken**, Hornbrook, CA (US)
(72) Inventor: **Frederick R. Marken**, Hornbrook, CA (US)
(**) Term: **15 Years**
(21) Appl. No.: **29/543,985**
(22) Filed: **Oct. 29, 2015**
(51) **LOC (10) Cl.** **08-01**
(52) **U.S. Cl.**
USPC **D8/8**
(58) **Field of Classification Search**
USPC D8/7, 8, 9, 499; D15/1, 15
CPC .. A01G 3/00; A01G 2003/0461; A01G 3/053;
A01G 3/0535; A01G 3/062; A01G 3/067;
A01G 3/08; A01G 3/085; A01G
3/086; A01D 34/00; A01D 34/02; A01D
34/08; A01D 34/412; A01D 34/63; A01D
34/67; A01D 34/83; A01D 34/831; A01D
34/833; A01D 34/90; A01D 34/902; B27B
17/00; B27B 17/0008; B27B
17/0025; Y10T 83/9324; A01B 33/027;
A01B 33/00
See application file for complete search history.

(56) **References Cited**
U.S. PATENT DOCUMENTS
1,665,998 A * 4/1928 Bechthold A01G 3/00
56/256
D163,474 S * 5/1951 Norton 30/DIG. 5
2,630,665 A * 3/1953 Lauer A01G 3/062
30/264
2,823,597 A 2/1958 Kelsey
2,952,110 A * 9/1960 Blanchard A01G 3/062
56/10.1
4,049,059 A 9/1977 Weibling

4,213,504 A 7/1980 Schneider
4,305,470 A 12/1981 Anderson
5,048,617 A 9/1991 Haven
D343,554 S * 1/1994 Watanabe D8/8
D357,482 S * 4/1995 Forbush D15/17
5,810,093 A 9/1998 Howard
5,850,882 A 12/1998 Link
6,050,344 A 4/2000 Larson et al.
6,227,317 B1 5/2001 Severns
6,722,444 B2 4/2004 McKill
6,955,227 B1 10/2005 Motosko
7,314,095 B2 1/2008 Cobb
D651,054 S 12/2011 Alex
D710,662 S * 8/2014 Kawase D8/8
2008/0011497 A1 1/2008 Catlin
2008/0149358 A1 6/2008 Catlin
2013/0047802 A1* 2/2013 Vierck A01D 34/416
81/489

(Continued)

Primary Examiner — Sandra Snapp
Assistant Examiner — Ieisha Price
(74) *Attorney, Agent, or Firm* — Jerry Haynes Law

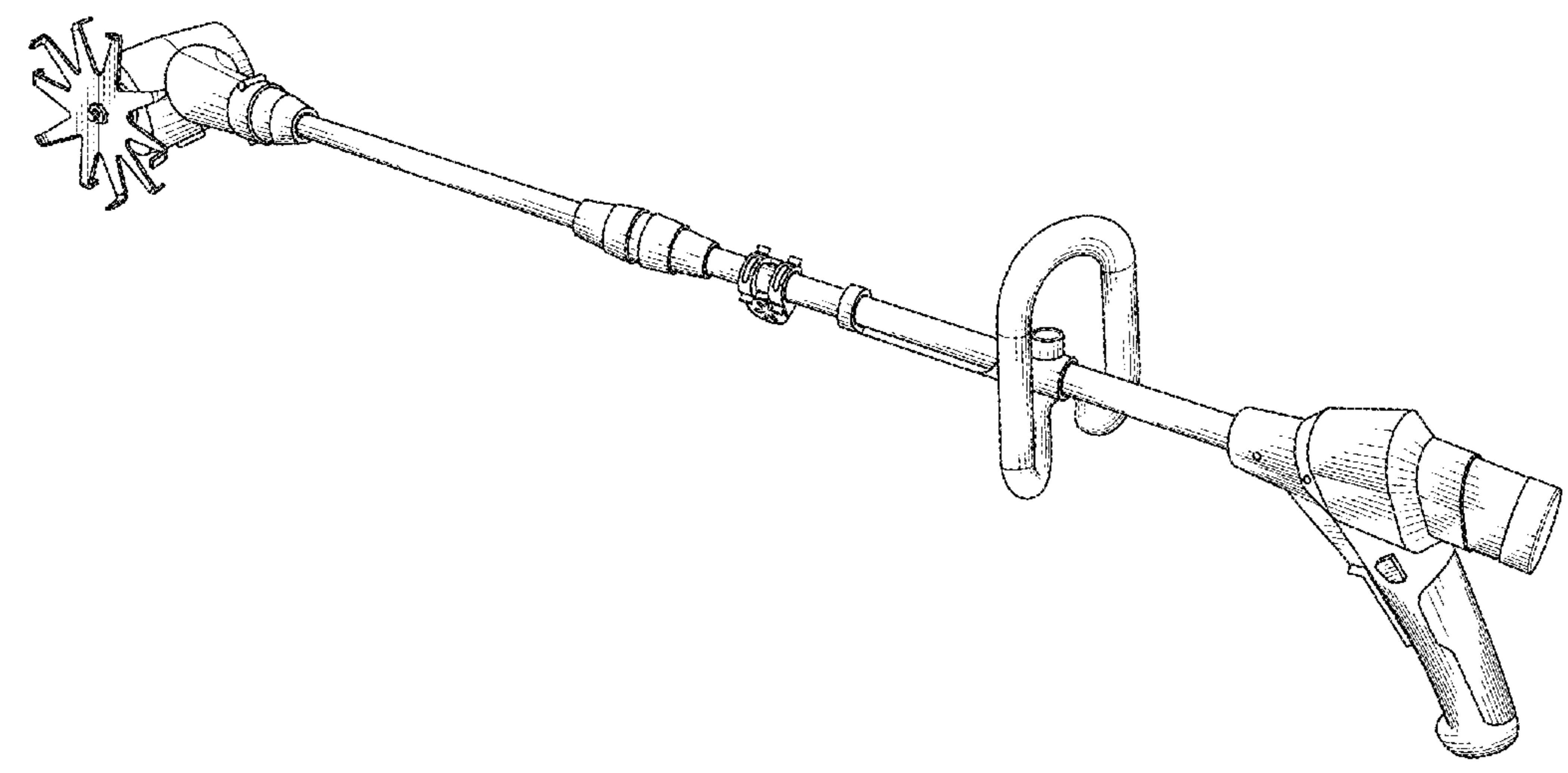
(57) **CLAIM**

The ornamental design for a rotary tiller, as shown and described.

DESCRIPTION

FIG. 1 is a left side perspective view of a rotary tiller showing the new design;
FIG. 2 is a left side view thereof;
FIG. 3 is a right side view thereof;
FIG. 4 is a top view thereof;
FIG. 5 is a bottom view thereof;
FIG. 6 is a front thereof; and,
FIG. 7 is a rear view thereof.
The broken lines in the drawings illustrate portions of the rotary tiller and form no part of the claimed design.

1 Claim, 4 Drawing Sheets



(56)

References Cited

U.S. PATENT DOCUMENTS

2014/0083726 A1 3/2014 Ader
2015/0034391 A1 2/2015 McLain
2015/0362062 A1* 12/2015 Yao F16H 57/0495
74/417

* cited by examiner

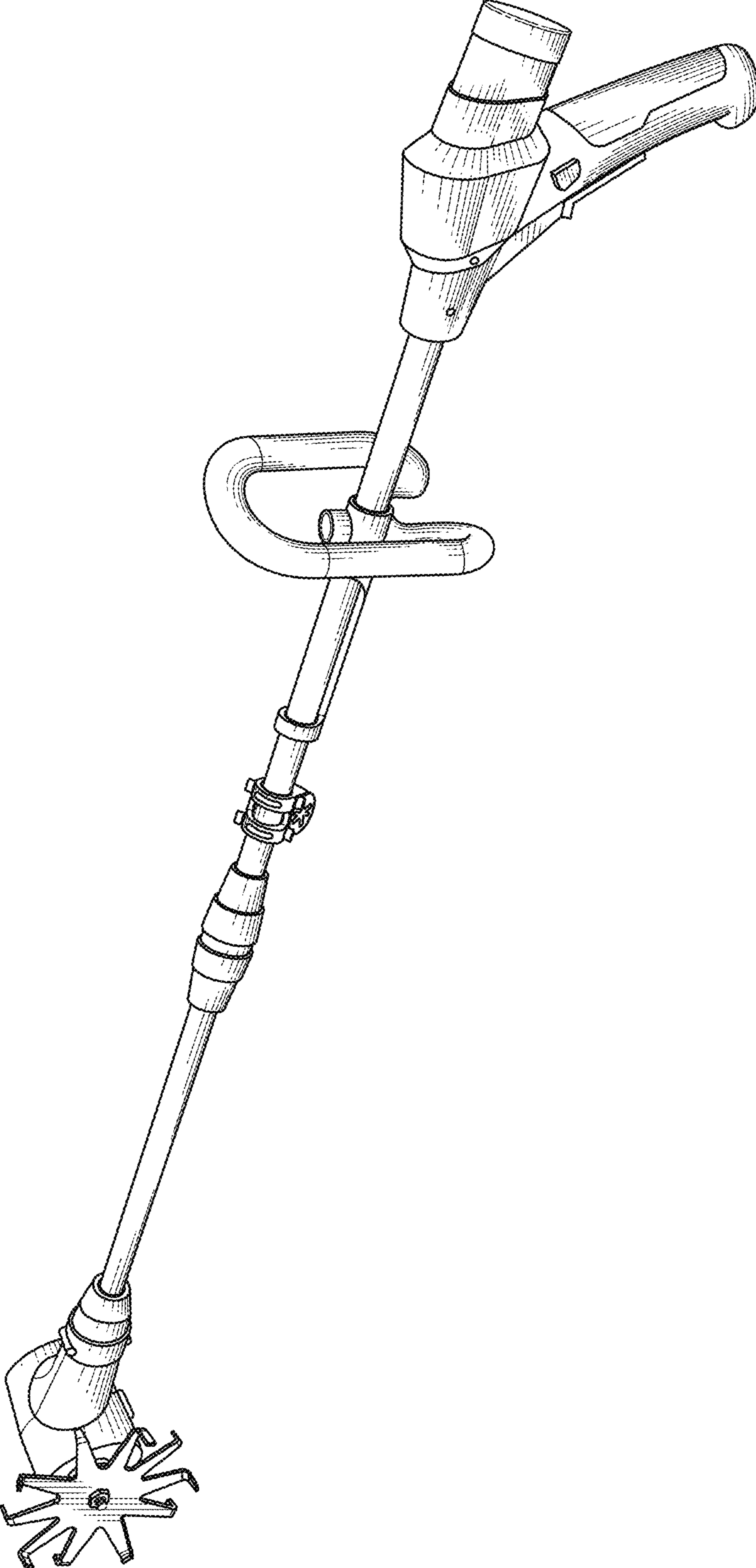


FIG. 1

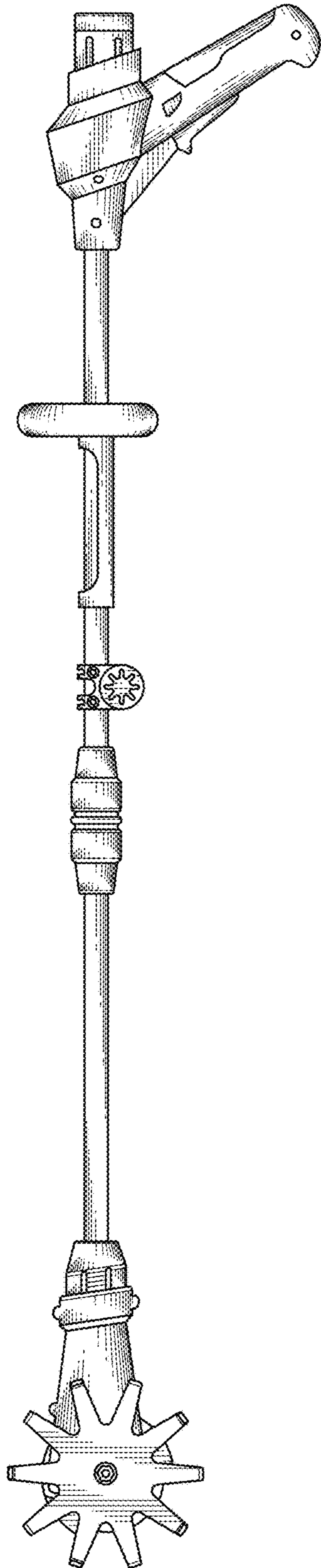


FIG. 2

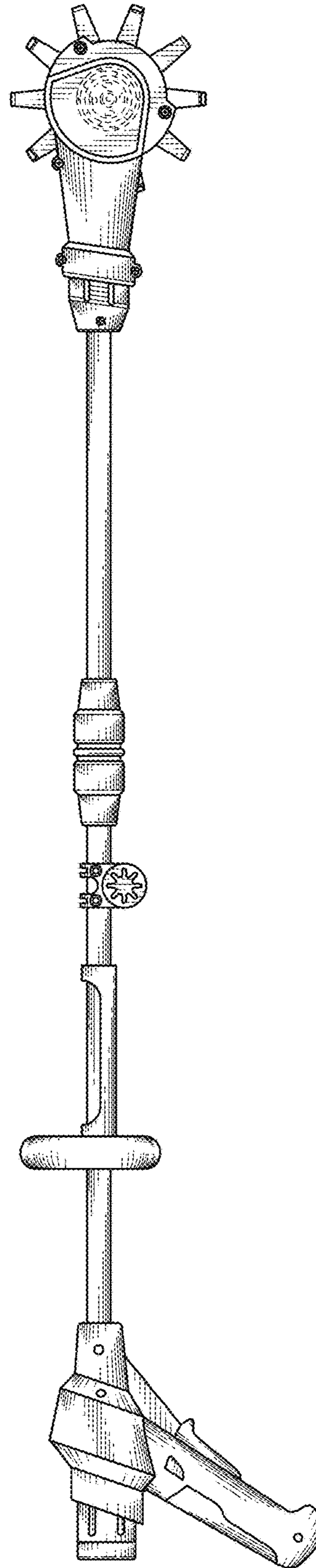


FIG. 3

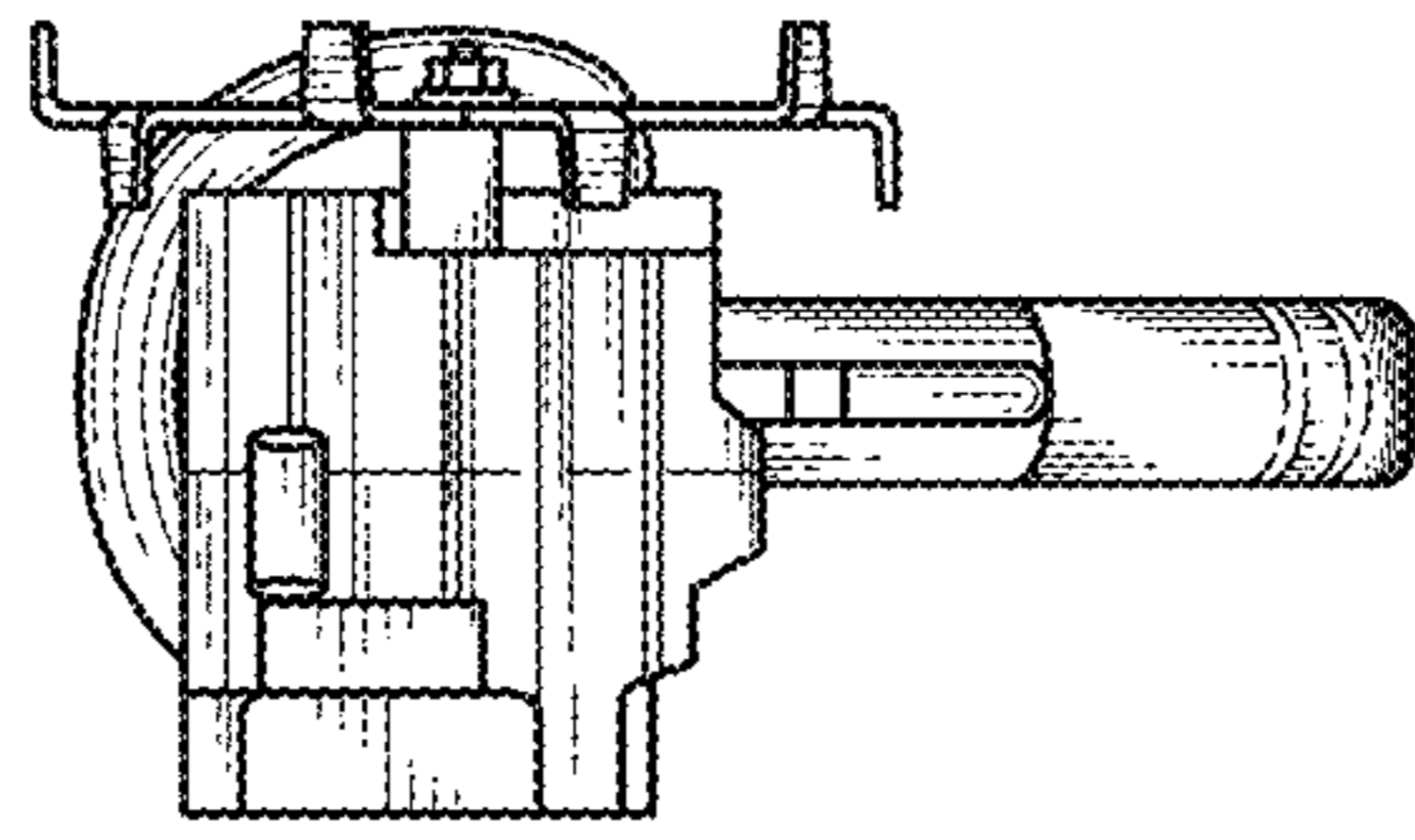


FIG. 5

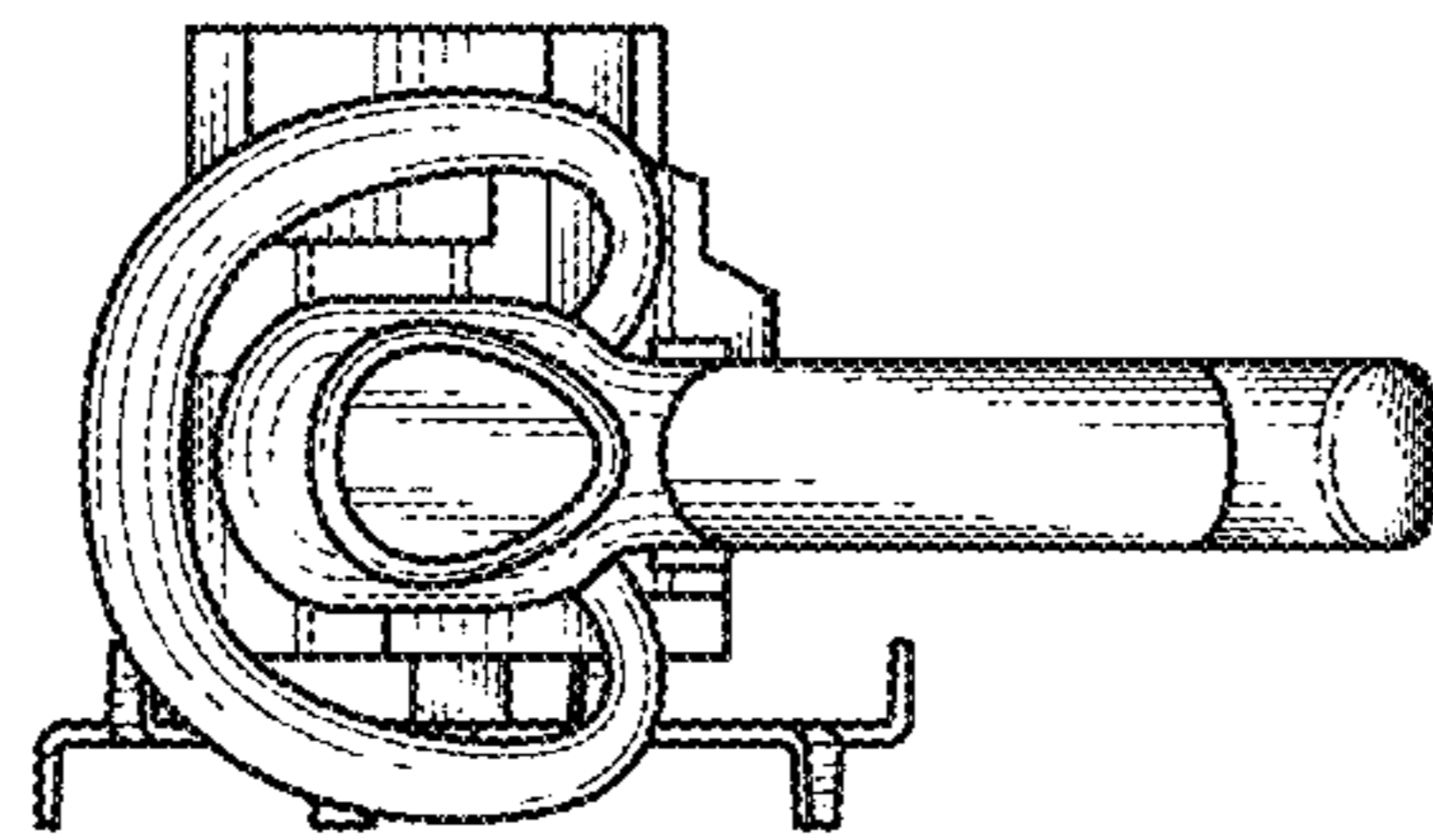


FIG. 4

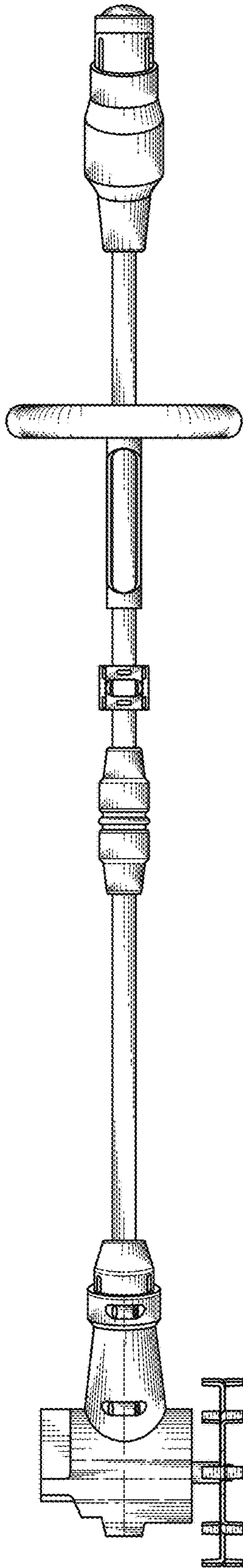


FIG. 6

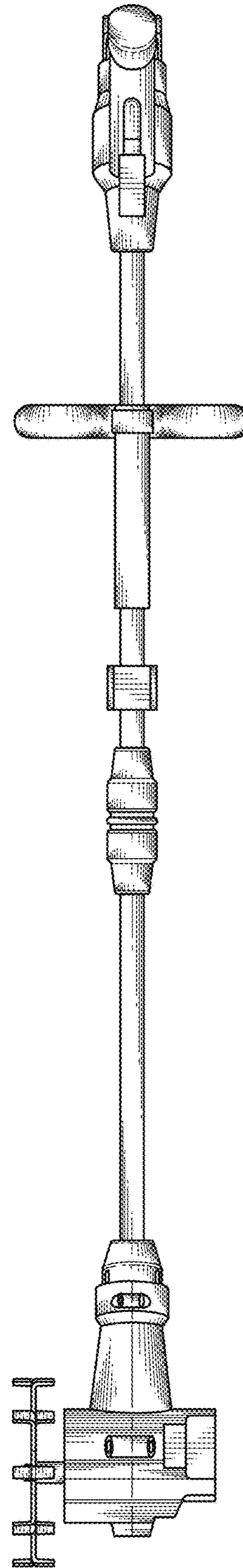


FIG. 7