



US00D778693S

(12) **United States Design Patent**  
 **Holding et al.**

(10) **Patent No.:** **US D778,693 S**

(45) **Date of Patent:** **\*\* Feb. 14, 2017**

(54) **COMBINED SCOOP AND PICK**  
(71) Applicant: **Joseph Joseph Ltd.**, London (GB)  
(72) Inventors: **Bill Holding**, London (GB); **Ben Cox**,  
London (GB)

4,332,409 A \* 6/1982 Stachowicz ..... A47J 43/283  
294/2  
D463,221 S \* 9/2002 Sanders ..... D7/643  
D681,405 S \* 5/2013 Bagley ..... D7/693  
D692,734 S \* 11/2013 Kent ..... D7/693  
D698,211 S \* 1/2014 Biever ..... D7/669  
2014/0017374 A1\* 1/2014 Bagley ..... A47J 25/00  
426/482

(73) Assignee: **Joseph Joseph Ltd.**, London (GB)

(\*\*) Term: **14 Years**

\* cited by examiner

(21) Appl. No.: **29/522,316**

*Primary Examiner* — Terry Wallace

(22) Filed: **Mar. 30, 2015**

(74) *Attorney, Agent, or Firm* — Millen White Zelano &  
Branigan P.C.

(30) **Foreign Application Priority Data**

Oct. 7, 2014 (EM) ..... 002552208-0003

(51) **LOC (10) Cl.** ..... **07-04**

(52) **U.S. Cl.**  
USPC ..... **D7/692; D7/683**

(58) **Field of Classification Search**  
USPC ..... D7/653–664, 642, 680–696, 393, 395  
CPC ..... A61C 15/041; A61C 15/02; A61C 15/00;  
A47G 21/02; A47J 43/283; A47J 25/00  
See application file for complete search history.

(57) **CLAIM**

The ornamental design for a combined scoop and pick, as  
shown and described.

(56) **References Cited**

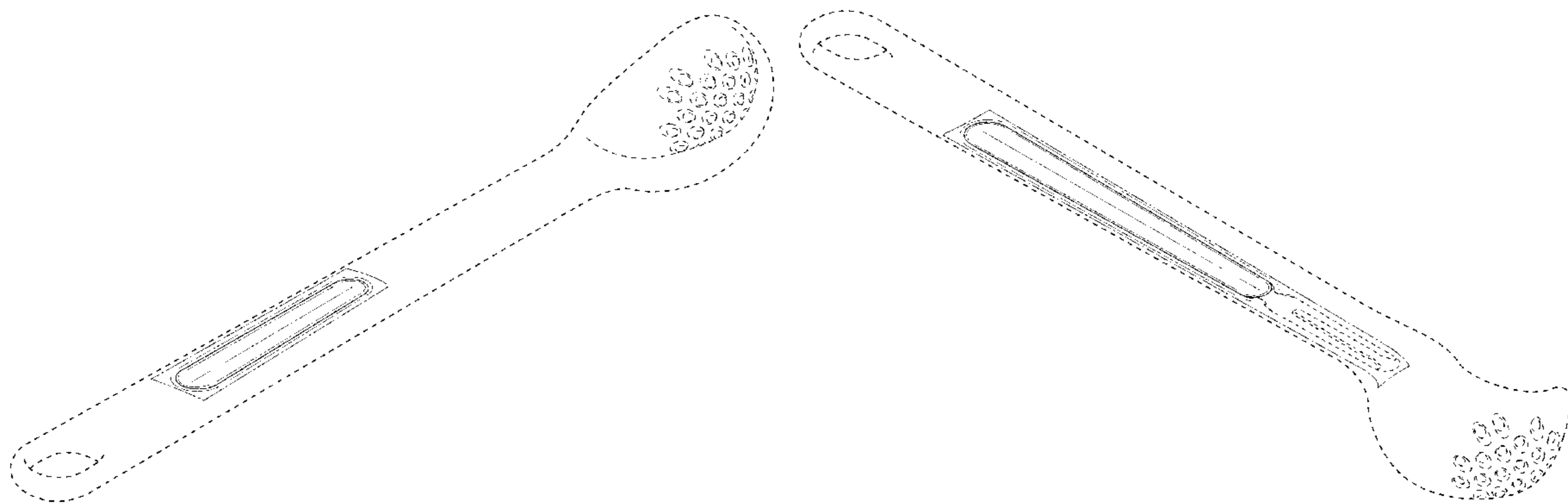
**U.S. PATENT DOCUMENTS**

2,877,547 A \* 3/1959 Feaster ..... A47G 21/02  
294/2  
3,664,020 A \* 5/1972 Hammond ..... A47G 21/02  
132/323

**DESCRIPTION**

FIG. 1 is a side view of the combined scoop and pick  
showing my new design.  
FIG. 2 is a top view thereof.  
FIG. 3 is another side view thereof.  
FIG. 4 is a bottom view thereof.  
FIG. 5 is front view thereof.  
FIG. 6 is a back view thereof.  
FIG. 7 is a front top perspective view thereof; and,  
FIG. 8 is a back bottom perspective view thereof.  
The dot dash lines show the boundary of the area being  
claimed.

**1 Claim, 8 Drawing Sheets**



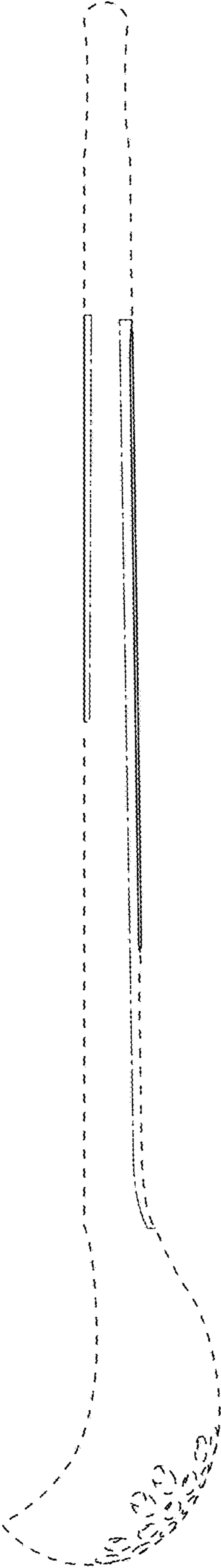


FIG.1

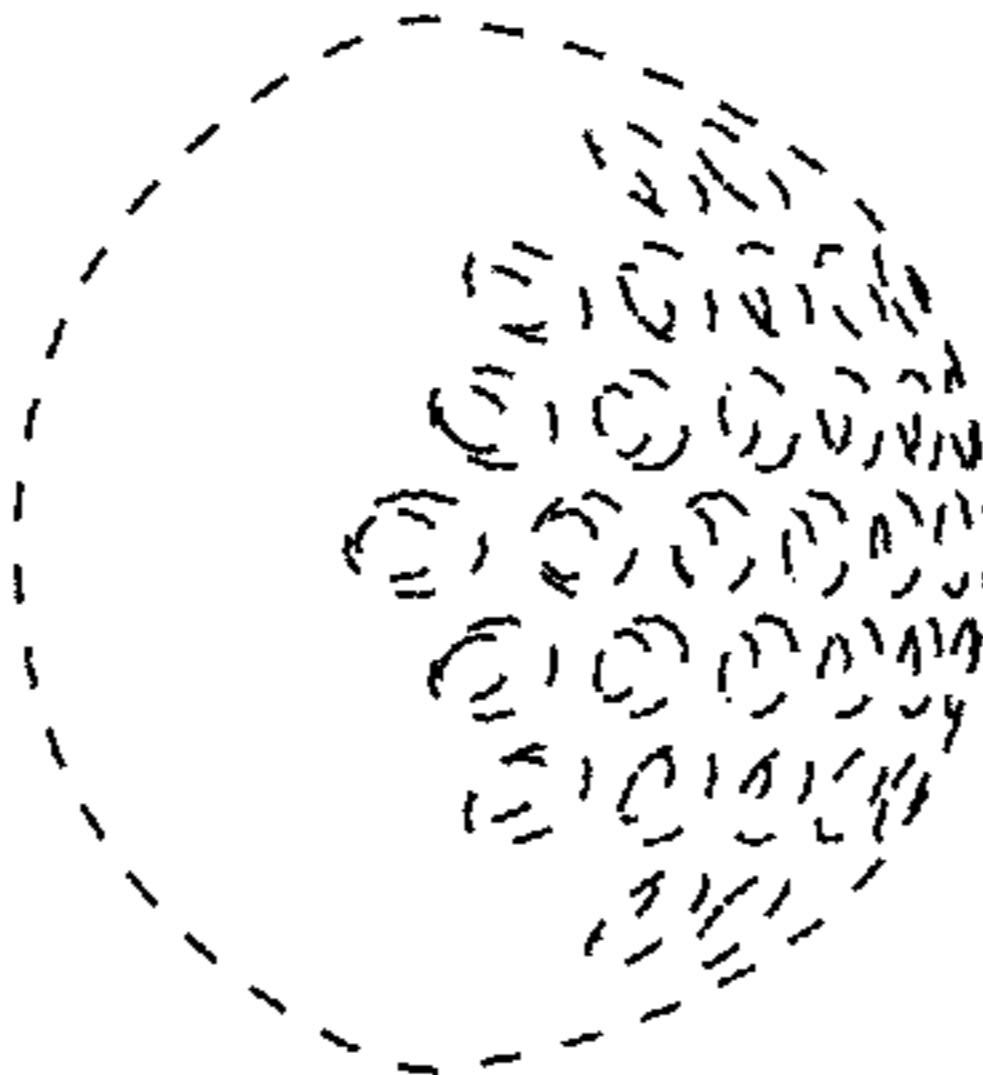


FIG.2

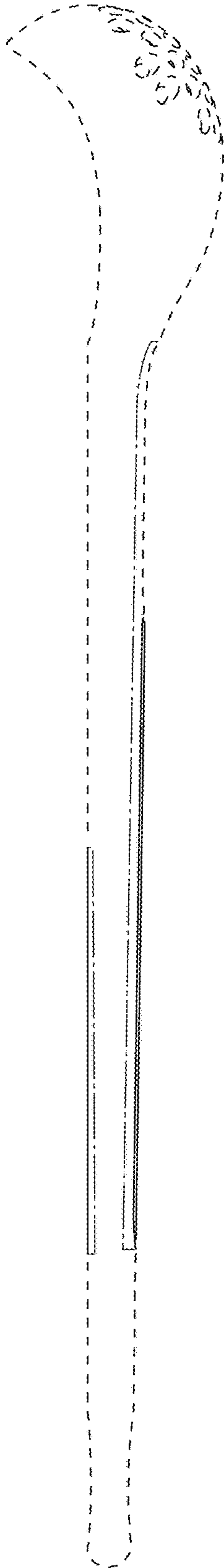


FIG. 3

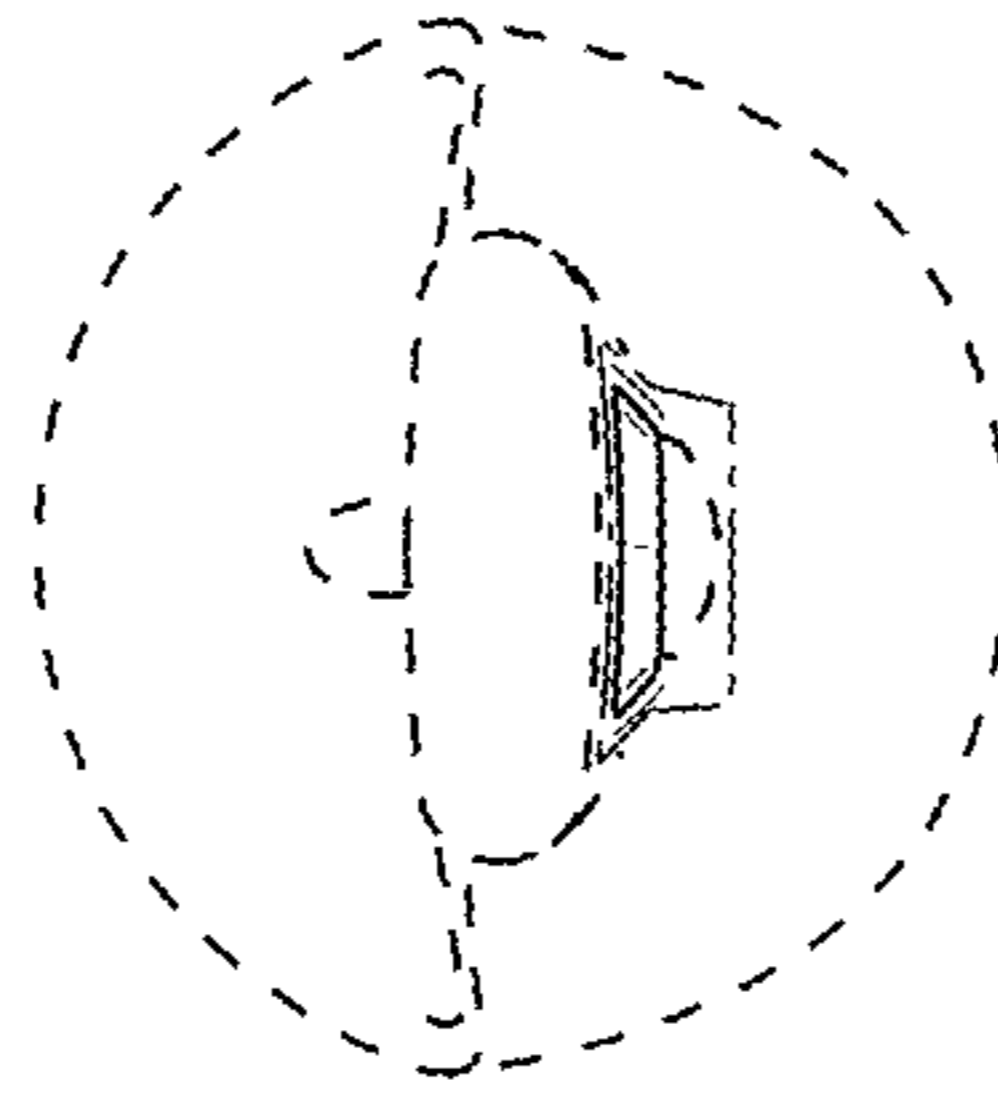


FIG. 4

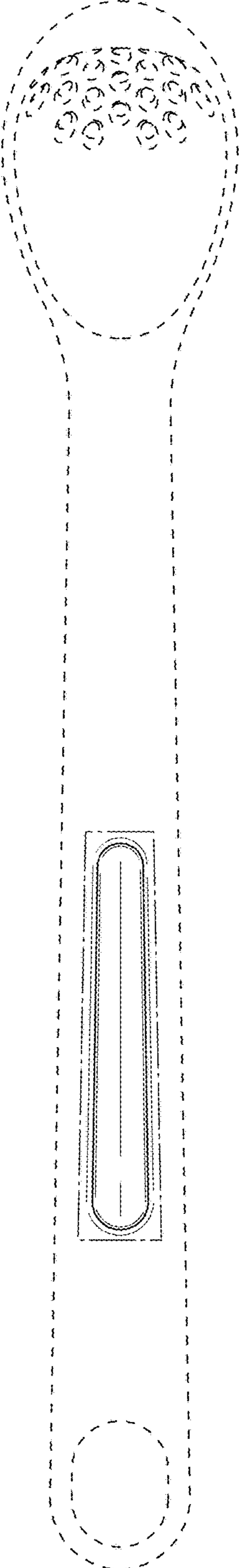


FIG.5

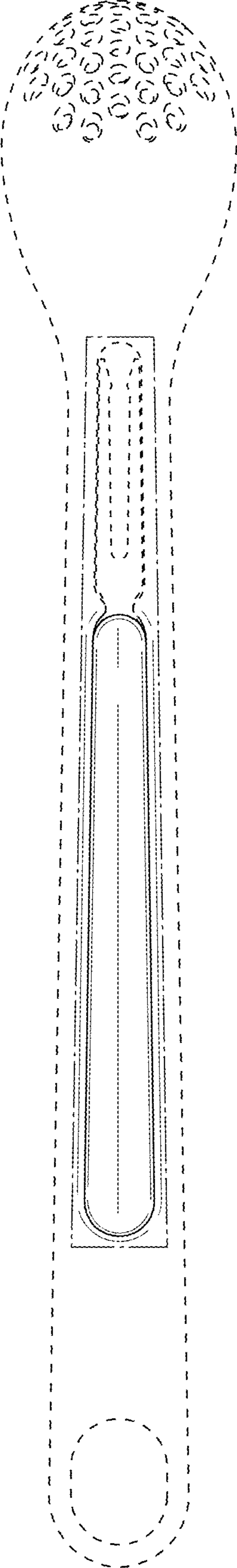


FIG.6

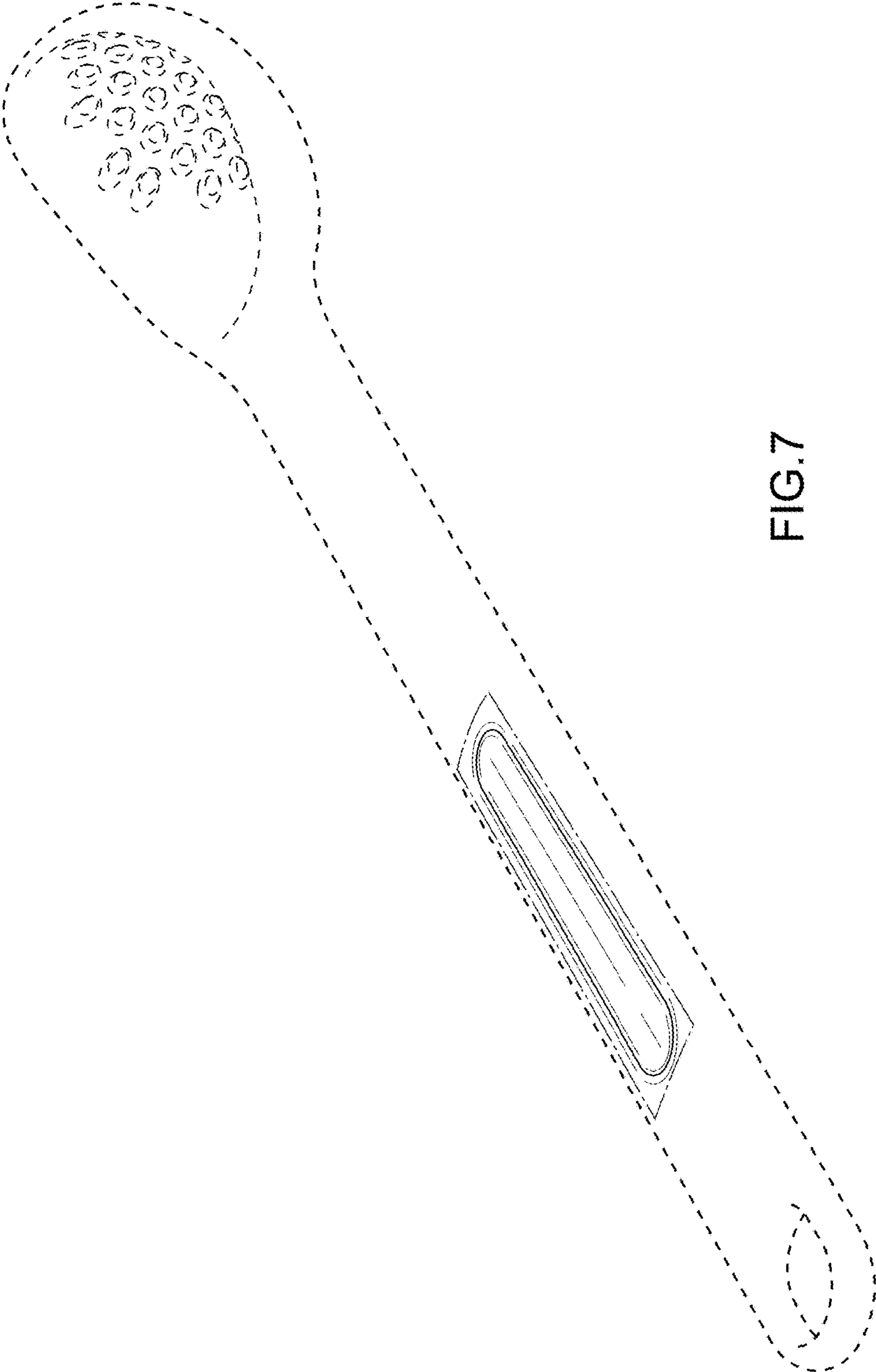


FIG.7



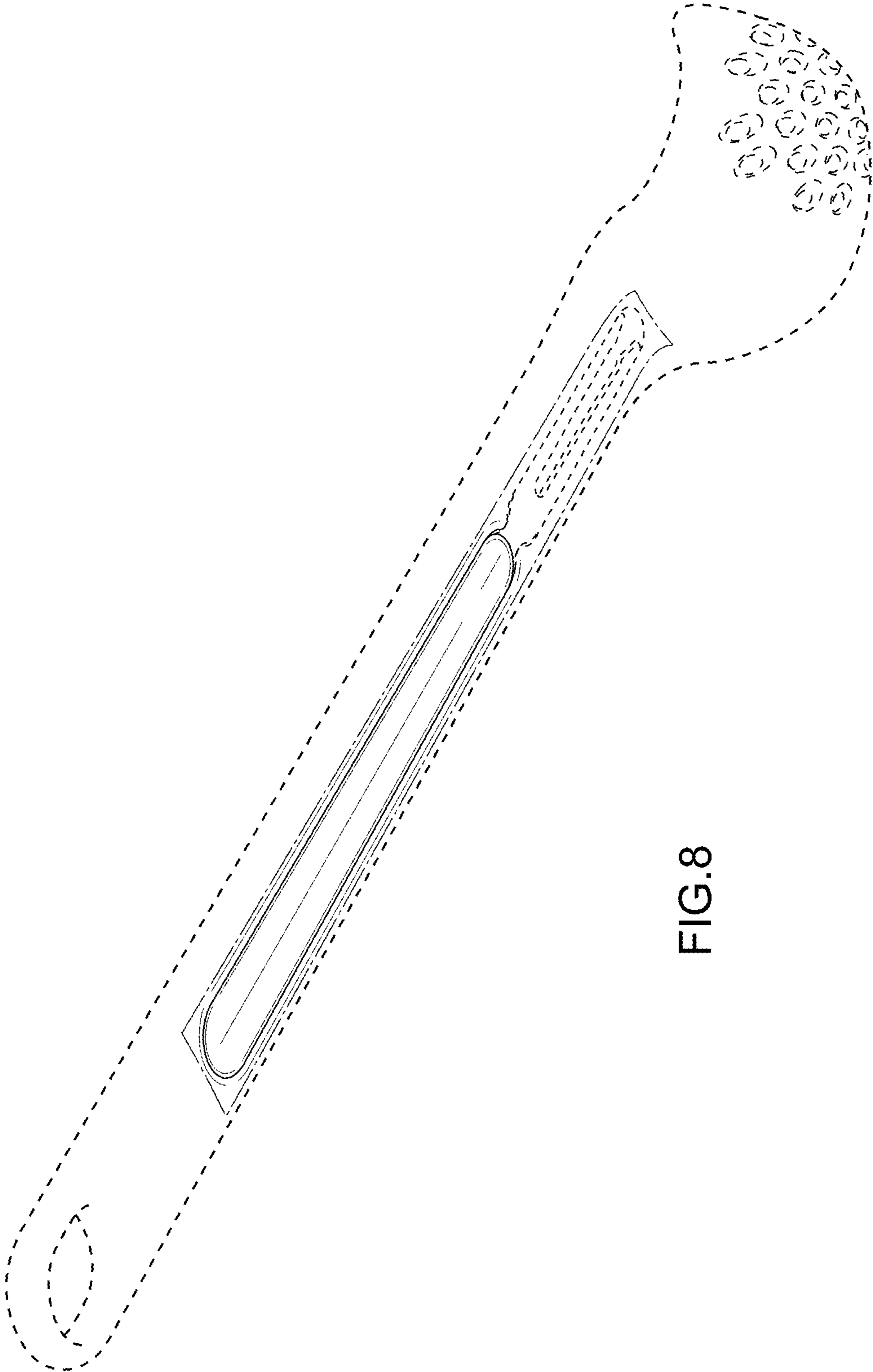


FIG.8