



US00D778692S

(12) **United States Design Patent**
Yamamoto

(10) **Patent No.:** **US D778,692 S**

(45) **Date of Patent:** **** Feb. 14, 2017**

(54) **VEGETABLE RETAINER FOR VEGETABLE COOKING UTENSIL**

(71) Applicant: **BENRINER CO., LTD**, Iwakuni-shi (JP)

(72) Inventor: **Hajime Yamamoto**, Iwakuni (JP)

(73) Assignee: **Benriner Co., LTD**, Yamaguchi (JP)

(**) Term: **15 Years**

(21) Appl. No.: **29/542,808**

(22) Filed: **Oct. 17, 2015**

(30) **Foreign Application Priority Data**

May 19, 2015 (JP) 2015-010840

(51) **LOC (10) Cl.** **07-04**

(52) **U.S. Cl.**
USPC **D7/669**

(58) **Field of Classification Search**
USPC D7/669, 672-678, 382, 394, 412
CPC A47J 43/25; A47J 43/255; B26D 7/26;
B26D 9/00; B26D 2210/02; B26D 7/01
See application file for complete search history.

(56) **References Cited**

U.S. PATENT DOCUMENTS

D224,434 S * 7/1972 Dalley D7/669
3,762,307 A * 10/1973 Badovinac A47J 43/16
99/345
D354,886 S * 1/1995 Diefenbach D7/678

D684,436 S * 6/2013 Sudmalis D7/673
D694,591 S * 12/2013 Hand D7/672
2006/0157599 A1 * 7/2006 Klotz A47J 43/25
241/95
2009/0255391 A1 * 10/2009 Hood B26D 3/283
83/648
2012/0180612 A1 * 7/2012 Holcomb B26D 1/06
83/613
2012/0198980 A1 * 8/2012 Bagley B26D 3/283
83/699.51

FOREIGN PATENT DOCUMENTS

JP 1518843 3/2015

* cited by examiner

Primary Examiner — Terry Wallace

(74) *Attorney, Agent, or Firm* — Fattibene and Fattibene Ltd; Paul A. Fattibene

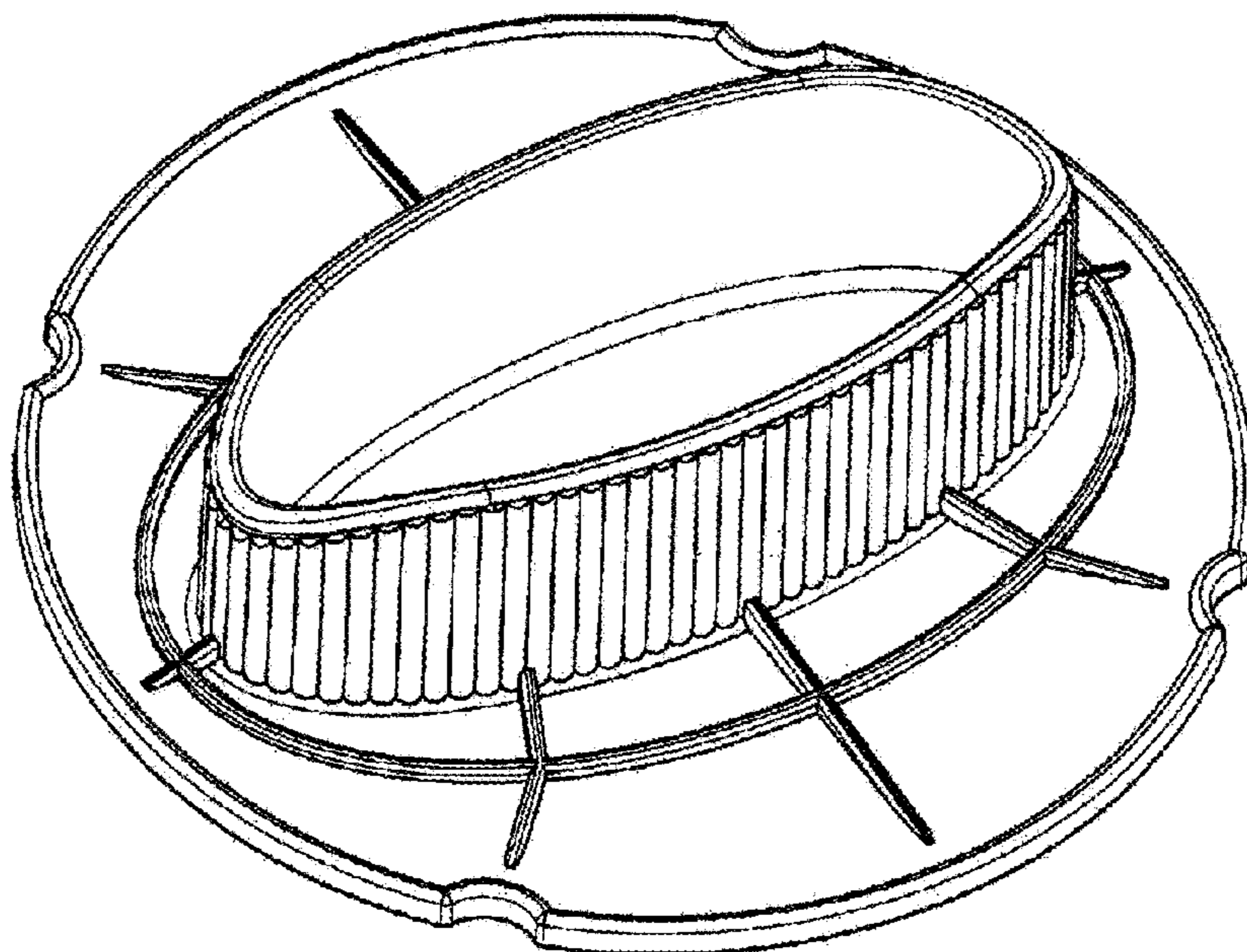
(57) **CLAIM**

The ornamental design for a vegetable retainer for vegetable cooking utensil, as shown and described.

DESCRIPTION

FIG. 1 is a front elevation view a vegetable retainer for vegetable cooking utensil showing the new design;
FIG. 2 is a rear elevation view thereof;
FIG. 3 is a top plan thereof;
FIG. 4 is a bottom plan view thereof;
FIG. 5 is a left side elevation view thereof;
FIG. 6 is a right side elevation view thereof;
FIG. 7 is a top perspective view thereof; and,
FIG. 8 is a bottom perspective view thereof.

1 Claim, 8 Drawing Sheets



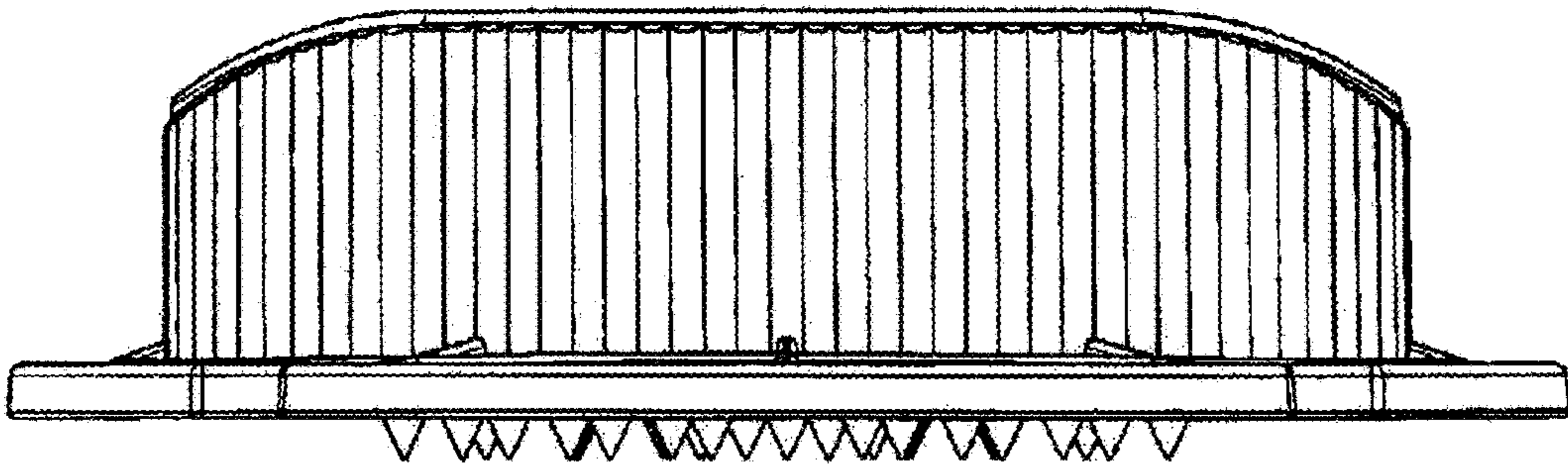


Fig. 1

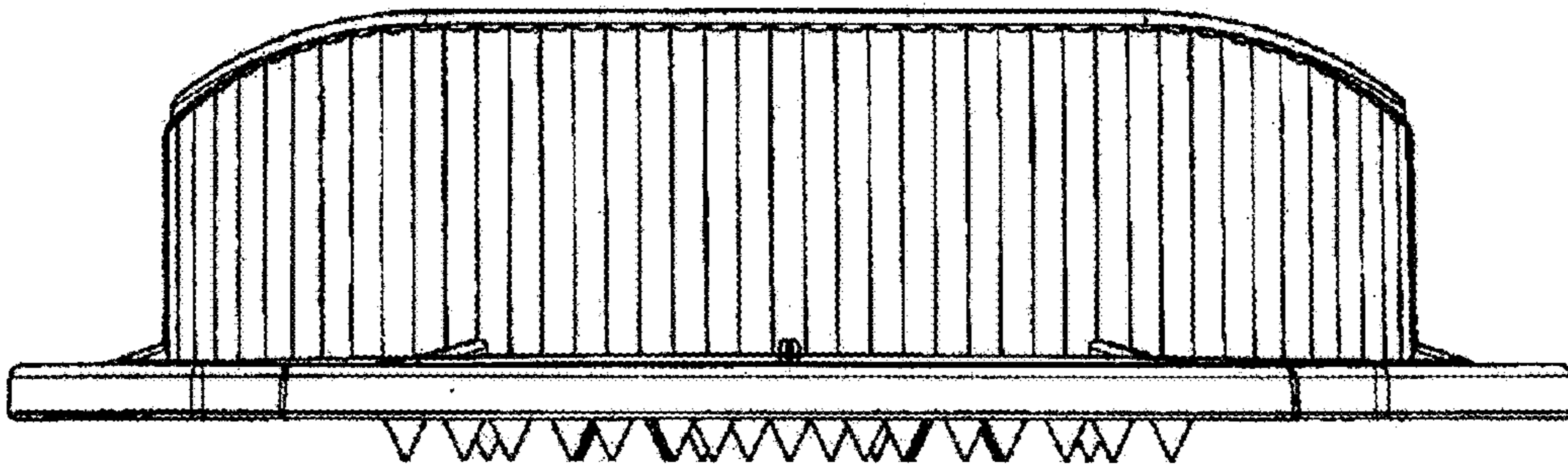


Fig. 2

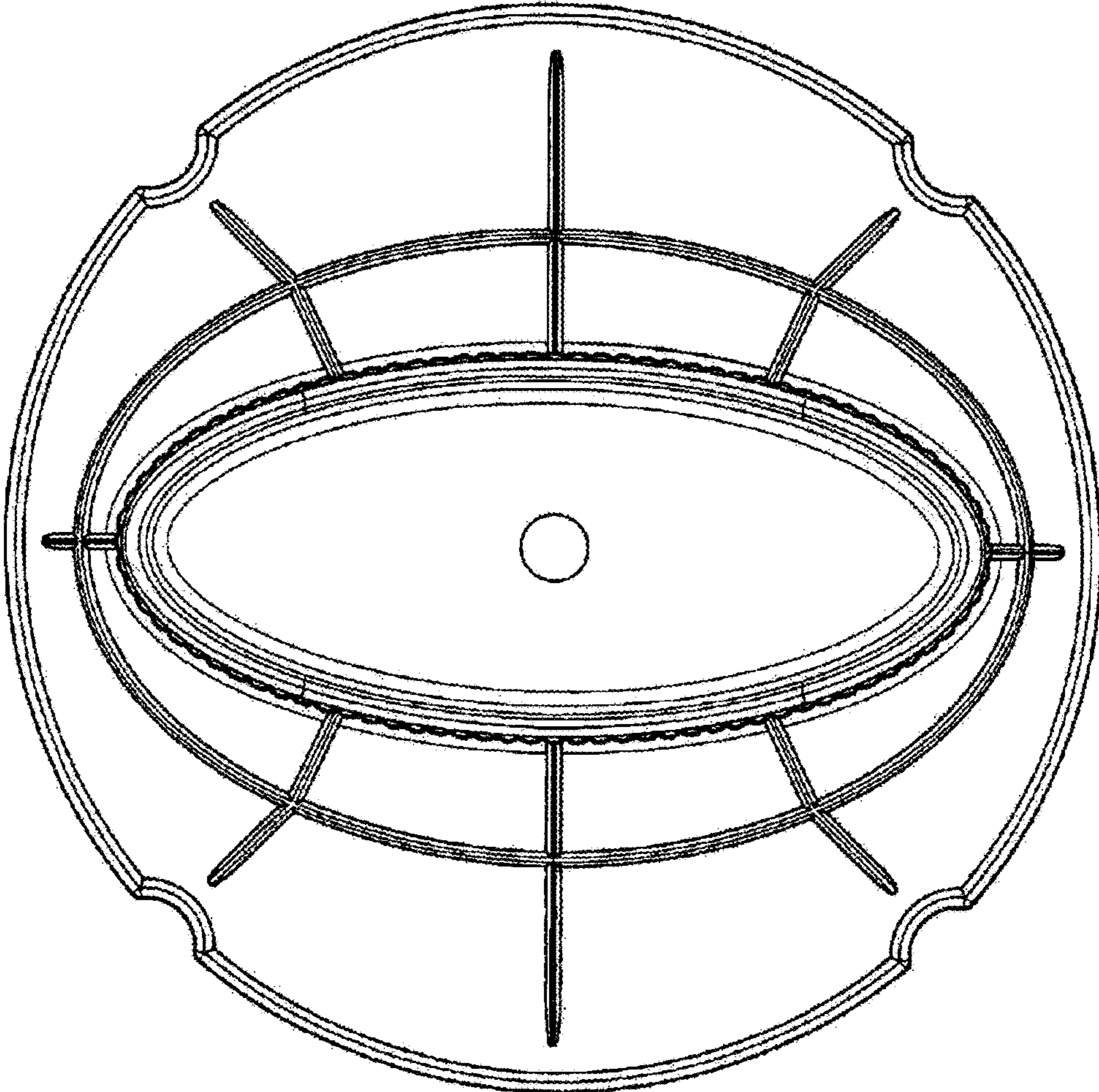


Fig. 3

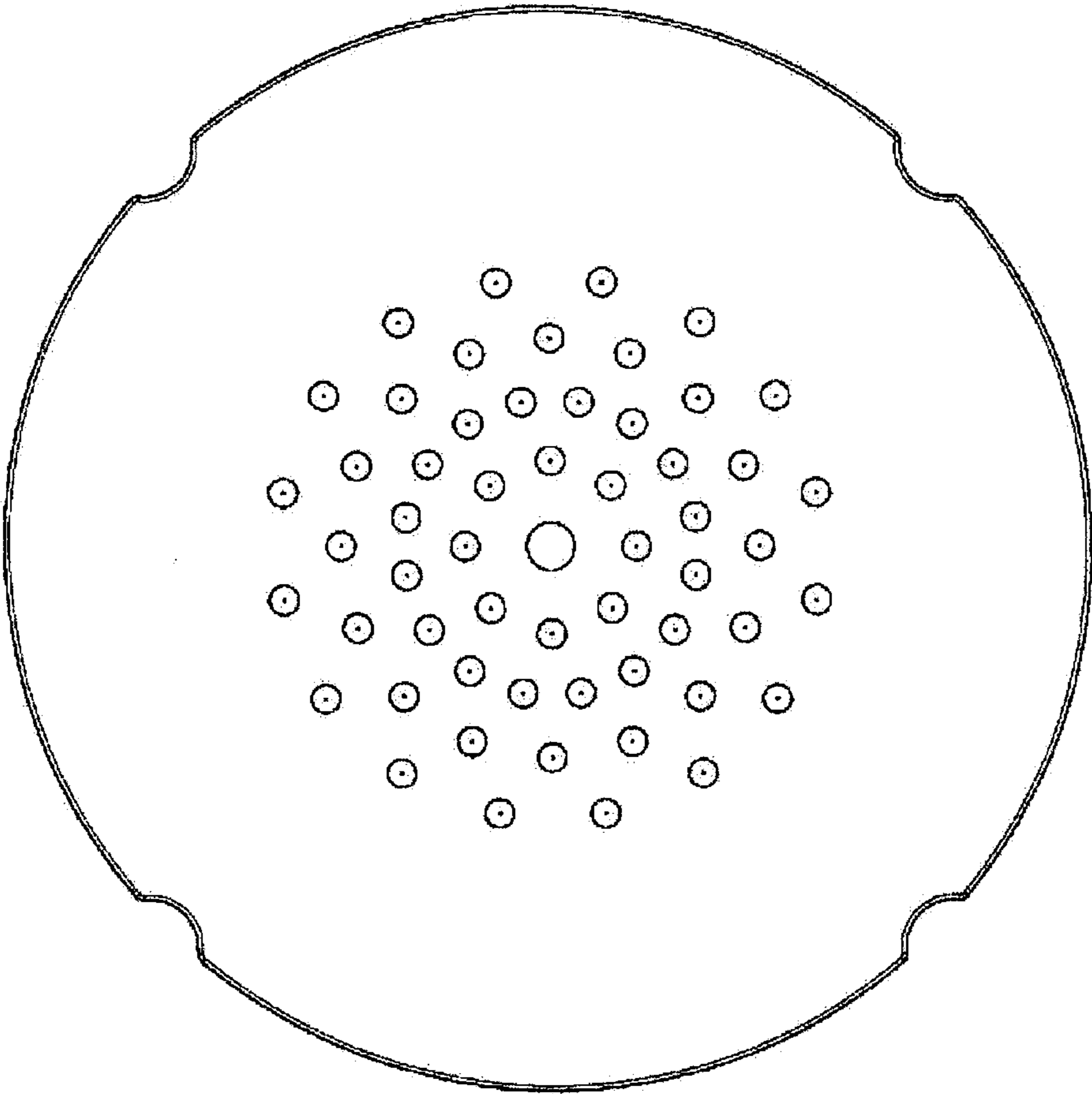


Fig. 4

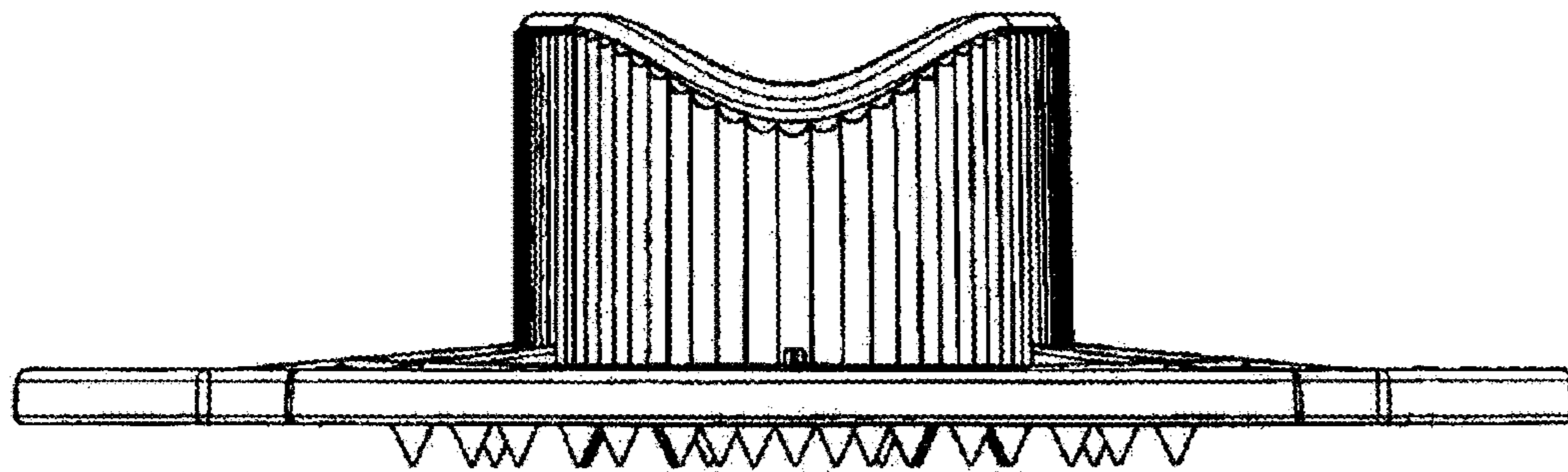


Fig. 5

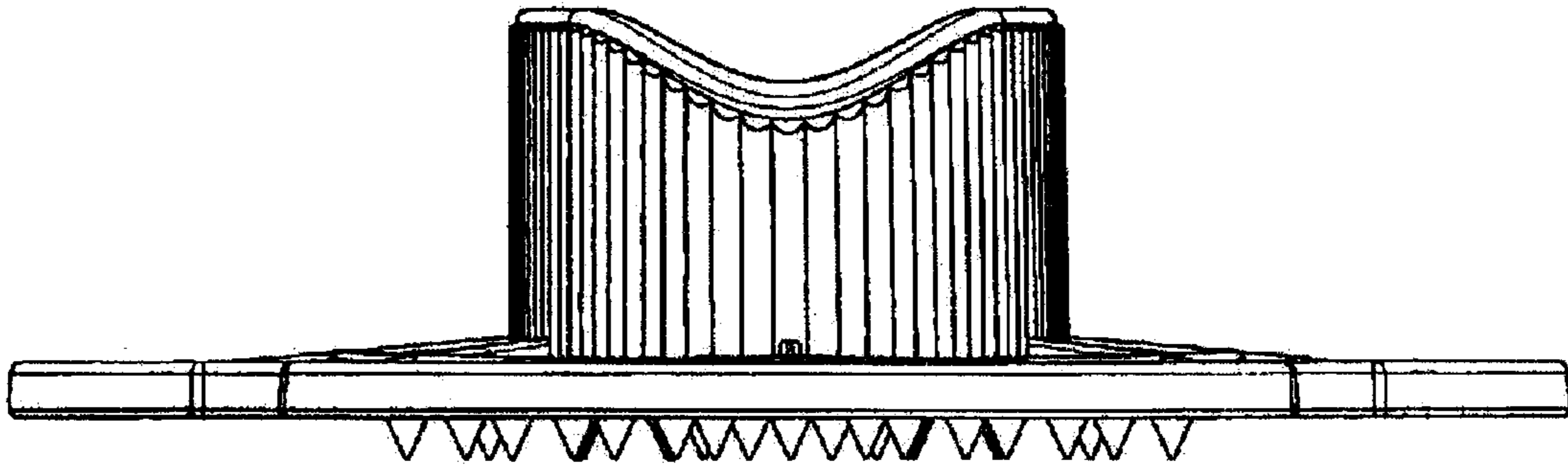


Fig. 6

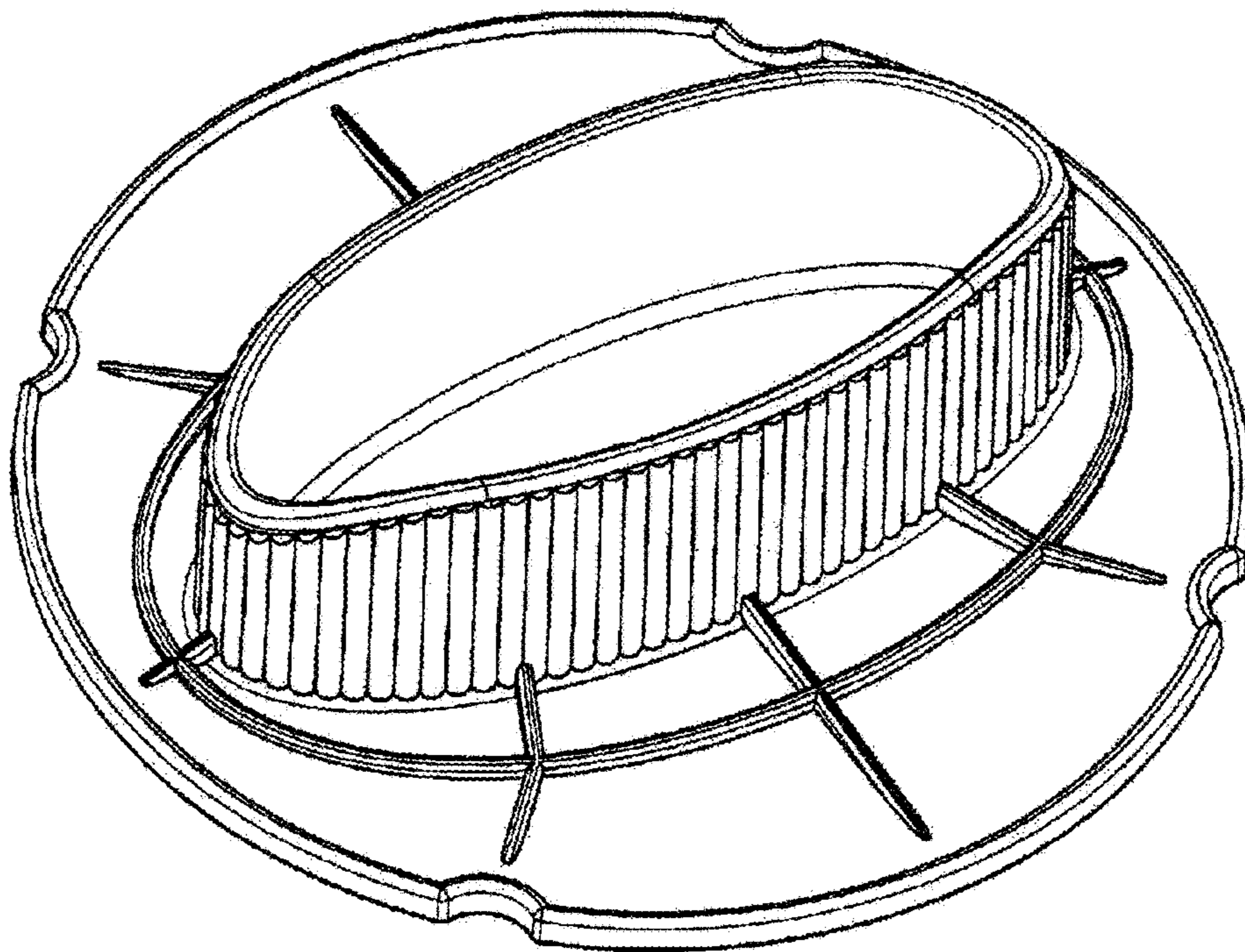


Fig. 7

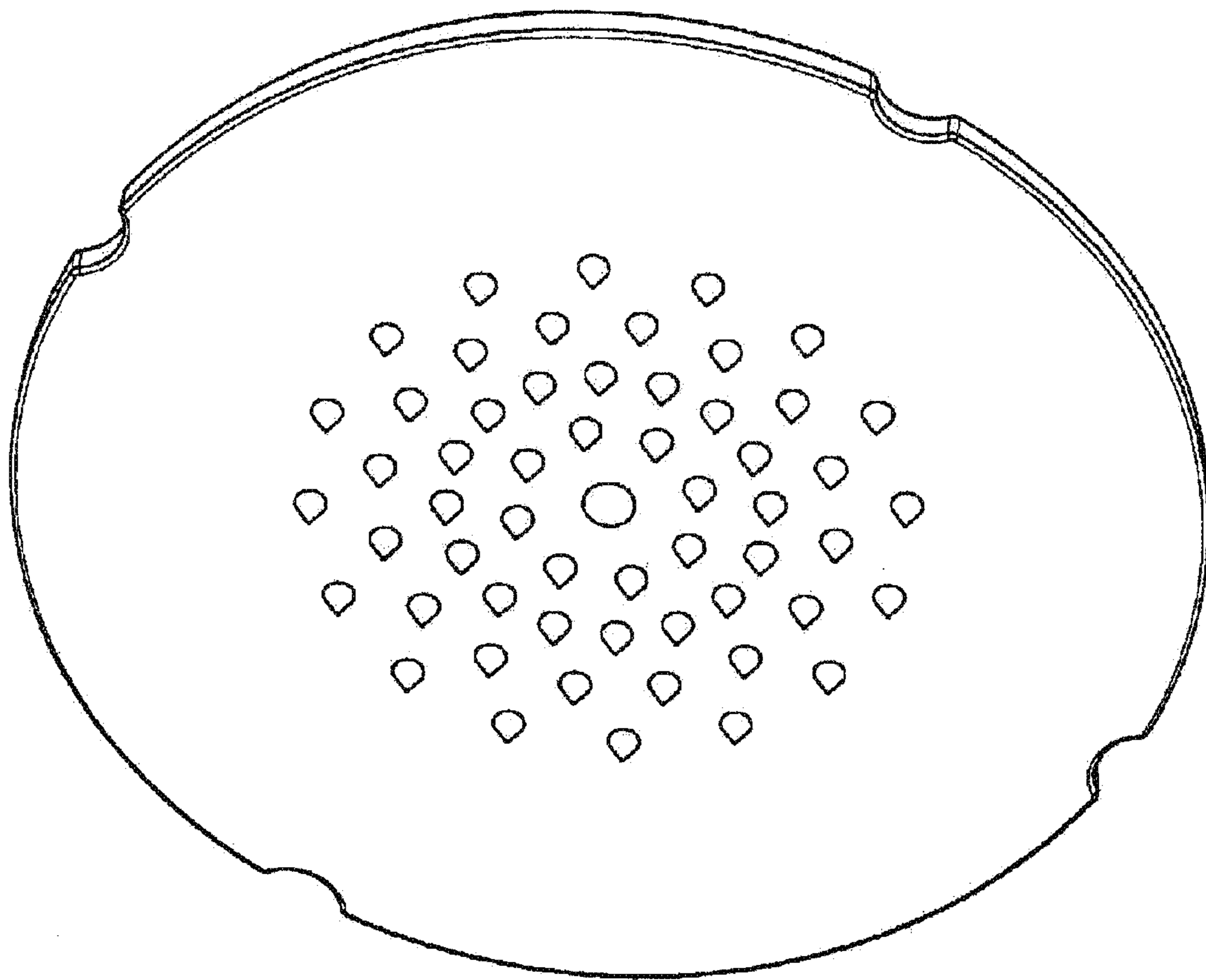


Fig. 8