



US00D778688S

(12) **United States Design Patent** (10) **Patent No.:** **US D778,688 S**  
**Mayo** (45) **Date of Patent:** **\*\* Feb. 14, 2017**

(54) **DRINK COASTER FROM STRAWS**  
(71) Applicant: **Joyce R. Mayo**, Riverside, CA (US)  
(72) Inventor: **Joyce R. Mayo**, Riverside, CA (US)  
(\*\*) Term: **14 Years**  
(21) Appl. No.: **29/522,978**  
(22) Filed: **Apr. 6, 2015**  
(51) **LOC (10) Cl.** ..... **07-06**  
(52) **U.S. Cl.**  
USPC ..... **D7/624.1**  
(58) **Field of Classification Search**  
USPC ..... D7/601, 602, 619.1, 620, 701, 708.1,  
D7/388, 550.1, 554.1, 554.3, 554.4,  
D7/624.1, 630; D3/202, 229; D12/419,  
D12/420; 220/737; 228/309.1, 310, 311.2,  
228/313; 297/188.14, 188.18  
CPC ..... A47B 55/00; A47B 55/02; A47B 73/00;  
A47B 73/002; A47B 73/004; A47B  
73/006; A47B 73/008; A47B  
69/00; A47G 23/0266; B65D  
81/18; B65D 81/3876; B65D 81/3886  
See application file for complete search history.

(56) **References Cited**  
U.S. PATENT DOCUMENTS  
2,680,931 A 6/1954 Champion  
3,040,472 A 6/1962 Miller  
D229,655 S 12/1973 Gunnar Cyren  
D241,802 S \* 10/1976 Beaubian ..... D7/359  
D242,554 S 11/1976 Flanagan  
D286,361 S 10/1986 Zieff  
D312,028 S 11/1990 Pinette, Jr.  
D312,191 S 11/1990 Pinette, Jr.  
5,000,413 A 3/1991 Kawashima

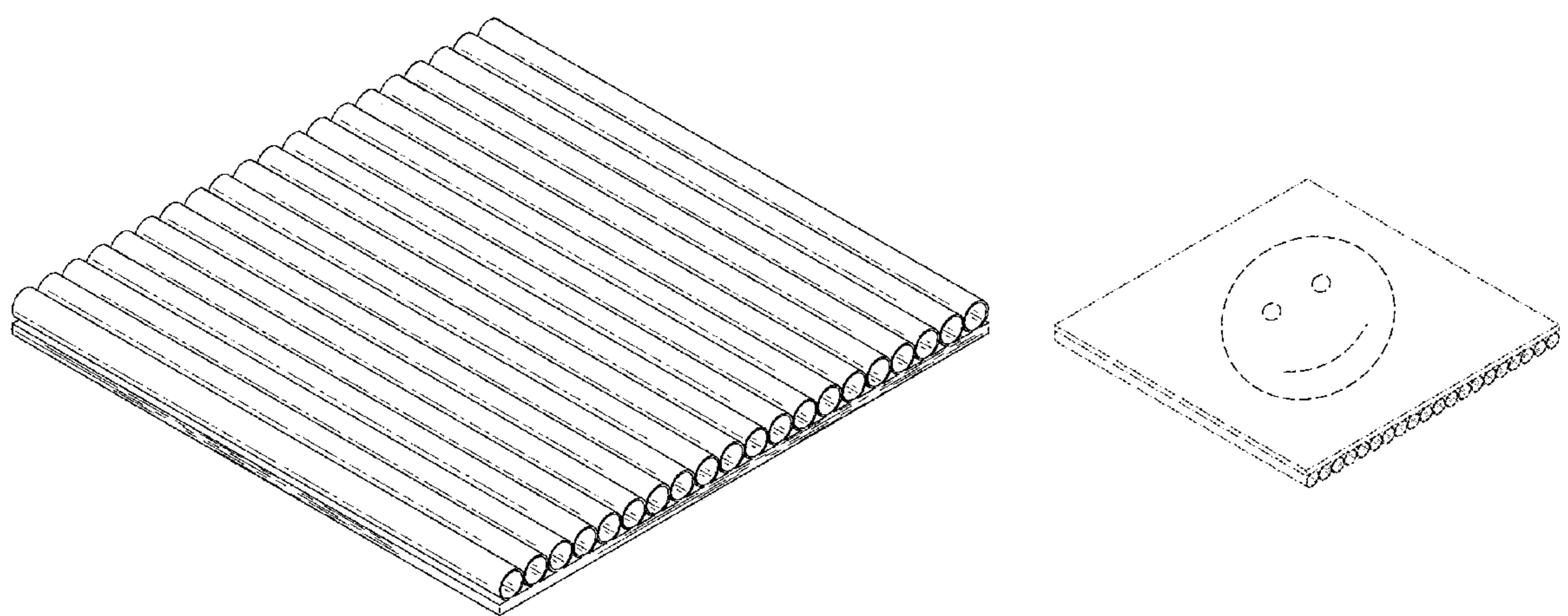
D316,014 S 4/1991 Pinette, Jr.  
D316,501 S 4/1991 Pinette, Jr.  
D355,100 S 2/1995 Goodman et al.  
D369,281 S 4/1996 Cowell  
D418,721 S \* 1/2000 Goodman ..... D7/624.1  
D439,805 S 4/2001 Krohn  
D508,368 S \* 8/2005 Lion ..... D7/388  
D571,608 S \* 6/2008 Yeung ..... D7/388  
D573,402 S \* 7/2008 Goodman ..... D7/388  
D580,217 S \* 11/2008 Goodman ..... D7/388  
D581,726 S \* 12/2008 Shamon ..... D7/387  
D602,733 S \* 10/2009 Huber ..... D7/388

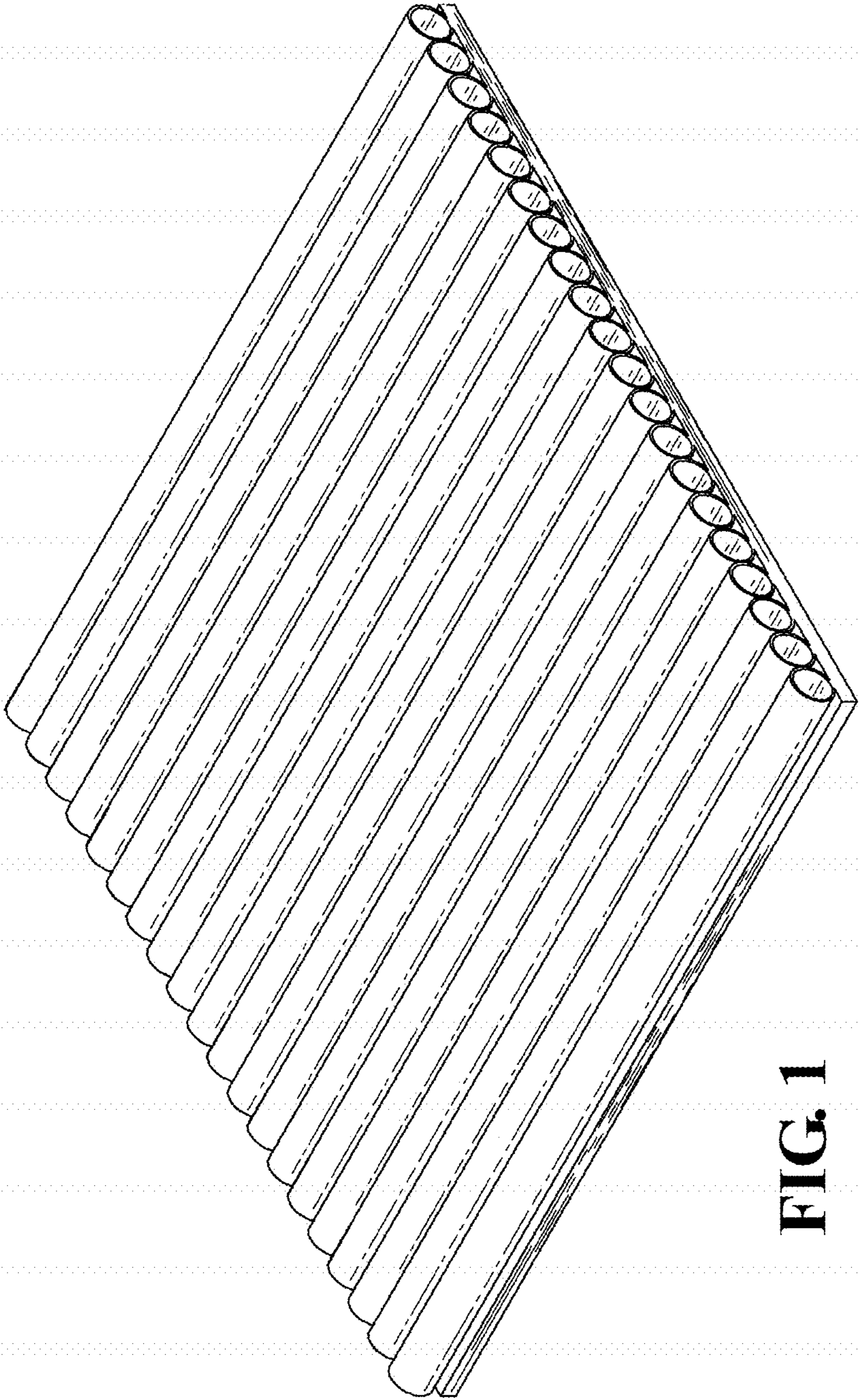
\* cited by examiner  
*Primary Examiner* — Keli L Hill  
(74) *Attorney, Agent, or Firm* — Kirk A. Buhler; Buhler & Associates

(57) **CLAIM**  
The ornamental design for a drink coaster from straws, as shown and described.

**DESCRIPTION**  
FIG. 1 is a top perspective view for a drink coaster from straws showing my new design;  
FIG. 2 is a front side view thereof;  
FIG. 3 is a back side view thereof;  
FIG. 4 is a left side view thereof;  
FIG. 5 is a right side view thereof;  
FIG. 6 is a top side view thereof;  
FIG. 7 is a bottom perspective view thereof;  
FIG. 8 is a bottom perspective view thereof; and,  
FIG. 9 is a bottom perspective view thereof.  
The broken lines in FIGS. 7, 8 and 9 depict environmental subject matter for the invention and form no part of the claimed design.

**1 Claim, 4 Drawing Sheets**





**FIG. 1**



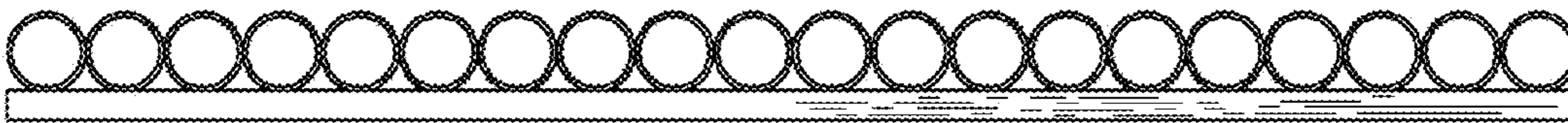
**FIG. 2**



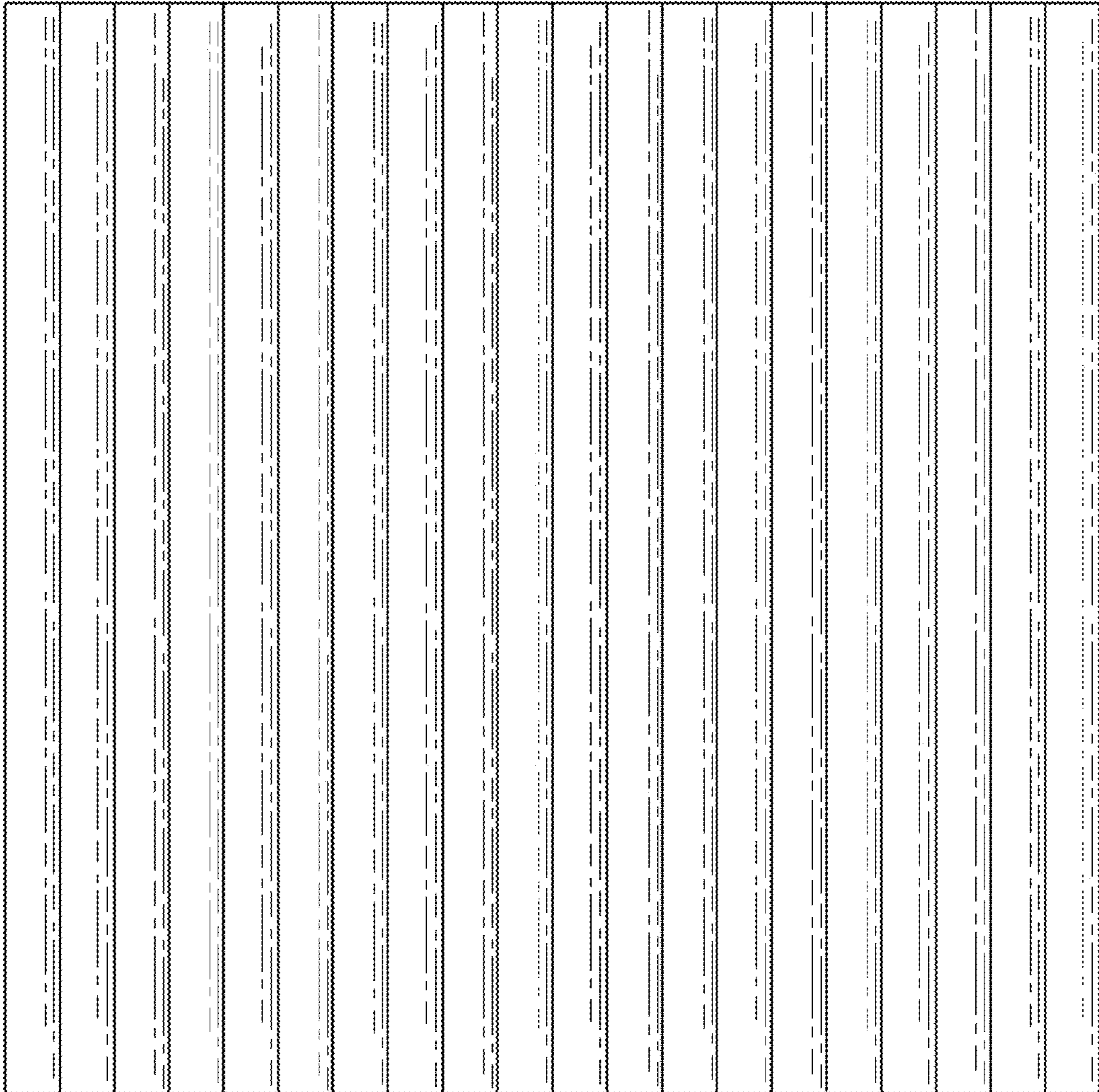
**FIG. 3**



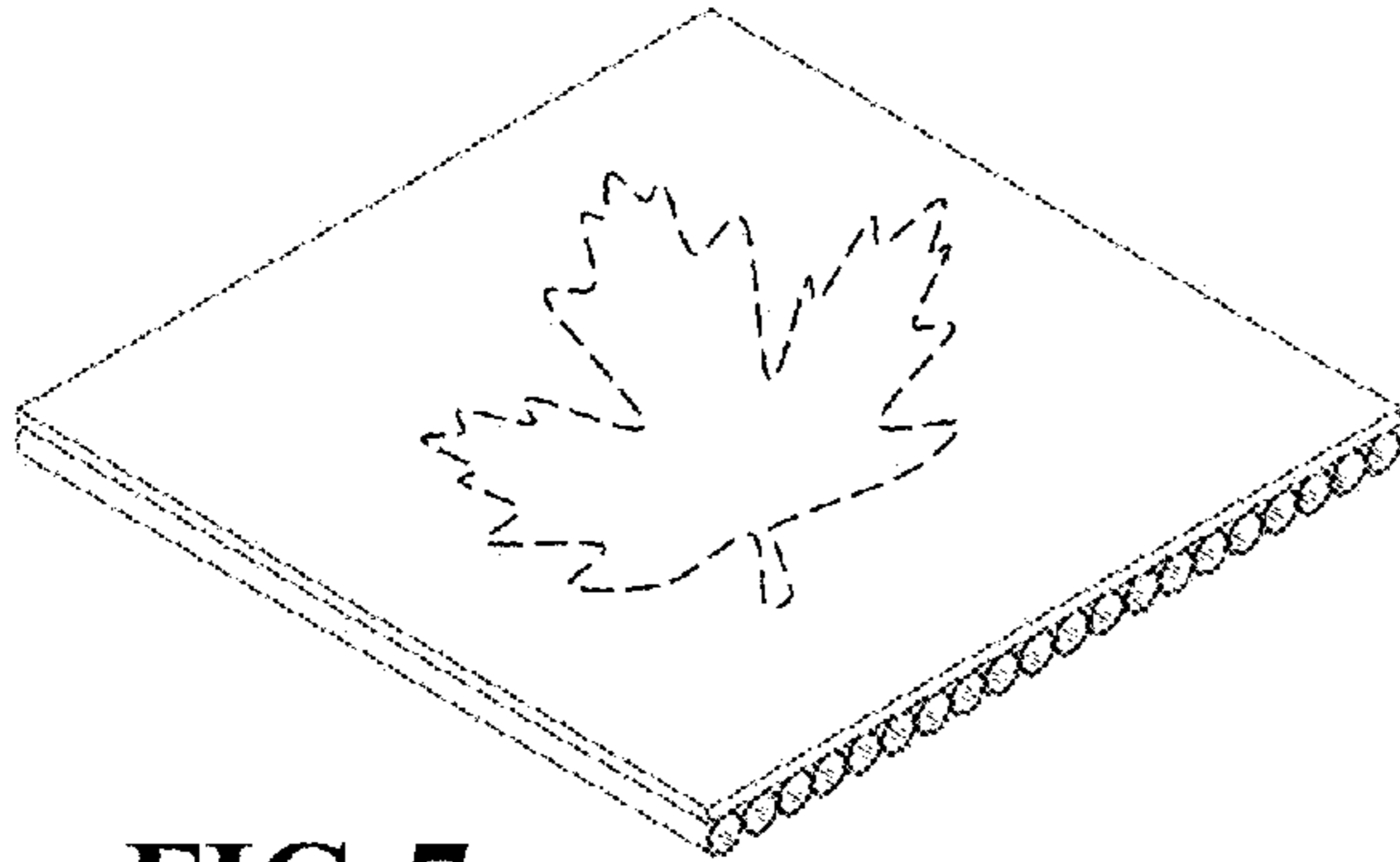
**FIG. 4**



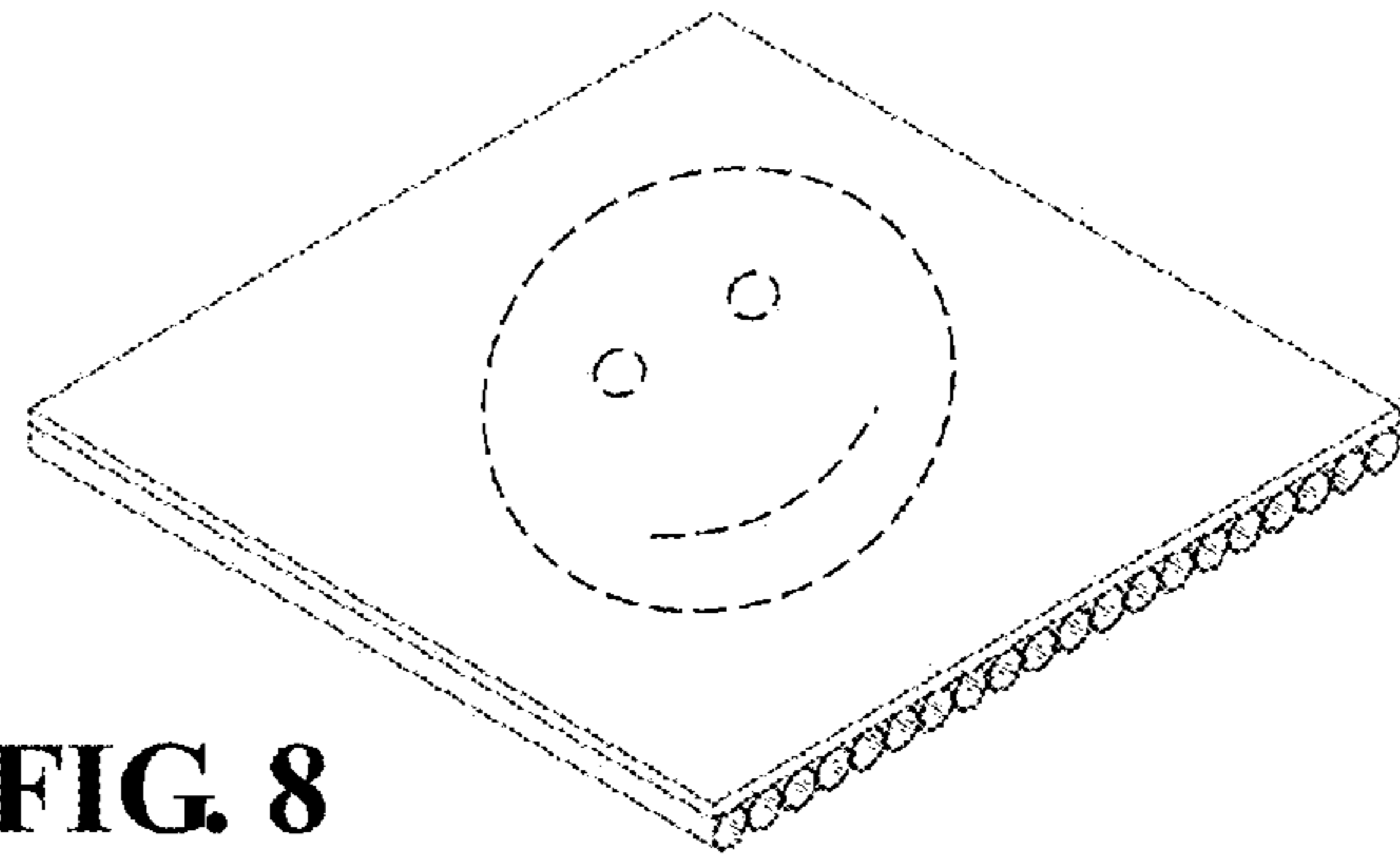
**FIG. 5**



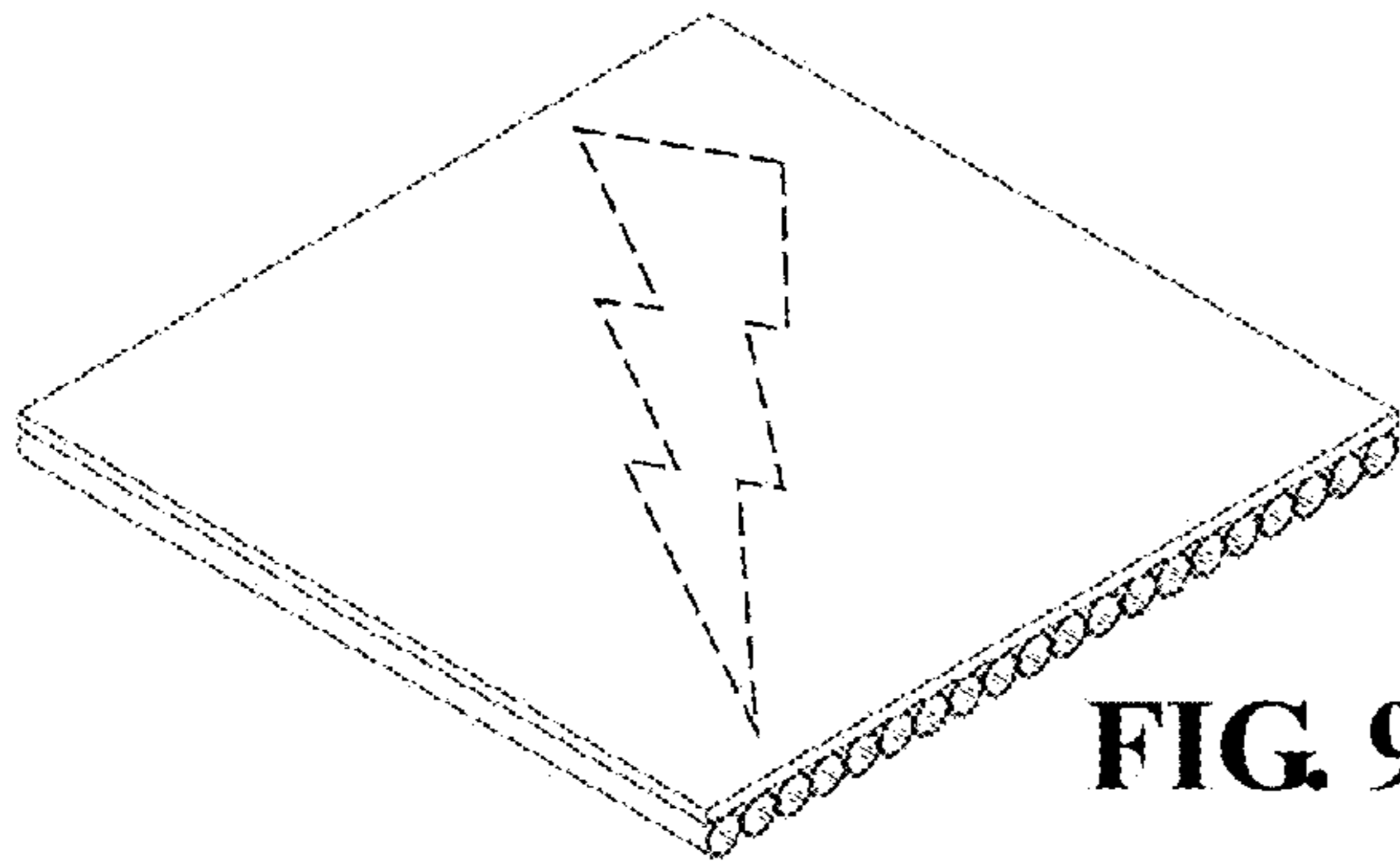
**FIG. 6**



**FIG. 7**



**FIG. 8**



**FIG. 9**