



US00D778687S

(12) **United States Design Patent** (10) **Patent No.:** **US D778,687 S**
Shuntich (45) **Date of Patent:** **** Feb. 14, 2017**

(54) **SUPERCOOLED BEVERAGE
CRYSTALLIZATION SLUSH DEVICE WITH
ILLUMINATION**

1,854,731 A 4/1932 Beran
1,984,047 A 12/1934 Thieme
2,061,427 A 11/1936 King

(Continued)

(71) Applicant: **Supercooler Technologies, Inc.**,
Maitland, FL (US)

FOREIGN PATENT DOCUMENTS

(72) Inventor: **Douglas Shuntich**, Maitland, FL (US)

KR 1020080088944 10/2008
KR 1020100018887 2/2010

(73) Assignee: **Supercooler Technologies, Inc.**,
Maitland, FL (US)

OTHER PUBLICATIONS

(**) Term: **15 Years**

Shields, New Refrigeration Tech Cools Drink in 45 Seconds,
Food & Drink International, 2014, www.fdiforum.net, 3 pages.

(Continued)

(21) Appl. No.: **29/528,365**

Primary Examiner — Marianne Pandozzi

(22) Filed: **May 28, 2015**

(74) *Attorney, Agent, or Firm* — Brian S. Steinberger;
Law Offices of Brian S. Steinberger, P.A.

(51) **LOC (10) Cl.** **07-02**

(52) **U.S. Cl.**

(57) **CLAIM**

USPC **D7/619.1**; D7/300; D7/396.2

The ornamental design for a supercooled beverage crystal-
lization slush device with illumination, as shown and
described.

(58) **Field of Classification Search**

DESCRIPTION

USPC D7/300, 309-311, 306-308, 305, 397,
D7/387, 388, 399, 355, 362, 365, 367,
D7/619.1, 624.1; 222/146.6, 185.1, 135,
222/129.3, 129.1; 99/295, 273, 304, 288,
99/279, 307, 283, 318, 300; D21/371,
D21/370; 362/101; 62/457.4

FIG. 1 is an upper front left perspective view of a super-
cooled beverage crystallization slush device with illumina-
tion showing my new design;
FIG. 2 is an upper front right perspective view of the slush
device of FIG. 1.
FIG. 3 is an upper rear right perspective view of the slush
device of FIG. 1.
FIG. 4 is an upper rear left perspective view of the slush
device of FIG. 1.
FIG. 5 is a front view of the slush device of FIG. 1.
FIG. 6 is a rear view of the slush device of FIG. 1.
FIG. 7 is a left side view of the slush device of FIG. 1.
FIG. 8 is a right side view of the slush device of FIG. 1.
FIG. 9 is an enlarged top plan view thereof; and,
FIG. 10 is an enlarged bottom plan view thereof.

CPC A47J 31/46; A47J 31/407; A47J 31/50;
A47J 31/18; A47J 31/00; A47J
27/04; A47J 31/0573; A47J 31/52; B67D
1/0085; B67D 2001/0089; G07F 13/065;
F25D 3/08; F25D 2400/28

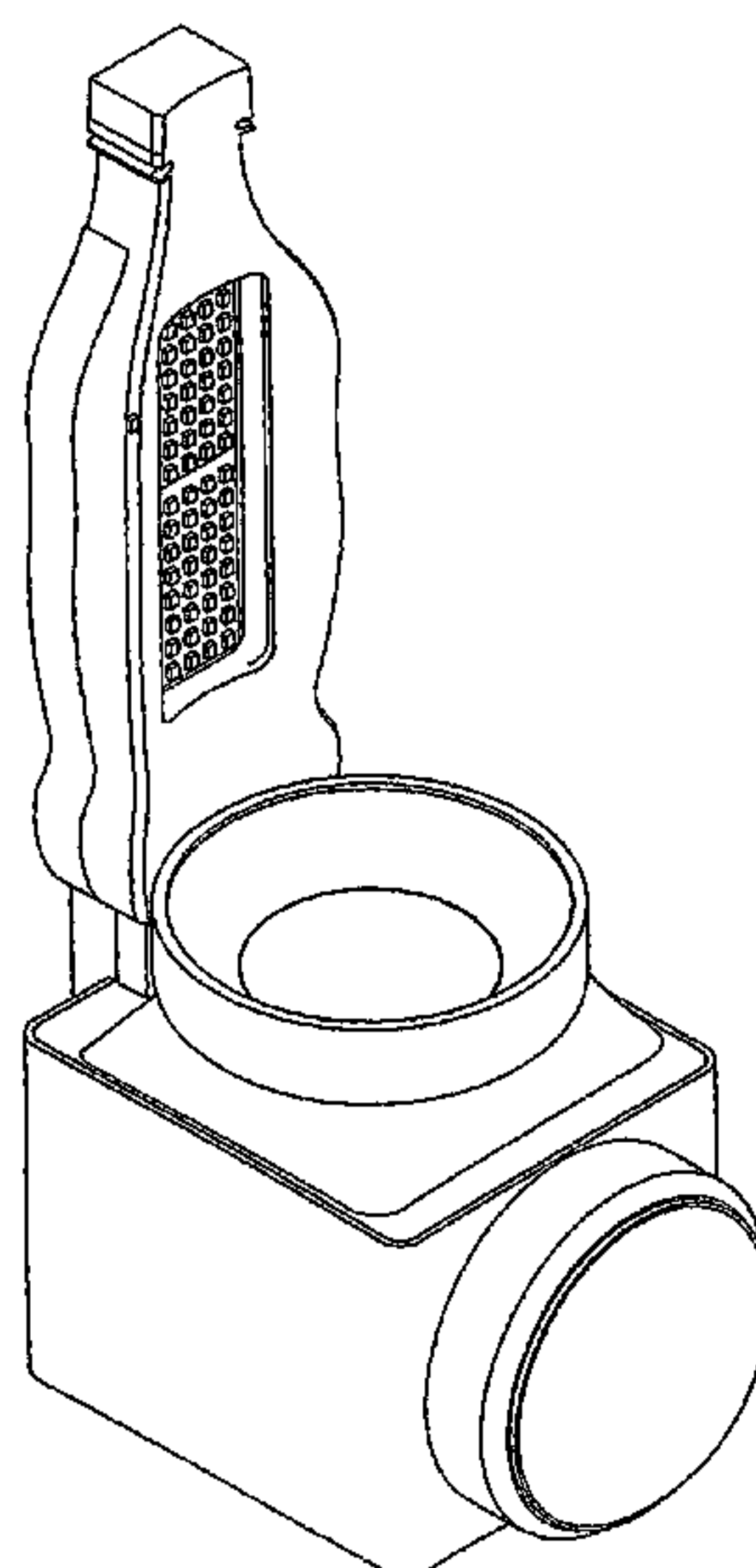
See application file for complete search history.

(56) **References Cited**

U.S. PATENT DOCUMENTS

136,632 A 3/1873 Whipple
714,415 A 11/1902 Trafford
1,827,856 A 10/1931 Pope

1 Claim, 10 Drawing Sheets



(56)

References Cited

U.S. PATENT DOCUMENTS

2,073,176 A 3/1937 Quinn
 2,094,774 A 10/1937 Dawson
 2,289,645 A 7/1942 Geistert
 2,314,586 A 3/1943 Levison
 2,405,091 A 7/1946 Culbreth
 2,446,614 A 8/1948 Sherick
 2,629,229 A 2/1953 Hull
 2,764,489 A 9/1956 Veazey
 2,990,624 A 7/1961 Granath
 3,065,553 A 11/1962 Olin
 D198,488 S * 6/1964 Reis D19/75
 3,284,991 A 11/1966 Ploeger
 3,401,858 A * 9/1968 White A47G 19/06
 206/561
 3,434,410 A 3/1969 Galle
 3,453,083 A 7/1969 Beerli
 3,718,485 A 2/1973 Lankford
 3,813,928 A 6/1974 Anderson
 3,860,166 A 1/1975 Anderson
 3,915,285 A 10/1975 Lindquist
 3,987,211 A 10/1976 Dunn
 4,164,851 A 8/1979 Bryant
 4,172,365 A 10/1979 McClintock
 4,336,574 A * 6/1982 Goodman A47G 23/0309
 248/346.11
 4,493,156 A 1/1985 Siegmann
 4,549,409 A 10/1985 Smith
 4,580,405 A 4/1986 Cretzmeyer
 D293,758 S * 1/1988 Balisteri D7/300
 4,736,600 A 4/1988 Brown
 4,785,959 A * 11/1988 Kleiner A47G 23/0225
 206/217
 4,825,665 A 5/1989 Micallef
 4,979,994 A 12/1990 Dussault
 5,269,156 A 12/1993 Van De Velde
 5,282,368 A 2/1994 Ordoukhanian
 5,477,623 A 12/1995 Tomizawa
 5,505,054 A 4/1996 Loibl
 5,653,123 A 8/1997 Handlin
 5,695,795 A 12/1997 Murray
 D392,514 S * 3/1998 Steinfels D7/624.1
 5,939,120 A 8/1999 Bogue
 5,966,964 A 10/1999 Pattee
 D449,763 S * 10/2001 Harris, Jr. D7/307
 6,314,751 B1 11/2001 Gjersvik
 D455,607 S * 4/2002 Johnson D7/387
 6,413,444 B1 7/2002 Kasza
 6,543,154 B2 4/2003 Horigane
 6,662,574 B2 12/2003 Loibl
 6,691,530 B2 2/2004 Lee

6,730,341 B2 5/2004 Ludwig
 D508,719 S * 8/2005 de Haas D21/325
 6,945,069 B2 9/2005 Lee
 D540,126 S * 4/2007 Leahy D6/368
 D552,417 S * 10/2007 Ben-Shlomo D7/387
 D569,692 S * 5/2008 Zell D7/387
 D574,128 S * 8/2008 Meiry D2/898
 D614,442 S * 4/2010 Smith D7/300
 7,707,848 B2 5/2010 Loibl
 7,712,321 B2 5/2010 Kadyk
 7,874,167 B2 1/2011 Kammer
 D655,122 S * 3/2012 Bingul D7/306
 8,132,960 B2 3/2012 Zhuang
 8,549,993 B2 10/2013 Foster
 D705,607 S * 5/2014 Zorovich D7/523
 D707,497 S * 6/2014 Tello D7/620
 9,024,168 B2 5/2015 Peterson
 D749,913 S * 2/2016 Feng D7/619.1
 2002/0124576 A1 9/2002 Loibl
 2003/0192435 A1 10/2003 McNair
 2004/0103552 A1 6/2004 Rhon
 2004/0112413 A1 6/2004 Brunner
 2005/0142268 A1 6/2005 Scullion
 2005/0166768 A1 8/2005 Porat
 2006/0191086 A1 8/2006 Mourad
 2008/0134695 A1 6/2008 Loibl
 2008/0141701 A1 * 6/2008 Lewis F25D 3/08
 62/381
 2010/0058776 A1 * 3/2010 Loibl F25D 31/007
 62/3.3
 2011/0308264 A1 12/2011 Youn
 2012/0106130 A1 5/2012 Beaudette
 2013/0160987 A1 6/2013 Grigorian
 2013/0180280 A1 7/2013 Grigorian
 2014/0125577 A1 5/2014 Hoang
 2015/0112451 A1 4/2015 Dechev
 2016/0131421 A1 * 5/2016 Bogaard F25D 3/08
 62/457.4

OTHER PUBLICATIONS

Shuntich, D.J., PCT Serial No. PCT/US14/47214, International Search Report and Written Opinion, mailed Nov. 20, 2014, 18 pages.
 Ultrasonic Degassing and Defoaming of Liquids, Hielscher—Ultrasound Technology, 2015, 5 pages.
 Shuntich, Supercooler Technologies, Inc., PCT Patent Application No. PCT/US2015/034418 filed Jun. 5, 2015, Notification of Transmittal of the International Search Report and the Written Opinion of the International Searching Authority, or the Declaration mailed Sep. 14, 2015, 15 pages.

* cited by examiner

FIG. 1

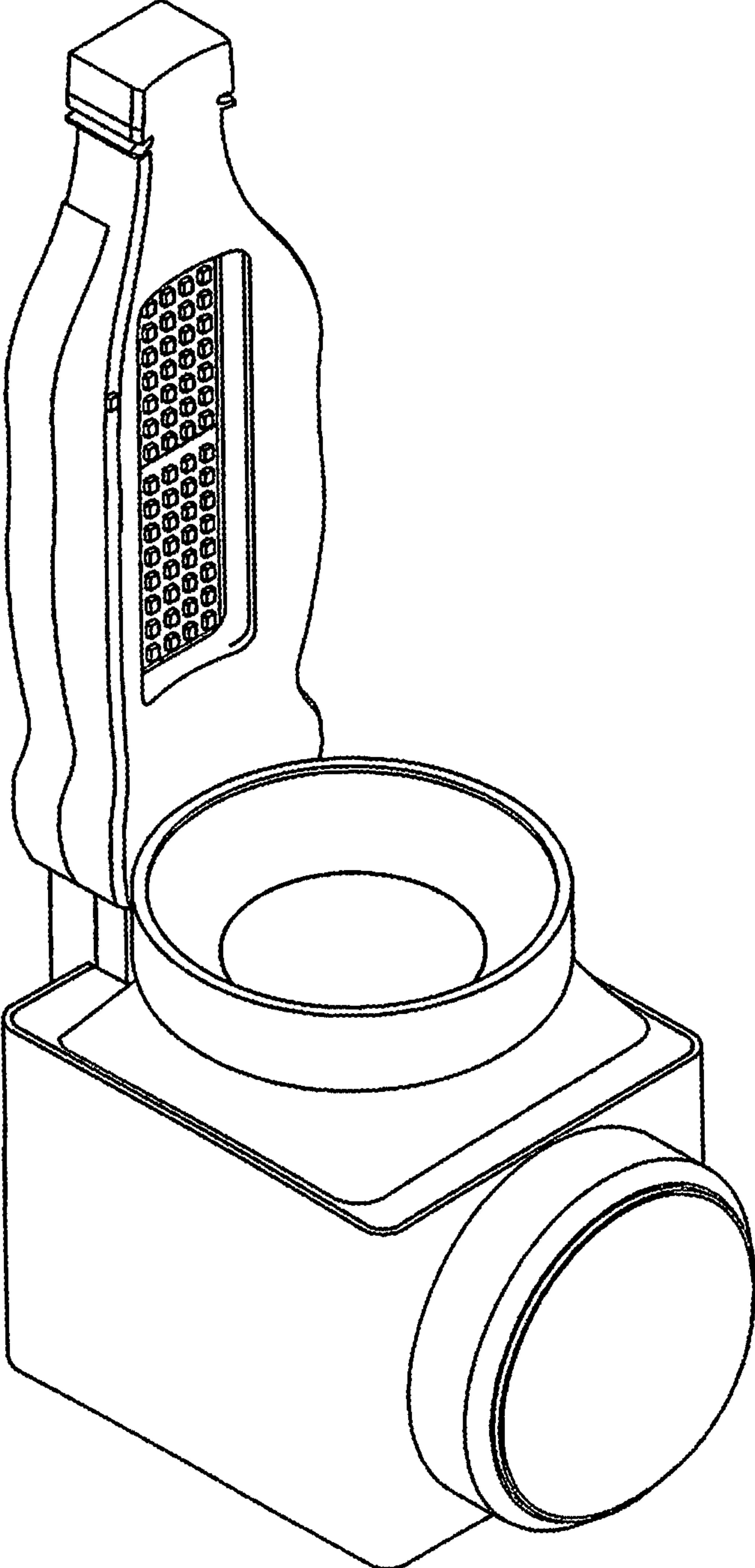


FIG. 2

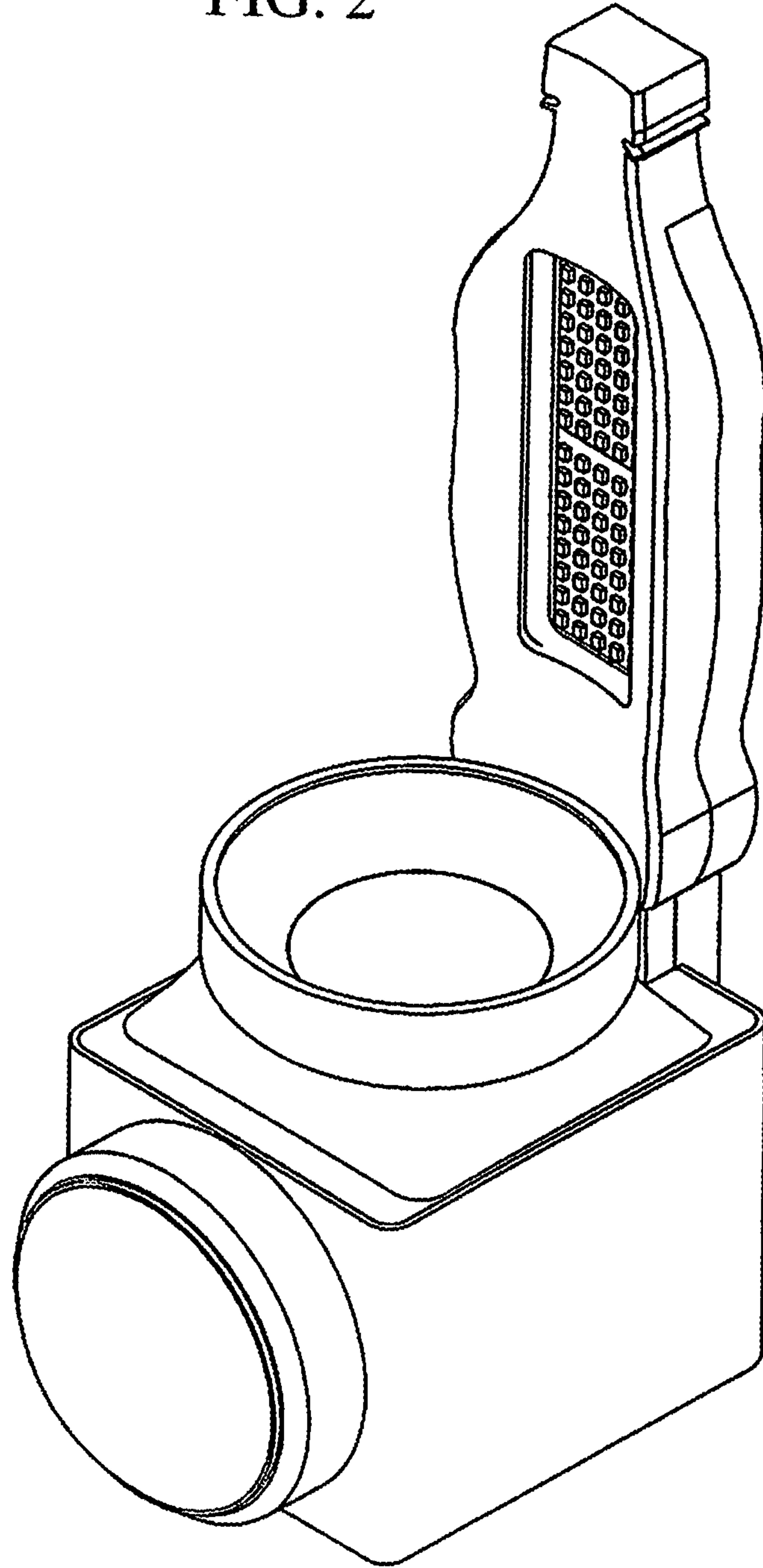


FIG. 3

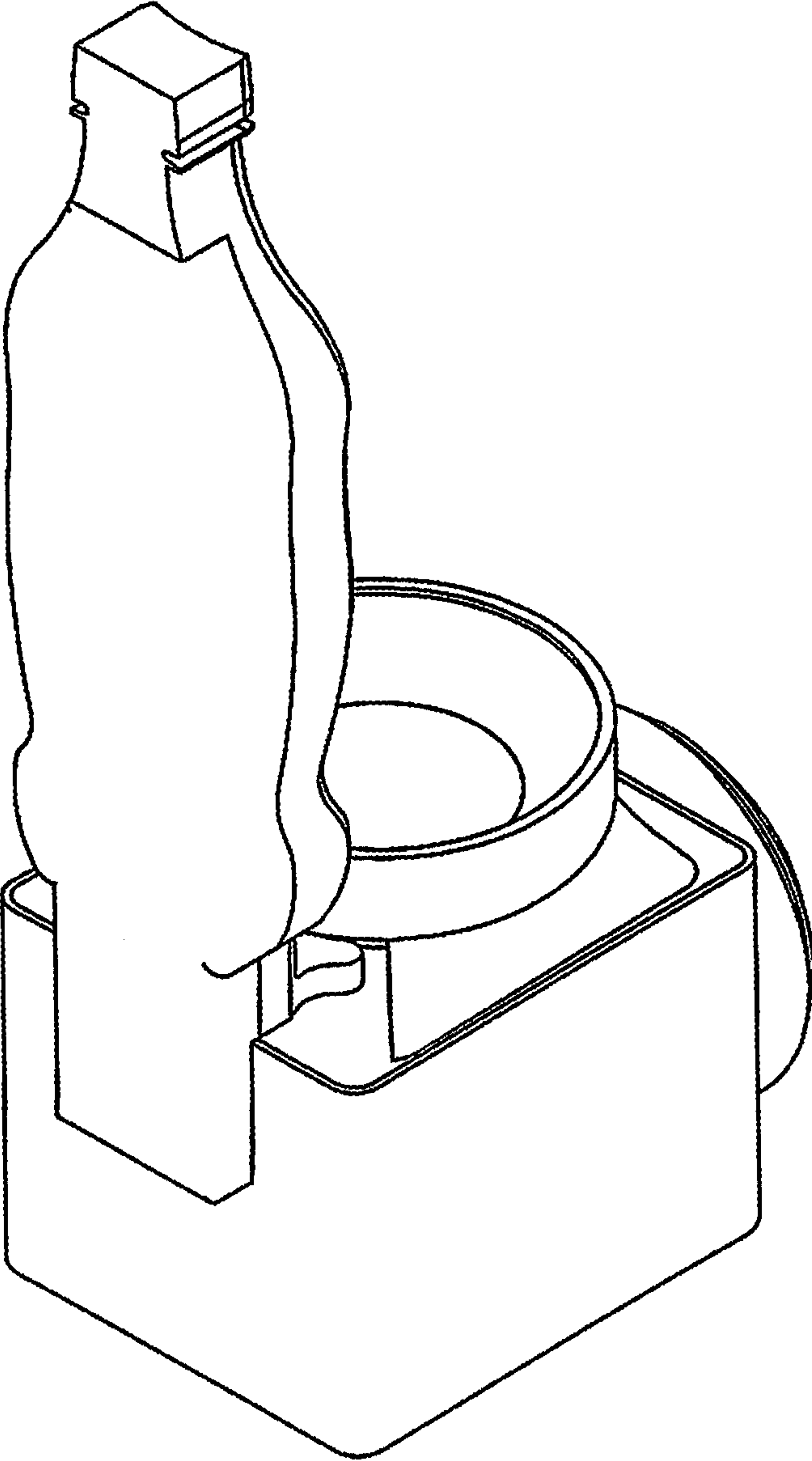


FIG. 4

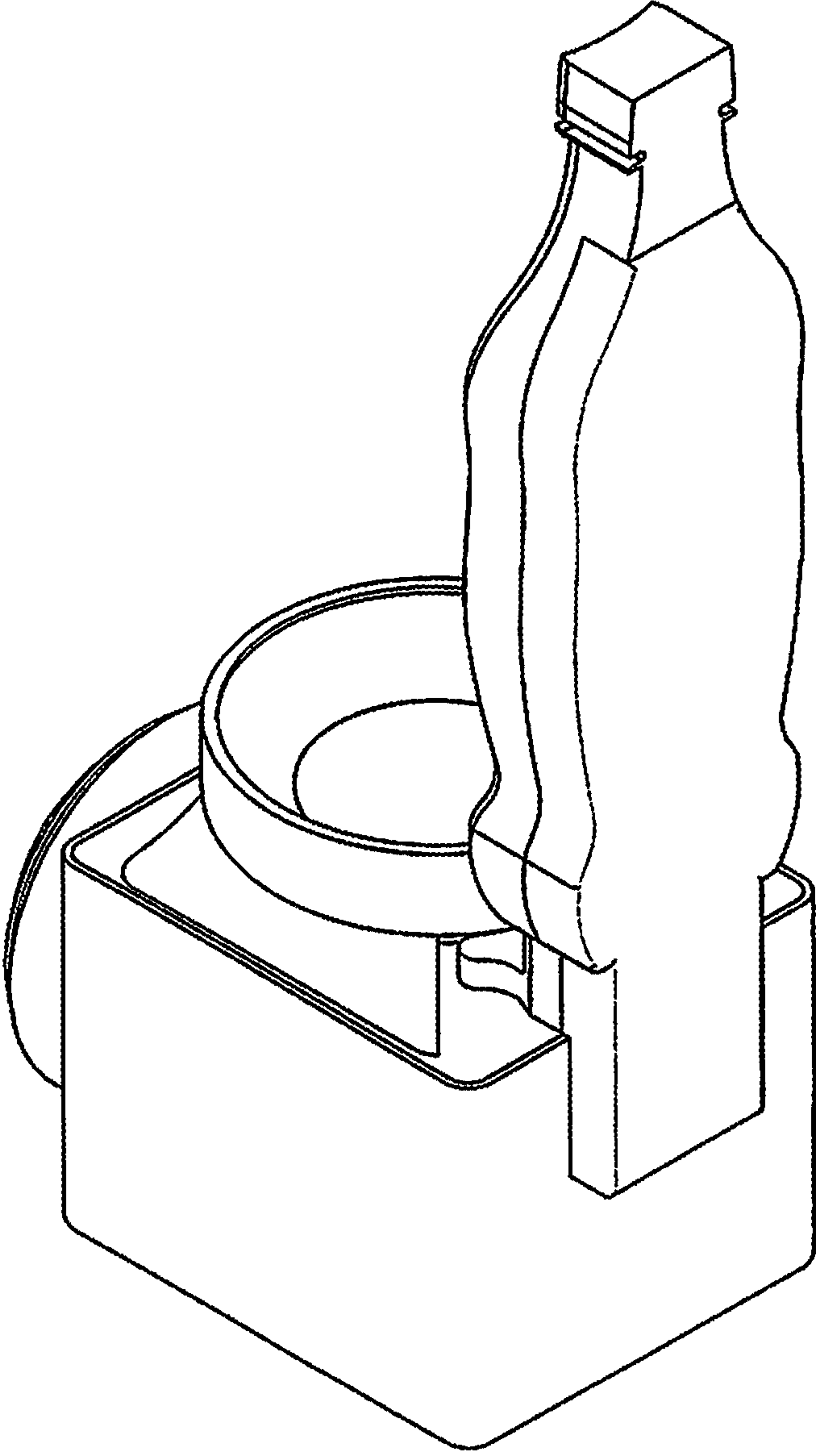


FIG. 5

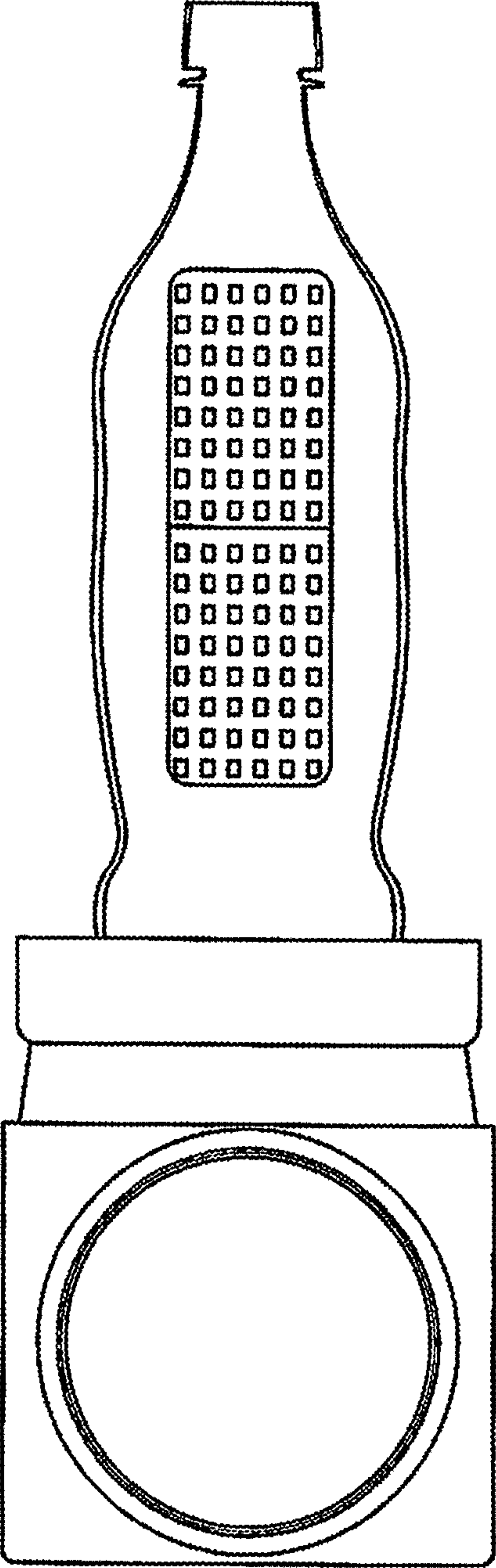


FIG. 6

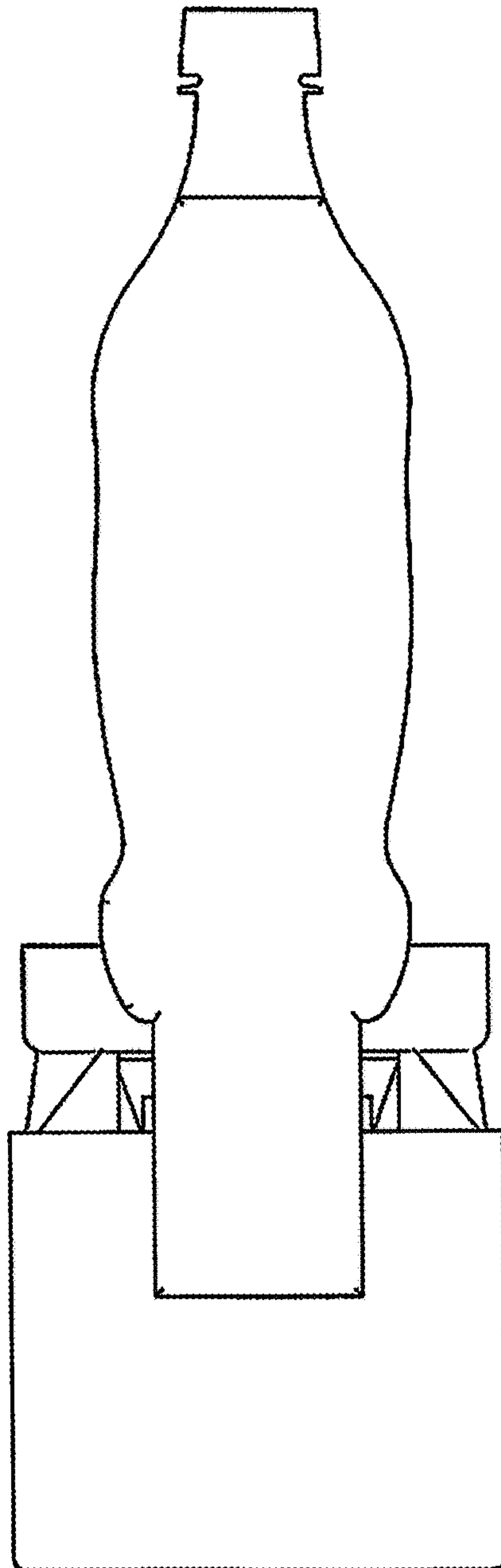


FIG. 7

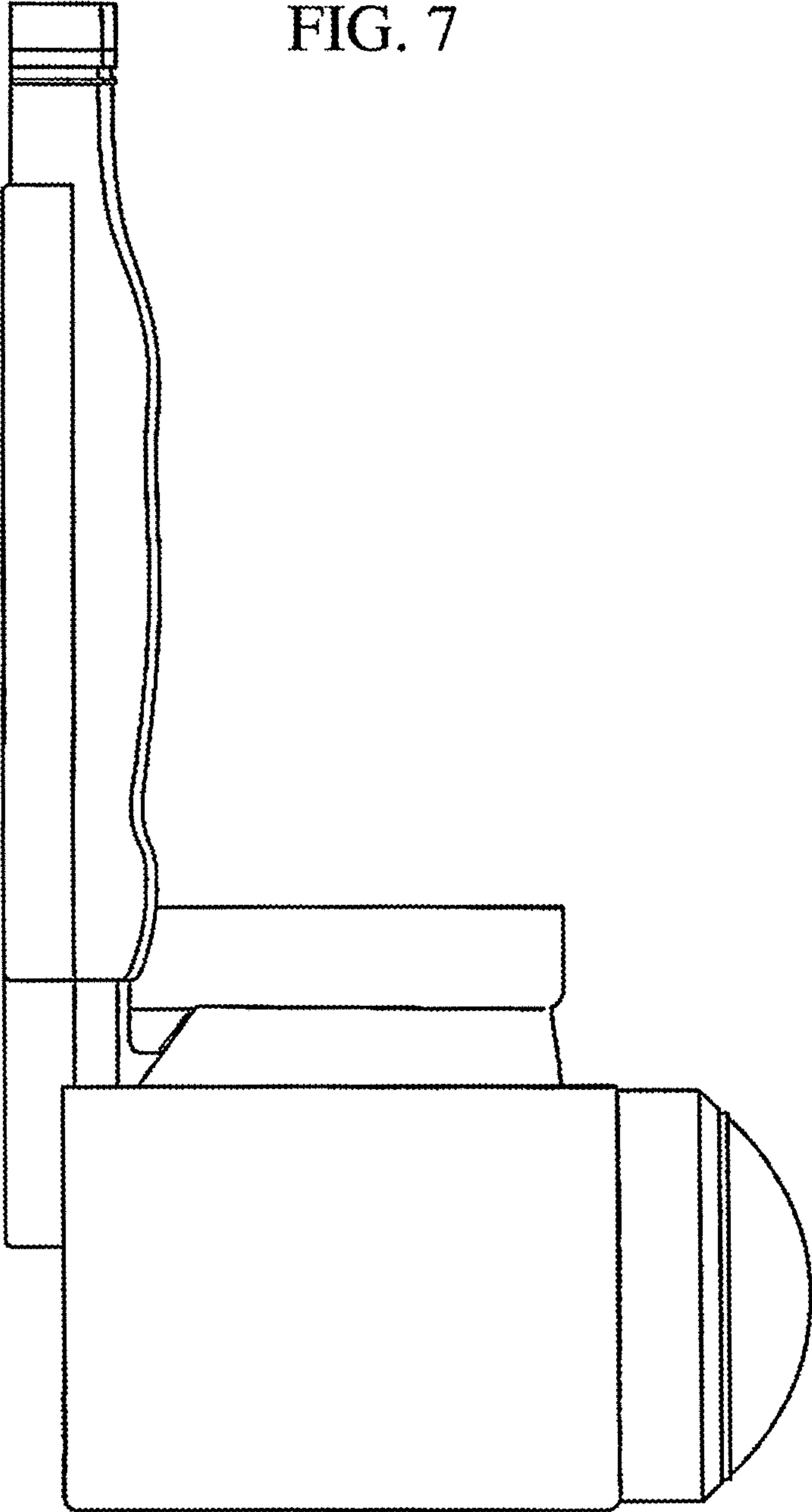


FIG. 8

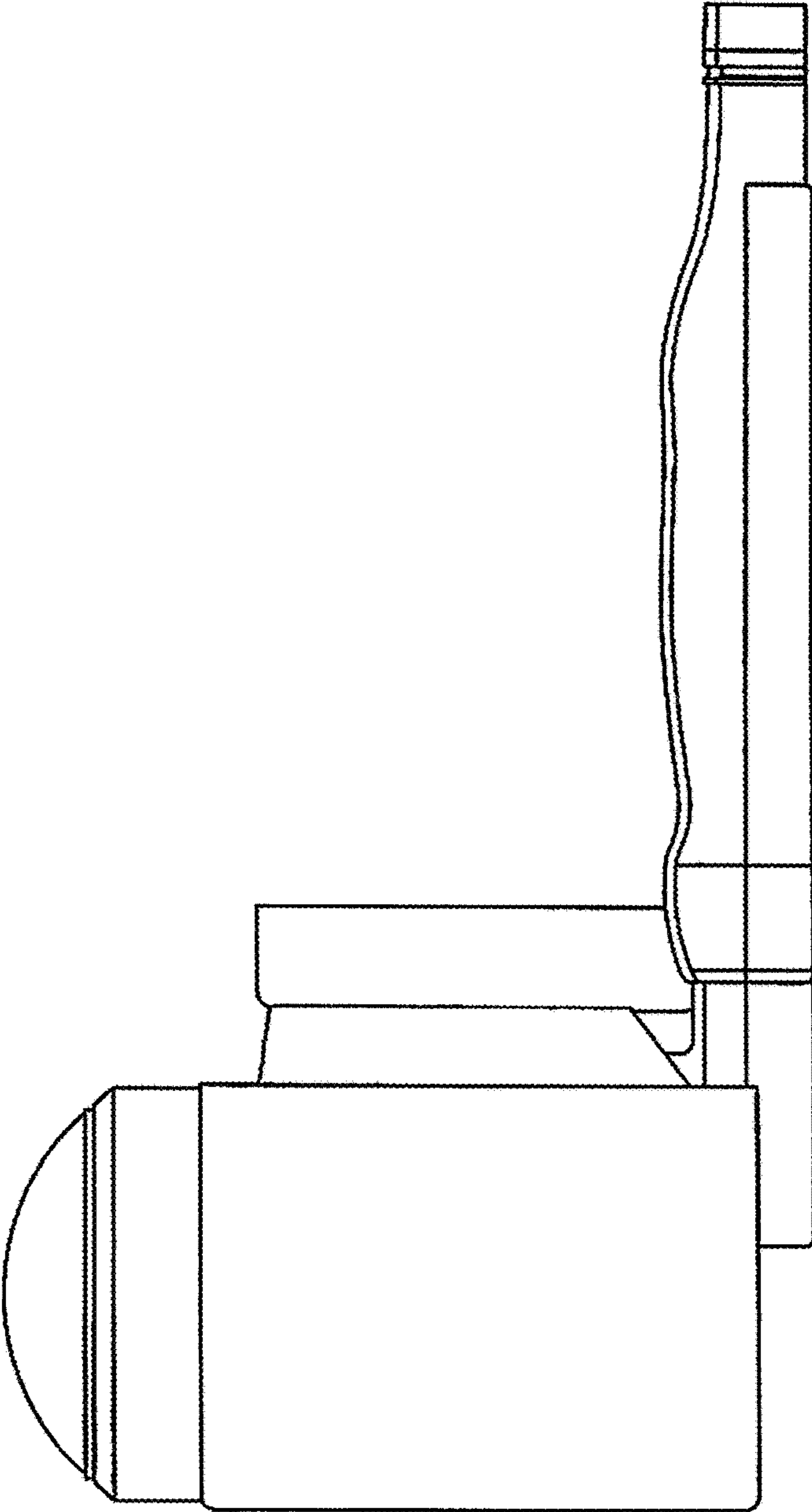


FIG. 9

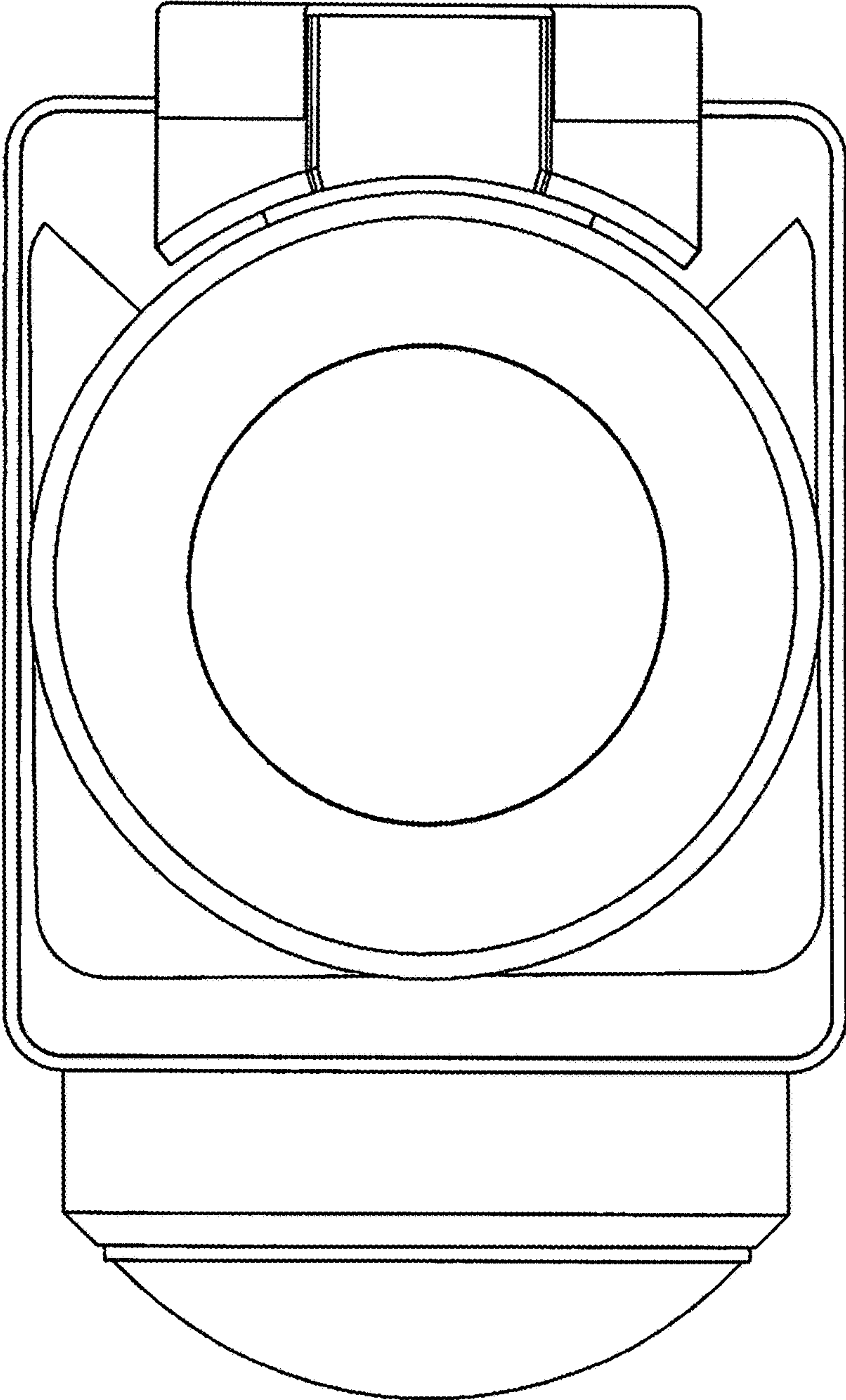


FIG. 10

