



US00D778686S

(12) **United States Design Patent** (10) **Patent No.:** **US D778,686 S**  
**Piazza et al.** (45) **Date of Patent:** **\*\* Feb. 14, 2017**

(54) **TUB COOLER WITH LID**

(71) Applicant: **The Gem Group, Inc.**, Lawrence, MA (US)

(72) Inventors: **Kimberly M. Piazza**, Windham, NH (US); **Sara E. Stump**, Somerville, MA (US); **Agnes Csilla Domotor**, Melrose, MA (US)

(73) Assignee: **The Gem Group, Inc.**, Lawrence, MA (US)

(\*\*) Term: **14 Years**

(21) Appl. No.: **29/515,415**

(22) Filed: **Jan. 22, 2015**

(51) **LOC (10) Cl.** ..... **07-01**

(52) **U.S. Cl.**  
USPC ..... **D7/605**

(58) **Field of Classification Search**  
USPC .. D7/602, 605, 606, 607, 628, 629; D3/217, D3/273, 289, 301  
CPC ..... A47F 3/04; B62B 3/00; B65D 6/00; B65D 81/38; B65D 17/165; B65D 81/3886; B65D 8/14; F25D 3/00; F25D 3/06; F25D 3/08; F25D 2331/803; F25D 2331/804; F25D 2331/805; F25D 2331/806; F25D 2331/807; F25D 2331/808; F25D 2331/809

See application file for complete search history.

(56) **References Cited**

U.S. PATENT DOCUMENTS

D407,609 S *	4/1999	Rausch	.....	D7/605
D514,893 S *	2/2006	Bellofatto, Jr.	.....	D3/301
7,147,125 B1 *	12/2006	Slovak	.....	B65D 81/3818 220/4.31
D588,451 S *	3/2009	Snedden	.....	D7/602
D634,982 S *	3/2011	Melchert	.....	D7/605

\* cited by examiner

*Primary Examiner* — Freda S Nunn

(74) *Attorney, Agent, or Firm* — Loginov & Associates, PLLC; William A. Loginov

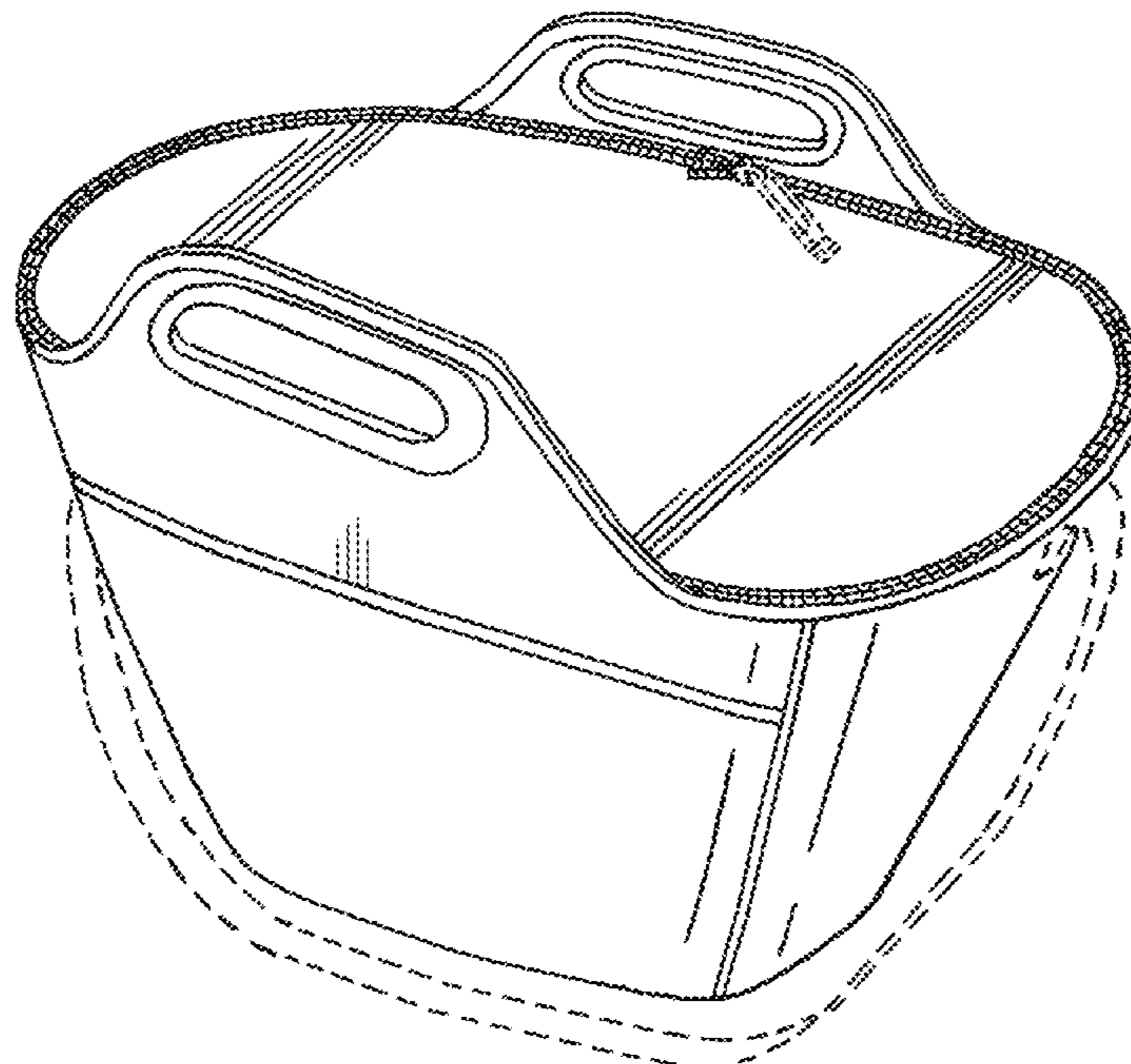
(57) **CLAIM**

The ornamental design for a tub cooler with lid, as shown.

**DESCRIPTION**

FIG. 1 is a perspective view of the tub cooler with lid; FIG. 2 is a front view of the tub cooler with lid; FIG. 3 is a rear view of the tub cooler with lid; FIG. 4 is a top view of the tub cooler with lid; FIG. 5 is a bottom view of the tub cooler with lid; FIG. 6 is a right side view of the tub cooler with lid; and, FIG. 7 is a left side view of the tub cooler with lid. Broken lines shown in the drawings represent environment only and form no part of the claimed design.

**1 Claim, 5 Drawing Sheets**



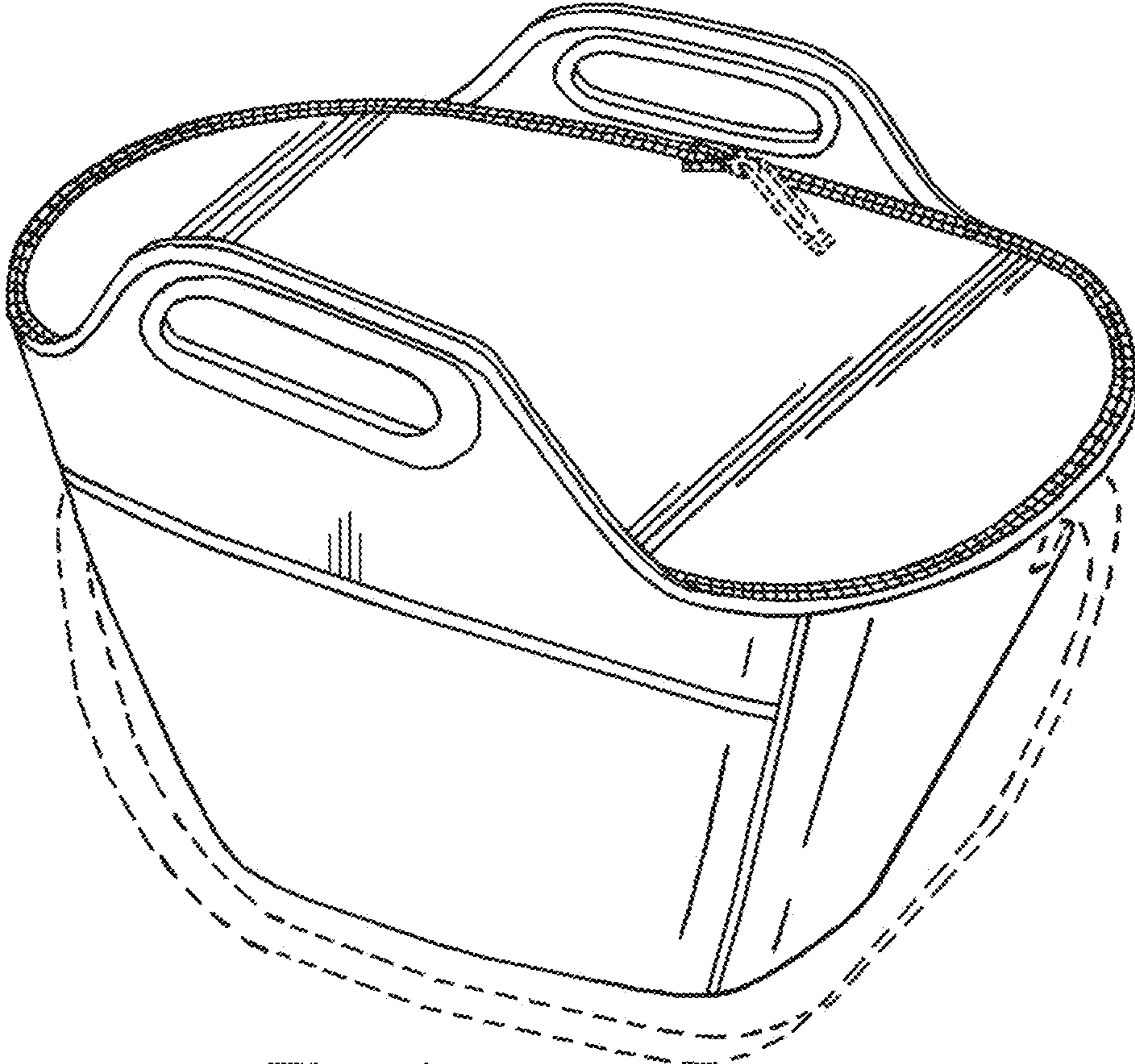


Fig. 1

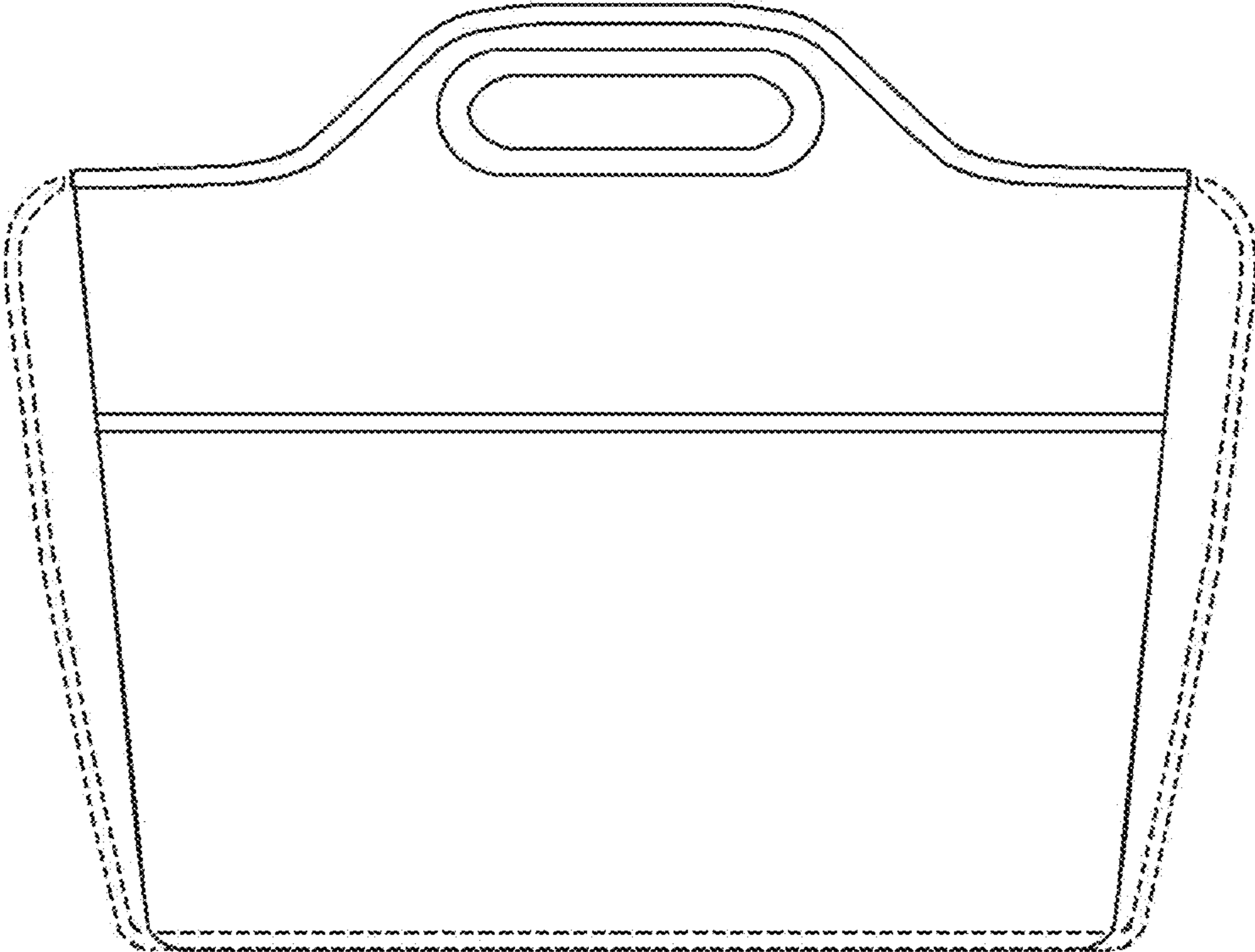


Fig. 2

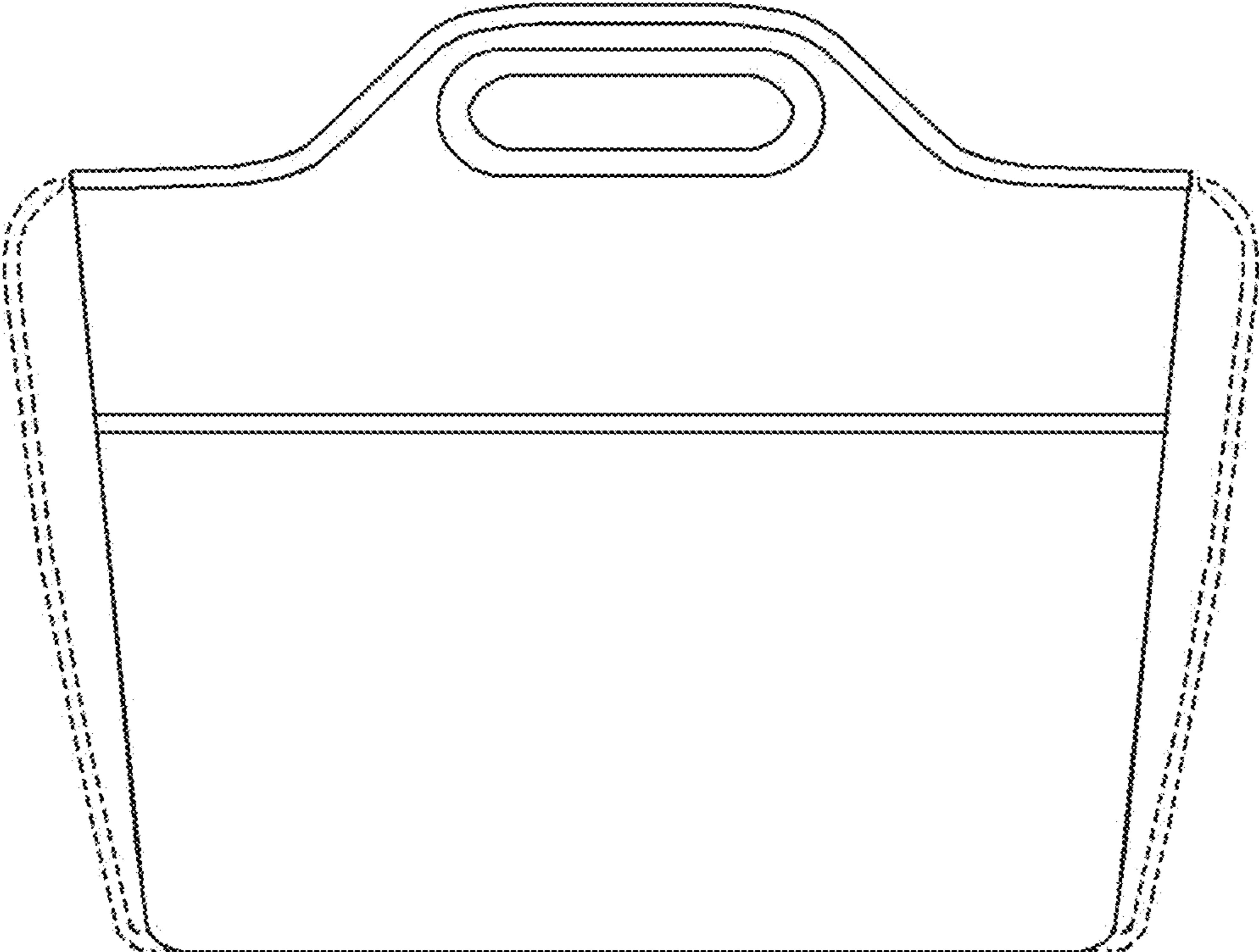


Fig. 3

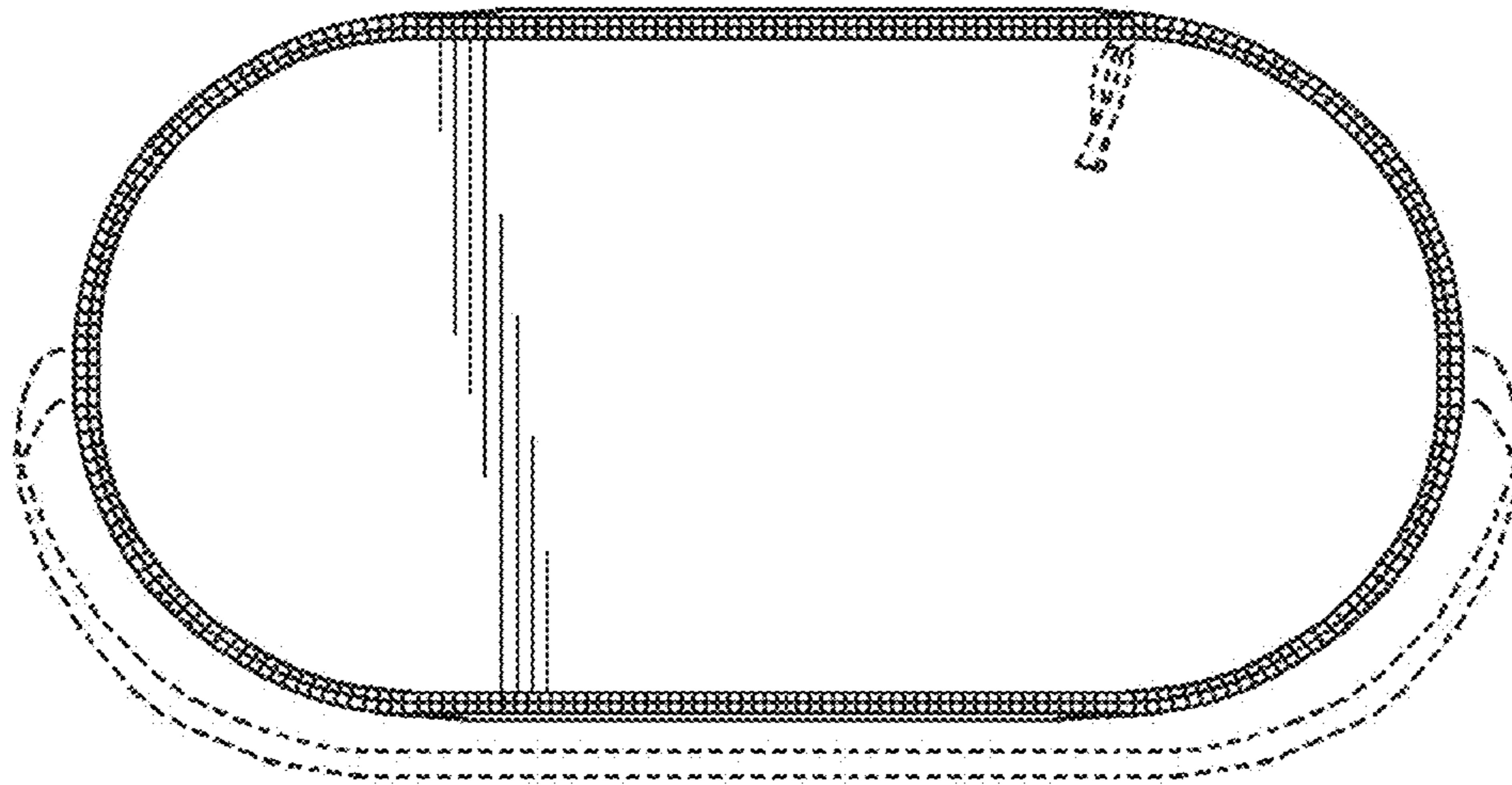


Fig. 4

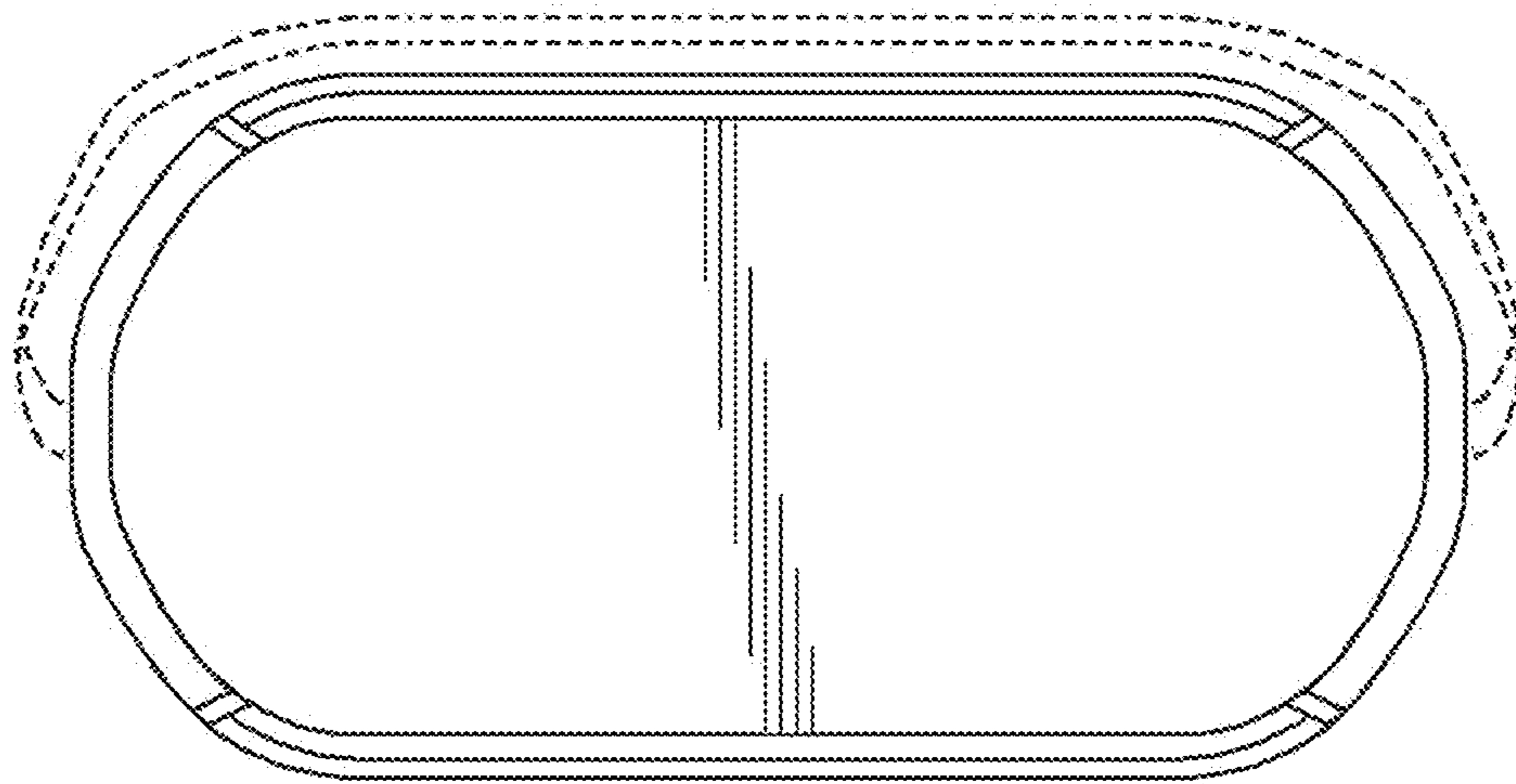


Fig. 5

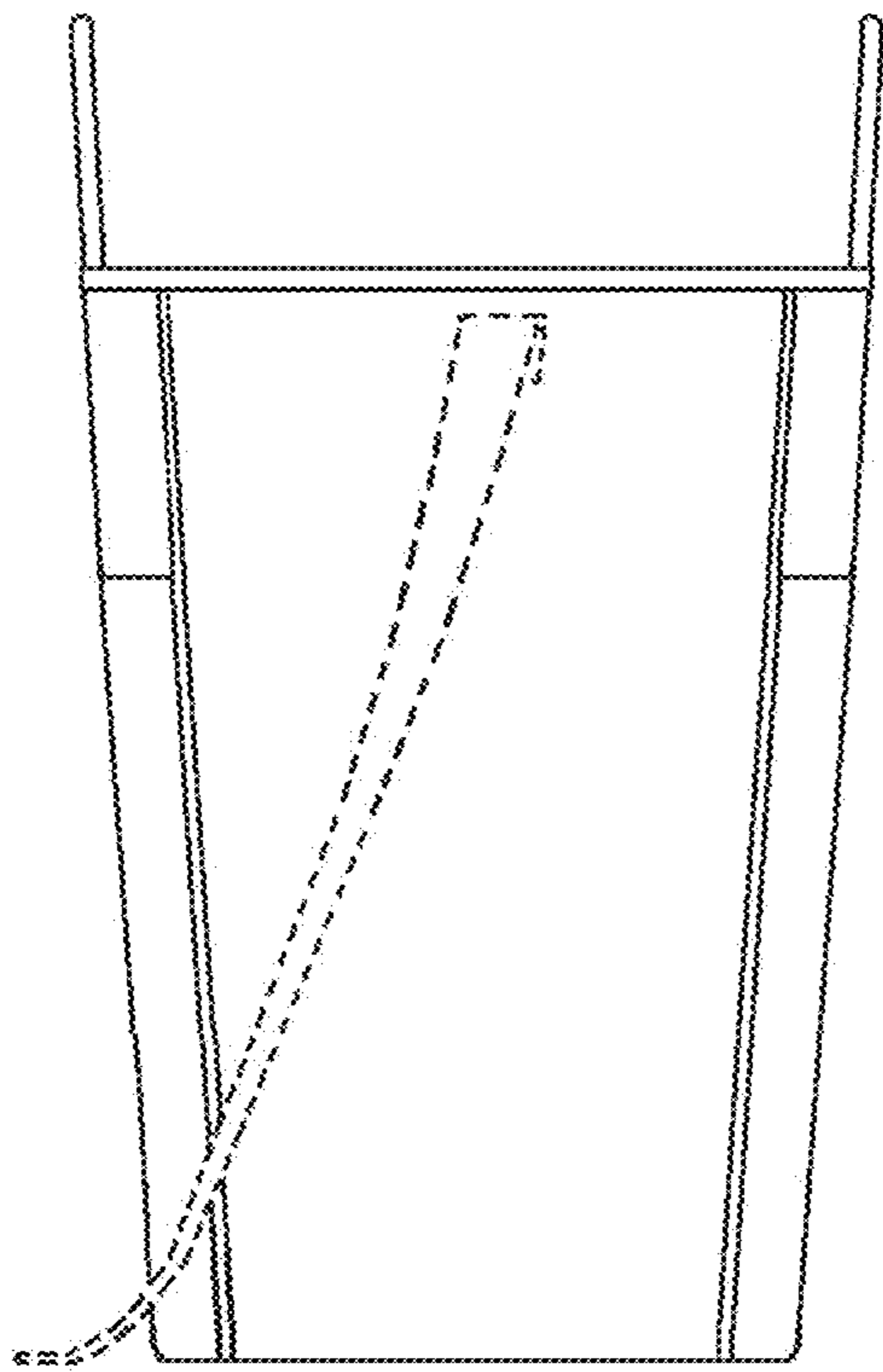


Fig. 6

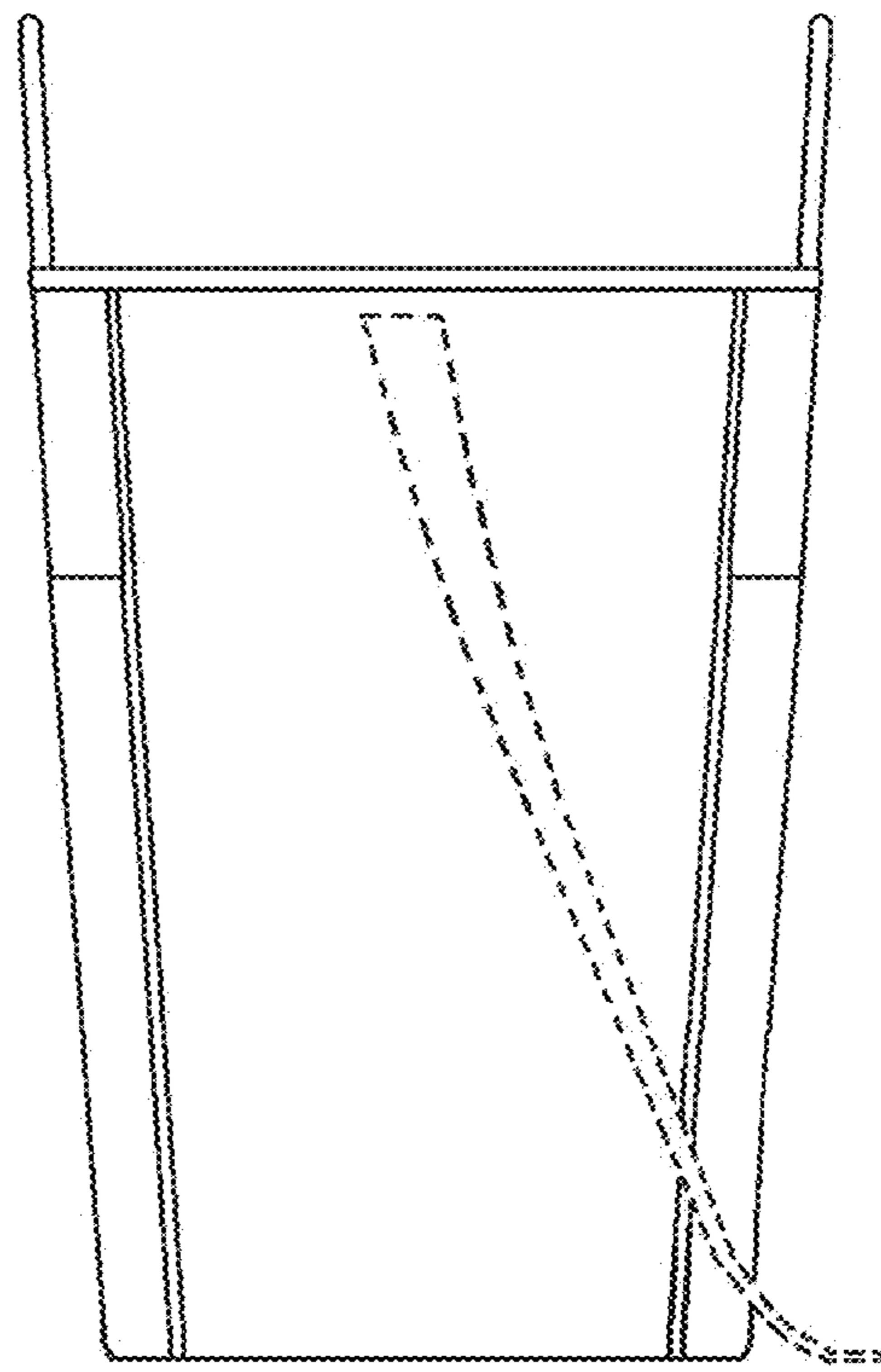


Fig. 7