



US00D778685S

(12) **United States Design Patent** (10) **Patent No.:** **US D778,685 S**
Goodman et al. (45) **Date of Patent:** **** Feb. 14, 2017**

(54) **HOLDER**

(71) Applicant: **Spectrum Diversified Designs, Inc.**,
Streetsboro, OH (US)

(72) Inventors: **Sheldon H. Goodman**, Solon, OH
(US); **Phaysouk Xayoiphonh**, Akron,
OH (US); **Jennifer K. Case**,
Middleburg Heights, OH (US)

(73) Assignee: **Spectrum Diversified Designs, LLC**,
Streetsboro, OH (US)

(**) Term: **14 Years**

(21) Appl. No.: **29/503,197**

(22) Filed: **Sep. 24, 2014**

(51) **LOC (10) Cl.** **07-01**

(52) **U.S. Cl.**
USPC **D7/601**

(58) **Field of Classification Search**
USPC D3/306; D6/676.5, 677.5, 678, 678.4,
D6/680.3; D7/505, 587, 601, 602, 609,
D7/704; 211/13.1, 41.3, 41.4, 86.01,
D7/88.01, 90.03, 211/181.1; 248/107,
248/116, 153, 175, 465.1
CPC A47B 23/00; A47B 41/06; A47D 15/00;
A45D 19/04; A47F 7/00; A47F
5/00; A47F 5/08; A47F 5/14; A47G
19/08; A47G 23/02; A47J 47/16
See application file for complete search history.

(56) **References Cited**

U.S. PATENT DOCUMENTS

D634,122 S *	3/2011	Goodman	D3/306
D636,999 S *	5/2011	Goodman	D3/306
D652,689 S *	1/2012	Goodman	D7/637
D667,632 S *	9/2012	Goodman	D3/306
D747,101 S *	1/2016	Goodman	D3/304
D747,158 S *	1/2016	Goodman	D7/631

* cited by examiner

Primary Examiner — Susan Bennett Hattan

Assistant Examiner — S. Bryan Reinholdt, Jr.

(74) *Attorney, Agent, or Firm* — Renner, Otto, Boisselle
& Sklar, LLP

(57) **CLAIM**

The ornamental design for a holder, as shown and described.

DESCRIPTION

FIG. 1 is a perspective view of a holder showing our new design.

FIG. 2 is a front view thereof, a rear view being a mirror image of the front view.

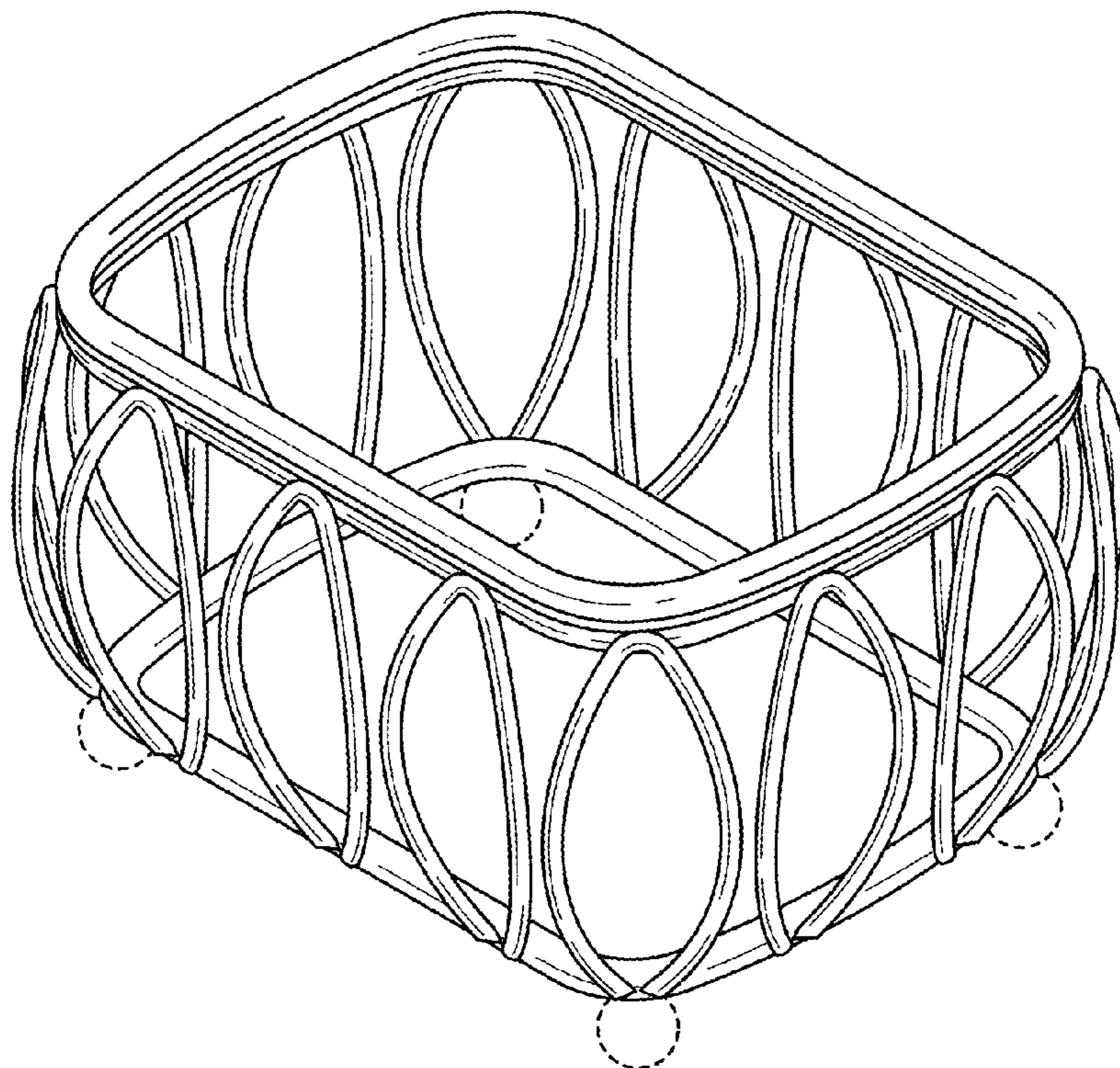
FIG. 3 is a left side view thereof, a right side view being a mirror image of the left side view.

FIG. 4 is a top view thereof; and,

FIG. 5 is a bottom view thereof.

The broken lines in the drawings show unclaimed subject matter only and form no part of the claimed design.

1 Claim, 3 Drawing Sheets



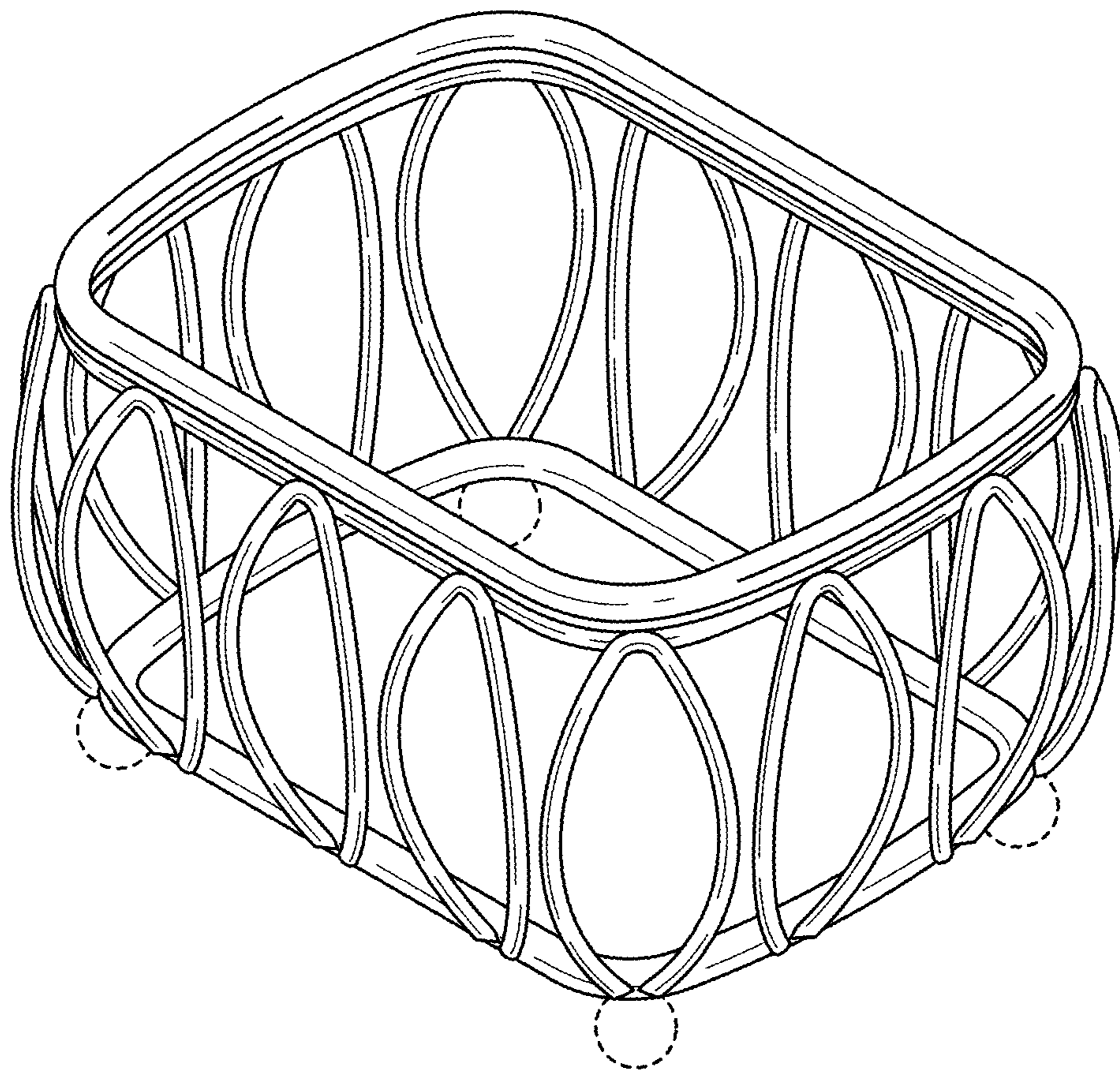


FIG. 1

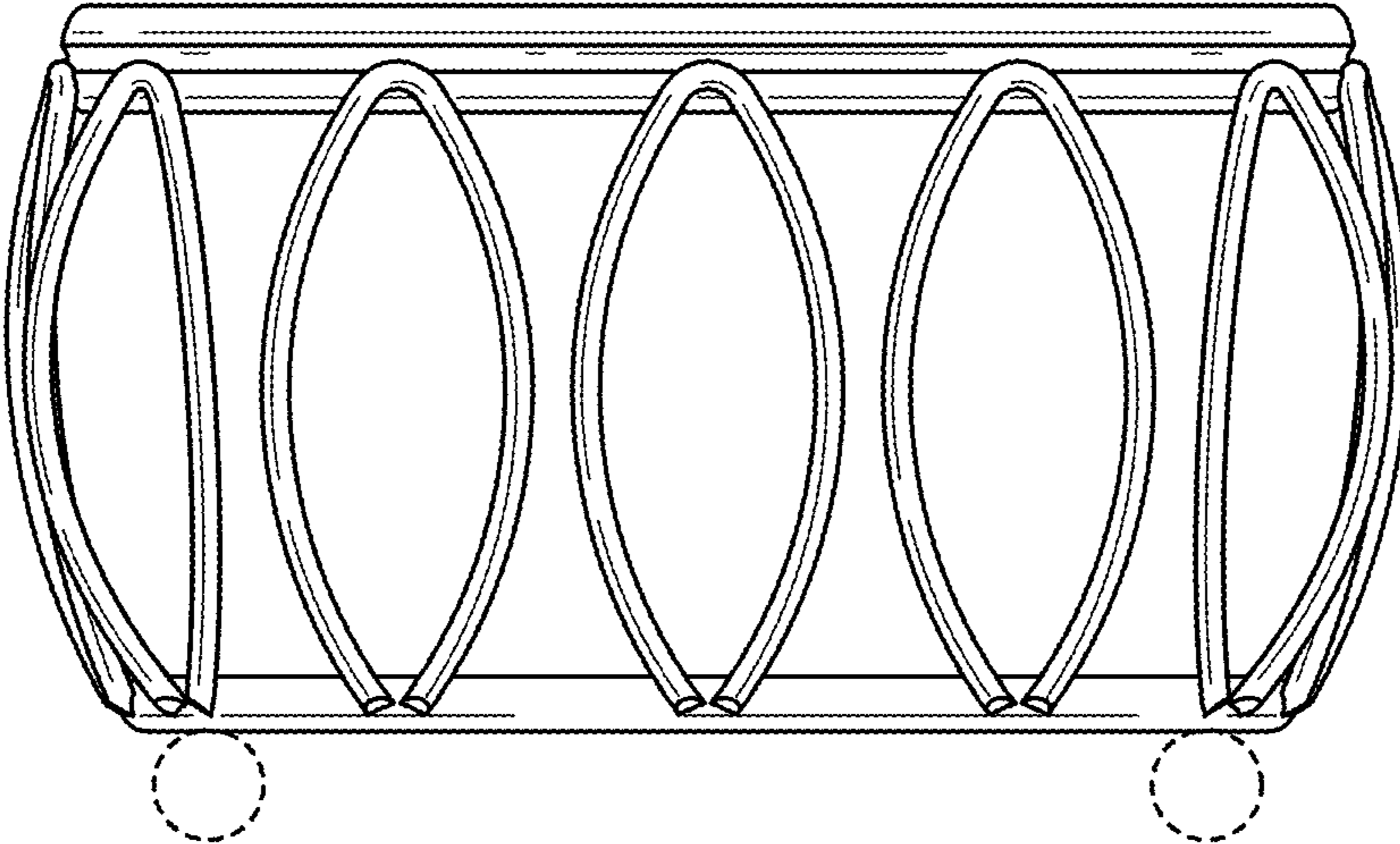


FIG. 2

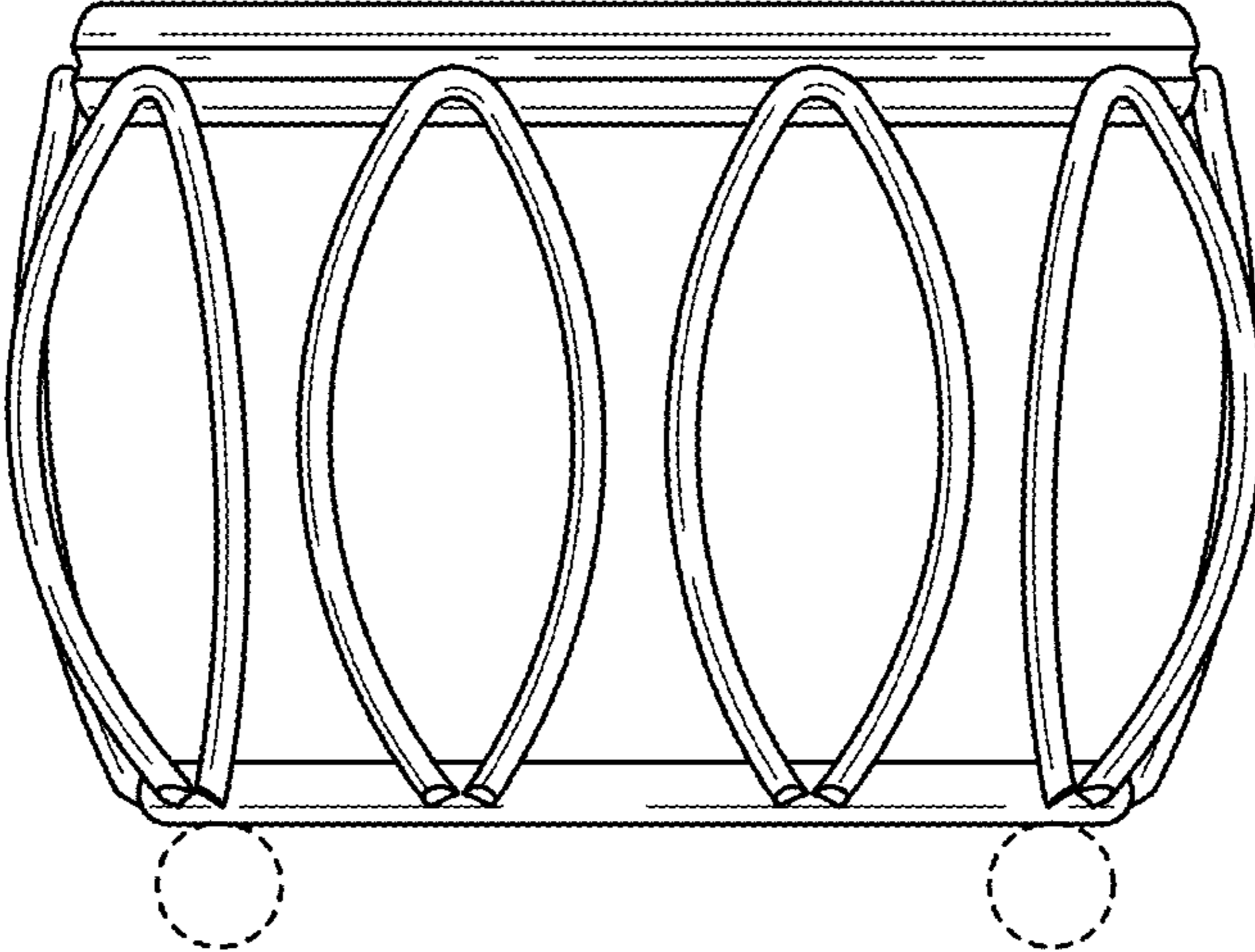


FIG. 3

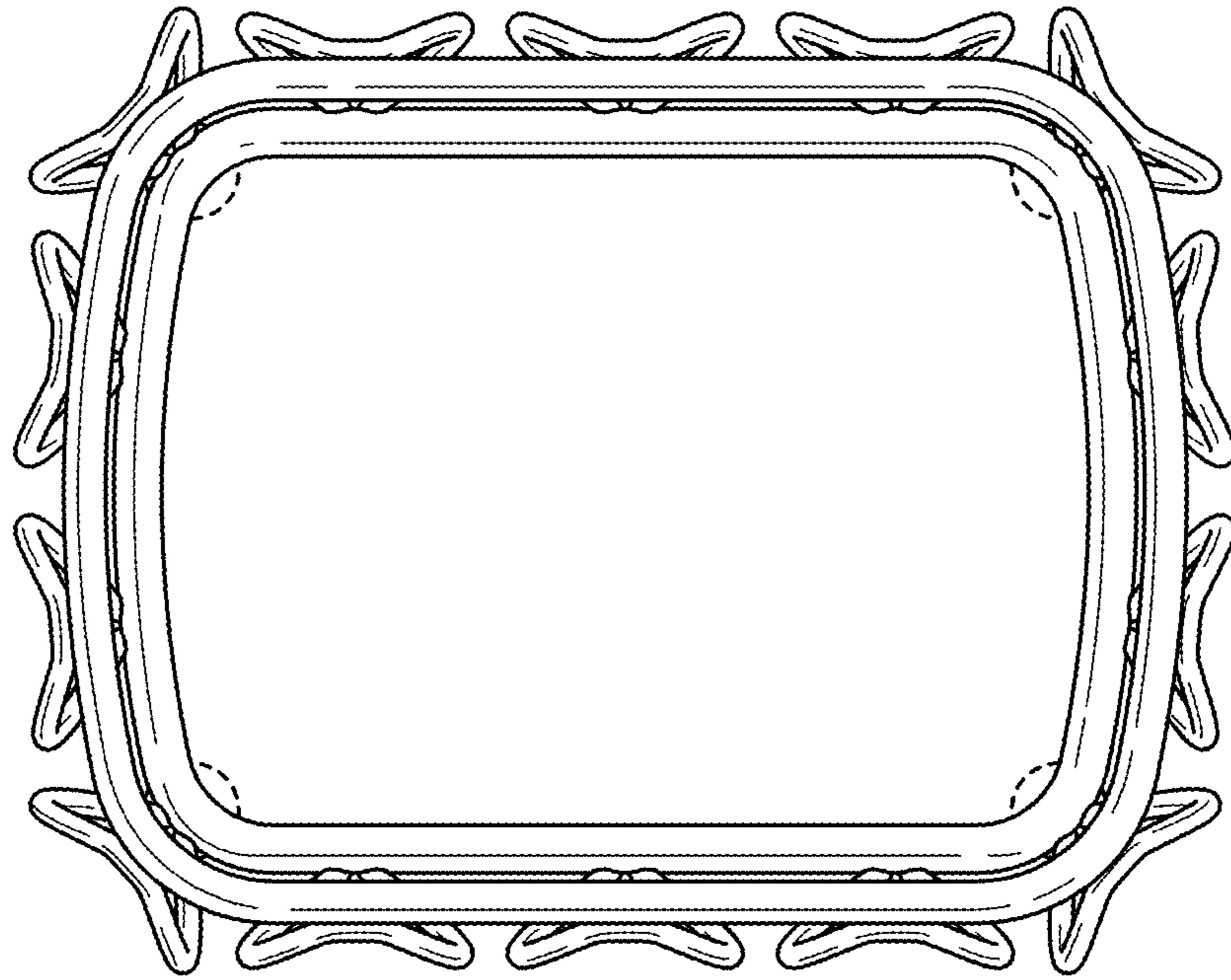


FIG. 4

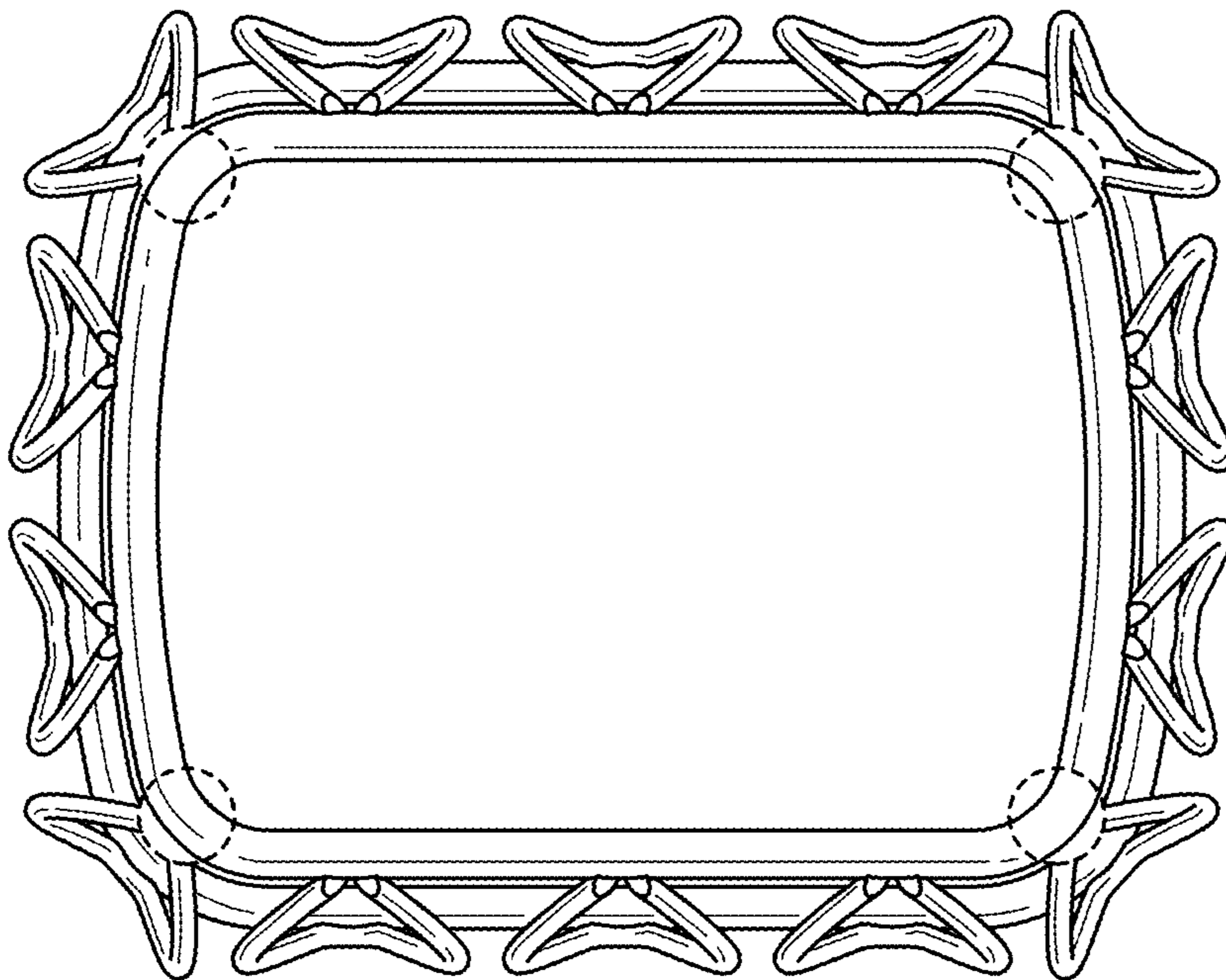


FIG. 5