



US00D778677S

(12) **United States Design Patent**  
**Boroski et al.**

(10) **Patent No.:** **US D778,677 S**  
(45) **Date of Patent:** **\*\* Feb. 14, 2017**

(54) **BOTTLE**

(71) Applicants: **Dwayne Boroski**, Lake in the Hills, IL (US); **Marvin Lane**, Wheeling, IL (US)

(72) Inventors: **Dwayne Boroski**, Lake in the Hills, IL (US); **Marvin Lane**, Wheeling, IL (US)

(73) Assignee: **THERMOS L.L.C.**, Schaumburg, IL (US)

(\*\*) Term: **14 Years**

(21) Appl. No.: **29/523,228**

(22) Filed: **Apr. 7, 2015**

(51) **LOC (10) Cl.** ..... **07-01**

(52) **U.S. Cl.**  
USPC ..... **D7/511; D7/510; D7/529; D7/530;**  
**D7/533; D9/552**

(58) **Field of Classification Search**

USPC ..... **D7/507-512, 529-532, 533, 536, 213,**  
**D7/392.1, 396.1, 396.2, 396.4, 900, 608;**  
**D9/503, 504, 555, 568, 554, 567, 904,**  
**D9/453, 442, 443, 773, 434, 435, 440,**  
**D9/444, 447, 449, 526, 552, 571; D3/202;**  
**D24/197, 122; 220/592.16, 592.17,**  
**220/592.27; 215/381-384**

CPC ..... **B65D 23/00; B65D 47/066; B65D 41/04;**  
**B65D 41/0414; B65D 47/08; A45F 3/16**  
See application file for complete search history.

(56) **References Cited**

**U.S. PATENT DOCUMENTS**

D49,139 S 6/1916 Curtiss  
D216,407 S 12/1969 Eberhard et al.  
D262,192 S 12/1981 Wedge  
D262,932 S 2/1982 Daenen  
D283,596 S 4/1986 Fortuna et al.  
D286,508 S 11/1986 Tilden  
D289,858 S 5/1987 Duval  
D308,828 S \* 6/1990 Magnusson ..... D9/438

D318,980 S \* 8/1991 Unger ..... D7/535  
D332,215 S 1/1993 Halvorson  
D346,801 S 5/1994 Traina  
D364,781 S \* 12/1995 Fenton ..... D7/529  
D427,913 S 7/2000 Davies  
D430,793 S 9/2000 Baron  
D468,588 S 1/2003 Norris et al.  
D492,158 S 6/2004 Bodum  
D518,381 S 4/2006 Egawa  
D531,451 S \* 11/2006 Bin ..... D7/510  
D534,396 S 1/2007 Kramer  
D538,110 S 3/2007 Kitamura et al.  
D544,302 S \* 6/2007 Gibbons ..... D7/510  
D549,048 S \* 8/2007 Duke ..... D7/510  
D555,430 S 11/2007 Tien  
D562,137 S 2/2008 Florio  
D567,589 S \* 4/2008 Freeman ..... D7/533

(Continued)

**OTHER PUBLICATIONS**

U.S. Appl. No. 29/556,513, filed Mar. 1, 2016 (43 pages).  
(Continued)

*Primary Examiner* — Marianne Pandozzi  
*Assistant Examiner* — Jae Liang  
(74) *Attorney, Agent, or Firm* — Polsinelli PC

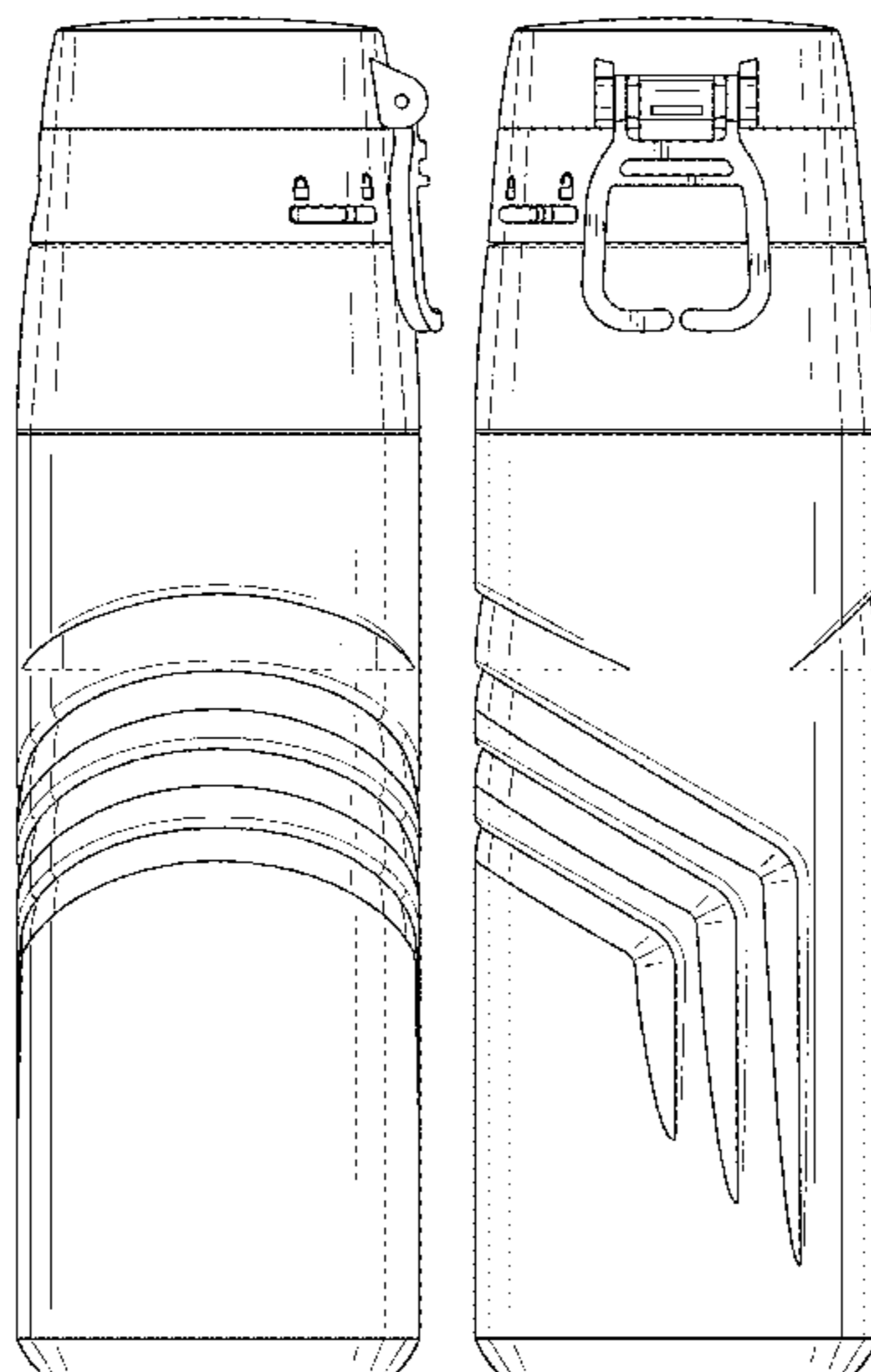
(57) **CLAIM**

The ornamental design for a bottle, as shown and described.

**DESCRIPTION**

FIG. 1 is a perspective view of a bottle showing our new design;  
FIG. 2 is a front view of the bottle;  
FIG. 3 is a rear view of the bottle;  
FIG. 4 is a right side view of the bottle;  
FIG. 5 is a left side view of the bottle;  
FIG. 6 is a top view of the bottle; and,  
FIG. 7 is a bottom view of the bottle.  
The broken lines in the drawing depict portions of the bottle that form no part of the claimed design.

**1 Claim, 4 Drawing Sheets**



(56)

References Cited

U.S. PATENT DOCUMENTS

D584,613 S 1/2009 Yan et al.  
 D587,069 S 2/2009 Bodum  
 D590,661 S 4/2009 Kitamura et al.  
 D602,782 S \* 10/2009 Lepoitevin ..... D9/453  
 D604,561 S 11/2009 Chisholm  
 D609,053 S \* 2/2010 Dingenouts ..... D7/509  
 D617,144 S \* 6/2010 O'Connor ..... D7/396.2  
 D619,418 S 7/2010 Nezu et al.  
 D622,545 S 8/2010 Wahl  
 D622,553 S 8/2010 Bollenbacher  
 D630,044 S 1/2011 Lane et al.  
 D630,473 S 1/2011 Poppie  
 D637,455 S 5/2011 Lipson  
 D639,113 S \* 6/2011 Hayes ..... D7/509  
 D642,472 S 8/2011 Concin et al.  
 D642,473 S \* 8/2011 Vanhooland ..... D9/516  
 8,016,148 B2 9/2011 Walsh  
 D649,881 S 12/2011 Rinderer et al.  
 D655,134 S 3/2012 Gilbert  
 D655,569 S 3/2012 Lipson  
 D655,581 S 3/2012 Kotani  
 D656,025 S 3/2012 Carreno  
 D658,445 S 5/2012 Carreno  
 D660,081 S \* 5/2012 Gilbert ..... D7/396.2  
 D660,082 S 5/2012 Wahl  
 D660,705 S 5/2012 Simmons et al.  
 D672,648 S 12/2012 Goto et al.  
 D675,865 S \* 2/2013 Wahl ..... D7/392.1  
 D680,369 S 4/2013 Starks  
 D686,872 S \* 7/2013 Lane ..... D7/392.1  
 8,474,648 B1 7/2013 Ritzen  
 D688,949 S 9/2013 Johnson et al.

D690,557 S \* 10/2013 Carreno ..... D7/510  
 D695,069 S \* 12/2013 Lane ..... D7/510  
 D699,516 S 2/2014 Kim et al.  
 D700,802 S 3/2014 Miller  
 D702,505 S 4/2014 Nakatani  
 D707,492 S \* 6/2014 George ..... D7/510  
 D710,653 S 8/2014 Goto et al.  
 D718,626 S \* 12/2014 Lane ..... D9/449  
 D718,980 S 12/2014 Lapsker  
 D722,249 S 2/2015 Valderrama et al.  
 D725,966 S \* 4/2015 Boroski ..... D7/511  
 D725,968 S 4/2015 George  
 D727,685 S 4/2015 He  
 D734,154 S 7/2015 Johnson et al.  
 D735,580 S \* 8/2015 Bourne ..... D9/538  
 D740,073 S 10/2015 Zorovich et al.  
 D744,290 S 12/2015 Endo  
 D752,446 S \* 3/2016 Jasso Gomez ..... D9/543  
 2003/0080135 A1 5/2003 Bezek  
 2008/0101850 A1 5/2008 Wojcik et al.  
 2009/0290928 A1 11/2009 Samuelson et al.  
 2010/0219153 A1 \* 9/2010 Mooney ..... B65D 1/0223  
 215/381  
 2016/0000245 A1 \* 1/2016 Sims ..... A47G 19/2272  
 220/253  
 2016/0115008 A1 4/2016 Bohlen

OTHER PUBLICATIONS

U.S. Appl. No. 29/523,348, filed Apr. 8, 2015 (16 pages).  
 U.S. Appl. No. 29/523,349, filed Apr. 8, 2015 (16 pages).  
 U.S. Appl. No. 29/523,341, filed Apr. 8, 2015 (18 pages).

\* cited by examiner

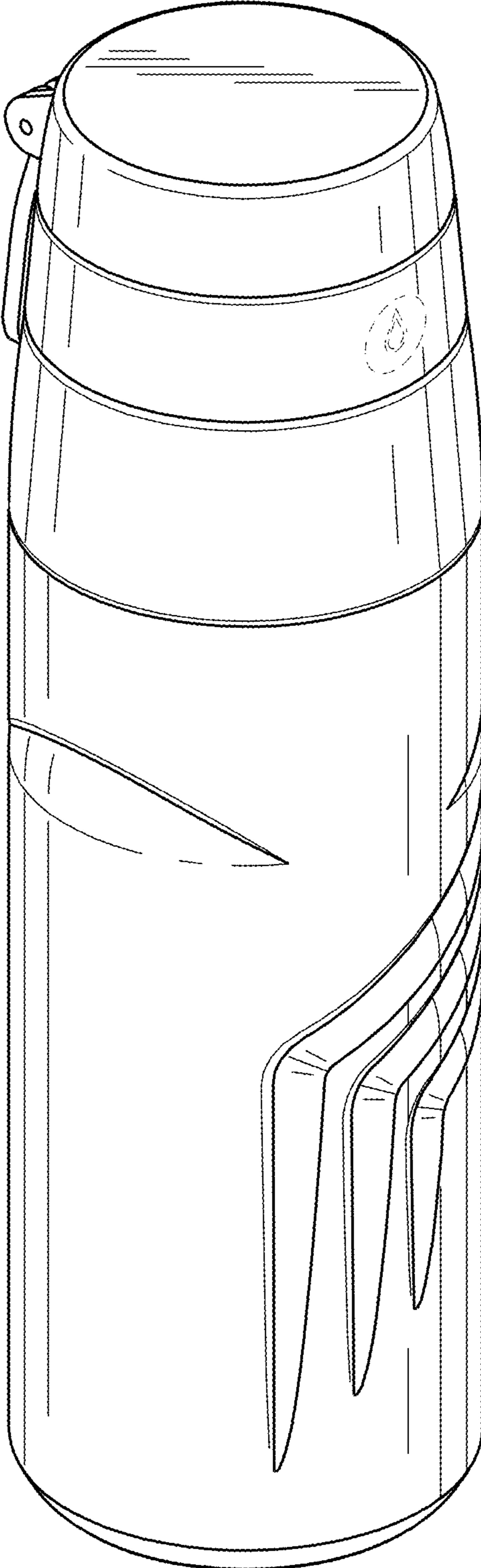


FIG. 1



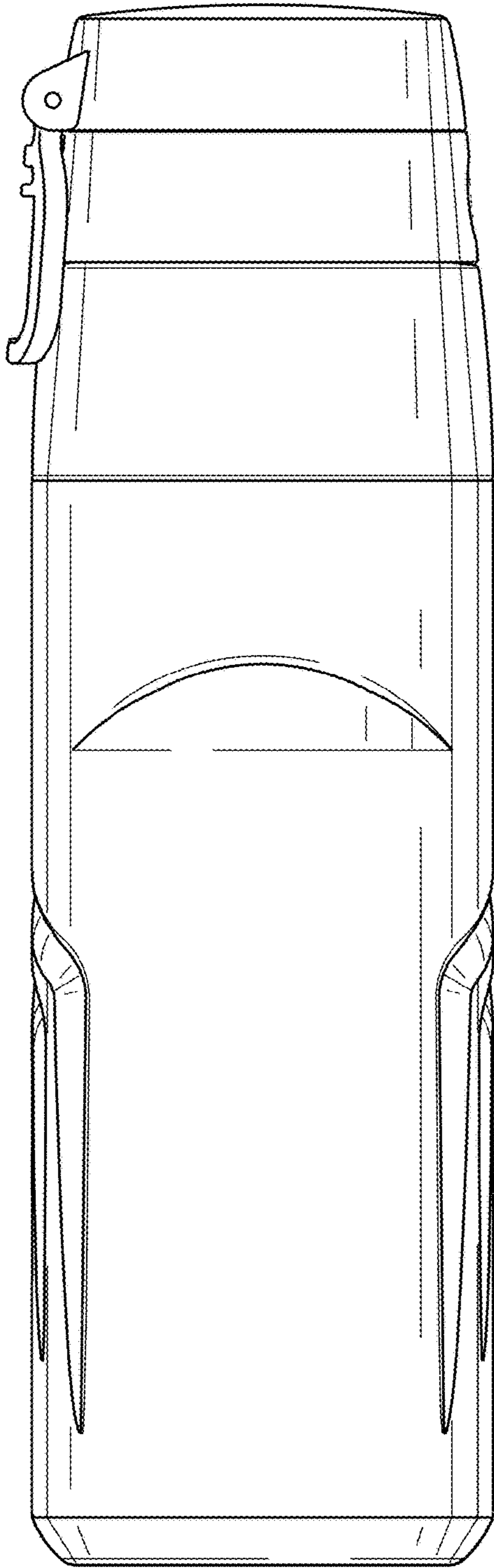


FIG. 2

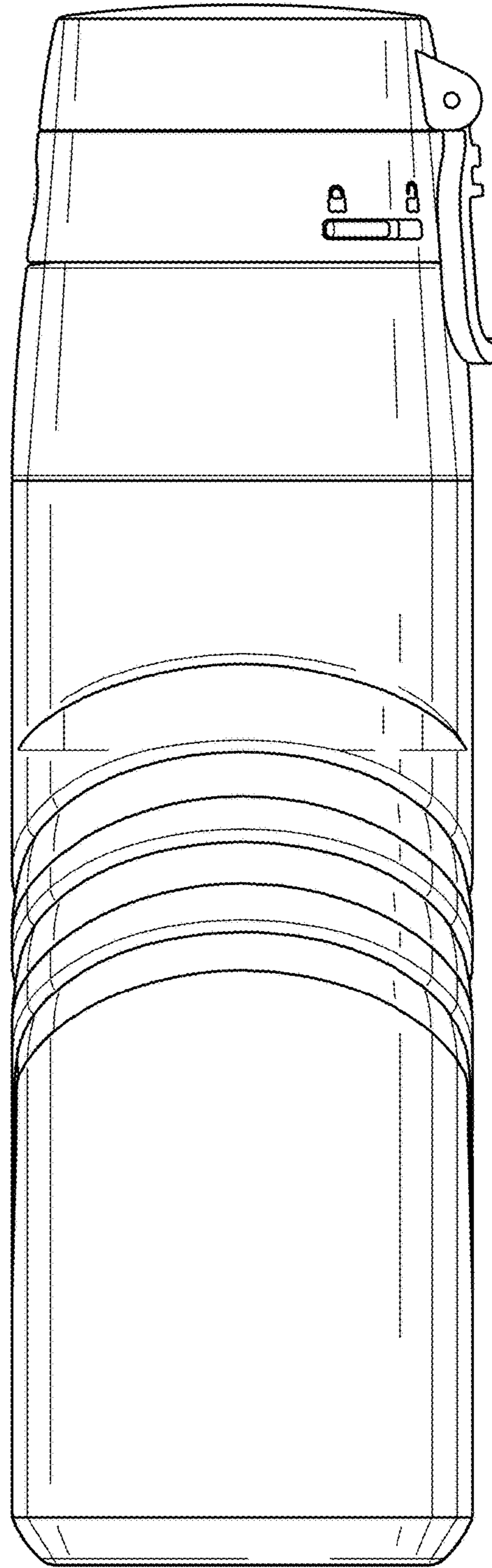


FIG. 3

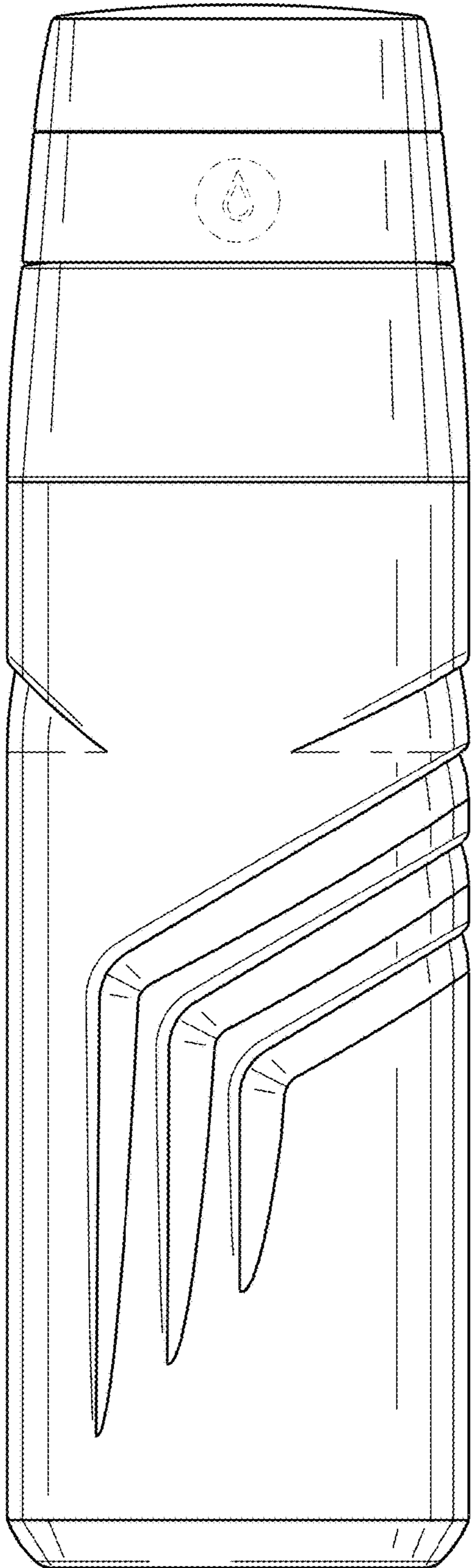


FIG. 4

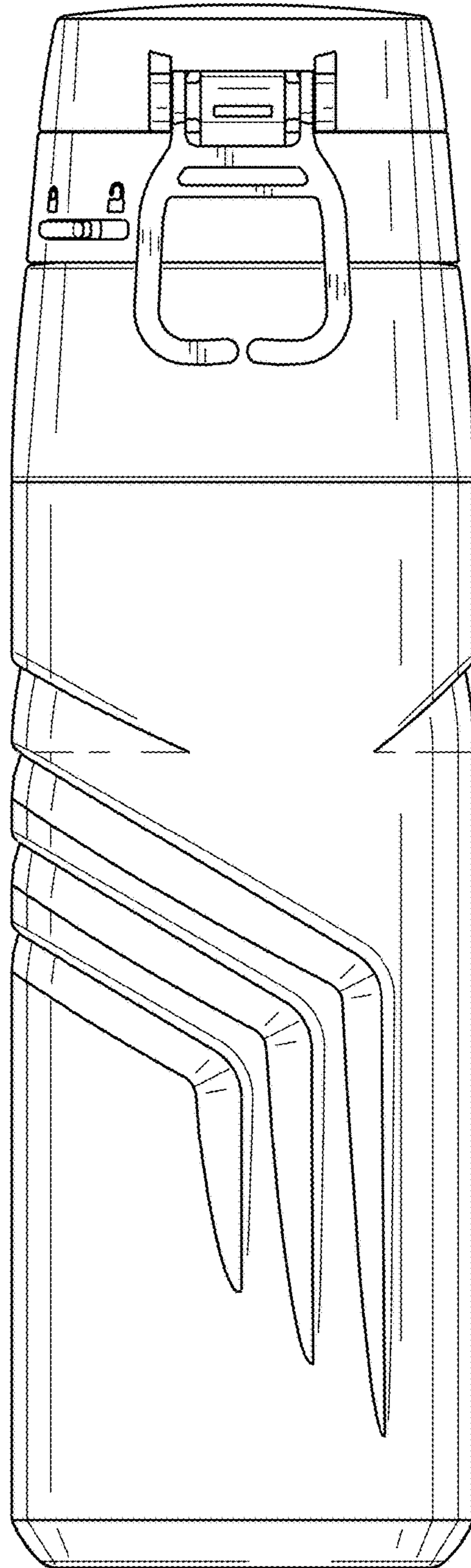


FIG. 5

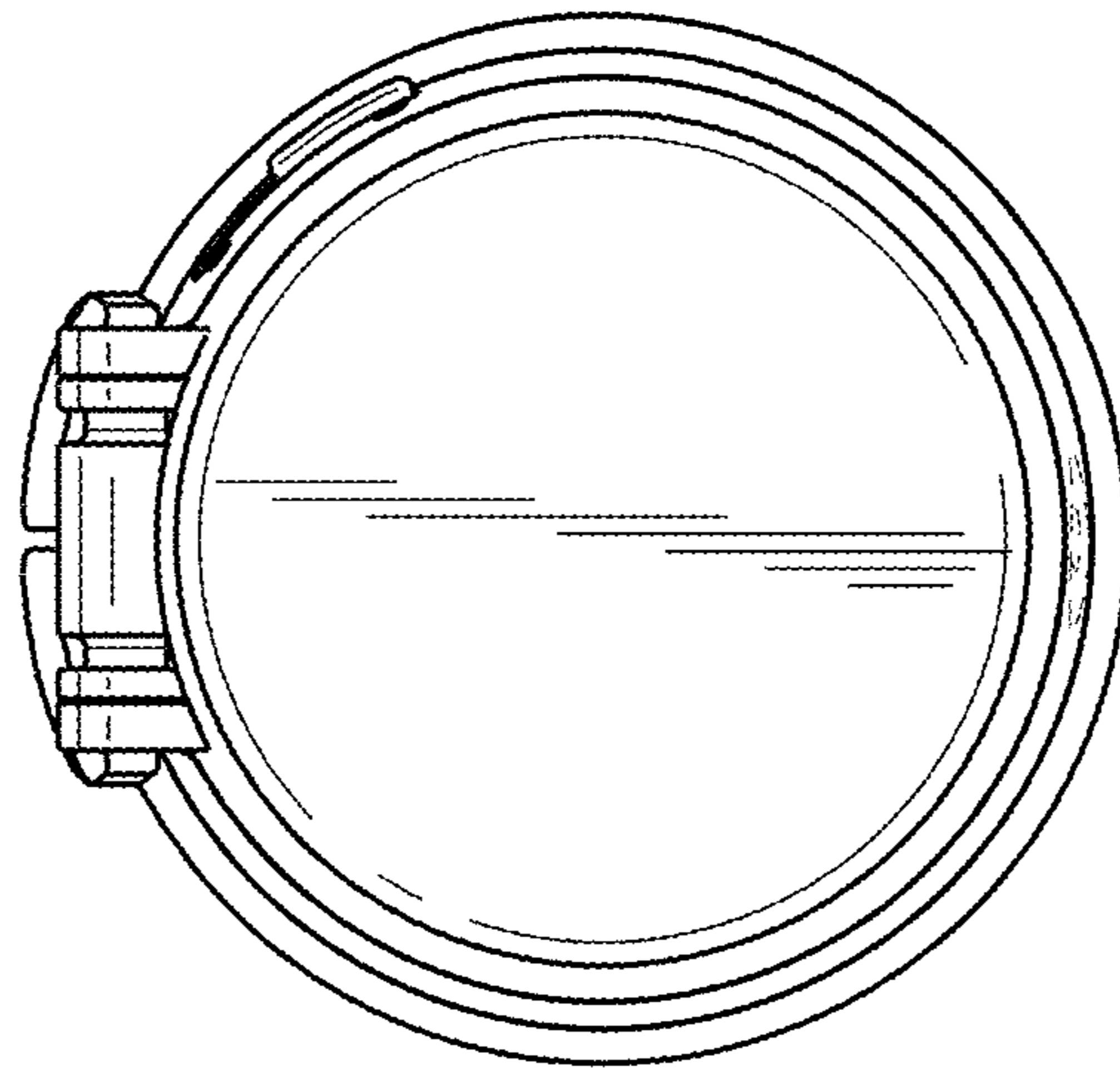


FIG. 6

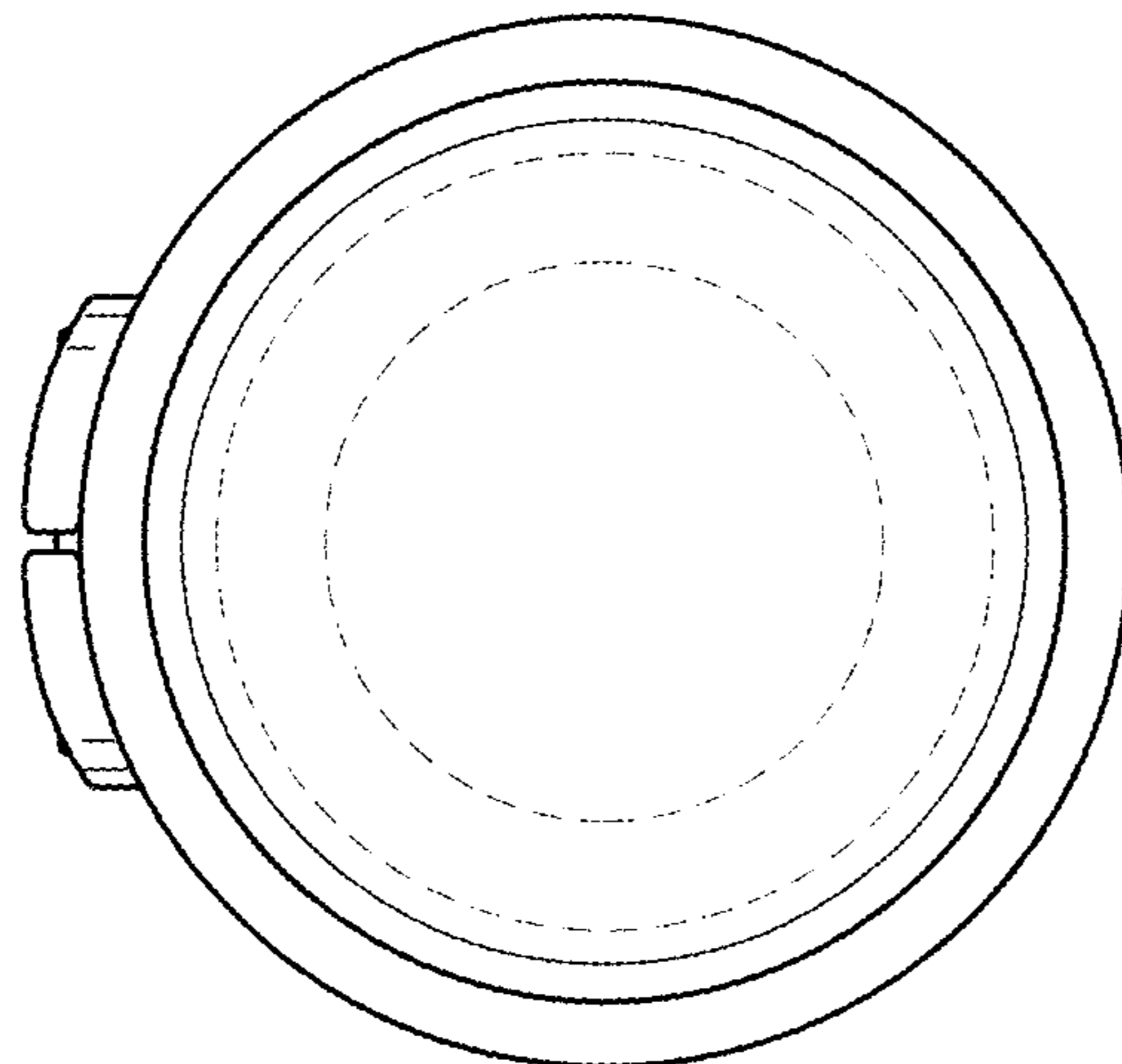


FIG. 7