



US00D778676S

(12) **United States Design Patent**
Maple

(10) **Patent No.:** **US D778,676 S**

(45) **Date of Patent:** **** Feb. 14, 2017**

(54) **BEVERAGE CONTAINER**

(71) Applicant: **Wade Maple**, Spokane, WA (US)

(72) Inventor: **Wade Maple**, Spokane, WA (US)

(73) Assignee: **Zak Designs, Inc.**, Spokane, WA (US)

(**) Term: **15 Years**

(21) Appl. No.: **29/555,764**

(22) Filed: **Feb. 24, 2016**

(51) **LOC (10) Cl.** **07-01**

(52) **U.S. Cl.**
USPC **D7/510**

(58) **Field of Classification Search**

USPC D7/509-511, 523, 529, 532, 608, 392.1,
D7/396.2; D9/434-436, 454, 503, 504,
D9/457; 215/200

CPC A47G 19/22; A47G 19/2205;
A47G 19/2211; A47G 19/2216; A47G
19/2222; A47G 19/2227; A47G 19/2233;
A47G 19/2288; A47J 31/005; B65D
41/04; B65D 41/0414; B65D 43/02

See application file for complete search history.

(56) **References Cited**

U.S. PATENT DOCUMENTS

D389,058 S *	1/1998	Landis	D9/438
D531,445 S *	11/2006	Bodum	D7/312
D627,603 S *	11/2010	Eyal	D7/510
D640,094 S *	6/2011	Carlson	D7/510
D642,864 S *	8/2011	Tobias	D7/510
D648,985 S *	11/2011	Chiu	D7/510
D654,366 S *	2/2012	Presche	D9/504
D674,241 S *	1/2013	Bickert	D7/510
D682,610 S *	5/2013	Carder	D7/392.1
D688,521 S *	8/2013	Lees	D7/510

D688,523 S *	8/2013	Lees	D7/510
D697,366 S *	1/2014	Kristinik	D7/392.1
D713,686 S *	9/2014	Eyal	D7/509
D720,183 S *	12/2014	Chiang	D7/510
D720,962 S *	1/2015	Coon	D7/510
D721,920 S *	2/2015	Coon	D7/510
D722,826 S *	2/2015	Coon	D7/511
D723,871 S *	3/2015	Khubani	D7/505
D726,499 S *	4/2015	Kim	D7/510
D730,696 S *	6/2015	Nemeth	D7/523
D736,034 S *	8/2015	Spivey	D7/510
D744,780 S *	12/2015	Lindsay	D7/510
D747,147 S *	1/2016	Sanbar	D7/510
D753,950 S *	4/2016	Feeley	D7/392.1
D755,013 S *	5/2016	Khubani	D7/507
D757,497 S *	5/2016	Bodum	D7/509
D762,475 S *	8/2016	Turner	D9/434
D767,329 S *	9/2016	Mock	D7/392.1
D767,335 S *	9/2016	Khubani	D7/507
D769,069 S *	10/2016	Sanbar	D7/507
9,463,899 B2 *	10/2016	Strominger	B65D 21/0209

* cited by examiner

Primary Examiner — Daniel Bui

Assistant Examiner — Andrew Kerr

(74) *Attorney, Agent, or Firm* — Randall Danskin PS

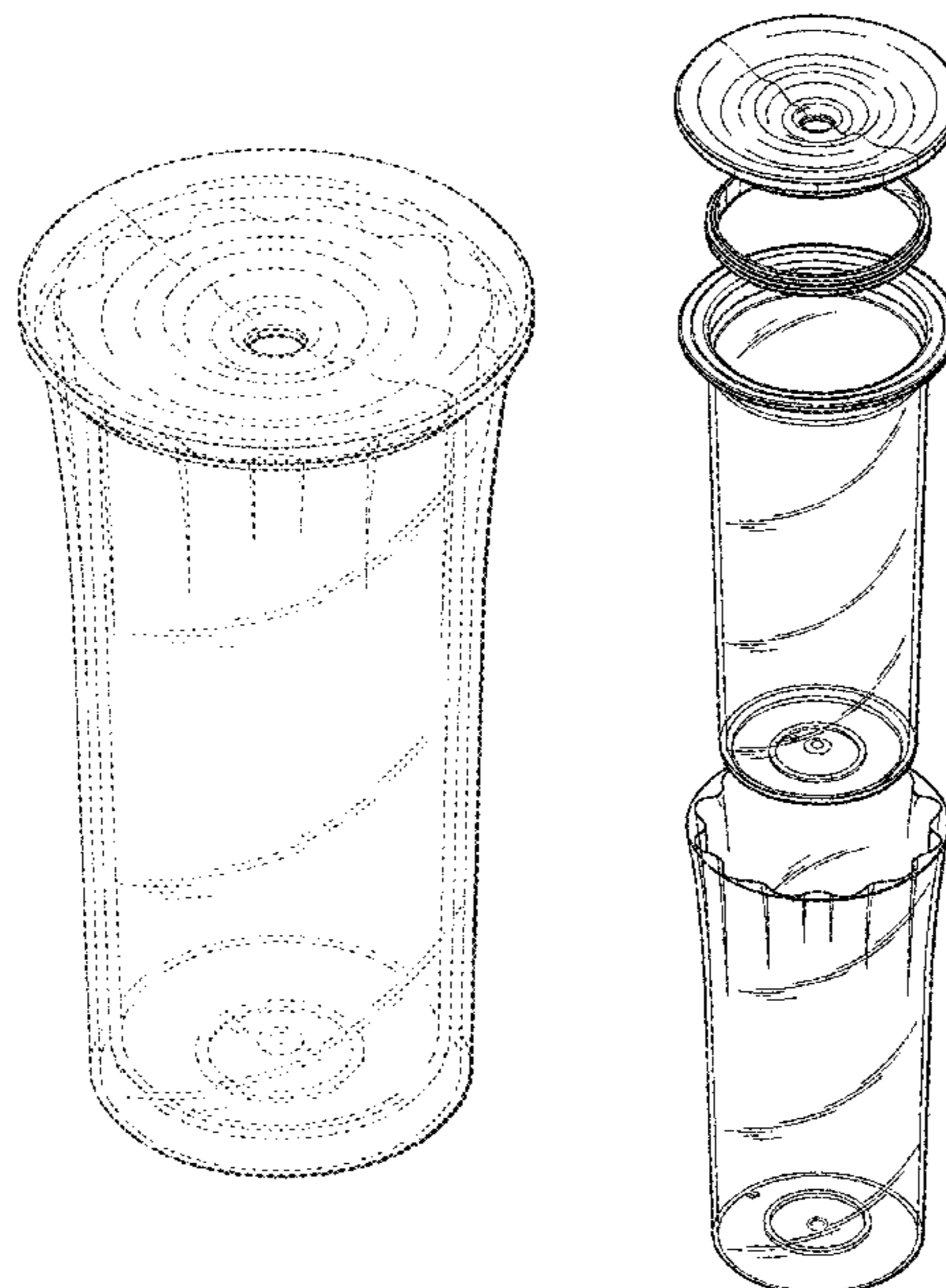
(57) **CLAIM**

I claim the ornamental design of the beverage container, as shown and described.

DESCRIPTION

FIG. 1 is a perspective view of a beverage container, showing my new design;
FIG. 2 is a side elevation view thereof;
FIG. 3 is a top plan view thereof;
FIG. 4 is a bottom plan view thereof; and,
FIG. 5 is a perspective view thereof, in an exploded condition.

1 Claim, 5 Drawing Sheets



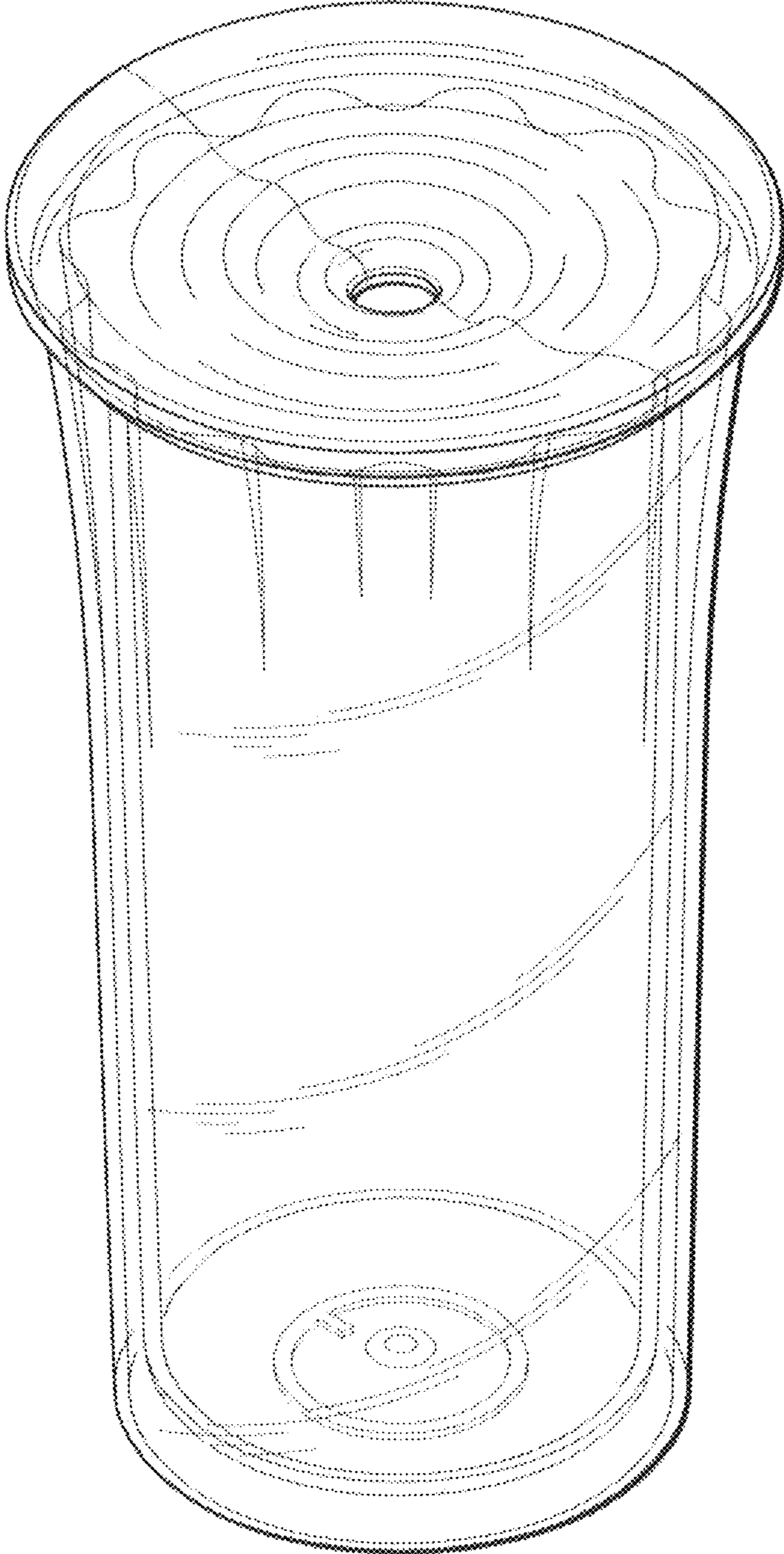


FIG. 1

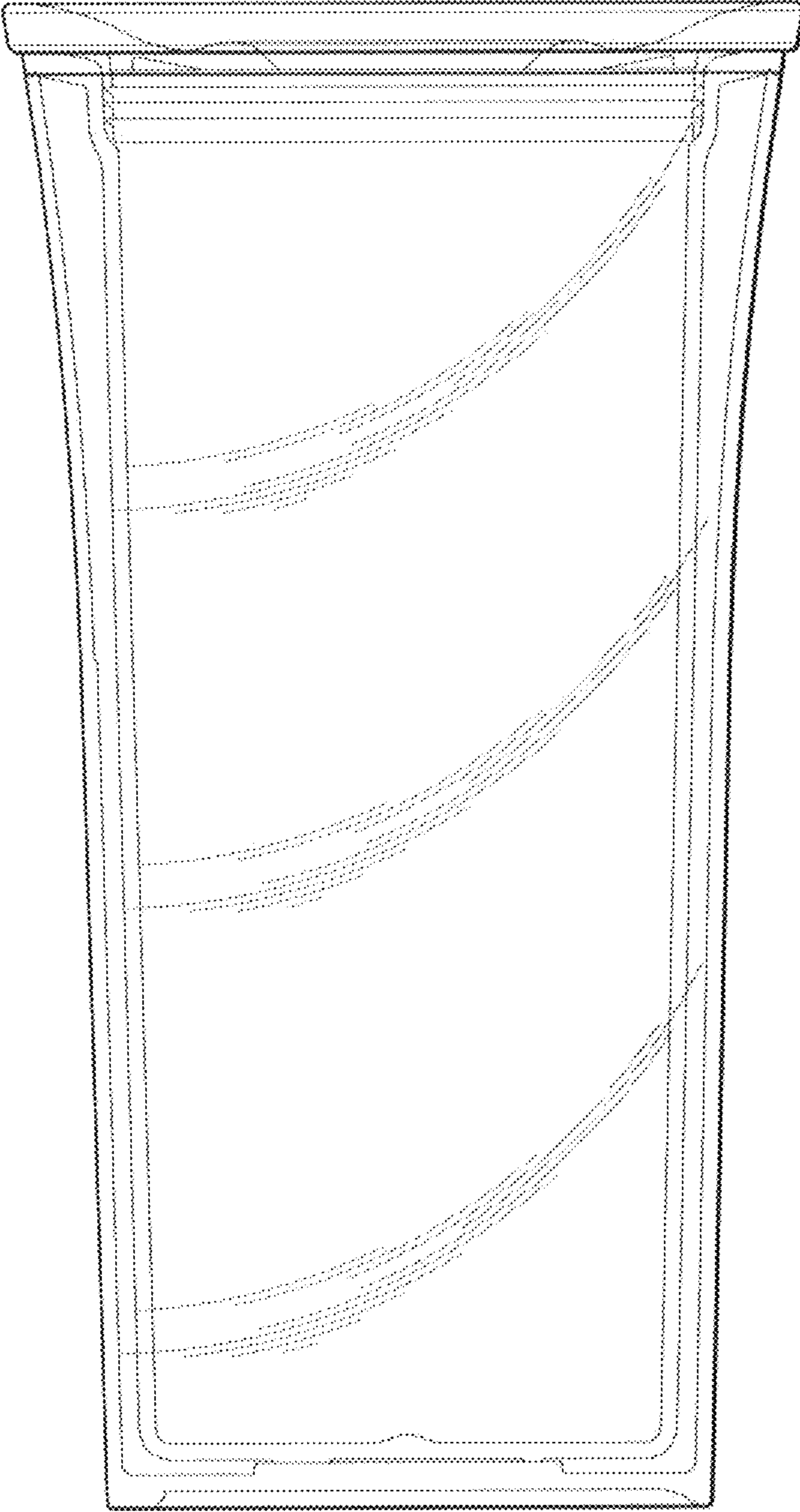


FIG. 2

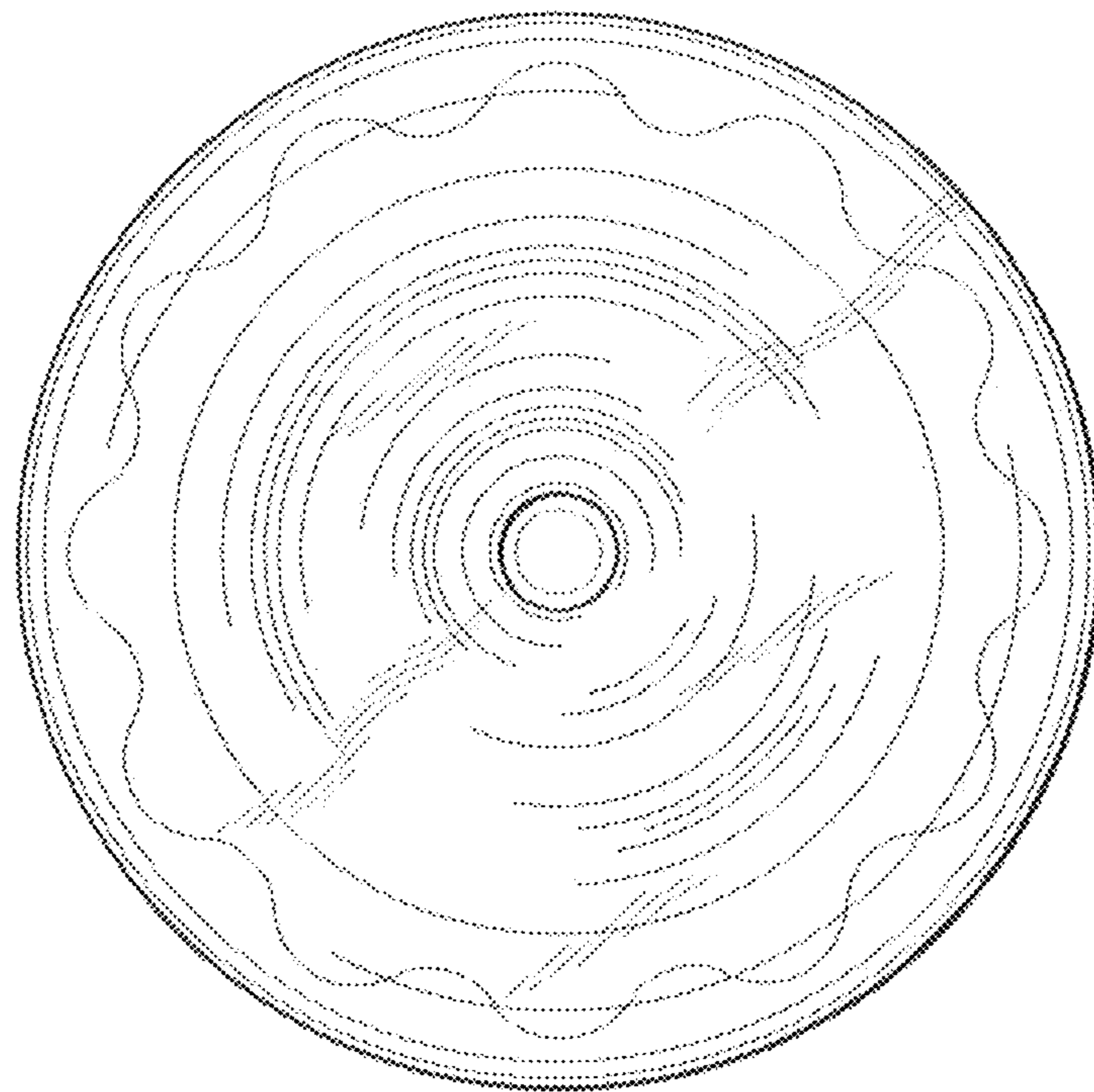


FIG. 3

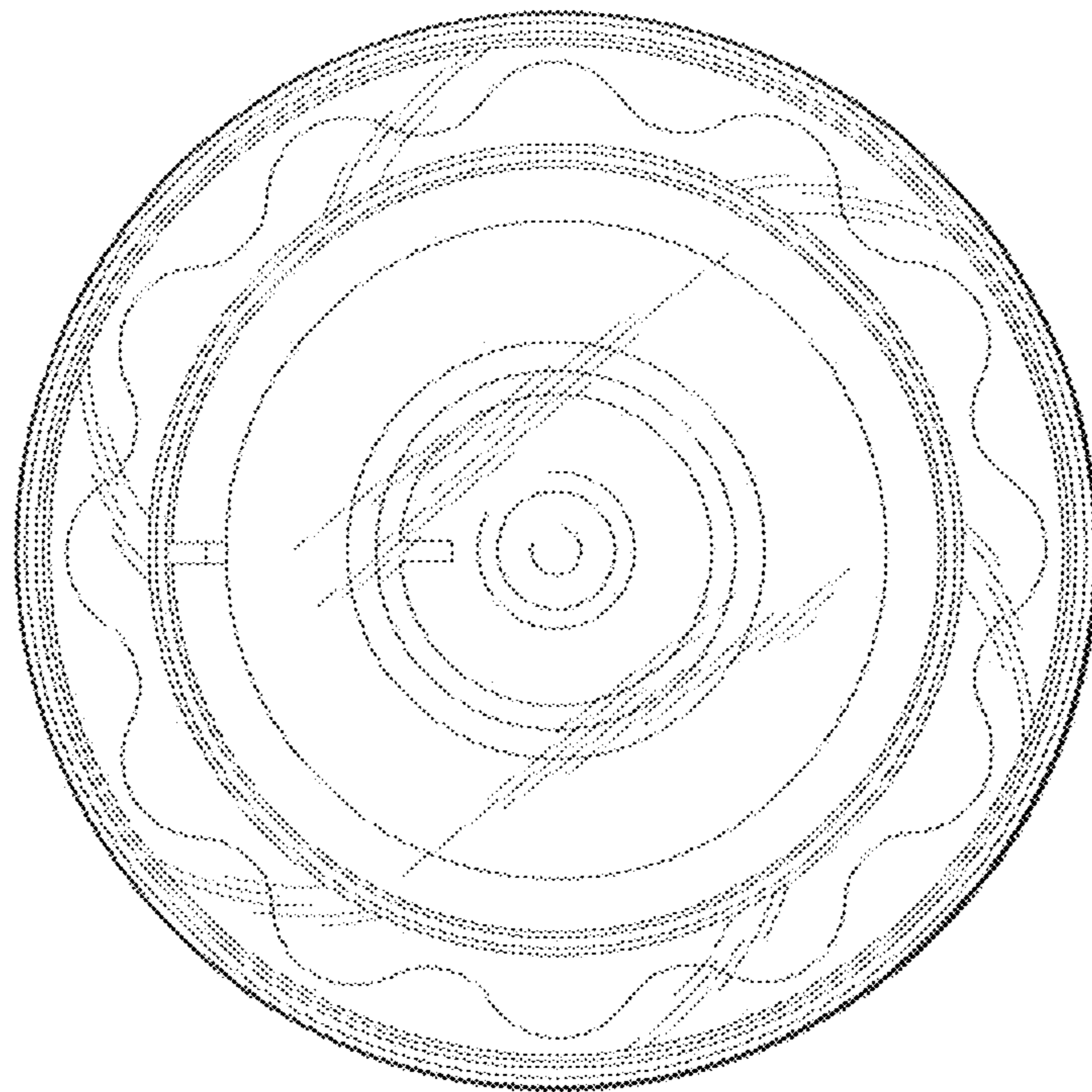


FIG. 4

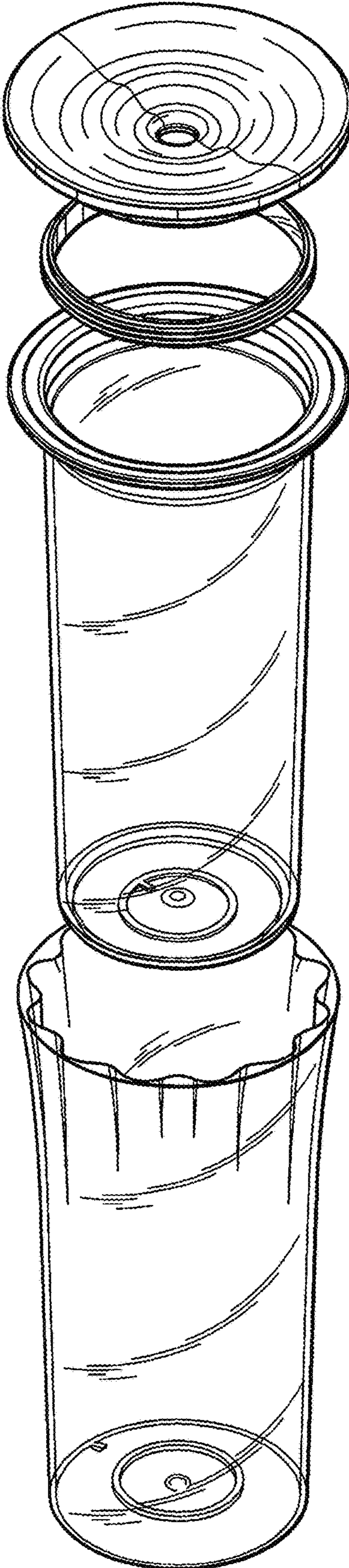


FIG. 5