



US00D778672S

(12) **United States Design Patent** (10) **Patent No.:** **US D778,672 S**
Suh et al. (45) **Date of Patent:** **** Feb. 14, 2017**

(54) **MICROWAVE OVEN**
(71) Applicant: **Samsung Electronics Co., Ltd.**,
Suwon-si (KR)
(72) Inventors: **Seungwook Suh**, Goyang-si (KR);
Jae-moon Lee, Seoul (KR)
(73) Assignee: **SAMSUNG ELECTRONICS CO., LTD.**,
Suwon-si (KR)
(**) Term: **15 Years**
(21) Appl. No.: **29/547,258**
(22) Filed: **Dec. 2, 2015**

D675,475 S * 2/2013 Yoon D7/351
D700,470 S * 3/2014 Kim D7/351
D704,498 S * 5/2014 Kim D7/351
D704,983 S * 5/2014 Yoon D7/351
D705,591 S * 5/2014 Lee D7/351
D707,074 S * 6/2014 Shin D7/351
D708,469 S * 7/2014 Kim D7/351
D712,694 S * 9/2014 Kim D7/351
D733,486 S * 7/2015 Lee D7/351
D734,973 S * 7/2015 Leavitt D7/323
D741,639 S * 10/2015 Kim D7/351
D741,649 S * 10/2015 Kim D7/405
D750,431 S * 3/2016 Bergese D7/405
D761,620 S * 7/2016 Kim D7/405
D762,416 S * 8/2016 Kim D7/405
D764,228 S * 8/2016 Kim D7/405
2016/0033141 A1 * 2/2016 Rizzuto F24C 7/085
219/396

(30) **Foreign Application Priority Data**
Jul. 9, 2015 (KR) 30-2015-0034689
(51) **LOC (10) Cl.** **07-02**
(52) **U.S. Cl.**
USPC **D7/405; D7/351**
(58) **Field of Classification Search**
USPC D7/402, 405, 351, 323, 338, 346, 347;
219/678
CPC H05B 6/763; H05B 6/6414; H05B 6/6408;
Y02B 40/14; Y02B 40/143; Y02B 40/146;
F24C 15/02; F24C 1/00; F24C
14/00; F24C 3/00; F24C 5/00; F24C 7/00
See application file for complete search history.

* cited by examiner

Primary Examiner — Robin V Webster
Assistant Examiner — James Thorn, Sr.
(74) *Attorney, Agent, or Firm* — McAndrews Held &
Malloy, Ltd.

(56) **References Cited**
U.S. PATENT DOCUMENTS
D285,280 S * 8/1986 Fischer D7/346
D306,678 S * 3/1990 You D7/351
D330,276 S * 10/1992 Mitchum, Jr. D34/27
D539,073 S * 3/2007 Kanza D7/351
D575,573 S * 8/2008 Kim D7/351
D655,970 S * 3/2012 De' Longhi D7/351
D673,418 S * 1/2013 Lee D7/351

(57) **CLAIM**

The ornamental design for a microwave oven, as shown and described.

DESCRIPTION

FIG. 1 is a front perspective view of a microwave oven showing our new design;
FIG. 2 is a front elevation view thereof;
FIG. 3 is a rear elevation view thereof;
FIG. 4 is a left-side elevation view thereof;
FIG. 5 is a right-side elevation view thereof;
FIG. 6 is a top plan view thereof; and,
FIG. 7 is a bottom plan view thereof.
The broken lines depict portions of the microwave oven that form no part of the claimed design.

1 Claim, 7 Drawing Sheets

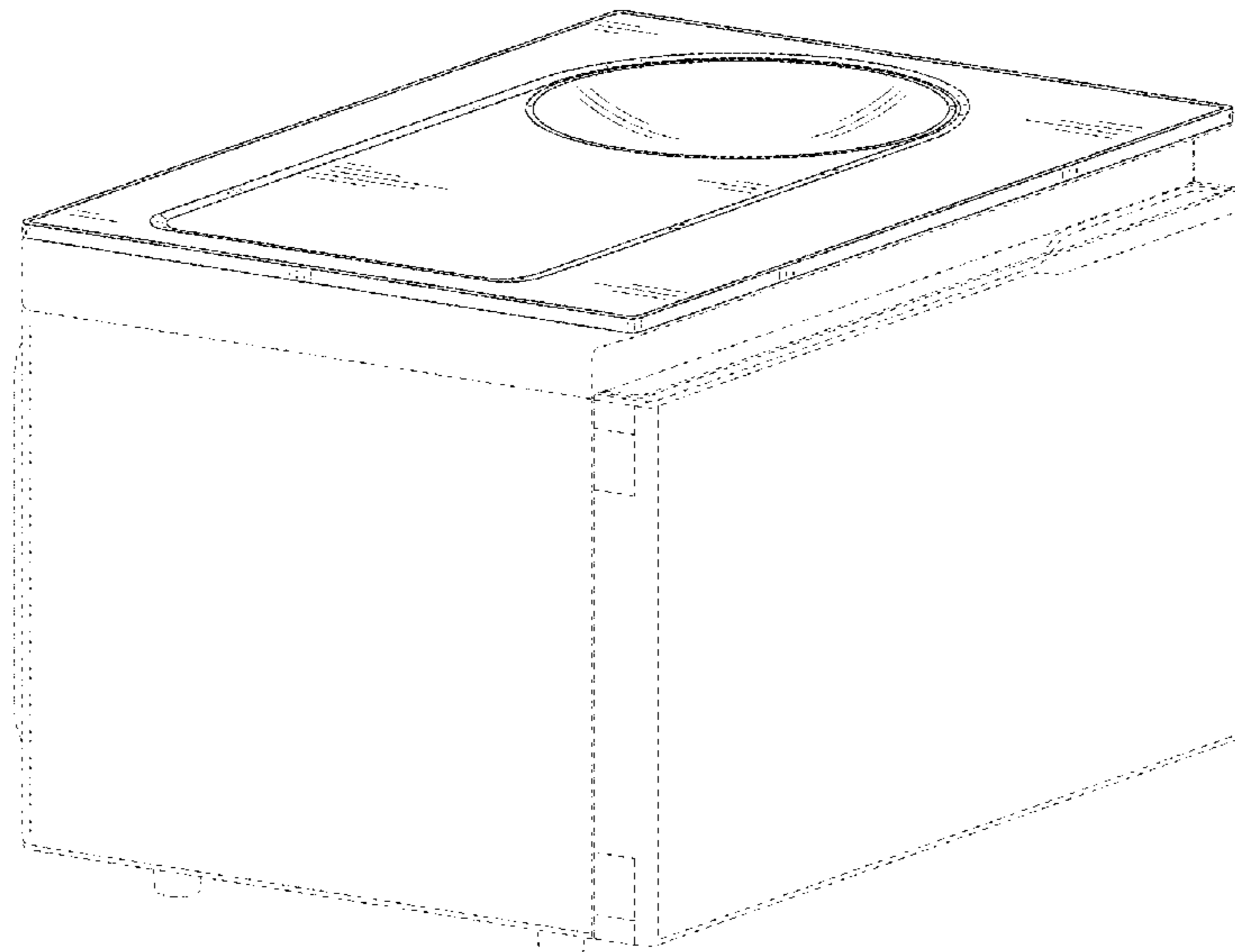


FIG. 1

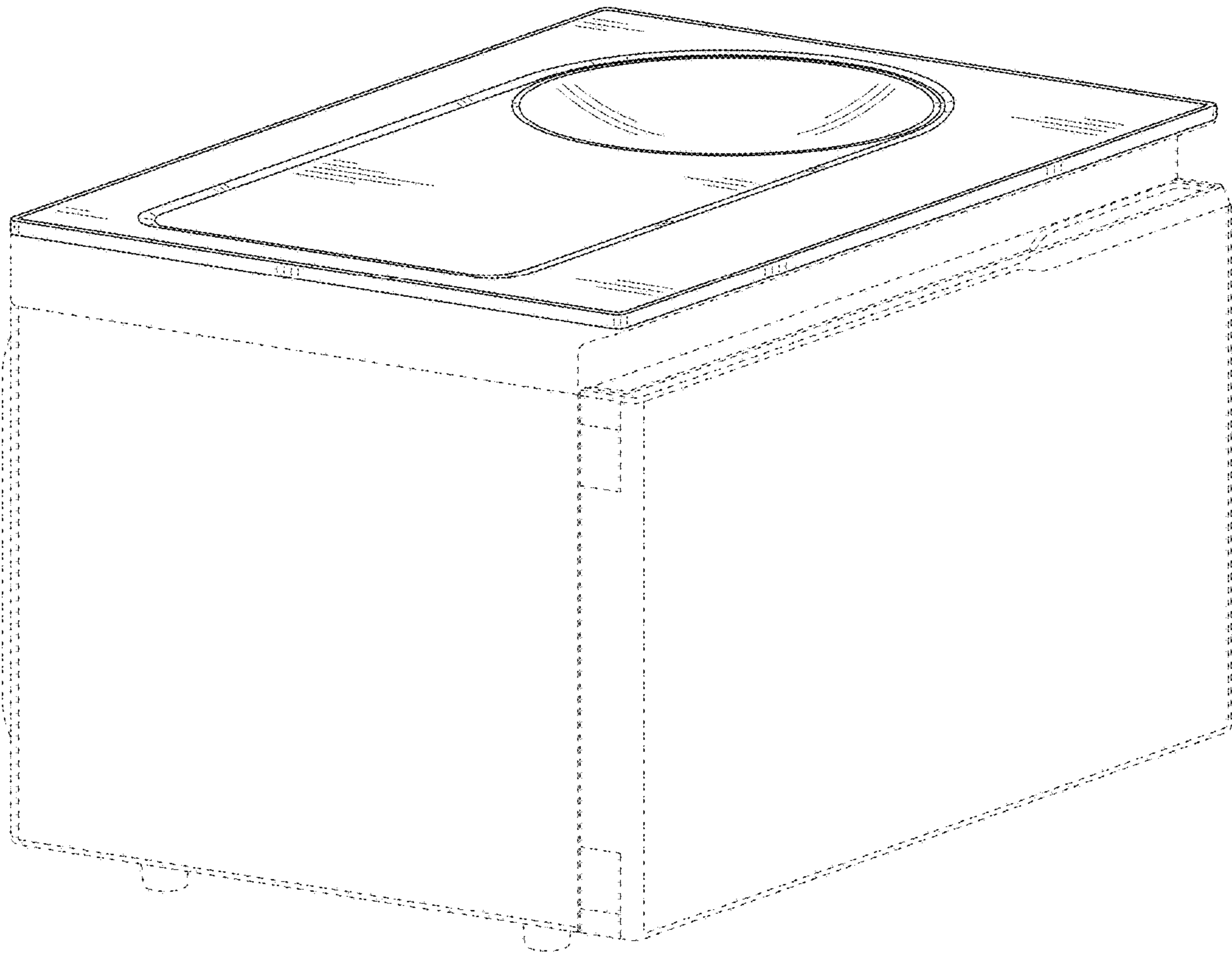


FIG. 2

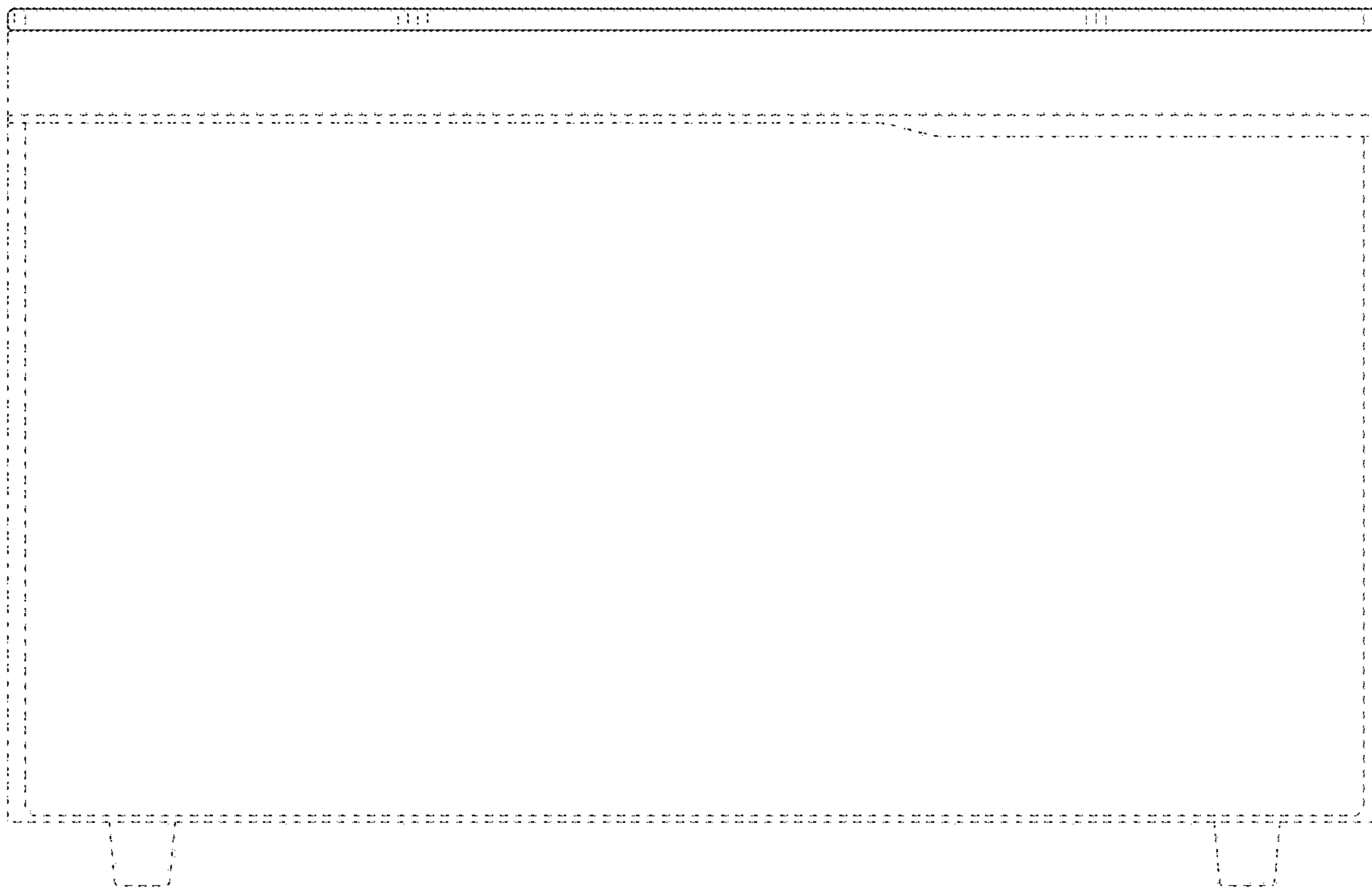


FIG. 3

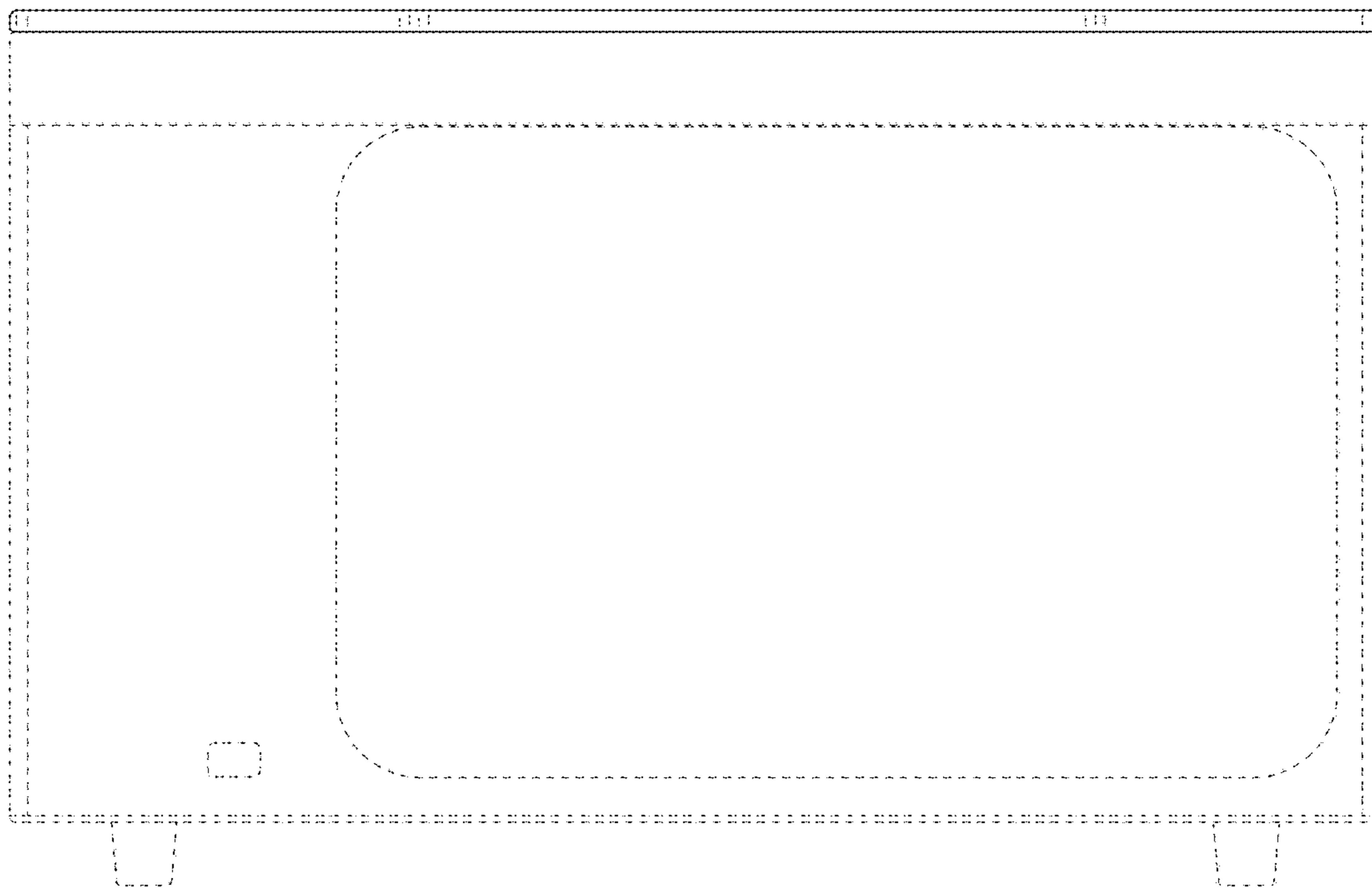


FIG. 4

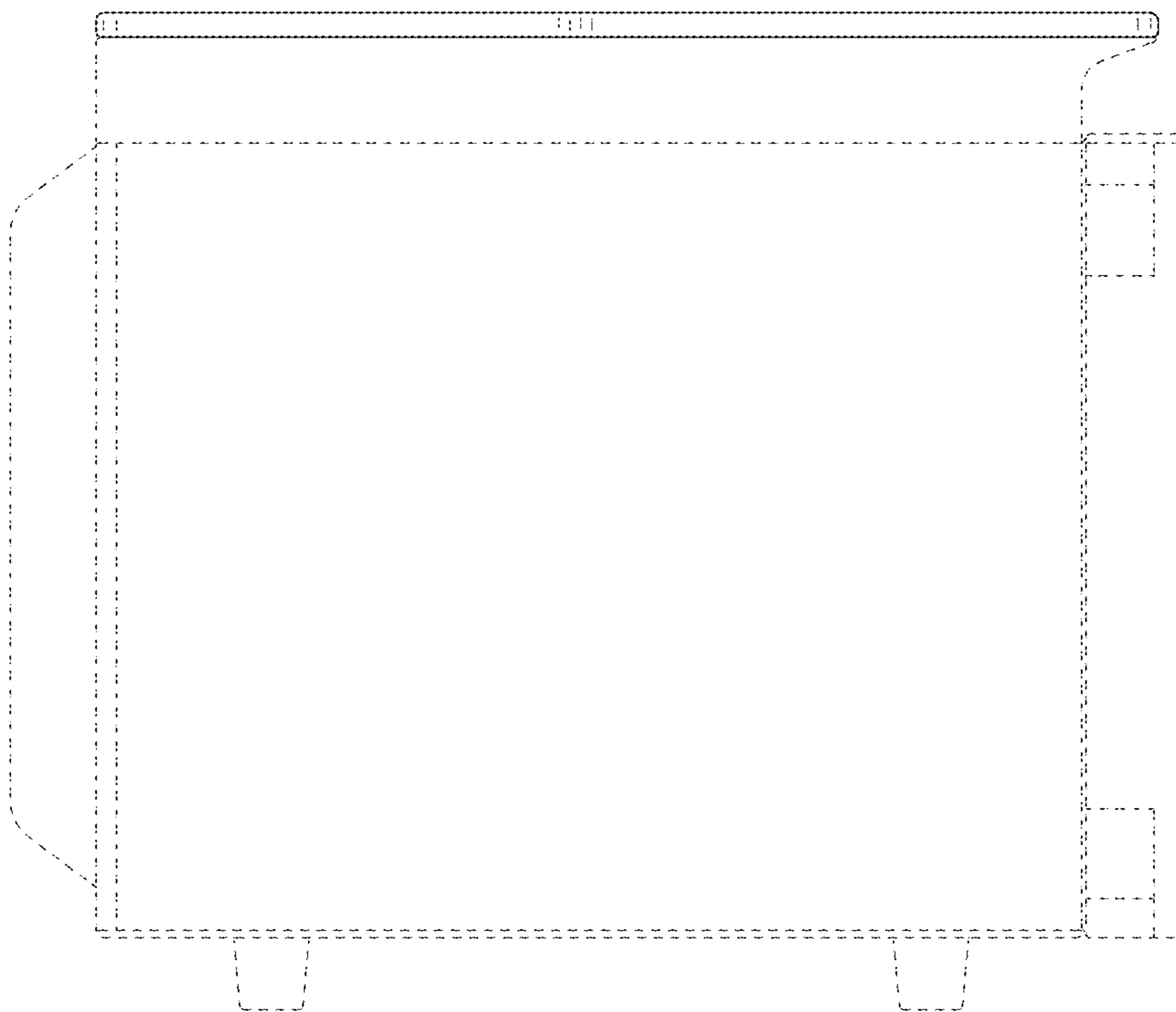


FIG. 5

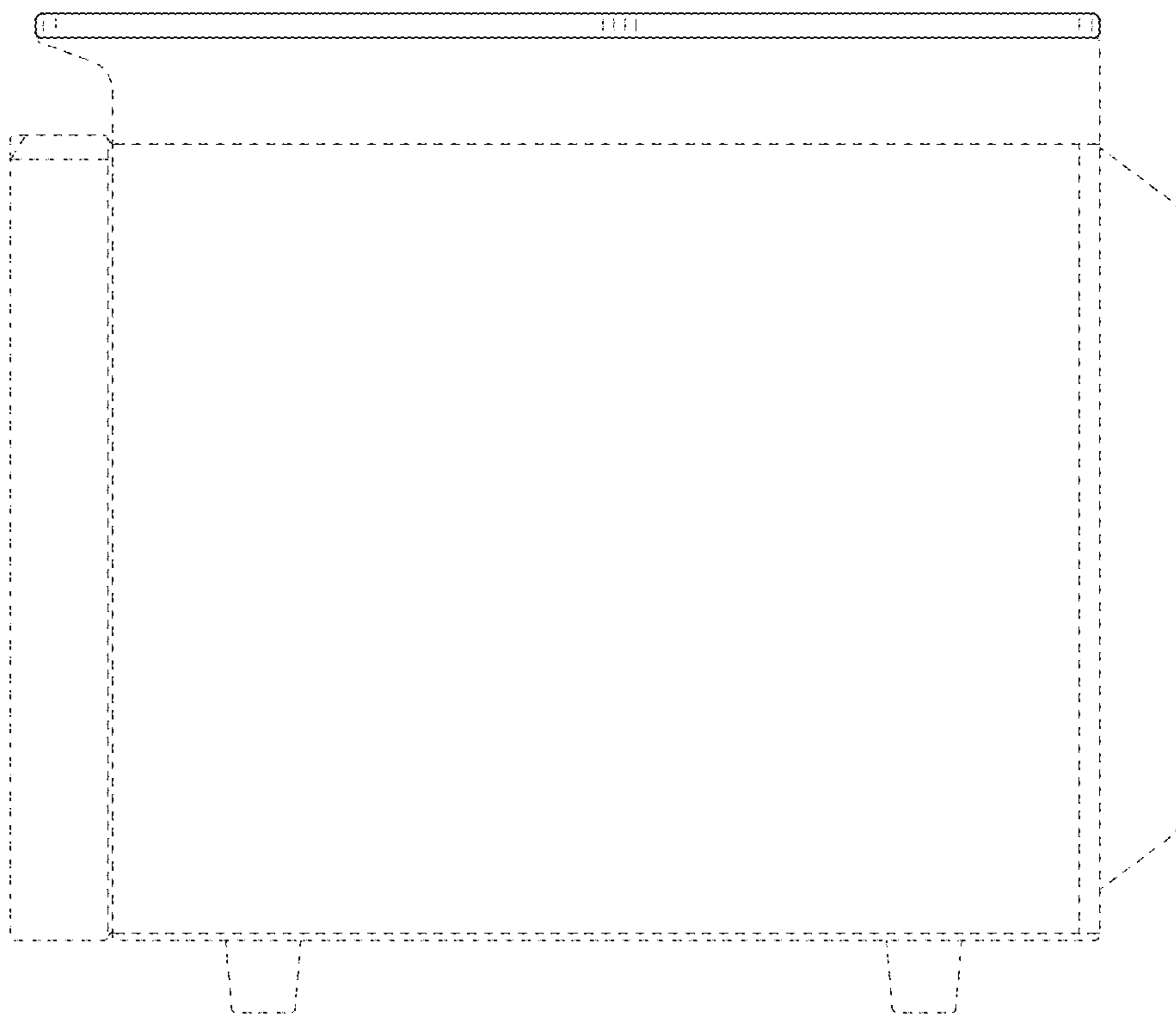


FIG. 6

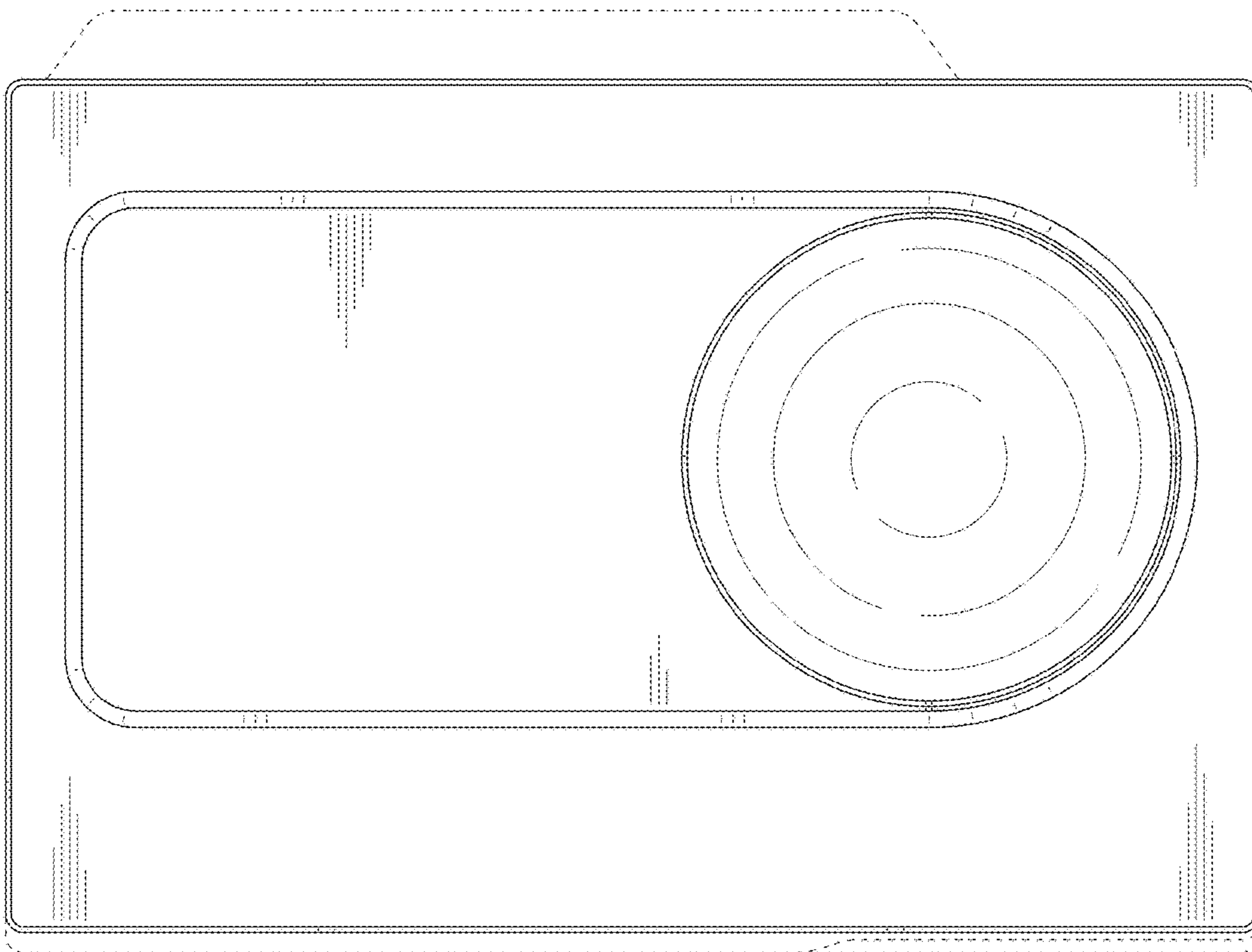


FIG. 7

