



US00D778668S

(12) **United States Design Patent** (10) **Patent No.:** **US D778,668 S**  
**Hojo** (45) **Date of Patent:** **\*\* Feb. 14, 2017**

(54) **COFFEE DRIPPER**  
(71) Applicant: **WORLD CREATE, INC.**, Tokyo (JP)  
(72) Inventor: **Masaru Hojo**, Tokyo (JP)  
(73) Assignee: **WORLD CREATE, INC.**, Tokyo (JP)  
(\*\*) Term: **15 Years**  
(21) Appl. No.: **29/534,490**  
(22) Filed: **Jul. 29, 2015**  
(30) **Foreign Application Priority Data**

Jun. 4, 2015 (JP) ..... 2015-12428  
(51) **LOC (10) Cl.** ..... **07-01**  
(52) **U.S. Cl.**  
USPC ..... **D7/400; D7/667; D7/700**  
(58) **Field of Classification Search**  
USPC ..... D7/399, 400, 667, 700, 515, 397, 506,  
D7/507, 668; D9/607; D23/209; 99/322  
CPC ..... B65D 25/24; A47J 31/0636; A47J 27/16;  
A47G 19/00; A47G 21/04; A47G 19/16  
See application file for complete search history.

(56) **References Cited**  
U.S. PATENT DOCUMENTS  
5,139,166 A \* 8/1992 Smith ..... A47G 19/30  
220/23.83  
D360,106 S \* 7/1995 Sintchak ..... D7/399  
D370,051 S \* 5/1996 Samson ..... D23/209  
D381,866 S \* 8/1997 St-Gelais ..... D7/300  
D386,043 S \* 11/1997 Chiag ..... D7/400  
6,497,818 B1 \* 12/2002 Bunn ..... A47J 31/0631  
210/238  
D550,036 S \* 9/2007 Holcomb ..... D7/512

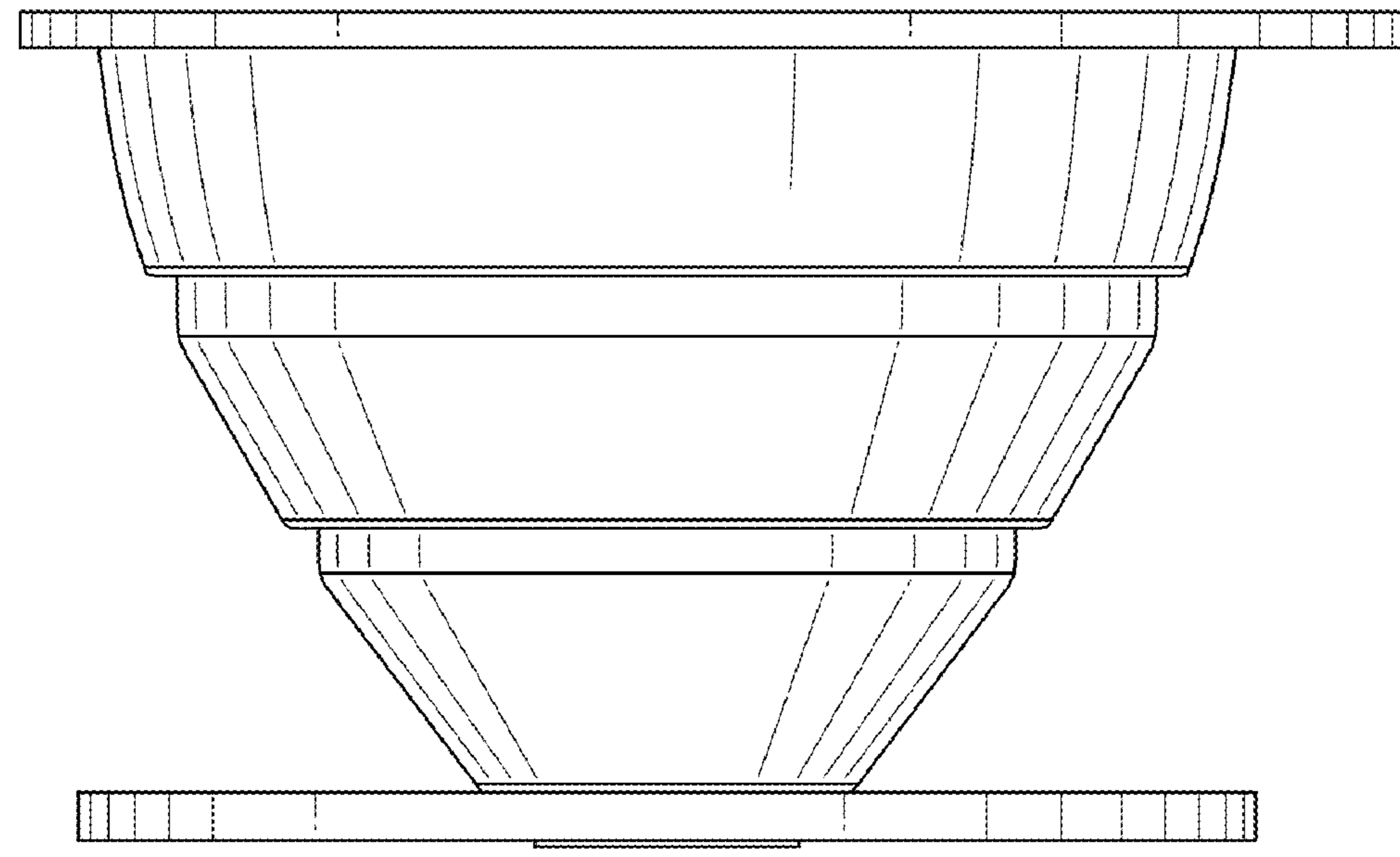
D558,536 S \* 1/2008 Curtin ..... D7/667  
D560,106 S \* 1/2008 Curtin ..... D7/700  
D571,614 S \* 6/2008 Curtin ..... D7/545  
D574,673 S \* 8/2008 Tsui ..... D7/667  
D593,383 S \* 6/2009 Pallotto ..... D7/700  
7,678,271 B2 \* 3/2010 Curtin ..... A47J 43/24  
141/337

(Continued)  
*Primary Examiner* — Marianne Pandozzi  
(74) *Attorney, Agent, or Firm* — Wenderoth, Lind & Ponack, L.L.P.

(57) **CLAIM**  
The ornamental design for a coffee dripper, as shown and described.

**DESCRIPTION**  
FIG. 1 is a front elevation view of a coffee dripper showing my new design,  
FIG. 2 is a top plan view thereof;  
FIG. 3 is a left side elevation view thereof. A right side view thereof is the same as FIG. 3.  
FIG. 4 is a bottom plan view thereof;  
FIG. 5 is a sectional view according to the line 5-5 showing in FIG. 2.  
FIG. 6 is a front elevational view thereof in folded position;  
FIG. 7 is a top plan view thereof in folded position;  
FIG. 8 is a bottom plan view thereof in folded position;  
FIG. 9 is a bottom plan view thereof in folded position;  
FIG. 10 is a sectional view according to the line 10-10 showing in FIG. 7.  
FIG. 11 is an in use front elevational view of the coffee dripper; and,  
FIG. 12 is an isometric view showing coffee dripper.  
The broken lines in the drawing depict environmental subject matter only and form no part of the claimed design.

**1 Claim, 7 Drawing Sheets**



(56)

**References Cited**

U.S. PATENT DOCUMENTS

D635,398	S	*	4/2011	Watabe	.....	D7/400
D645,705	S	*	9/2011	Shamoon	.....	D7/543
D652,745	S	*	1/2012	Lee	.....	D10/46.2
D656,800	S	*	4/2012	Lee	.....	D7/667
D662,794	S	*	7/2012	Enghard	.....	D7/700
D664,003	S	*	7/2012	Nagoya	.....	D7/400
D669,750	S	*	10/2012	Lee	.....	D7/700
D675,482	S	*	2/2013	Heggestad	.....	D7/400
D701,424	S	*	3/2014	Shamoon	.....	D10/46.2
D714,105	S	*	9/2014	Lee	.....	D7/667
D729,005	S	*	5/2015	Lee	.....	D7/399
D731,862	S	*	6/2015	Kent	.....	D7/667
9,211,030	B2	*	12/2015	France	.....	A47J 27/16
D756,705	S	*	5/2016	Abrams	.....	D7/510
D756,771	S	*	5/2016	Covey	.....	D7/400
D759,420	S	*	6/2016	Lee	.....	D7/354

\* cited by examiner

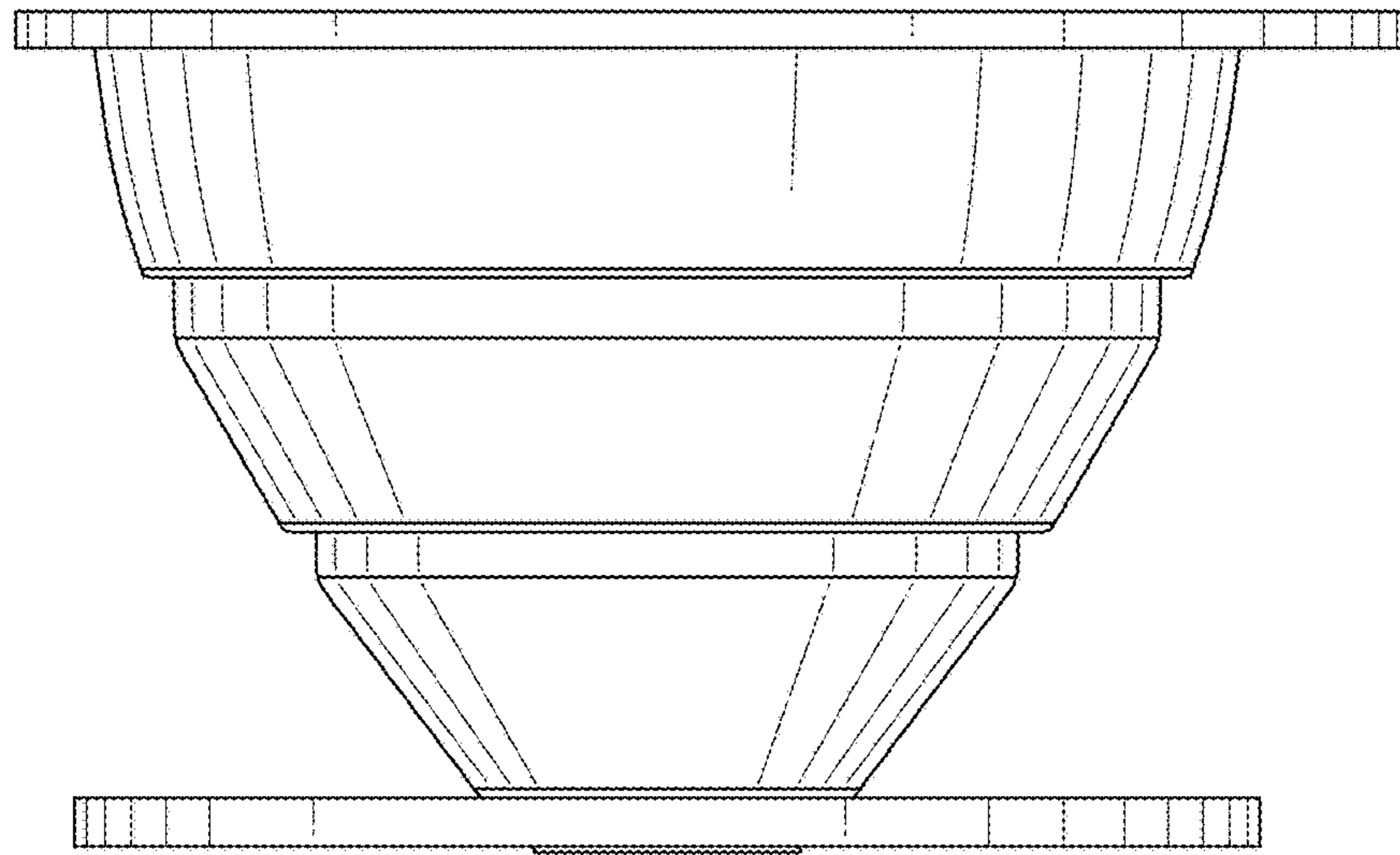


Fig. 1

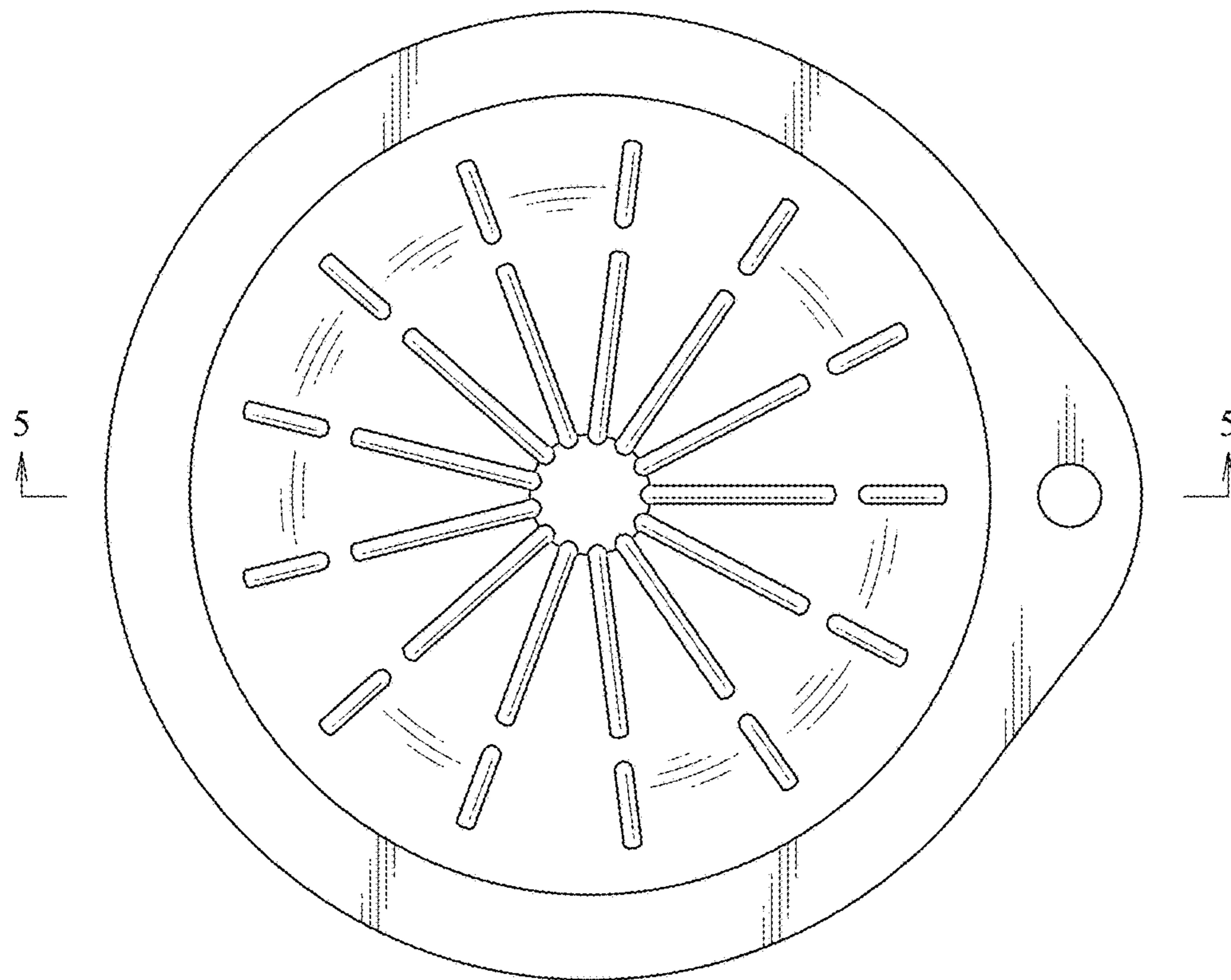


Fig. 2

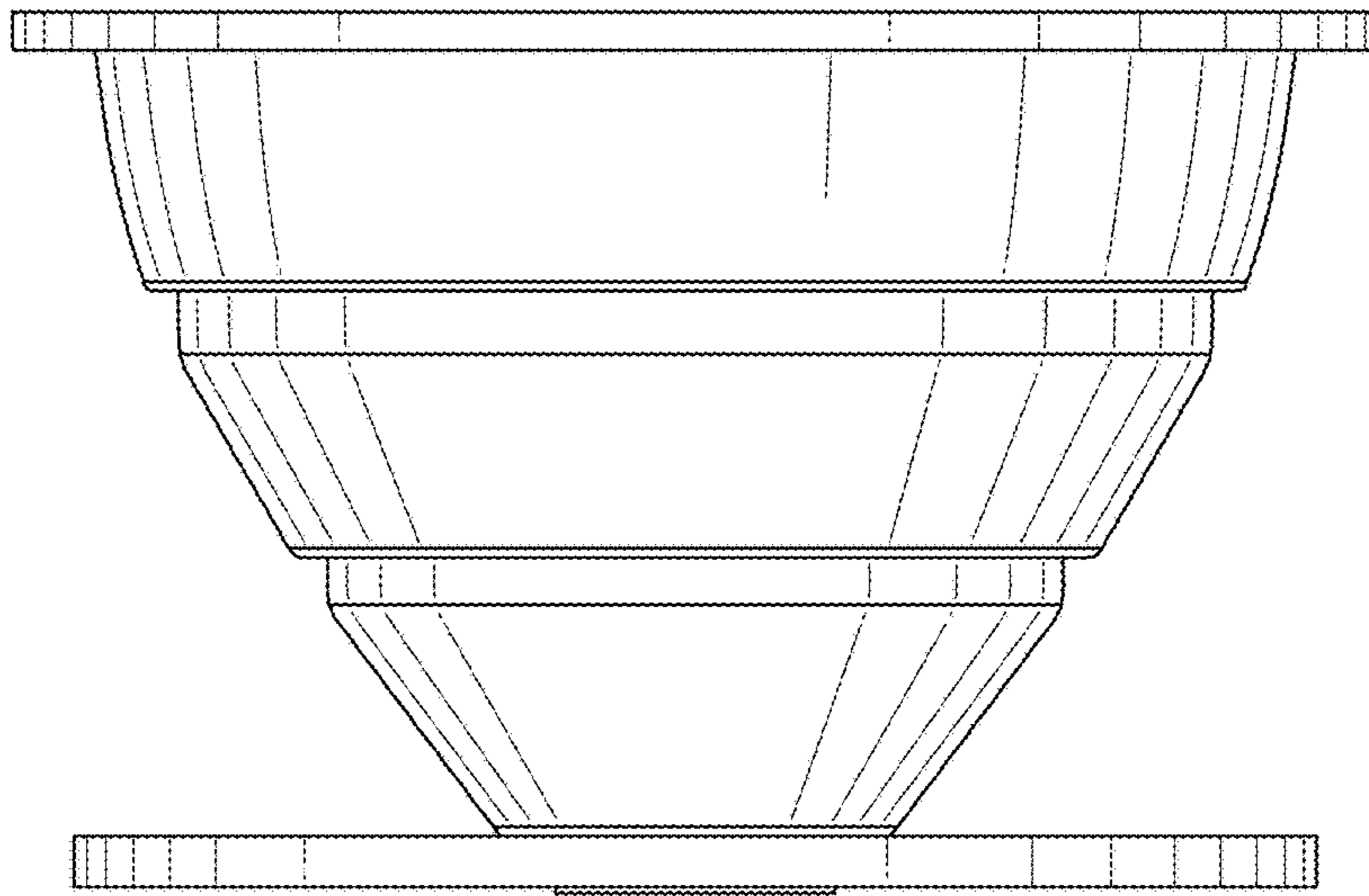


Fig. 3

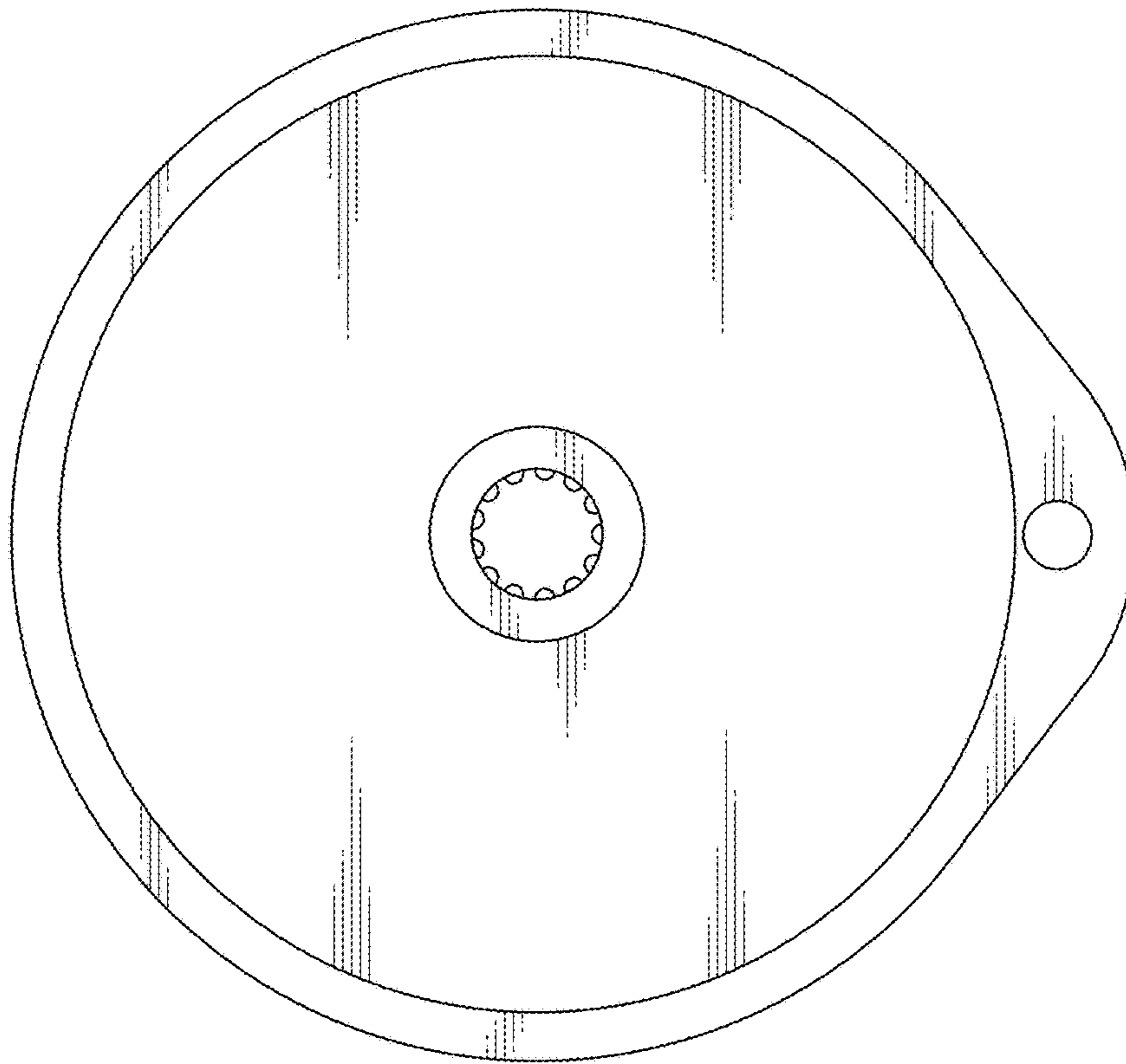


Fig. 4

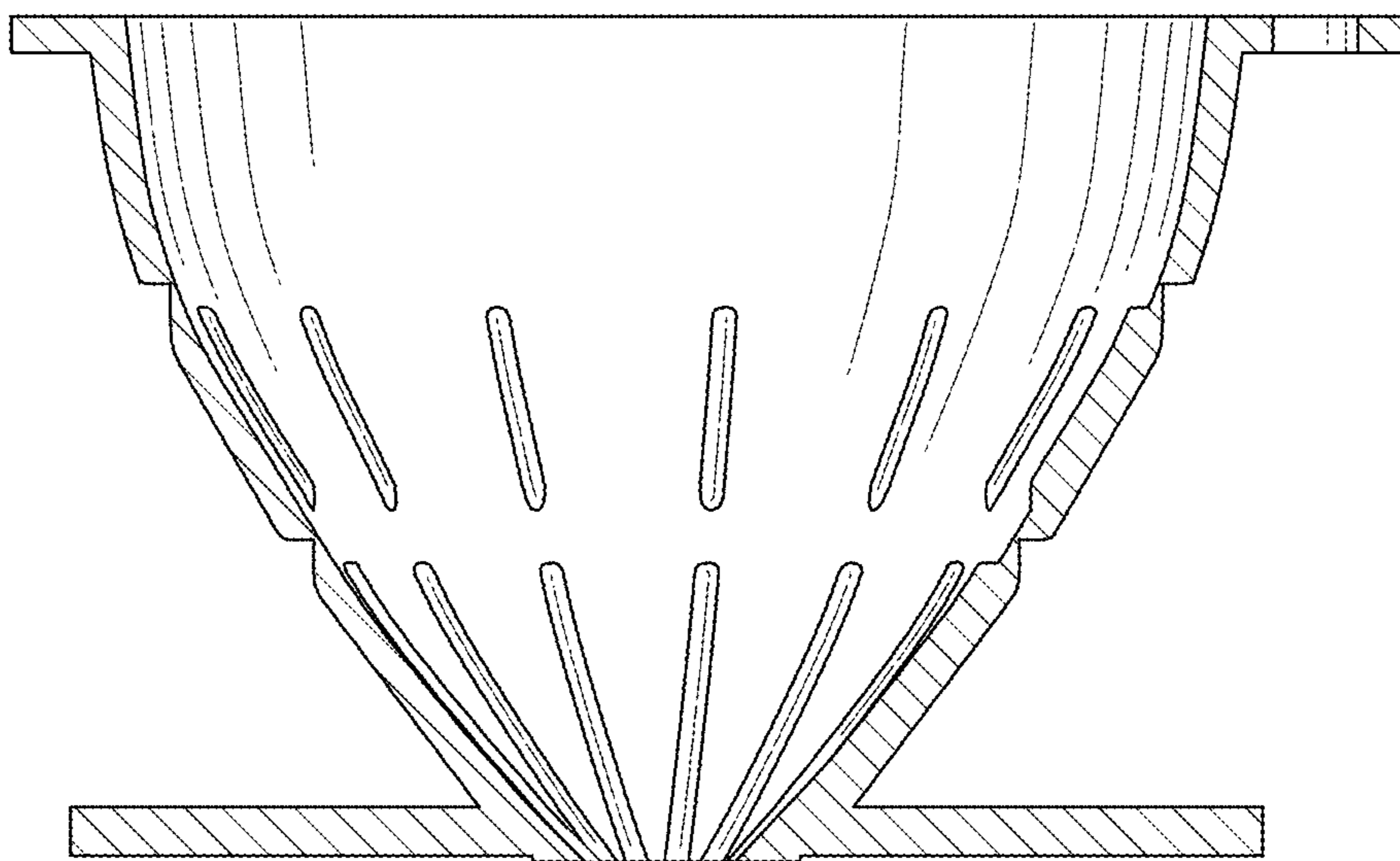


Fig. 5

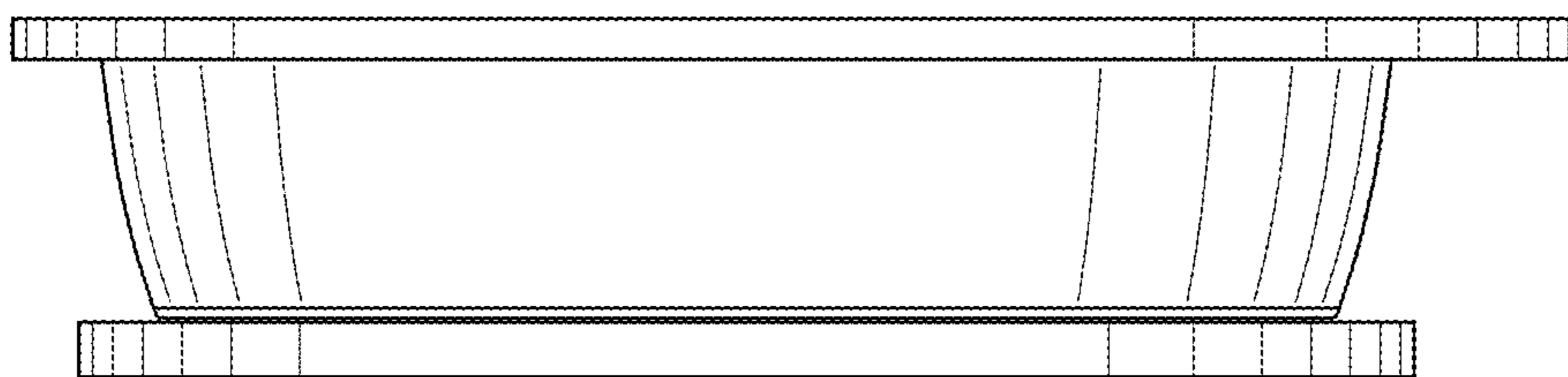


Fig. 6

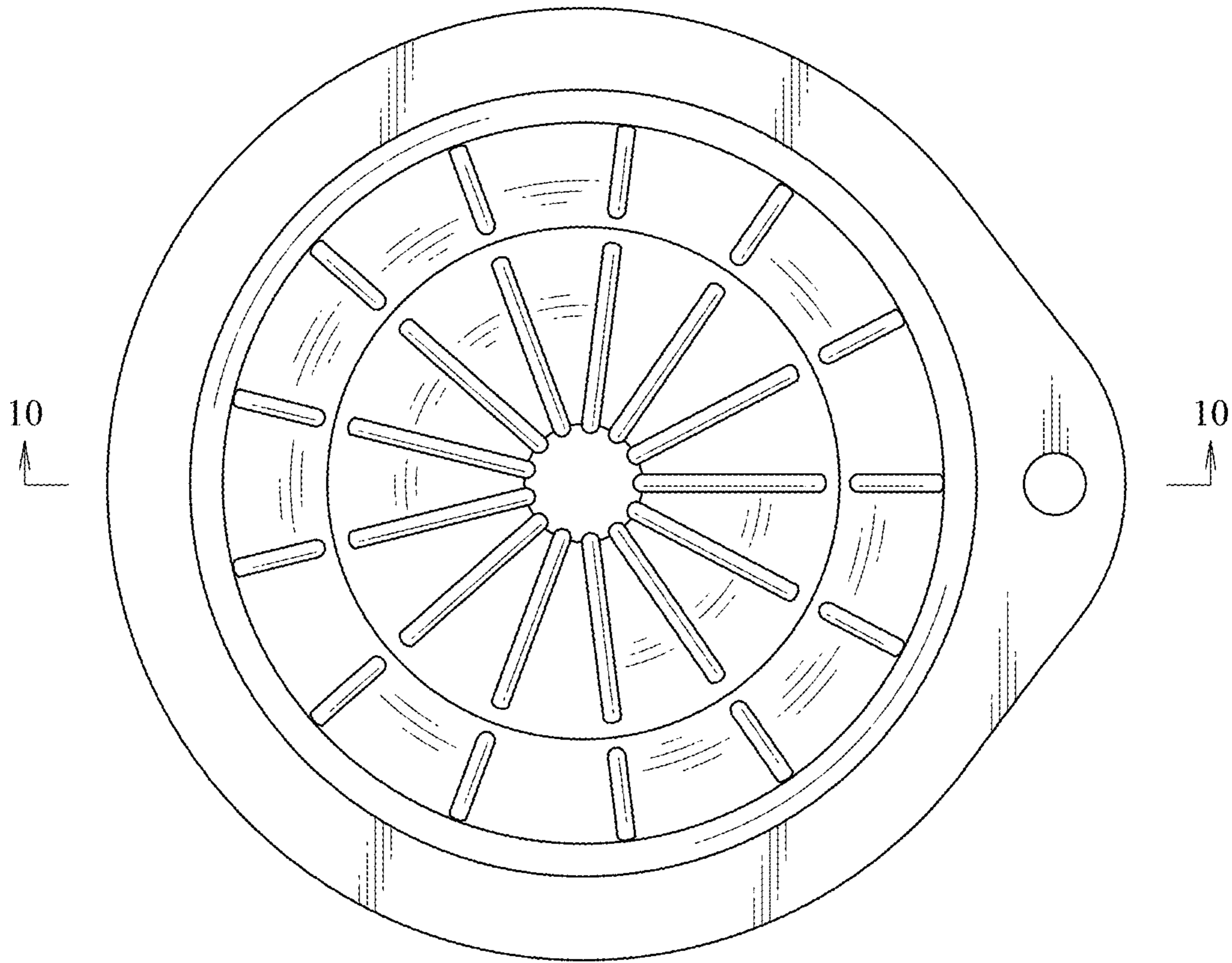


Fig. 7

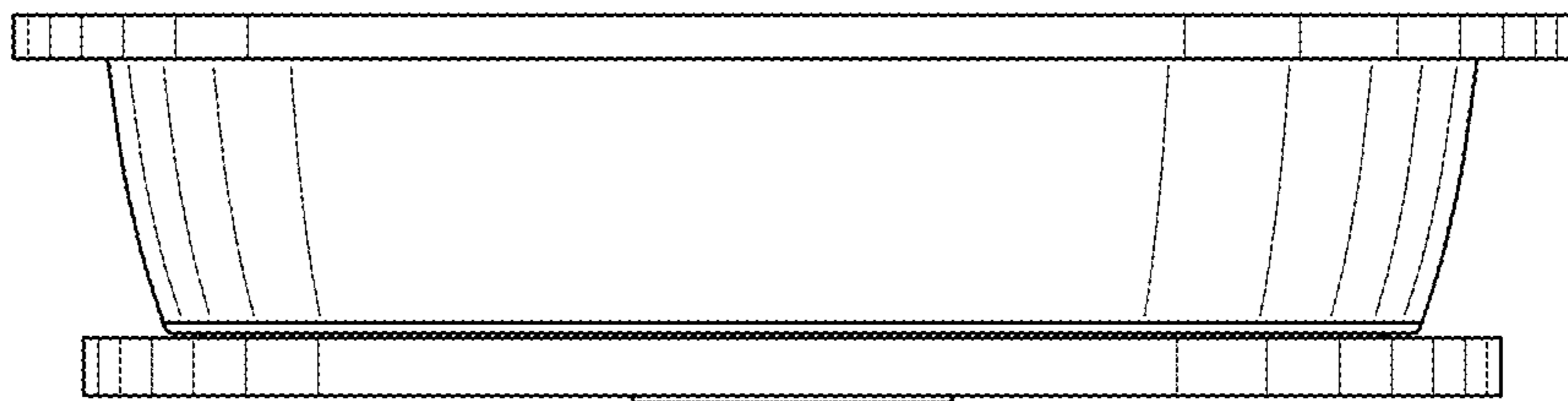


Fig. 8

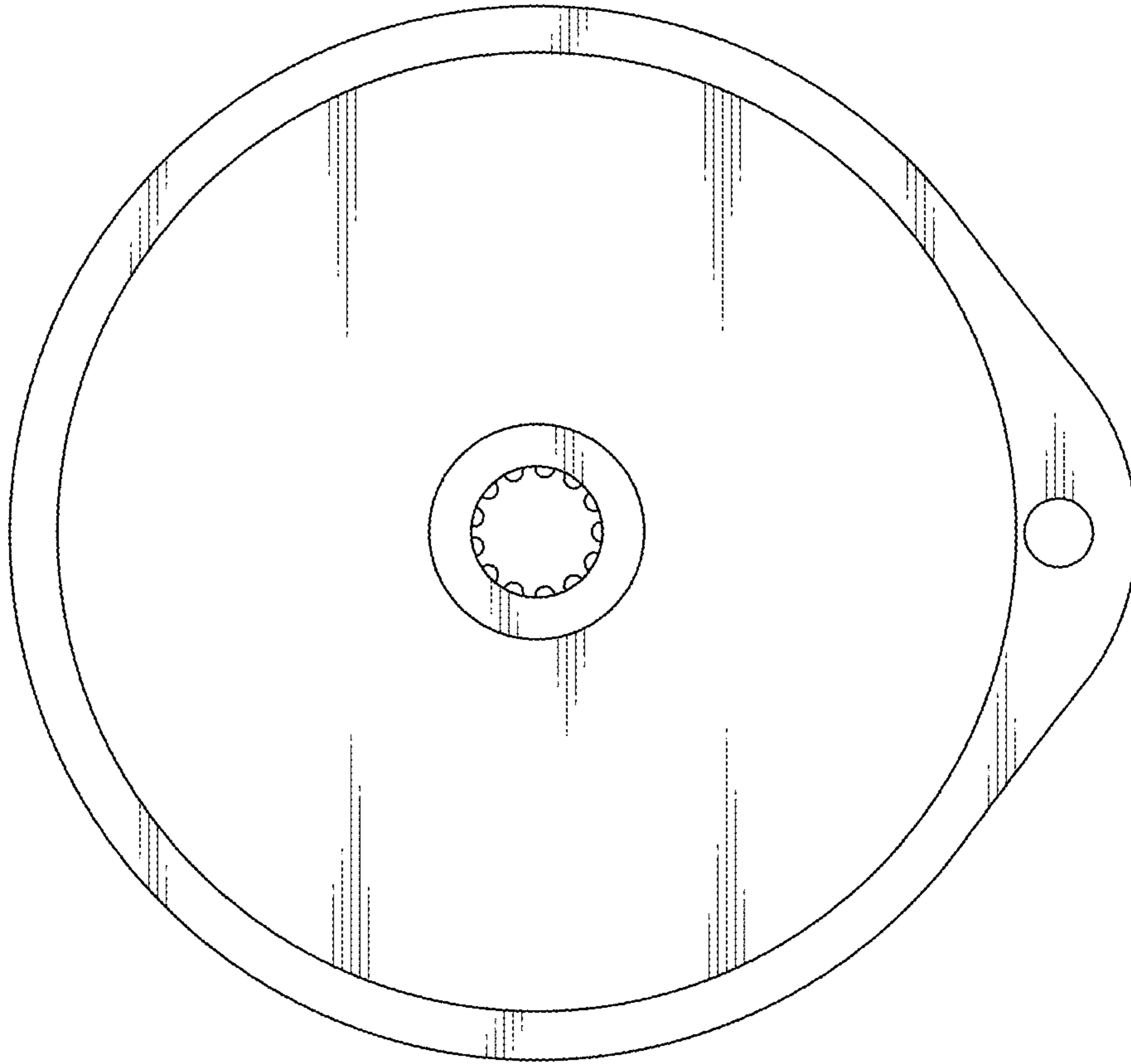


Fig. 9

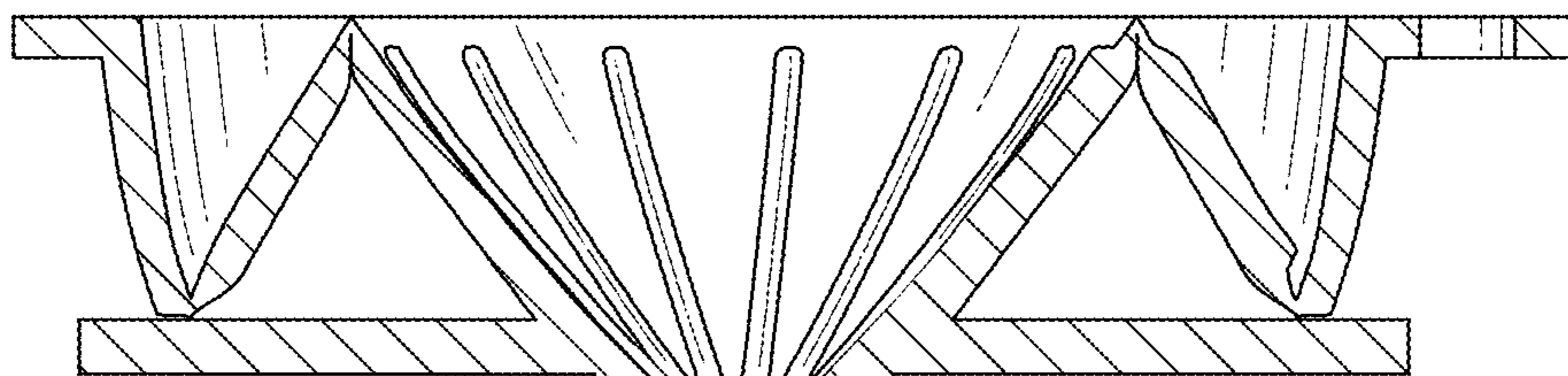


Fig. 10

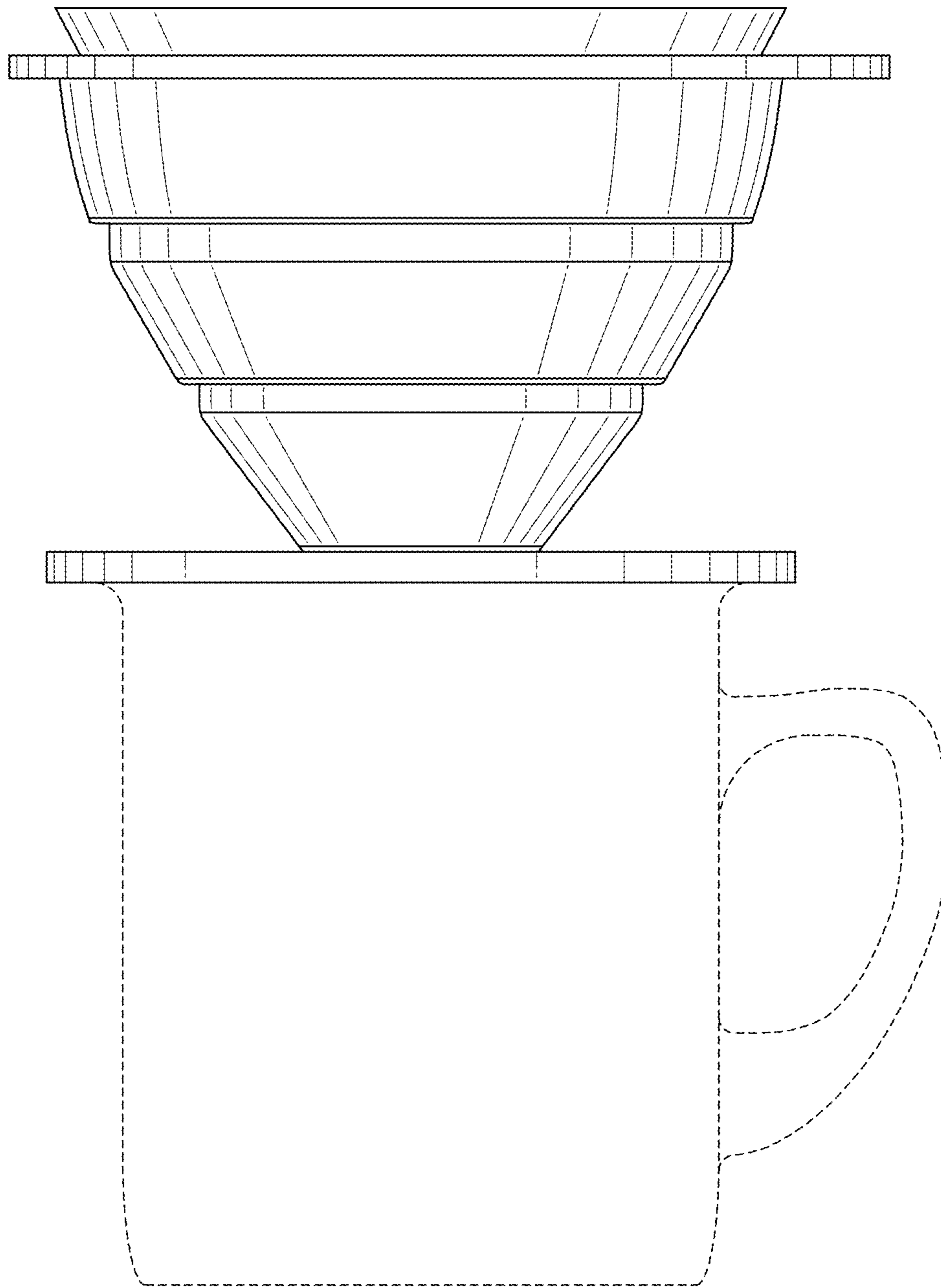


Fig. 11



FIG. 12

