



US00D778667S

(12) **United States Design Patent** (10) **Patent No.:** **US D778,667 S**  
**Casper et al.** (45) **Date of Patent:** **\*\* Feb. 14, 2017**

(54) **VENTURI DEVICE**  
(71) Applicants: **Thomas J Casper**, Waukesha, WI  
(US); **Jeffrey Casper**, Minneapolis, MN  
(US)

(72) Inventors: **Thomas J Casper**, Waukesha, WI  
(US); **Jeffrey Casper**, Minneapolis, MN  
(US)

(\*\*) Term: **15 Years**

(21) Appl. No.: **29/530,931**

(22) Filed: **Jun. 22, 2015**

**Related U.S. Application Data**

(62) Division of application No. 13/398,391, filed on Feb. 16, 2012, now abandoned.

(51) **LOC (10) Cl.** ..... **07-99**

(52) **U.S. Cl.**  
USPC ..... **D7/398**; D7/397; D9/436

(58) **Field of Classification Search**

USPC ..... D7/396.2, 213, 398, 397, 400, 667, 700,  
D7/387; D9/436, 435, 440; 261/DIG. 75,  
261/76; 99/275, 323.1; 222/190;  
366/163.2

CPC ... B01F 3/04503; B01F 3/0446; B01F 5/0428;  
B01F 3/04794; B01F 2215/0072; B60D  
47/32

See application file for complete search history.

(56) **References Cited**

**U.S. PATENT DOCUMENTS**

141,361 A 7/1873 Korting  
513,857 A 1/1894 Adam  
846,395 A 3/1907 Busenbenz  
1,052,051 A 2/1913 Grimes  
1,786,357 A 12/1930 Miller  
2,241,337 A 5/1941 Work  
2,424,654 A 7/1947 Blount  
2,899,971 A 8/1959 Munter  
3,038,809 A 6/1962 Fitzmaurice et al.

3,304,564 A 2/1967 Green et al.  
3,643,688 A 2/1972 Meinert  
4,051,204 A 9/1977 Muller et al.  
4,157,304 A 6/1979 Molvar  
4,215,081 A \* 7/1980 Brooks ..... B01F 3/04517  
261/122.1  
4,264,212 A 4/1981 Tookey  
4,308,138 A \* 12/1981 Woltman ..... B01F 3/0876  
210/220  
4,389,312 A \* 6/1983 Beard ..... C02F 3/1294  
210/194  
4,405,087 A 9/1983 Mata-Garza  
(Continued)

**FOREIGN PATENT DOCUMENTS**

BR 8702702 12/2007  
CN 201379435 4/2009

(Continued)

**OTHER PUBLICATIONS**

International Search Report and Written Opinion for PCT/US12/25444, dated May 29, 2012.

*Primary Examiner* — Marianne Pandozzi  
(74) *Attorney, Agent, or Firm* — Ryan Kromholz & Manion, S.C.

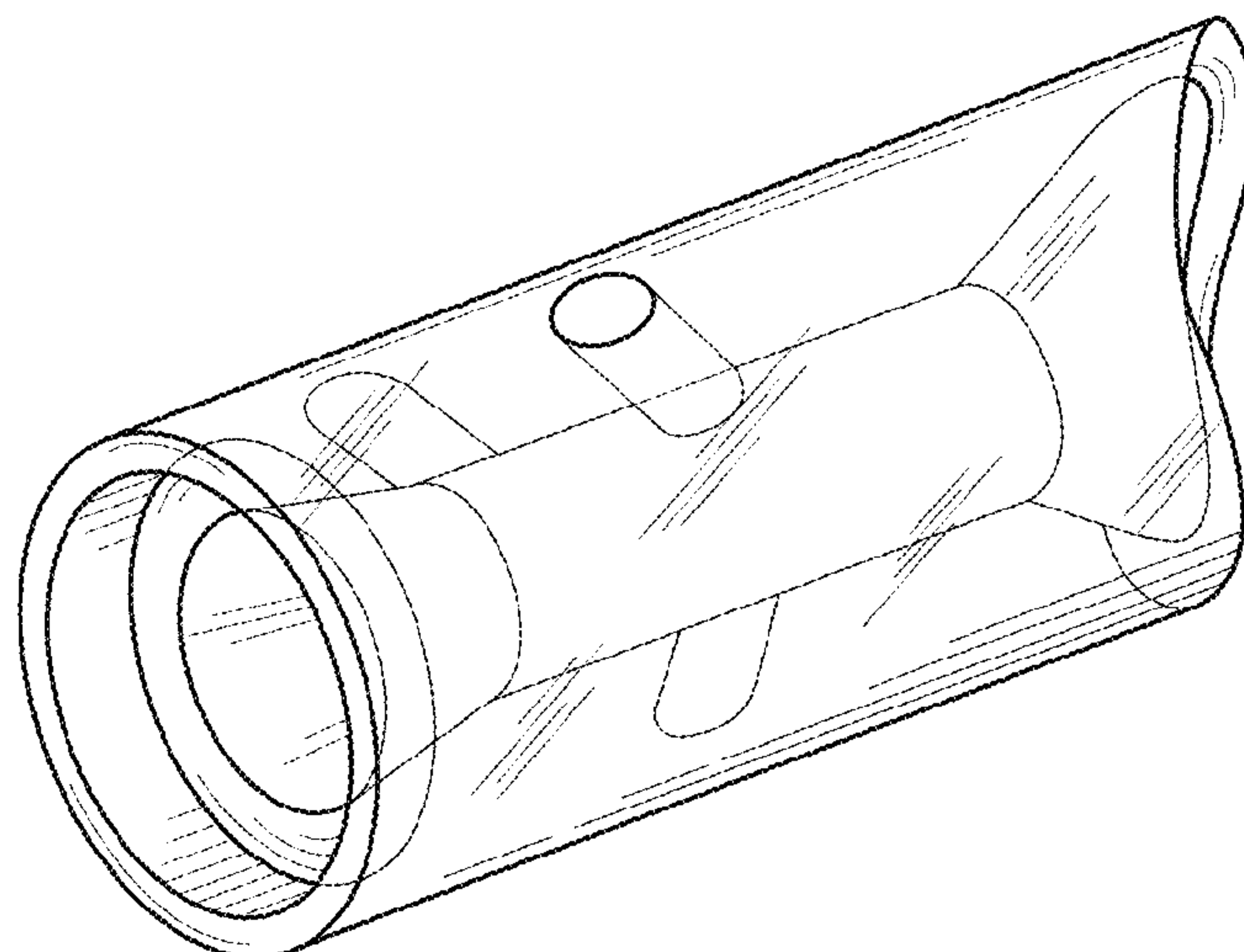
(57) **CLAIM**

The ornamental design for a venturi device, as shown and described.

**DESCRIPTION**

FIG. 1 is a perspective view of a venturi device showing my new design;  
FIG. 2 is a front view thereof;  
FIG. 3 is a rear view thereof;  
FIG. 4 is a right side view thereof;  
FIG. 5 is a left side view thereof;  
FIG. 6 is a top plan view thereof; and,  
FIG. 7 is a bottom plan view thereof.

**1 Claim, 2 Drawing Sheets**



(56)

References Cited

U.S. PATENT DOCUMENTS

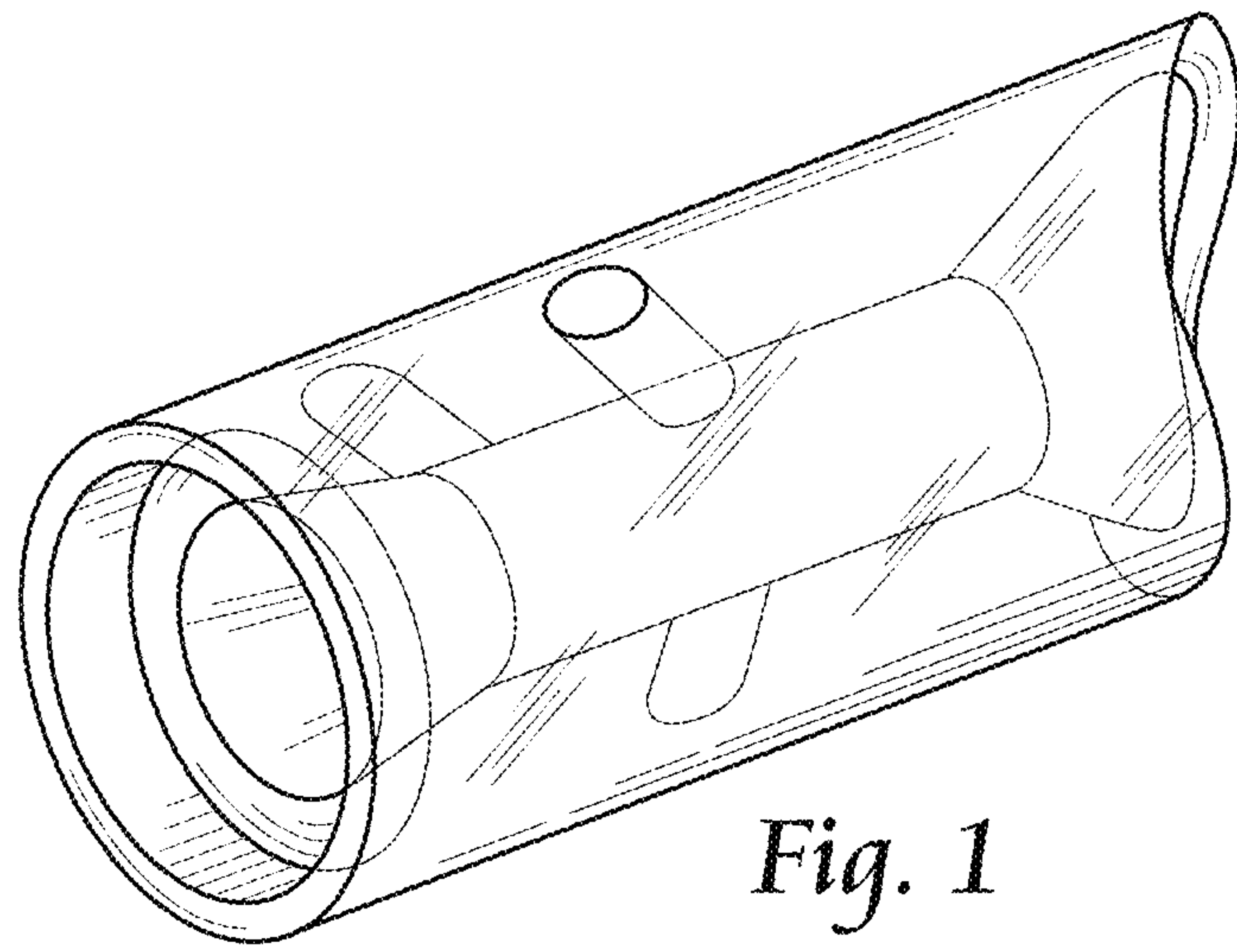
4,573,803 A 3/1986 Gritters et al.  
 4,595,121 A 6/1986 Schultz  
 4,721,126 A 1/1988 Horii  
 4,761,077 A 8/1988 Werner  
 5,211,475 A 5/1993 McDermott  
 5,403,475 A \* 4/1995 Allen ..... B01D 19/0005  
 159/47.1  
 5,538,027 A 7/1996 Adamson et al.  
 5,577,670 A 11/1996 Omata et al.  
 5,595,104 A 1/1997 Delaplaine  
 5,645,223 A 7/1997 Hull et al.  
 5,713,263 A \* 2/1998 Burks, III ..... B01F 3/0446  
 99/277.2  
 5,839,670 A 11/1998 Omata et al.  
 5,893,641 A \* 4/1999 Garcia ..... B01F 5/0413  
 137/888  
 6,253,667 B1 7/2001 Lussi et al.  
 6,279,611 B2 8/2001 Uematsu et al.  
 6,290,917 B1 9/2001 Yamamoto  
 6,299,343 B1 10/2001 Pekerman  
 6,523,991 B1 2/2003 Maklad  
 6,568,660 B1 5/2003 Flanbaum et al.  
 6,623,154 B1 9/2003 Garcia  
 6,986,506 B2 \* 1/2006 Chapman ..... B01F 3/0446  
 261/116  
 6,994,276 B2 2/2006 Faye et al.  
 7,140,558 B2 11/2006 McCracken et al.  
 7,156,377 B2 1/2007 Chapman et al.  
 7,188,743 B1 3/2007 Gates et al.  
 7,299,743 B2 11/2007 Moore  
 7,614,614 B2 \* 11/2009 Sabadicci ..... B01F 5/0413  
 261/76  
 7,726,870 B1 6/2010 Lott  
 D624,355 S 9/2010 Tiso

D624,358 S \* 9/2010 Maufette ..... D7/387  
 7,841,584 B2 \* 11/2010 Sabadicci ..... B01F 5/0413  
 261/76  
 D655,977 S \* 3/2012 Hassur ..... D7/213  
 8,485,503 B2 \* 7/2013 Lei ..... B01F 3/04751  
 261/119.1  
 8,590,865 B2 \* 11/2013 Heyman ..... B01F 5/043  
 261/111  
 8,727,324 B2 \* 5/2014 Borden ..... B01F 5/0428  
 222/190  
 8,807,358 B2 \* 8/2014 Devoy ..... B01F 3/0446  
 215/309  
 D720,959 S \* 1/2015 Mok ..... D7/392  
 8,925,443 B2 \* 1/2015 Agarwal ..... B01F 5/0426  
 99/277.1  
 9,120,065 B2 \* 9/2015 Santrach ..... B01F 3/04794  
 D741,645 S \* 10/2015 Lau ..... D7/397  
 9,205,385 B2 \* 12/2015 Sabadicci ..... B01F 3/0446  
 9,399,197 B2 \* 7/2016 Graham ..... B01F 5/0428  
 2002/0069645 A1 6/2002 Mowill  
 2003/0232115 A1 12/2003 Eckenhausen et al.  
 2006/0027938 A1 2/2006 Chapman et al.  
 2007/0187848 A1 8/2007 Sabadicci et al.  
 2007/0295761 A1 12/2007 Simons  
 2009/0160072 A1 6/2009 Chiorazzi  
 2011/0042835 A1 2/2011 Sabadicci et al.  
 2012/0206993 A1 \* 8/2012 Casper ..... B01F 3/04503  
 366/163.2  
 2015/0174537 A1 \* 6/2015 Foldesi, Jr. .... B01F 3/04794  
 261/79.2

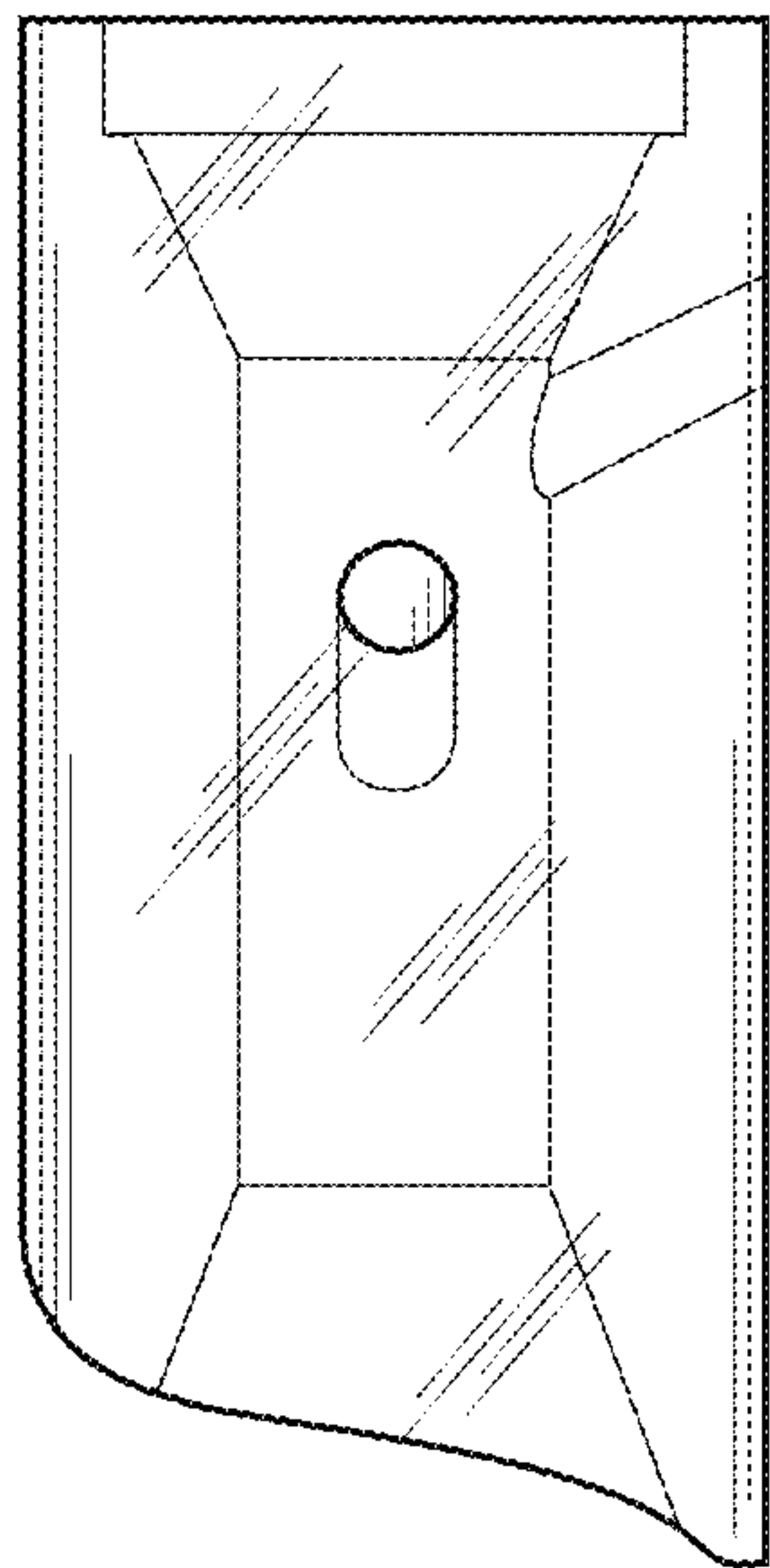
FOREIGN PATENT DOCUMENTS

DE 29710631 6/1997  
 GB 323242 6/1928  
 SU 605830 8/1976

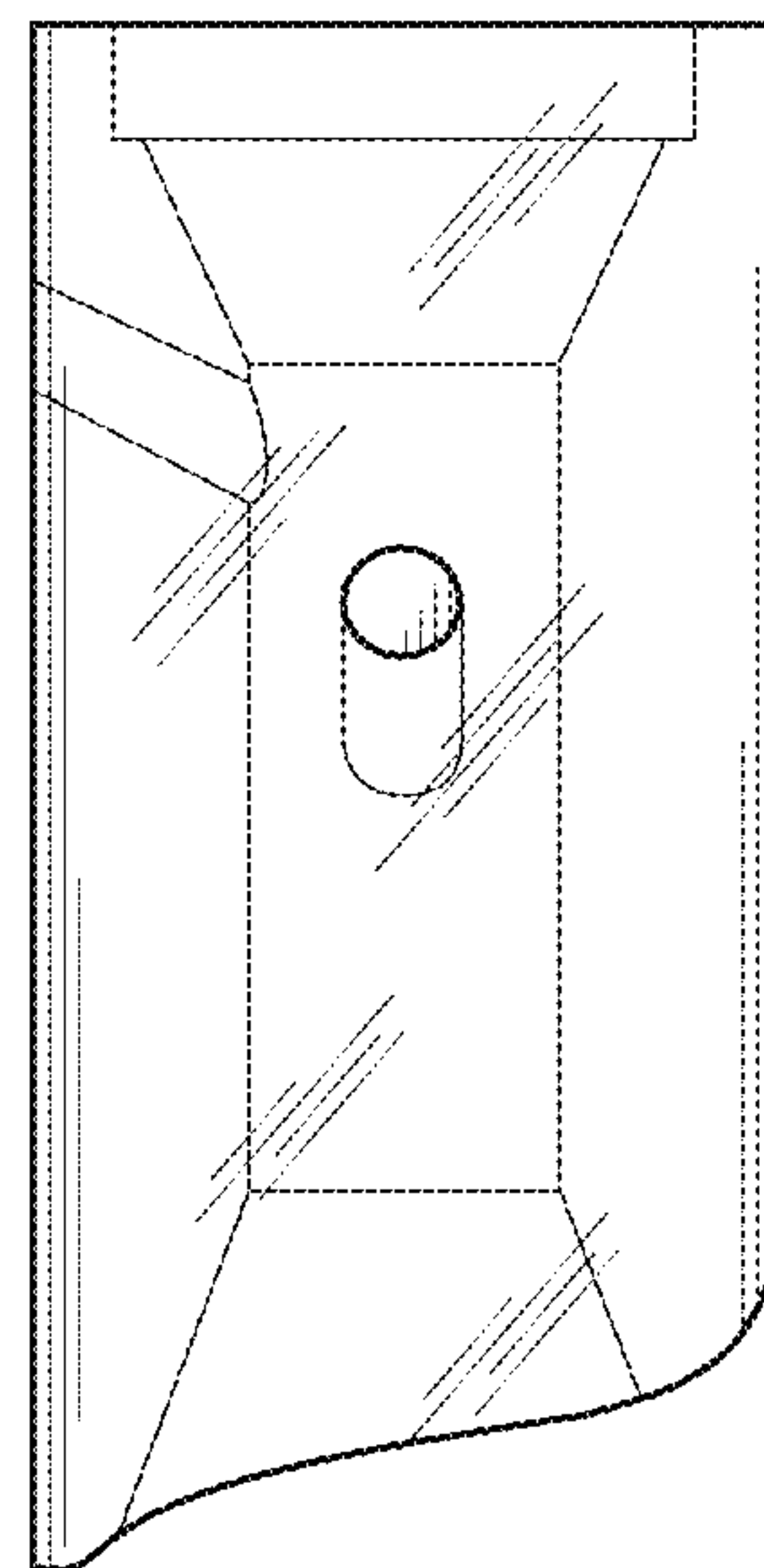
\* cited by examiner



*Fig. 1*

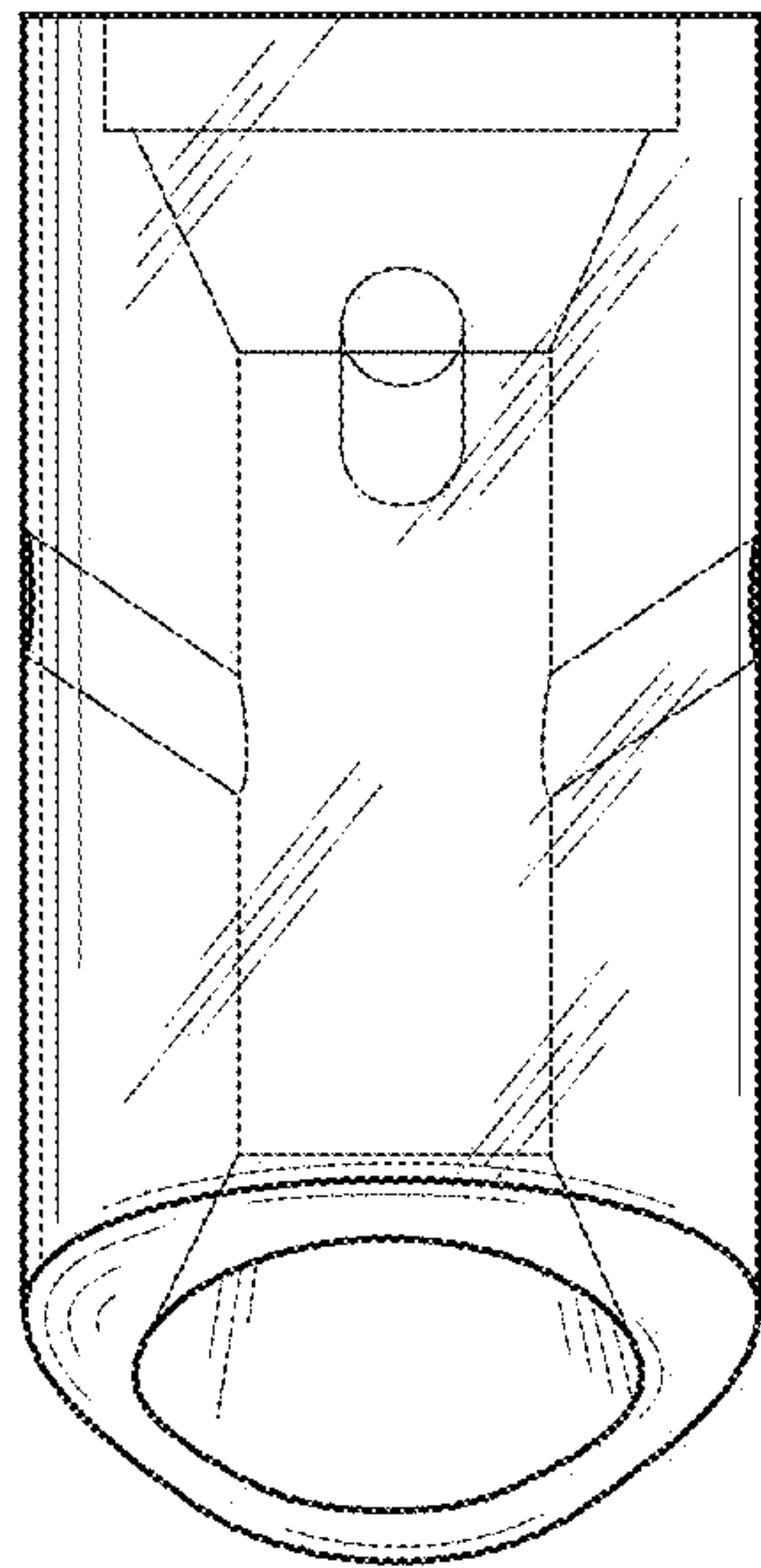


*Fig. 2*

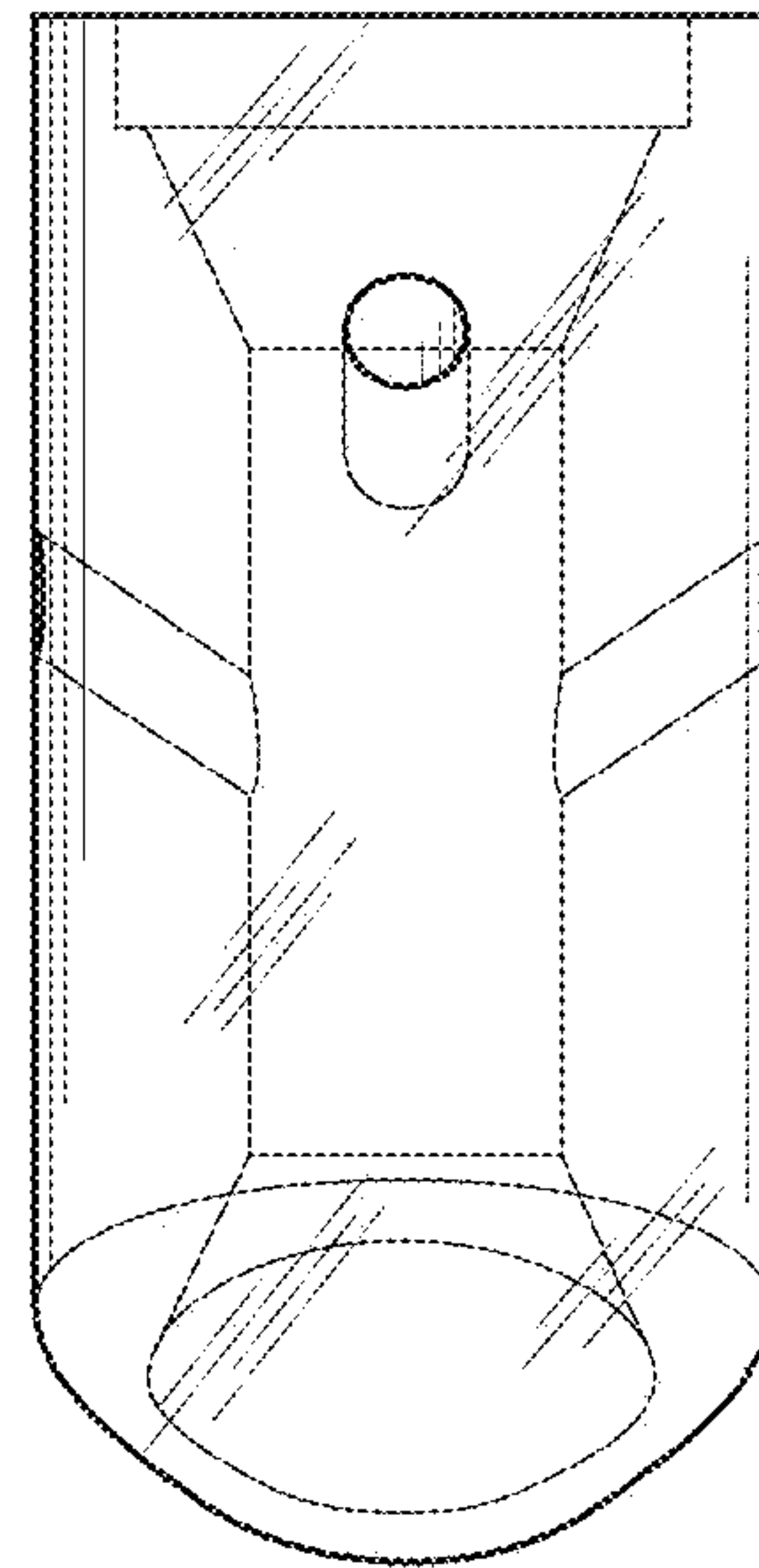


*Fig. 3*

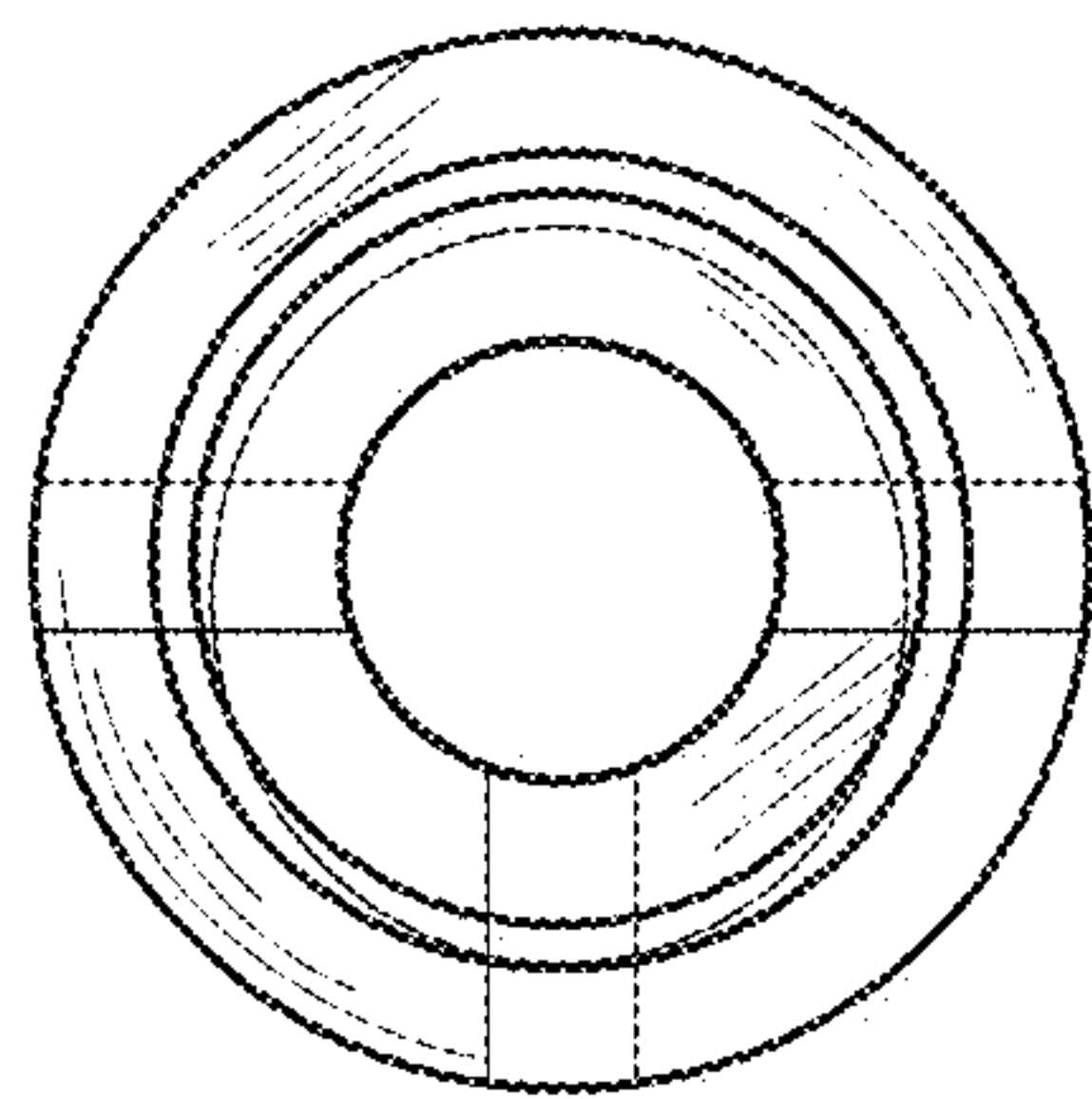




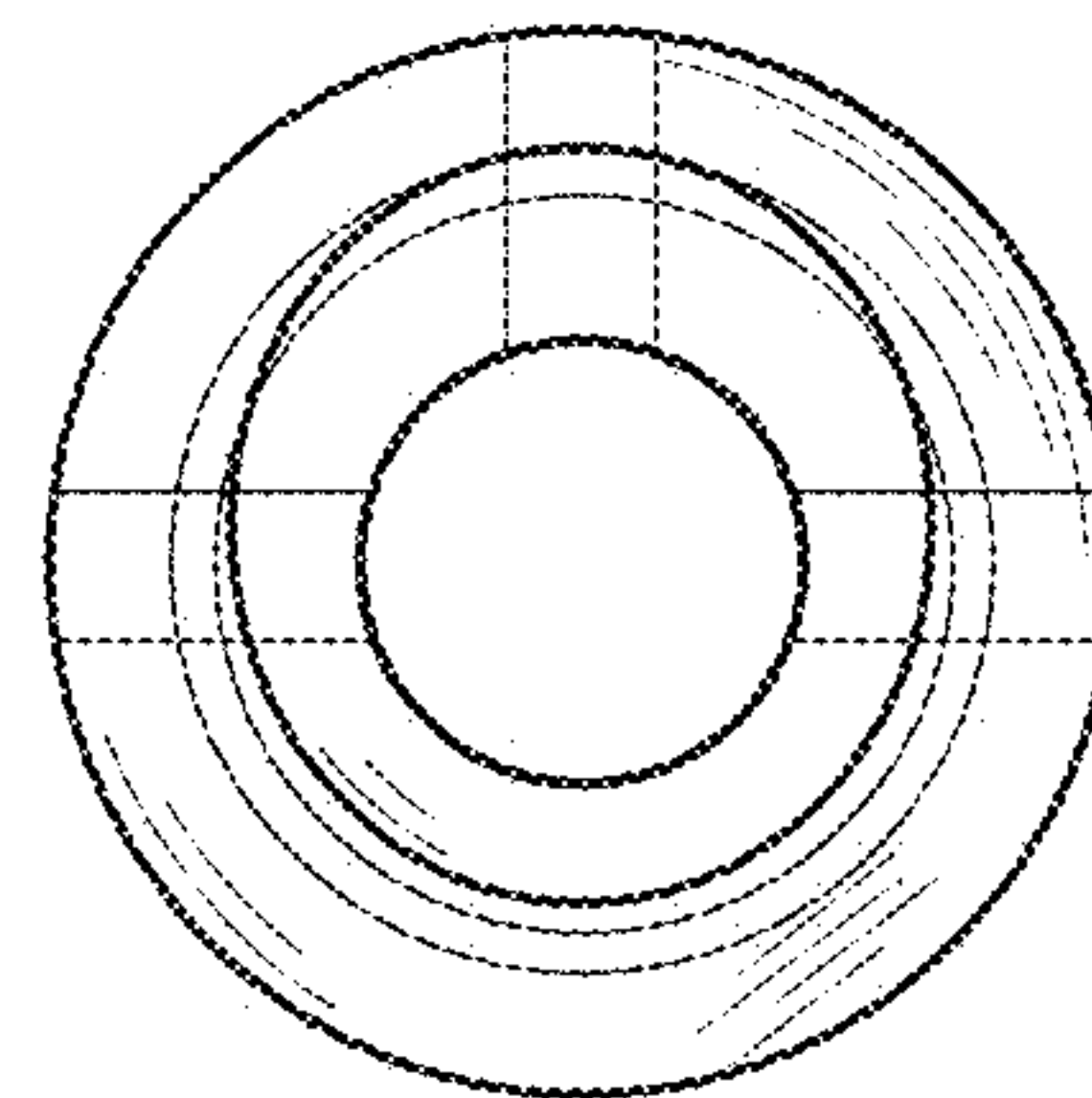
*Fig. 4*



*Fig. 5*



*Fig. 6*



*Fig. 7*