



US00D778666S

(12) **United States Design Patent**
De Leo

(10) **Patent No.:** **US D778,666 S**
(45) **Date of Patent:** **** Feb. 14, 2017**

(54) **CAP FOR A FOOD SHAKER AND BLENDER**

(71) Applicant: **Dart Industries Inc.**, Orlando, FL (US)

(72) Inventor: **Anthony M. De Leo**, Clarkston, MI (US)

(73) Assignee: **Dart Industries Inc.**, Orlando, FL (US)

(**) Term: **14 Years**

(21) Appl. No.: **29/478,868**

(22) Filed: **Jan. 9, 2014**

Related U.S. Application Data

(63) Continuation-in-part of application No. 29/421,661, filed on Aug. 28, 2012, now Pat. No. Des. 699,996.

(51) **LOC (10) Cl.** **07-99**

(52) **U.S. Cl.**
USPC **D7/392.1; D7/392; D9/445**

(58) **Field of Classification Search**
USPC D7/509, 523, 507, 533, 536, 532, 524, D7/527, 528, 537, 510, 511, 591, 300.1, D7/380, 598, 315, 608, 619.1, 900, D7/392.1 M, 396.2, 397.1, 392; 220/678, 220/738, 4.03, 598, 833, 245.3; 215/365, 215/377, 386, 11.1; 248/145.3; D9/446, D9/447, 449, 450, 445
CPC A47G 19/2211; A45F 3/16; B65D 47/08
See application file for complete search history.

(56) **References Cited**

U.S. PATENT DOCUMENTS

2,752,971 A 7/1956 Tupper
3,820,692 A 6/1974 Swett et al.
D233,116 S 10/1974 Swett
D374,147 S 10/1996 Lillelund et al.

D510,235 S 10/2005 Sorensen
D538,597 S 3/2007 Kim
D552,929 S 10/2007 de Groote
D553,435 S 10/2007 de Groote
D565,353 S * 4/2008 Roth et al. D7/510
D580,227 S * 11/2008 Roth et al. D7/510
D597,365 S 8/2009 Oas
D621,220 S * 8/2010 Lown et al. D7/510
D632,918 S 2/2011 Gordon
D644,065 S 8/2011 Llerena
D646,919 S 10/2011 Nilsson
D656,357 S 3/2012 Enghard
D666,047 S * 8/2012 Lin D7/300.1
D677,121 S * 3/2013 Meyers et al. D7/510
D683,575 S * 6/2013 Devlin D7/300.1
D687,661 S * 8/2013 Cetera et al. D7/300.1
D688,520 S * 8/2013 Lin D7/507
D723,916 S * 3/2015 Hughes D9/445

* cited by examiner

Primary Examiner — Marianne Pandozzi

(74) *Attorney, Agent, or Firm* — Taylor J. Ross

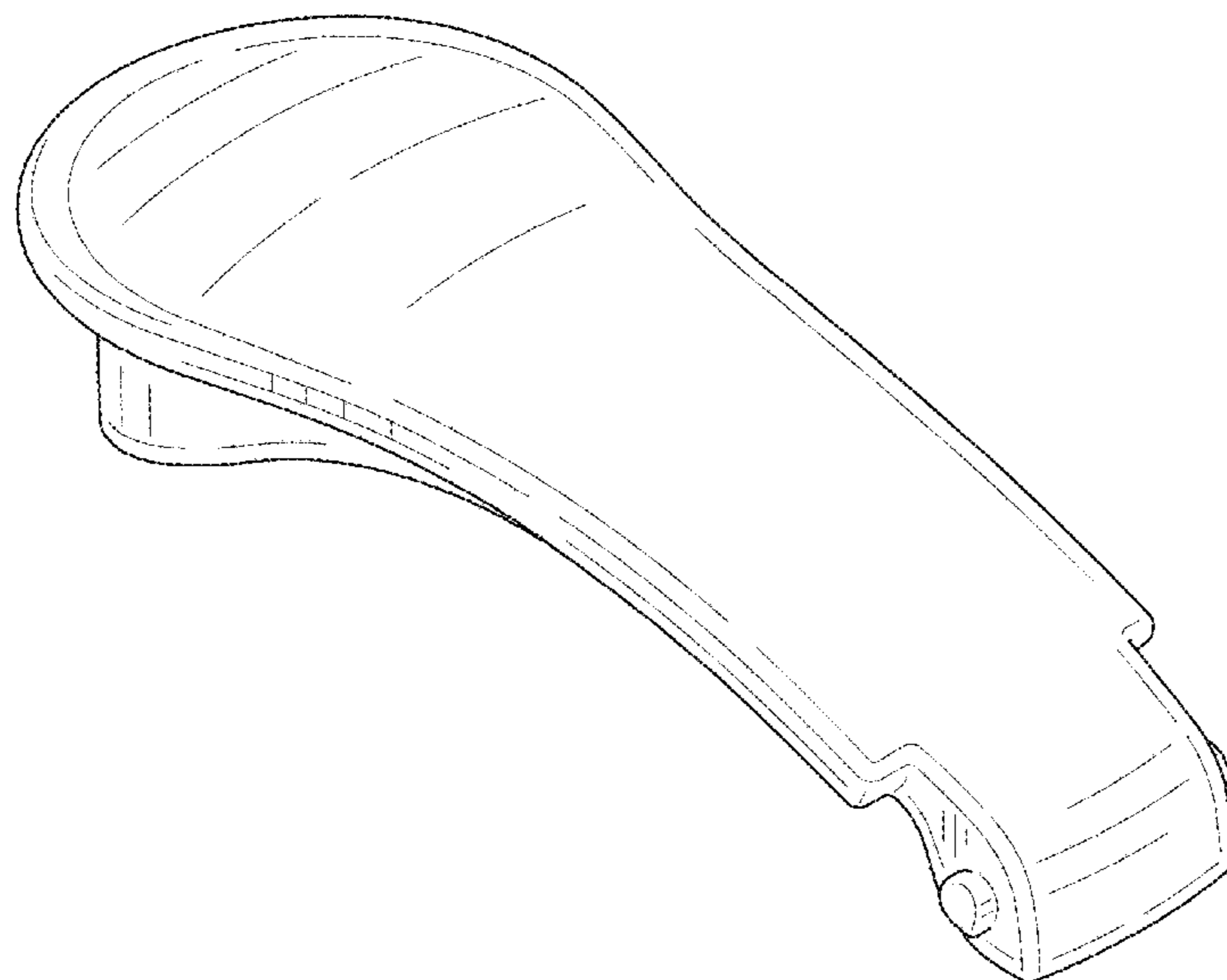
(57) **CLAIM**

The ornamental design for a cap for a food shaker and blender, as shown and described.

DESCRIPTION

FIG. 1 is a top, side and front perspective view of a cap for a food shaker and blender showing my new design;
FIG. 2 is a top plan view thereof;
FIG. 3 is a bottom plan view thereof;
FIG. 4 is a left side elevation view thereof;
FIG. 5 is a right side elevation view thereof;
FIG. 6 is a front elevation view, the rear elevation being a mirror image thereof; and,
FIG. 7 is a cross-sectional view taken along line 7-7 of FIG. 2.

1 Claim, 3 Drawing Sheets



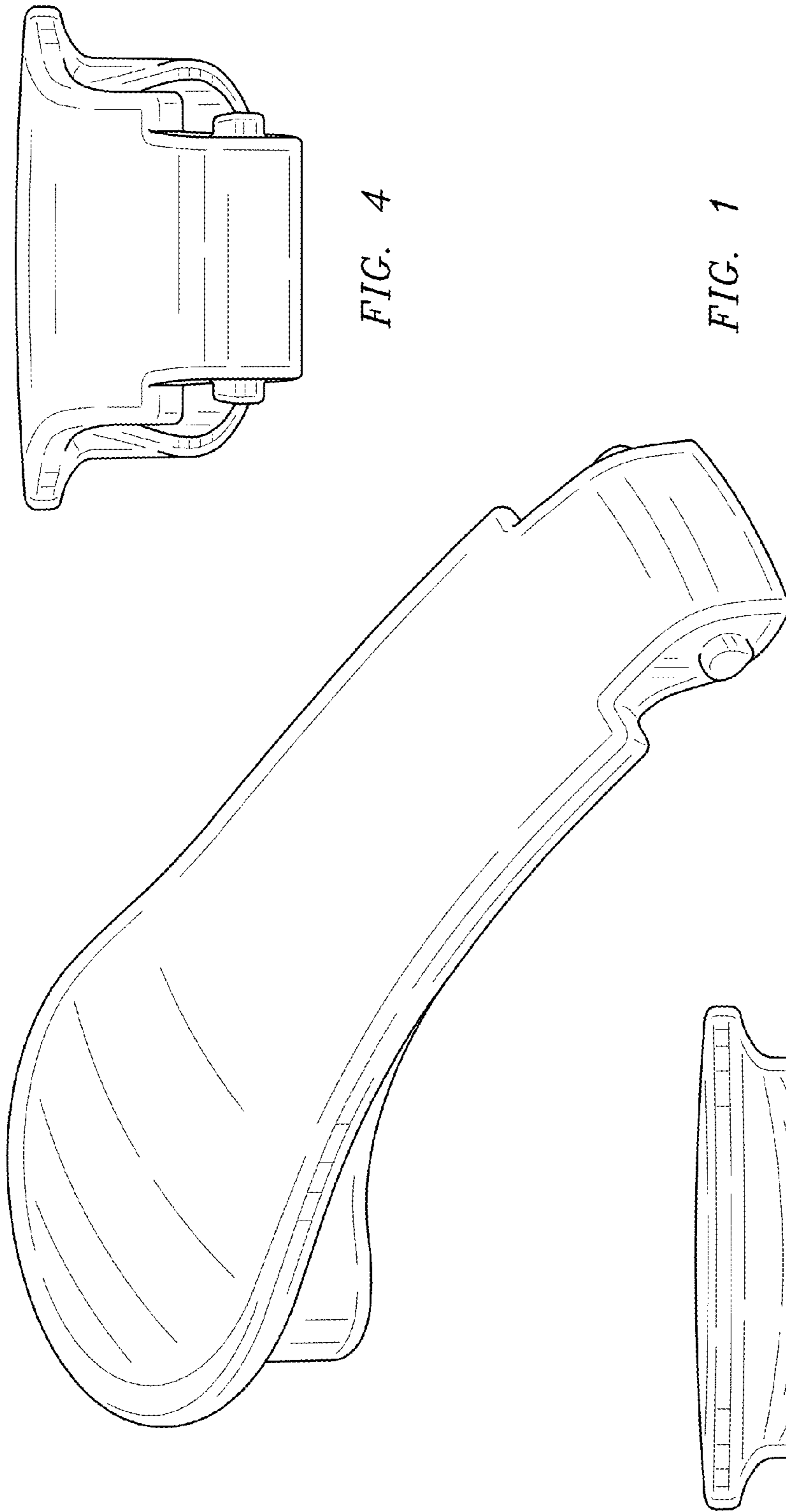


FIG. 1

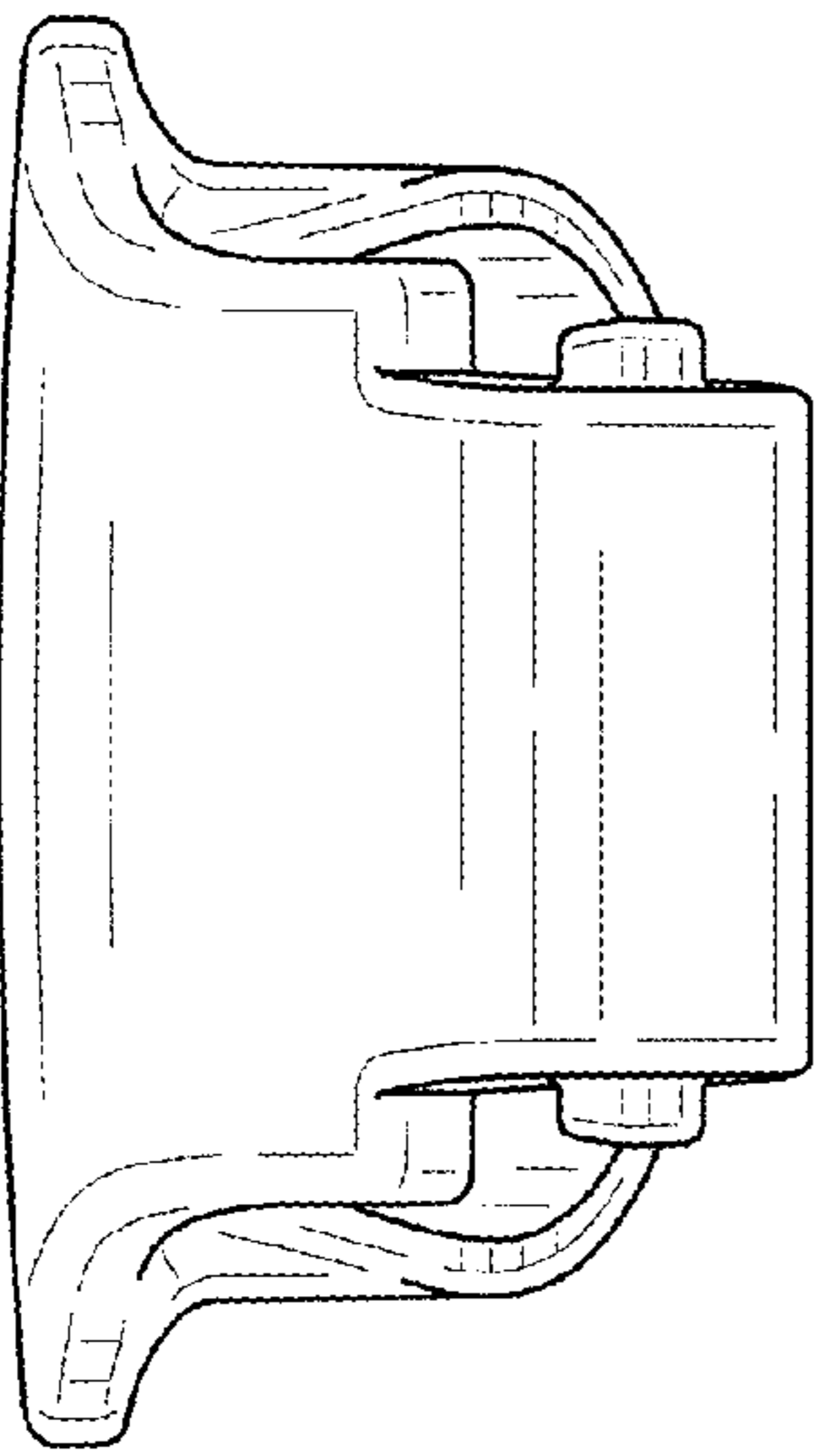


FIG. 4

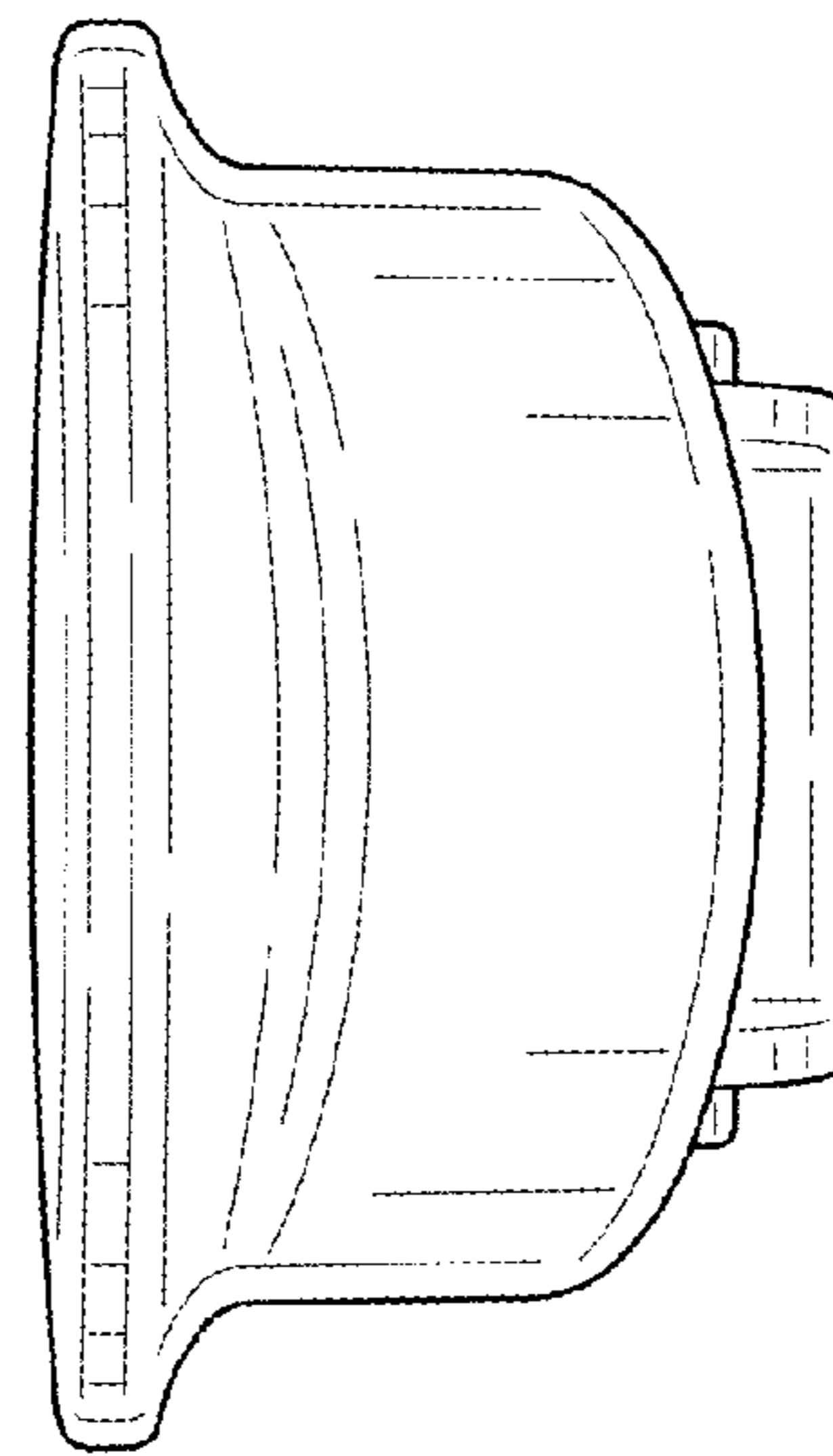
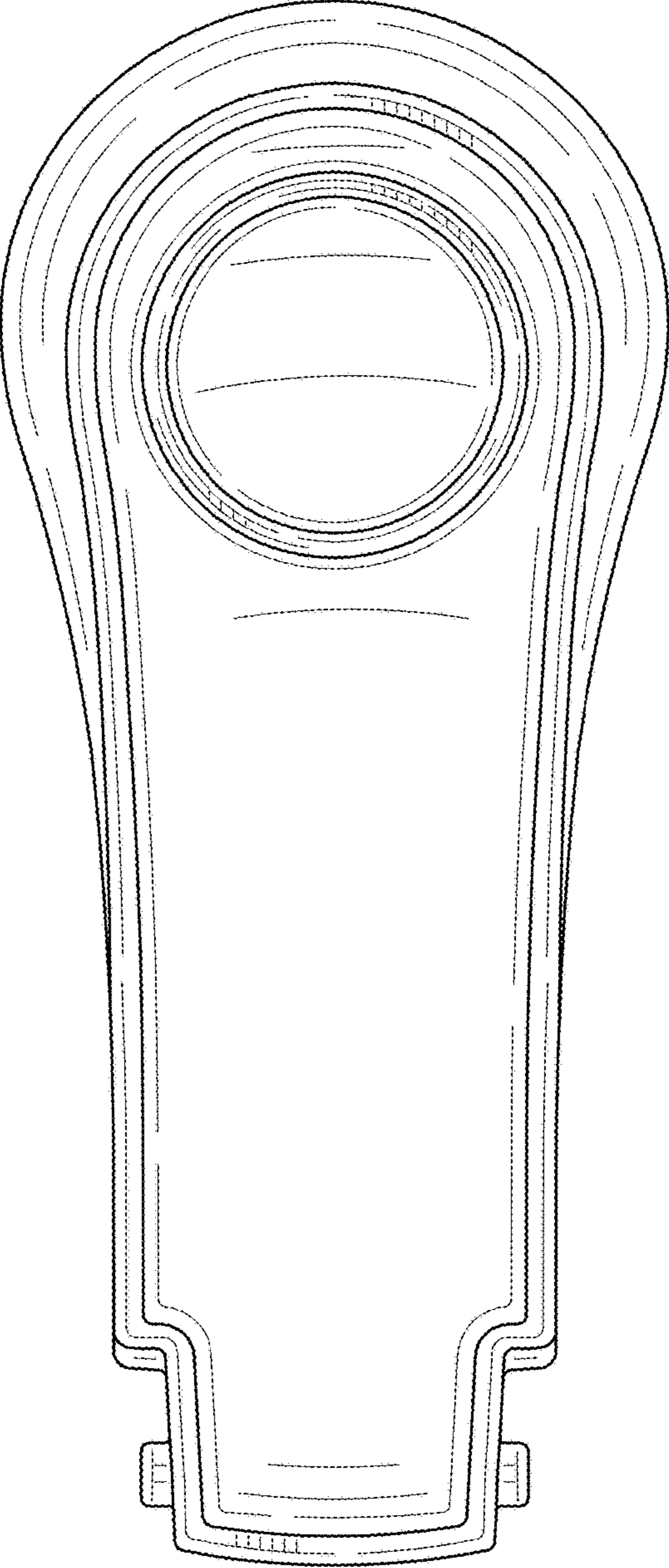
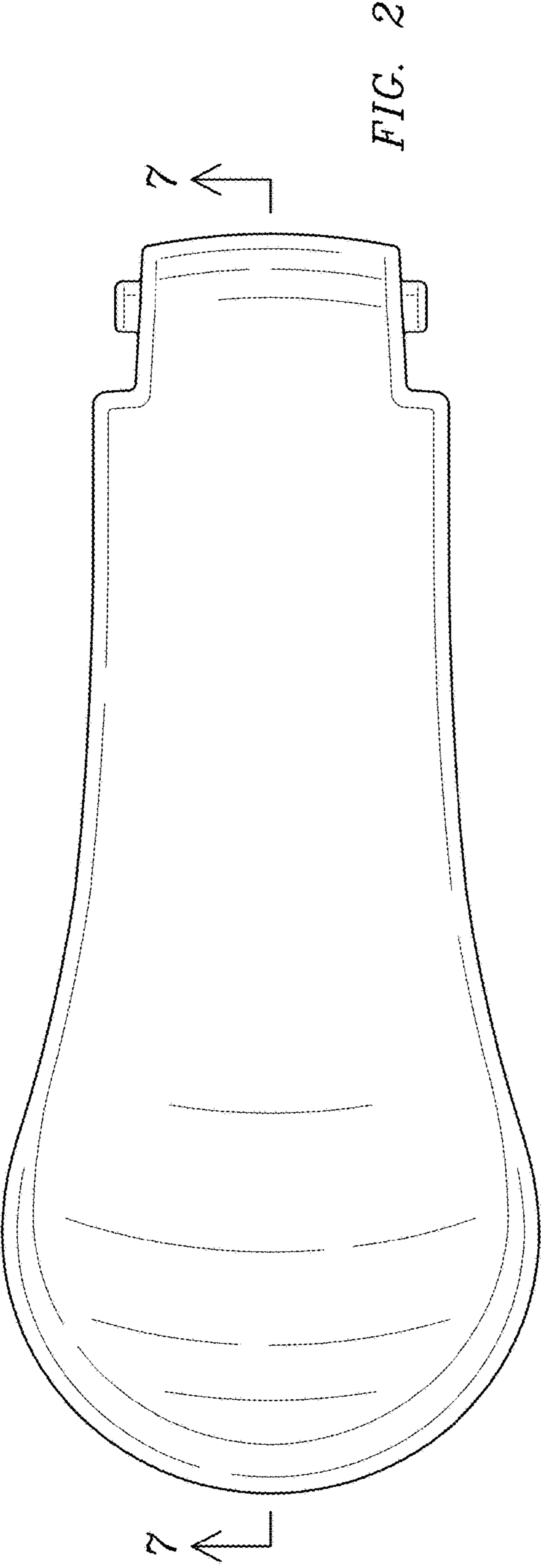


FIG. 5



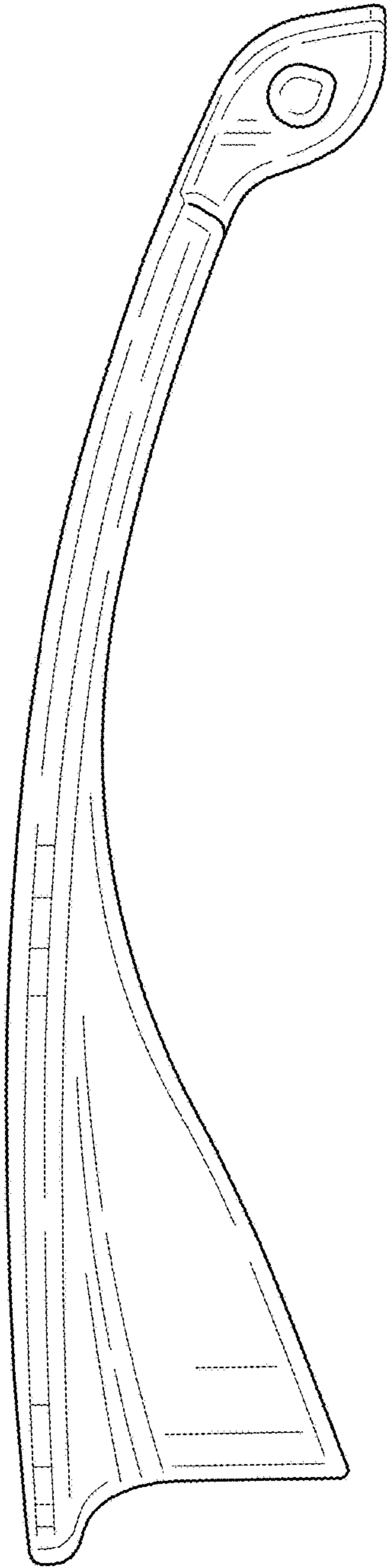


FIG. 6

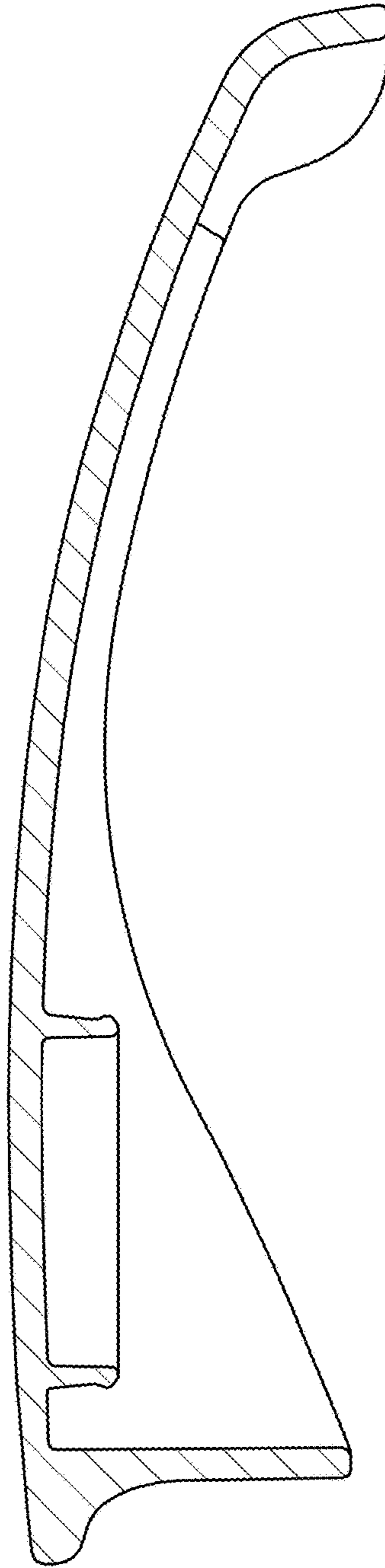


FIG. 7