



US00D778665S

(12) **United States Design Patent** (10) **Patent No.:** **US D778,665 S**
Barquin et al. (45) **Date of Patent:** **** Feb. 14, 2017**

(54) **BLENDER BASE**
(71) Applicant: **Spectrum Brands, Inc.**, Middleton, WI (US)
(72) Inventors: **Francisco Javier Barquin**, Madison, WI (US); **Daniel Davis Anderson**, Eagan, MN (US)
(73) Assignee: **Spectrum Brands, Inc.**, Middleton, WI (US)
(**) Term: **15 Years**
(21) Appl. No.: **29/537,138**

D577,537 S 9/2008 Lee
D597,372 S 8/2009 Nordwall et al.
D605,462 S * 12/2009 Picozza D7/378
D611,760 S * 3/2010 Ball D7/378
D617,136 S * 6/2010 Bock D7/378
D625,141 S 10/2010 Moore
D625,144 S * 10/2010 Moore D7/376
D645,301 S 9/2011 Tse
D647,357 S * 10/2011 Audette D7/376
D677,976 S * 3/2013 Palermo D7/376
D694,582 S 12/2013 Norland
D694,583 S 12/2013 Norland
D704,502 S * 5/2014 Coakley D7/376
D716,602 S * 11/2014 Thai D7/376
D730,682 S * 6/2015 Tu D7/376
D733,488 S * 7/2015 Tu D7/376

(Continued)

(22) Filed: **Aug. 21, 2015**
(51) **LOC (10) Cl.** **31-00**
(52) **U.S. Cl.**
USPC **D7/386; D7/376; D7/378; D7/412; D7/413**

FOREIGN PATENT DOCUMENTS

CA 128072 S 5/2009
CA 128074 S 5/2009

Primary Examiner — Ricky Pham

(74) *Attorney, Agent, or Firm* — Banner & Witcoff, Ltd.

(58) **Field of Classification Search**
USPC D7/372, 376–386, 412–413, 602, 629, D7/665–666, 669, 679, 693–694
CPC A21C 1/02; A21C 1/04; A23N 1/00; A23N 1/02; A47J 43/04; A47J 43/25; A47J 43/27; A47J 43/042; A47J 43/044; A47J 43/046; A47J 43/075; A47J 43/0722; A47J 43/0727; B01F 3/00; B01F 3/0807; B01F 3/0853; B01F 13/0059; B01F 13/0064; B02C 1/08; B02C 2/04; B02C 4/42; B02C 4/142; B02C 4/143; B02C 4/423; B02C 13/1835; B28C 5/10; B28C 5/12; B28C 5/14; B28C 5/16
See application file for complete search history.

(57) **CLAIM**

The ornamental design for a blender base, as shown and described.

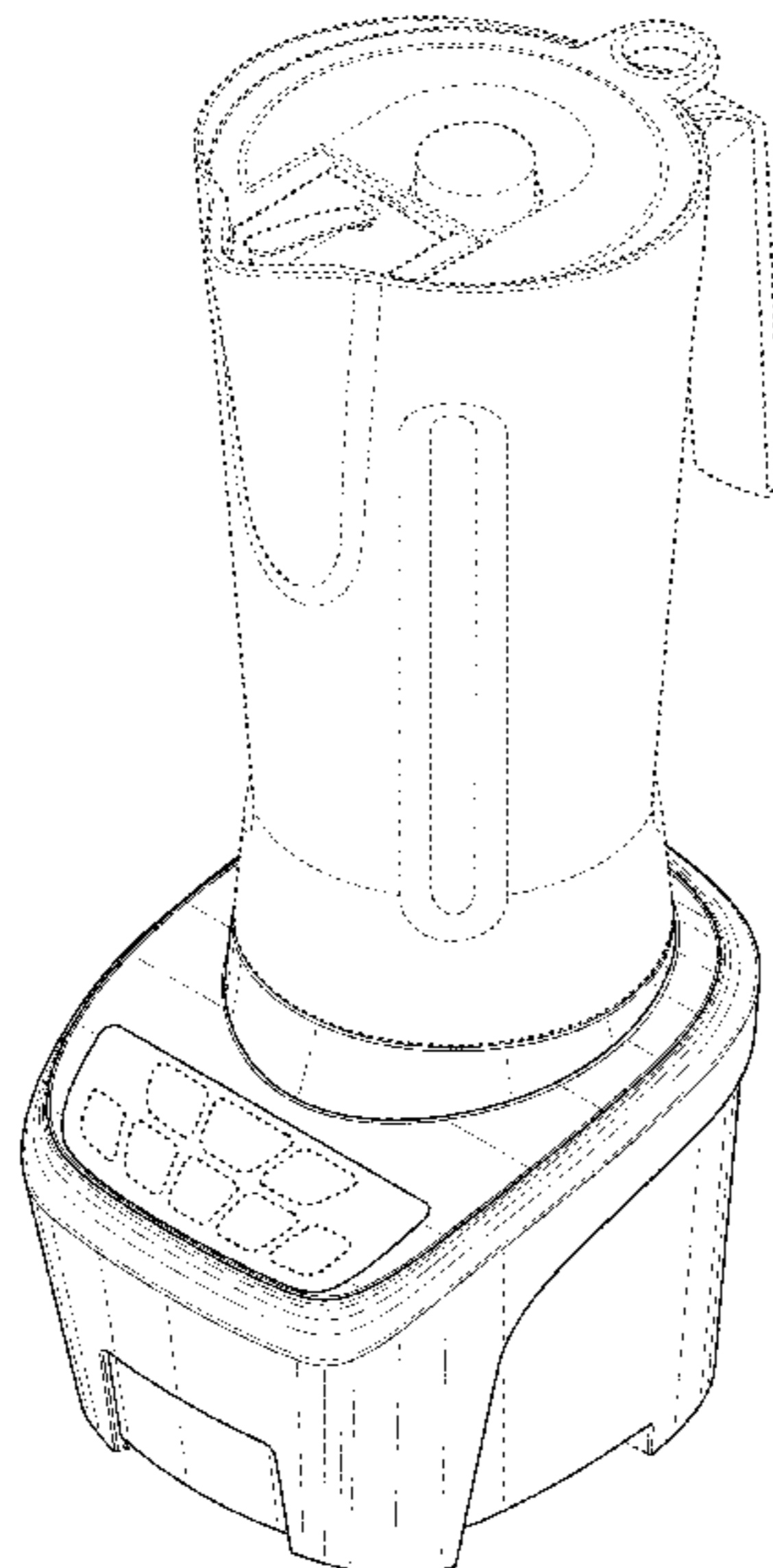
DESCRIPTION

FIG. 1 is a front perspective view of a blender base showing our new design;
FIG. 2 is a front view thereof;
FIG. 3 is a rear view thereof;
FIG. 4 is a top view thereof;
FIG. 5 is a right side view thereof; and,
FIG. 6 is a left side view thereof.
The broken line showing of various elements of the blender base and the entire blender jar is for environmental purposes only and forms no part of the claimed design.

(56) **References Cited**
U.S. PATENT DOCUMENTS

D451,756 S * 12/2001 Deros D7/378
D502,047 S * 2/2005 Ledingham D7/384

1 Claim, 6 Drawing Sheets



(56)

References Cited

U.S. PATENT DOCUMENTS

D755,003 S * 5/2016 Palermo D7/376

* cited by examiner

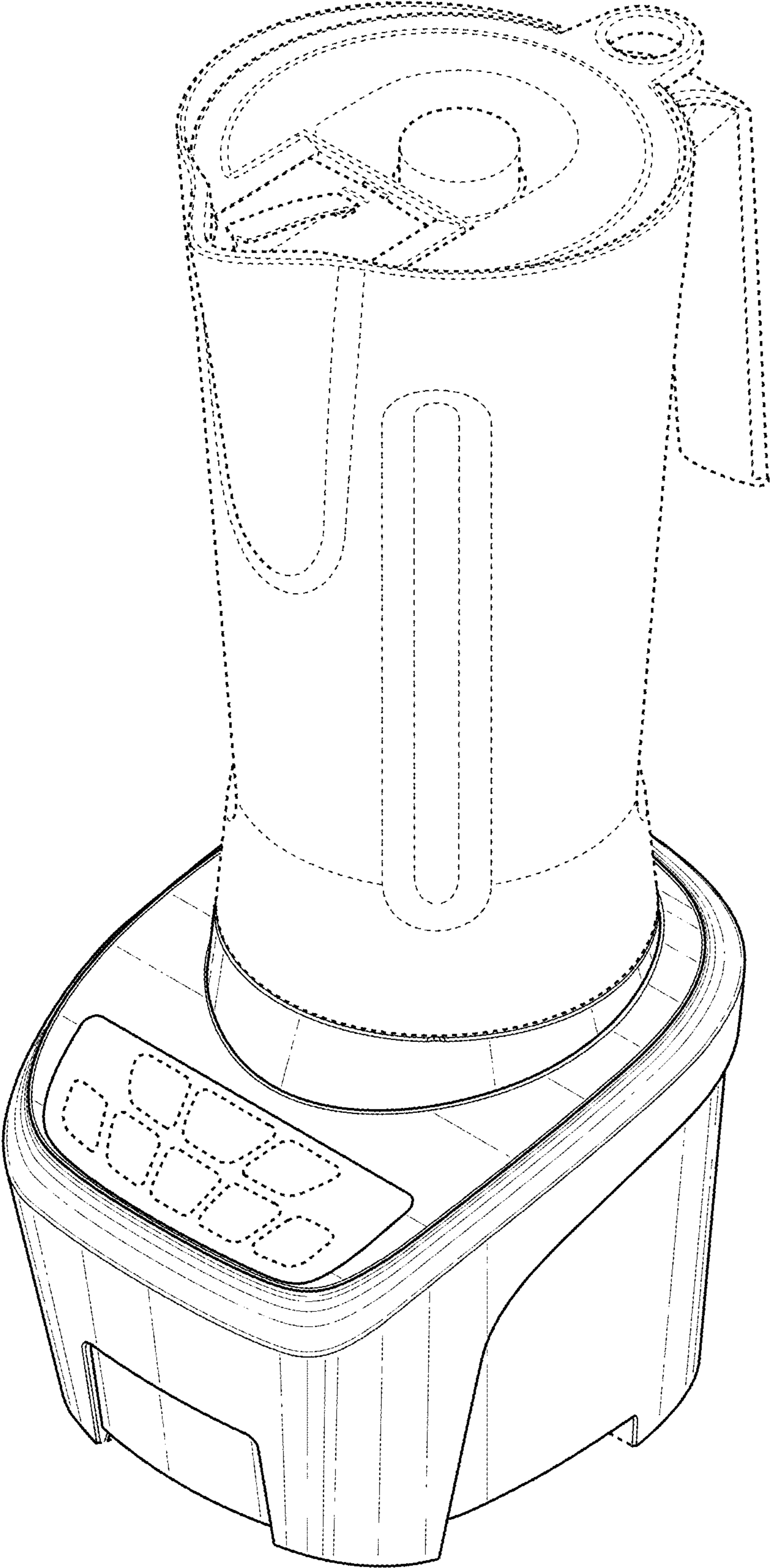


FIG. 1

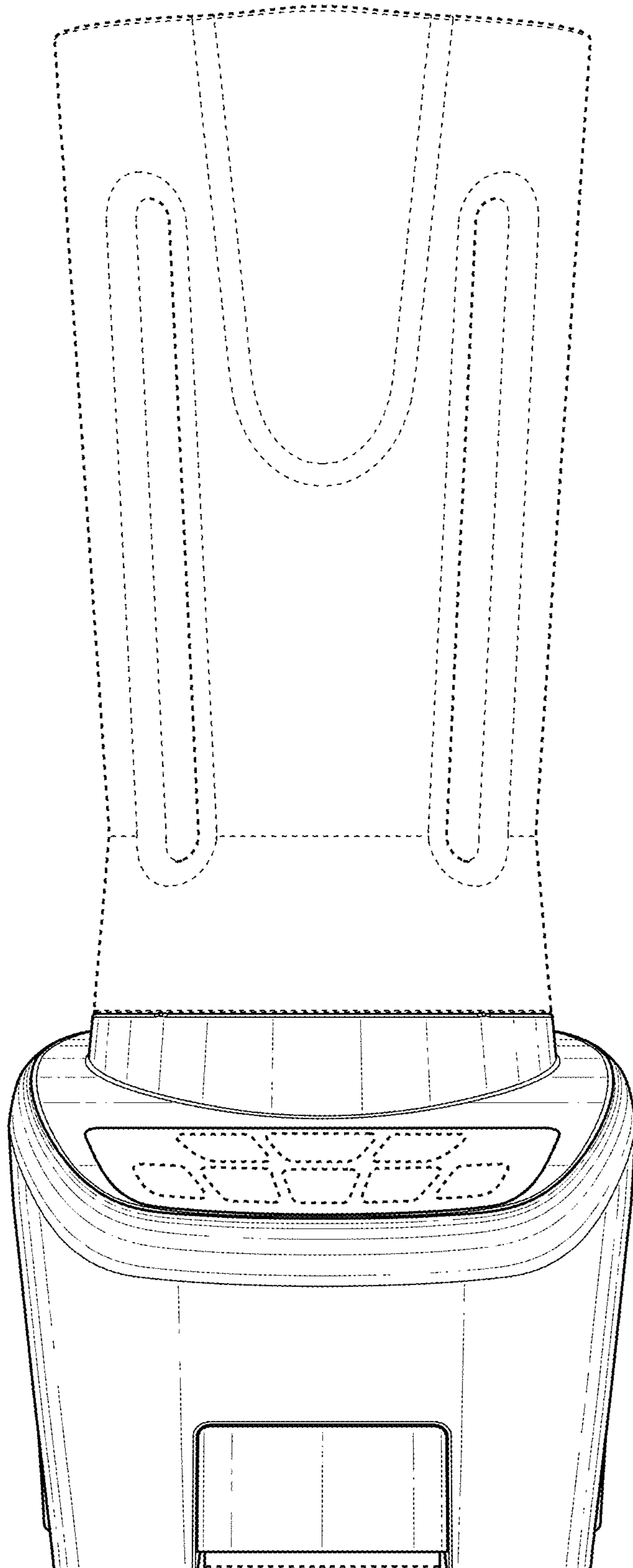


FIG. 2

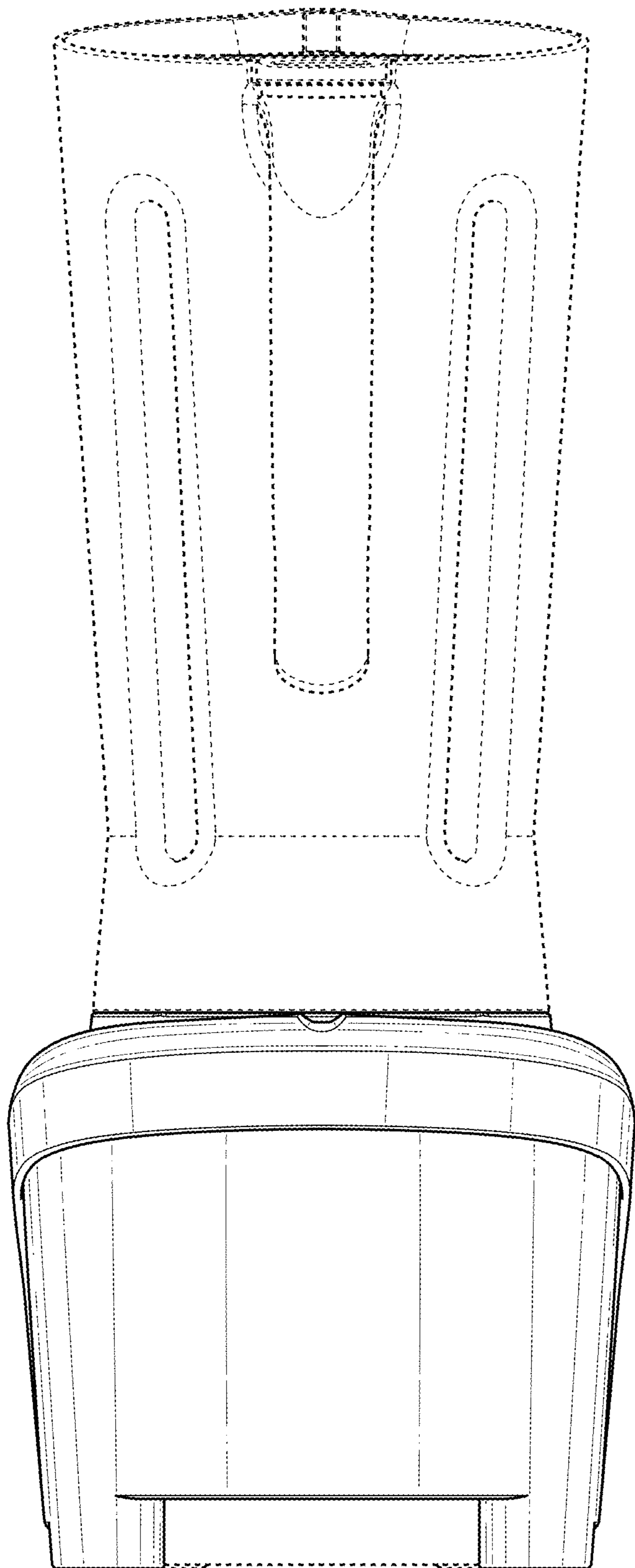


FIG. 3

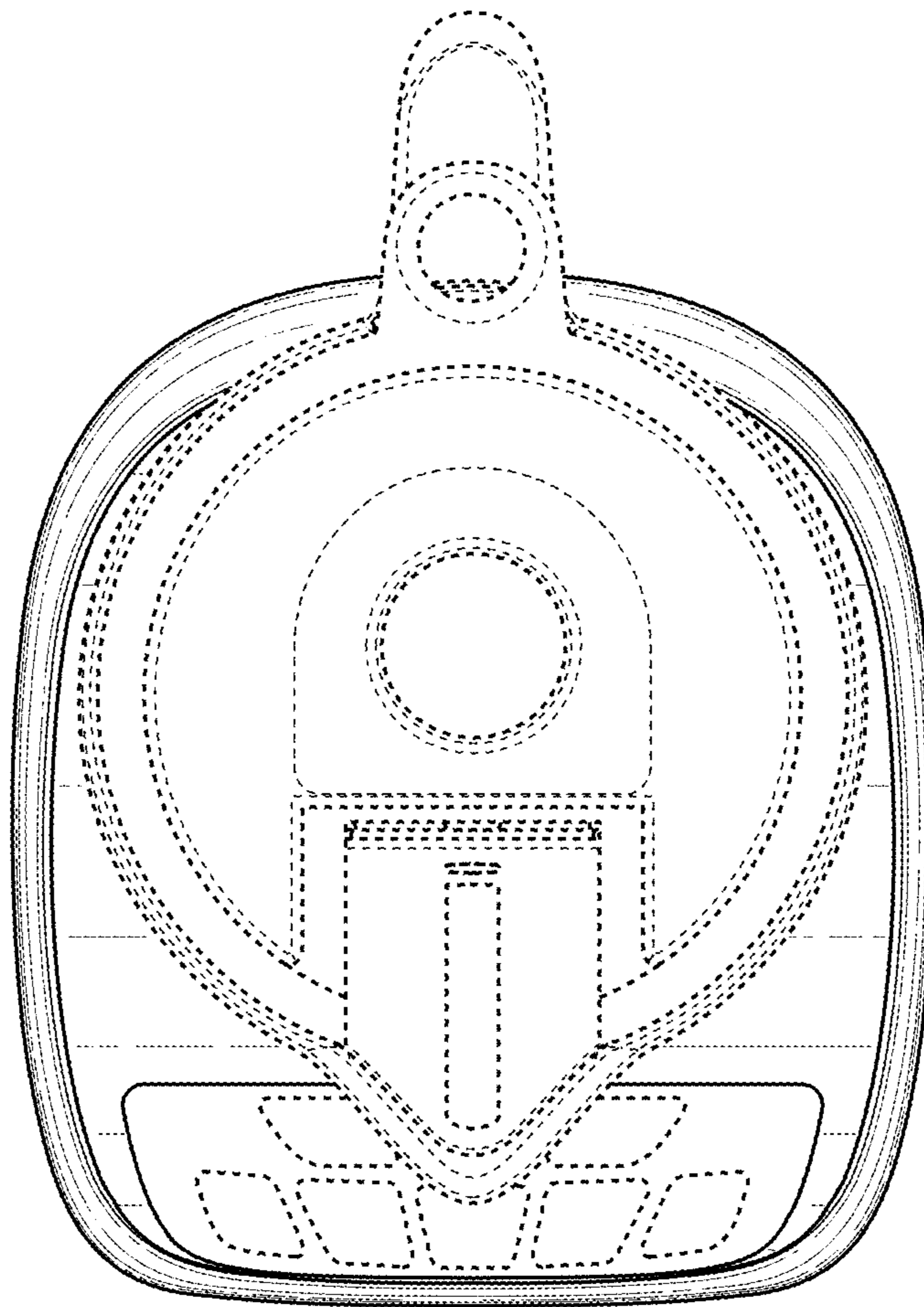


FIG. 4

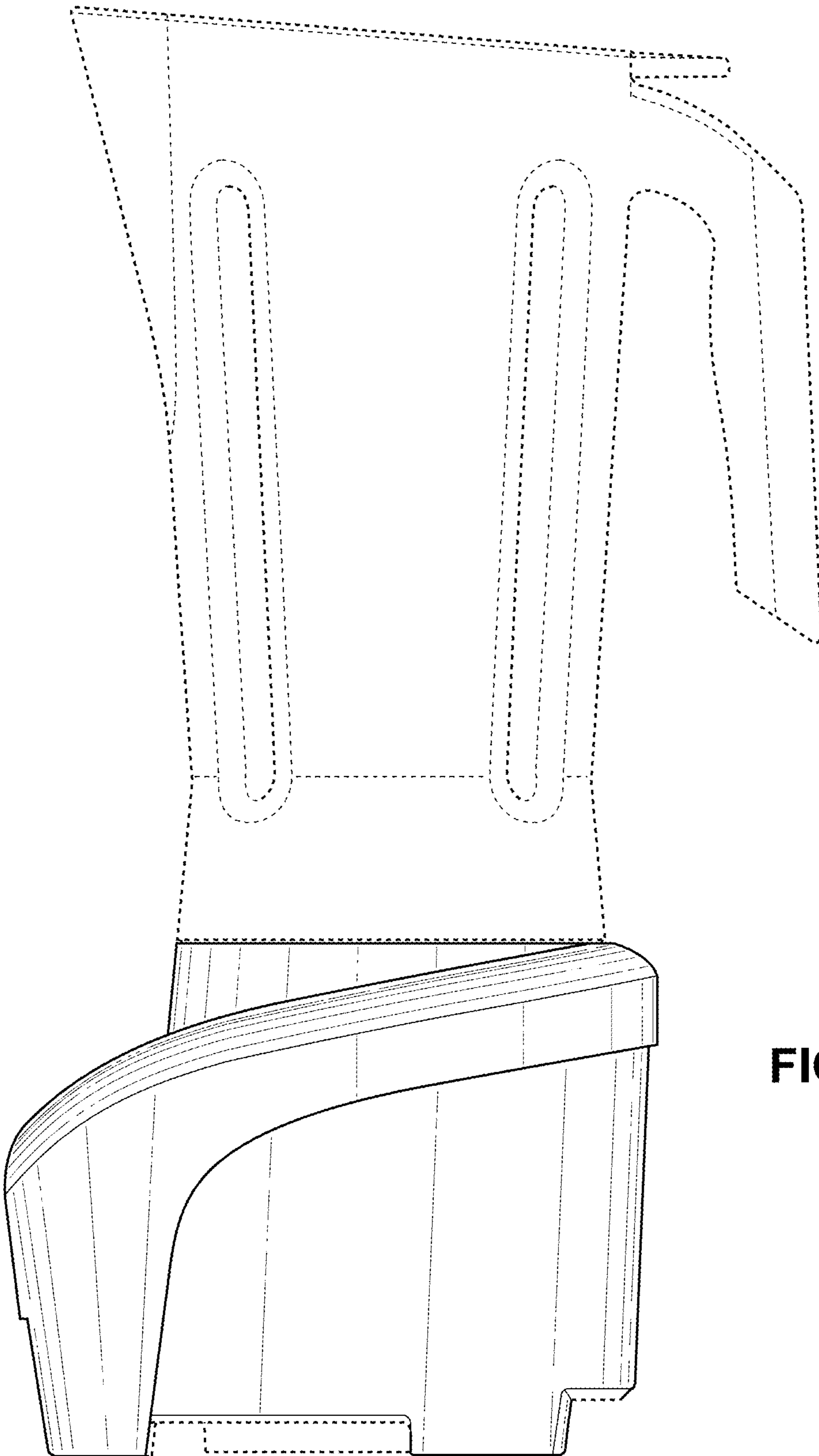


FIG. 5

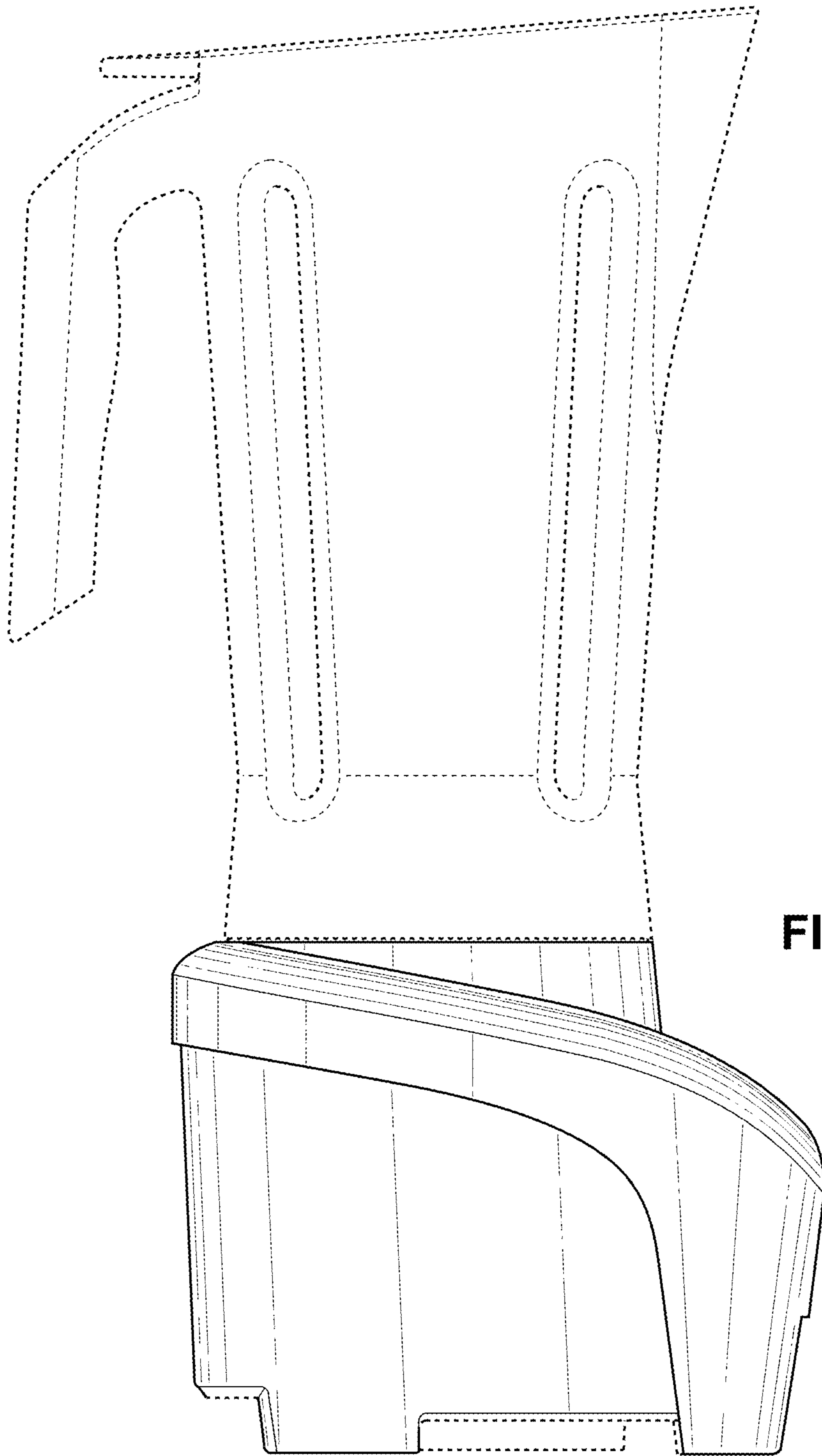


FIG. 6