



US00D778663S

(12) **United States Design Patent** (10) **Patent No.:** **US D778,663 S**  
**Suh et al.** (45) **Date of Patent:** **\*\* Feb. 14, 2017**

(54) **MICROWAVE OVEN**  
(71) Applicant: **Samsung Electronics Co., Ltd.**,  
Suwon-si (KR)  
(72) Inventors: **Seungwook Suh**, Goyang-si (KR);  
**Jae-moon Lee**, Seoul (KR)  
(73) Assignee: **SAMSUNG ELECTRONICS CO.,**  
**LTD.**, Suwon-si (KR)  
(\*\*) Term: **15 Years**  
(21) Appl. No.: **29/547,244**  
(22) Filed: **Dec. 2, 2015**

D675,475 S \* 2/2013 Yoon ..... D7/351  
D700,470 S \* 3/2014 Kim ..... D7/351  
D704,498 S \* 5/2014 Kim ..... D7/351  
D704,983 S \* 5/2014 Yoon ..... D7/351  
D705,591 S \* 5/2014 Lee ..... D7/351  
D707,074 S \* 6/2014 Shin ..... D7/351  
D708,469 S \* 7/2014 Kim ..... D7/351  
D712,694 S \* 9/2014 Kim ..... D7/351  
D733,486 S \* 7/2015 Lee ..... D7/351  
D734,973 S \* 7/2015 Leavitt ..... D7/323  
D741,639 S \* 10/2015 Kim ..... D7/351  
D741,649 S \* 10/2015 Kim ..... D7/405  
D750,431 S \* 3/2016 Bergese ..... D7/405  
D761,620 S \* 7/2016 Kim ..... D7/405  
D762,416 S \* 8/2016 Kim ..... D7/405  
D764,228 S \* 8/2016 Kim ..... D7/405  
2016/0033141 A1 \* 2/2016 Rizzuto ..... F24C 7/085  
219/396

(30) **Foreign Application Priority Data**  
Jul. 9, 2015 (KR) ..... 30-2015-0034690  
(51) **LOC (10) Cl.** ..... **07-02**  
(52) **U.S. Cl.**  
USPC ..... **D7/351**  
(58) **Field of Classification Search**  
USPC ..... D7/402, 405, 351, 323, 338, 346, 347;  
219/678  
CPC ..... H05B 6/763; H05B 6/6414; H05B 6/6408;  
Y02B 40/14; Y02B 40/143; Y02B 40/146;  
F24C 15/02; F24C 1/00; F24C  
14/00; F24C 3/00; F24C 5/00; F24C 7/00  
See application file for complete search history.

\* cited by examiner

*Primary Examiner* — Robin V Webster  
*Assistant Examiner* — James Thorn, Sr.  
(74) *Attorney, Agent, or Firm* — McAndrews Held &  
Malloy, Ltd.

(56) **References Cited**  
U.S. PATENT DOCUMENTS  
D285,280 S \* 8/1986 Fischer ..... D7/346  
D306,678 S \* 3/1990 You ..... D7/351  
D330,276 S \* 10/1992 Mitchum, Jr. .... D34/27  
D539,073 S \* 3/2007 Kanza ..... D7/351  
D575,573 S \* 8/2008 Kim ..... D7/351  
D655,970 S \* 3/2012 De' Longhi ..... D7/351  
D673,418 S \* 1/2013 Lee ..... D7/351

(57) **CLAIM**

The ornamental design for a microwave oven, as shown and described.

**DESCRIPTION**

FIG. 1 is a front perspective view of a microwave oven showing our new design;  
FIG. 2 is a front elevation view thereof;  
FIG. 3 is a rear elevation view thereof;  
FIG. 4 is a left-side elevation view thereof;  
FIG. 5 is a right-side elevation view thereof;  
FIG. 6 is a top plan view thereof; and,  
FIG. 7 is a bottom plan view thereof.  
The broken lines depict portions of the microwave oven that form no part of the claimed design.

**1 Claim, 7 Drawing Sheets**

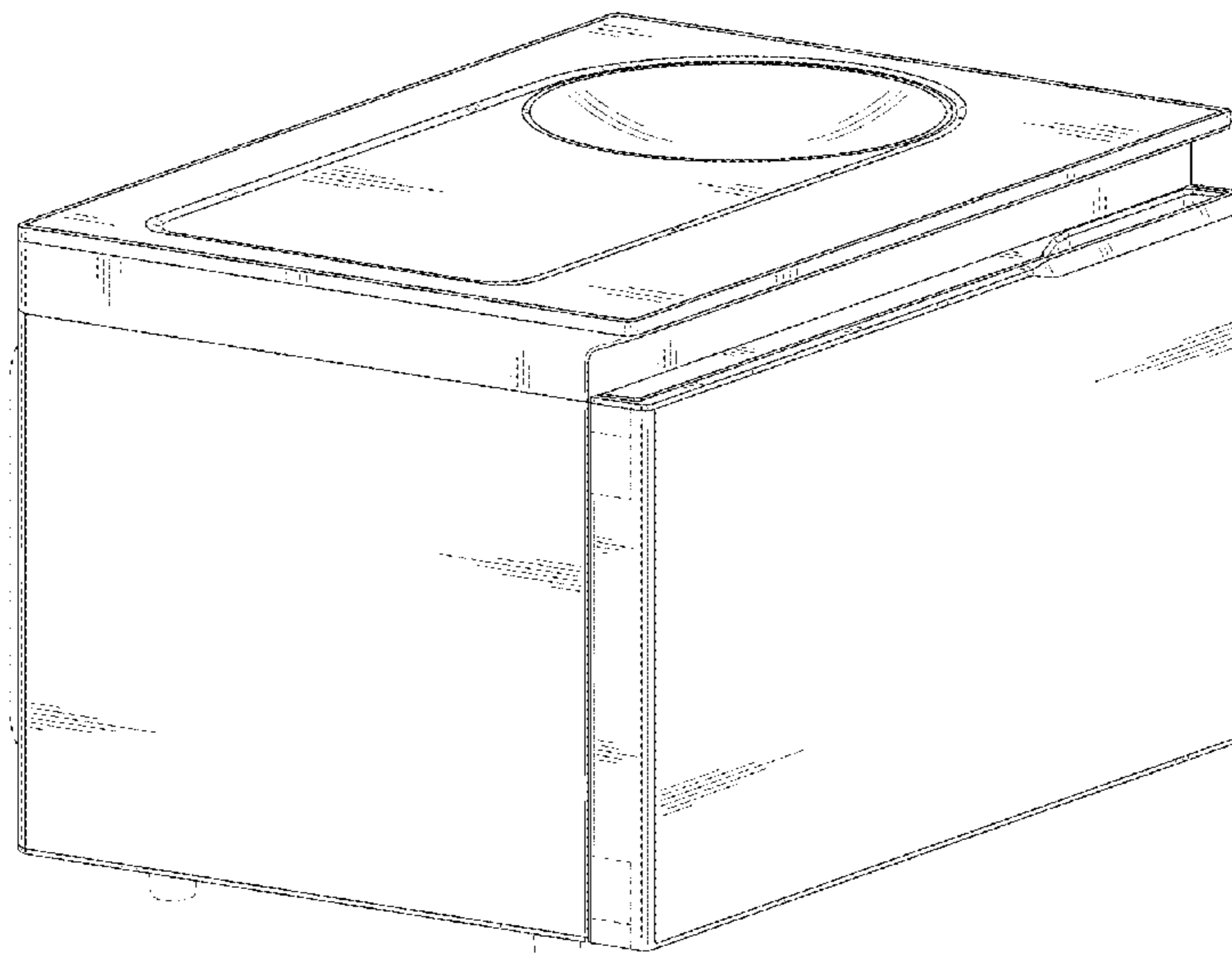


FIG. 1

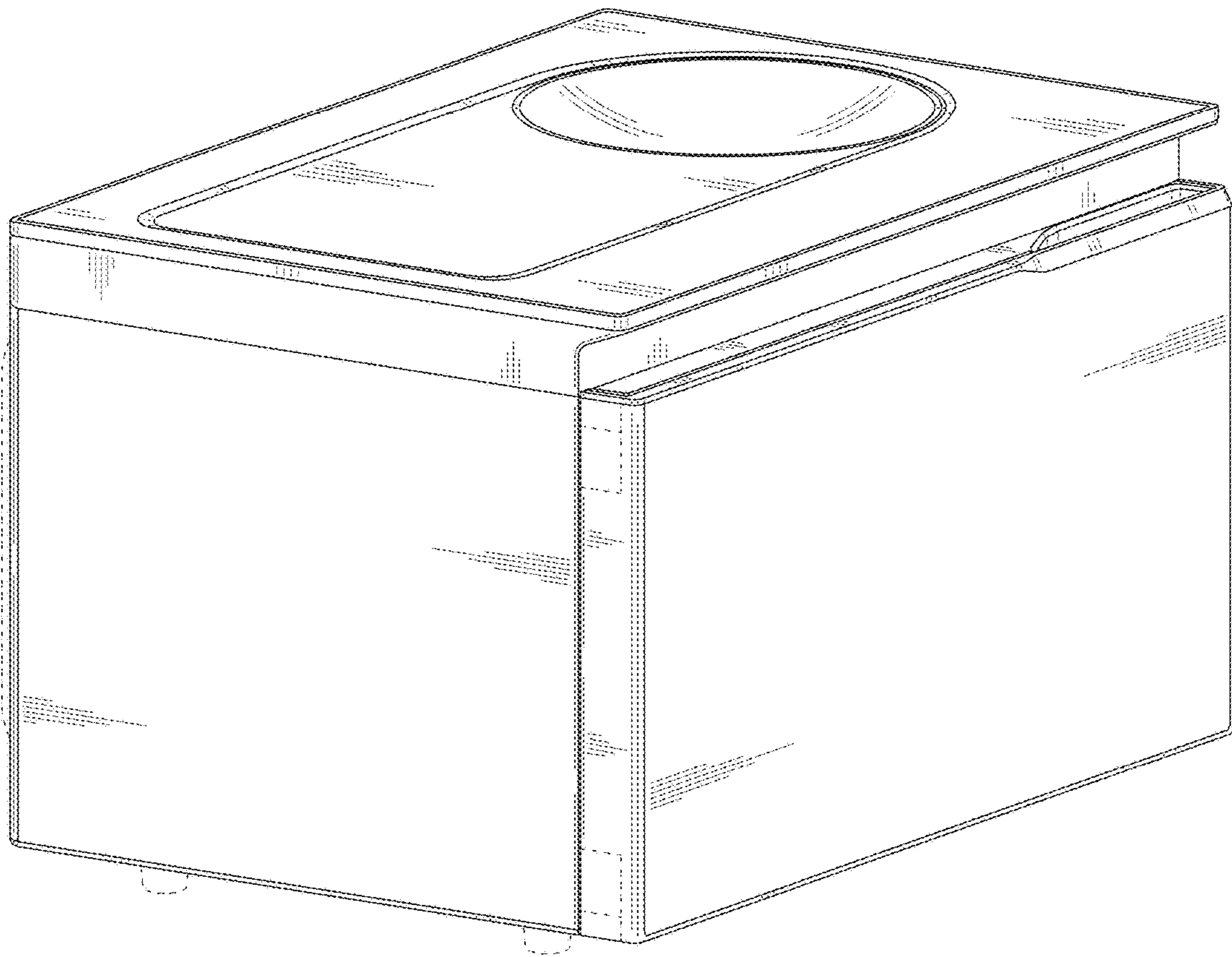


FIG. 2

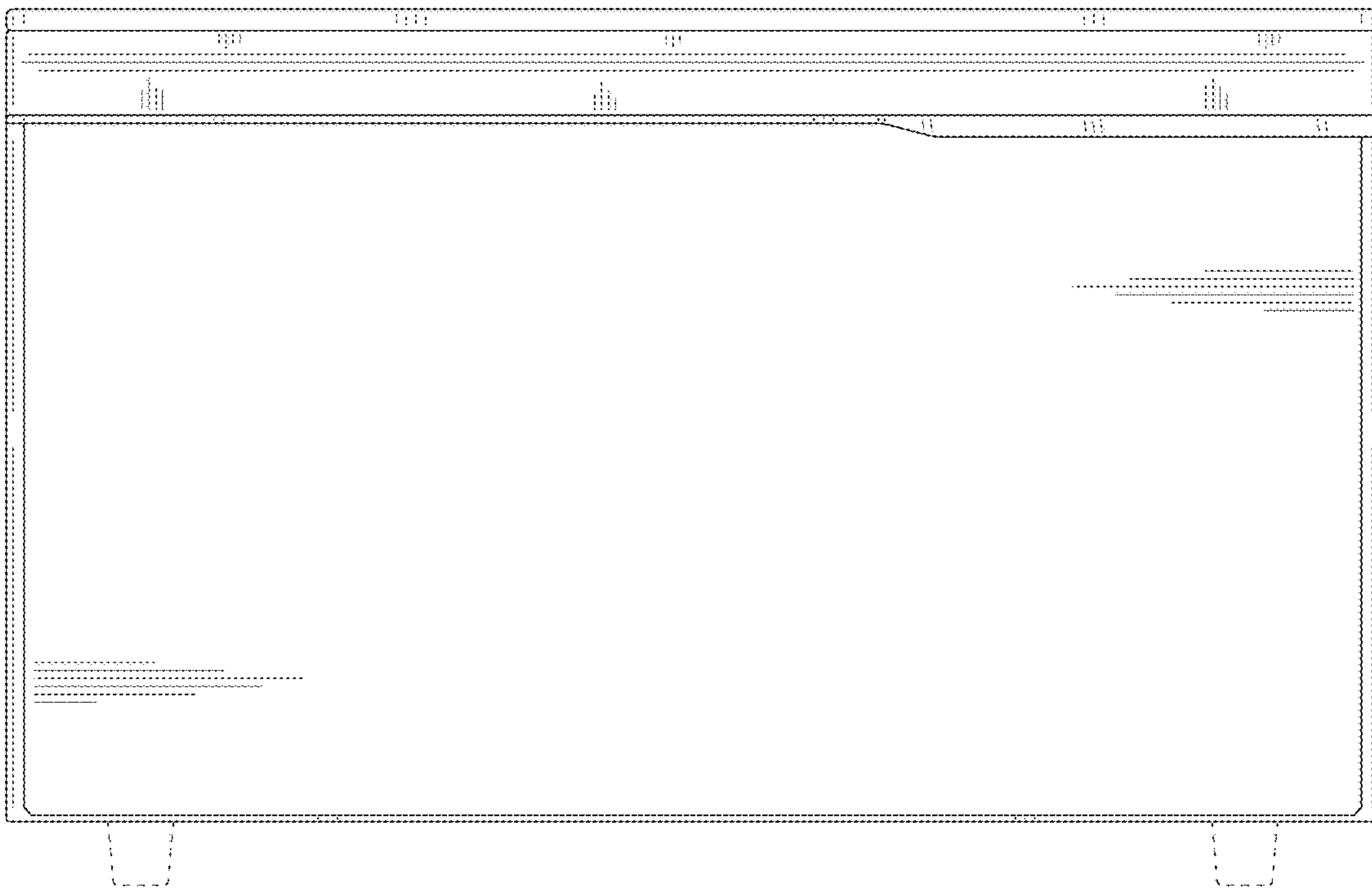


FIG. 3

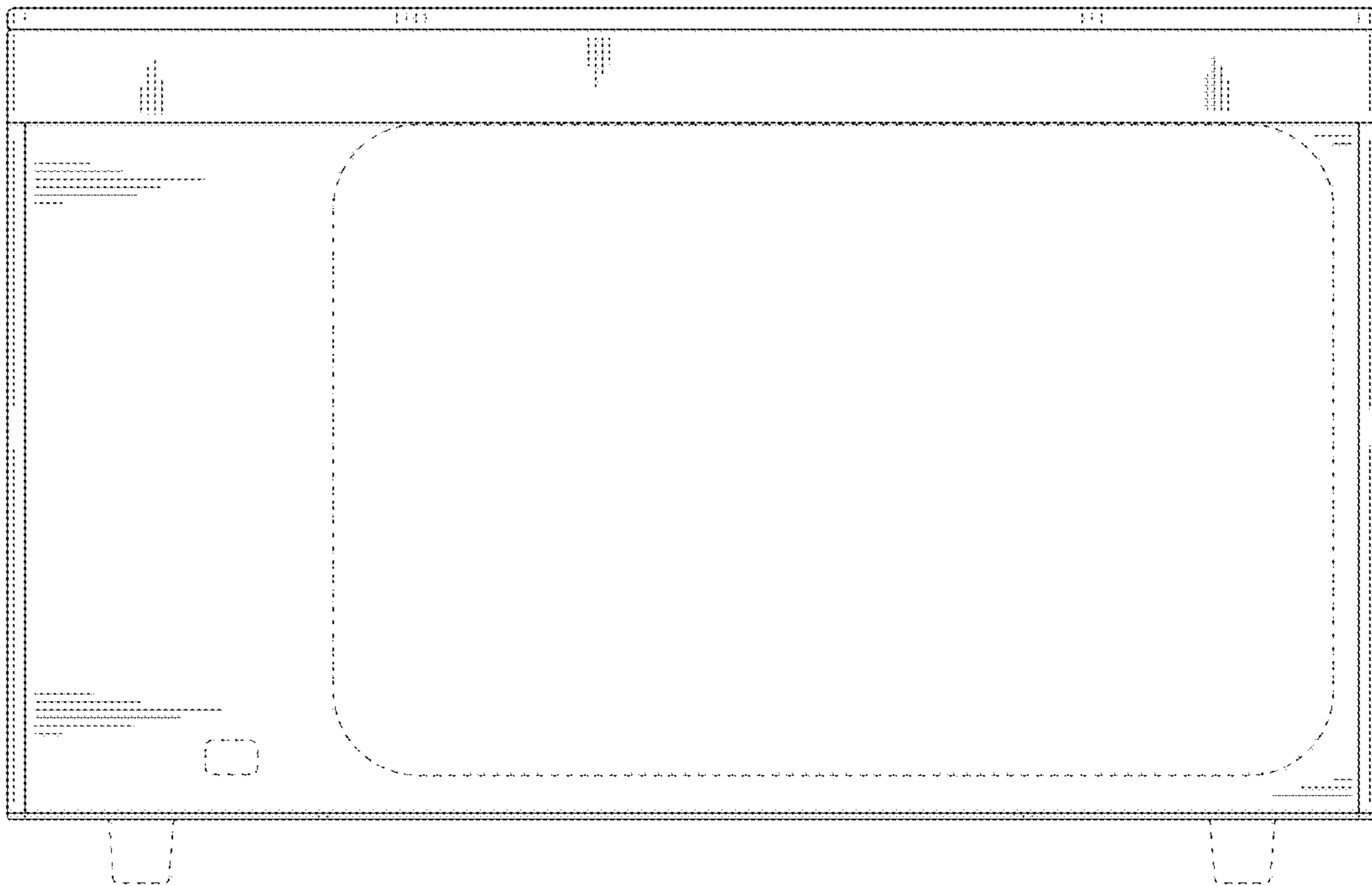


FIG. 4

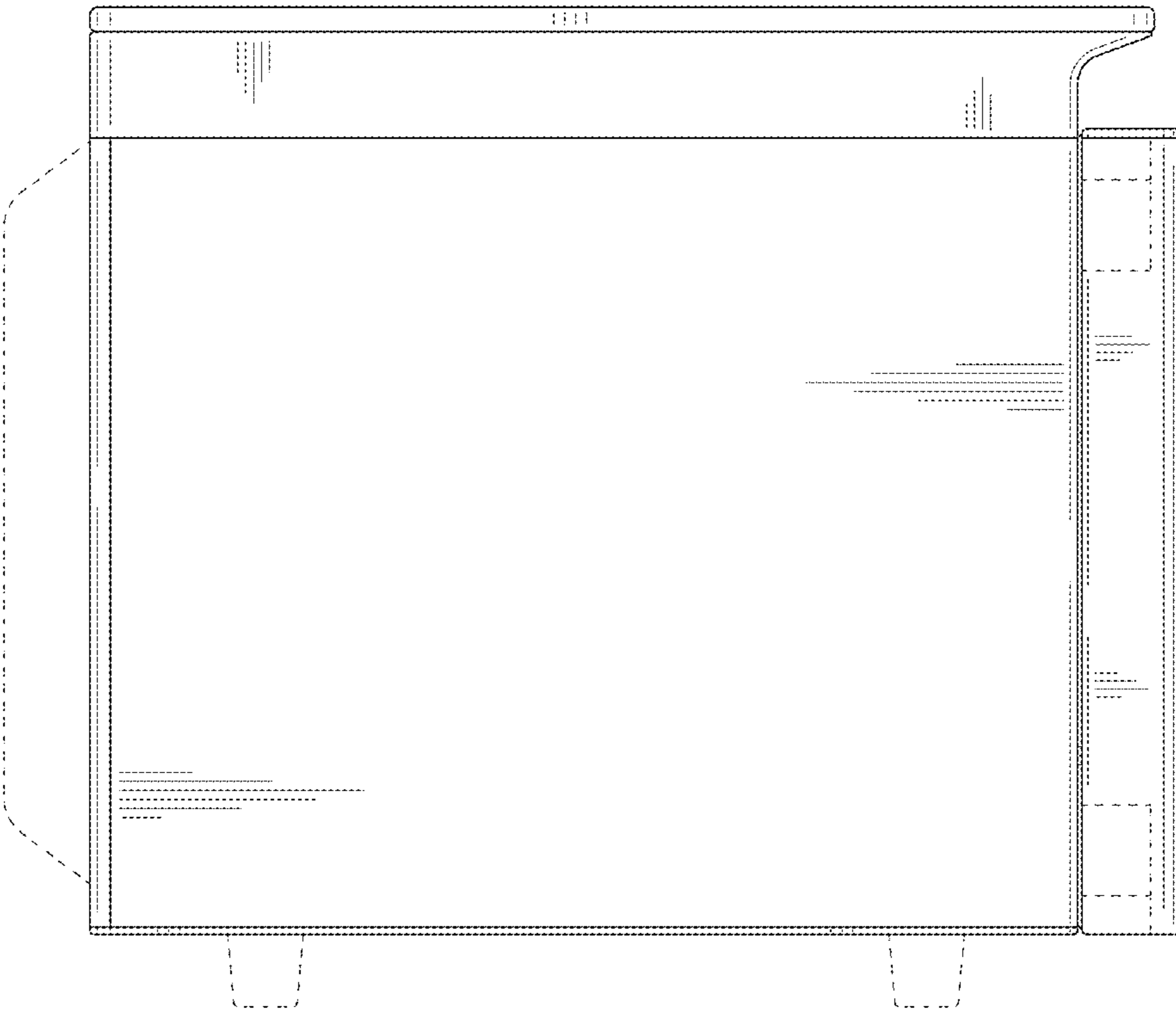


FIG. 5

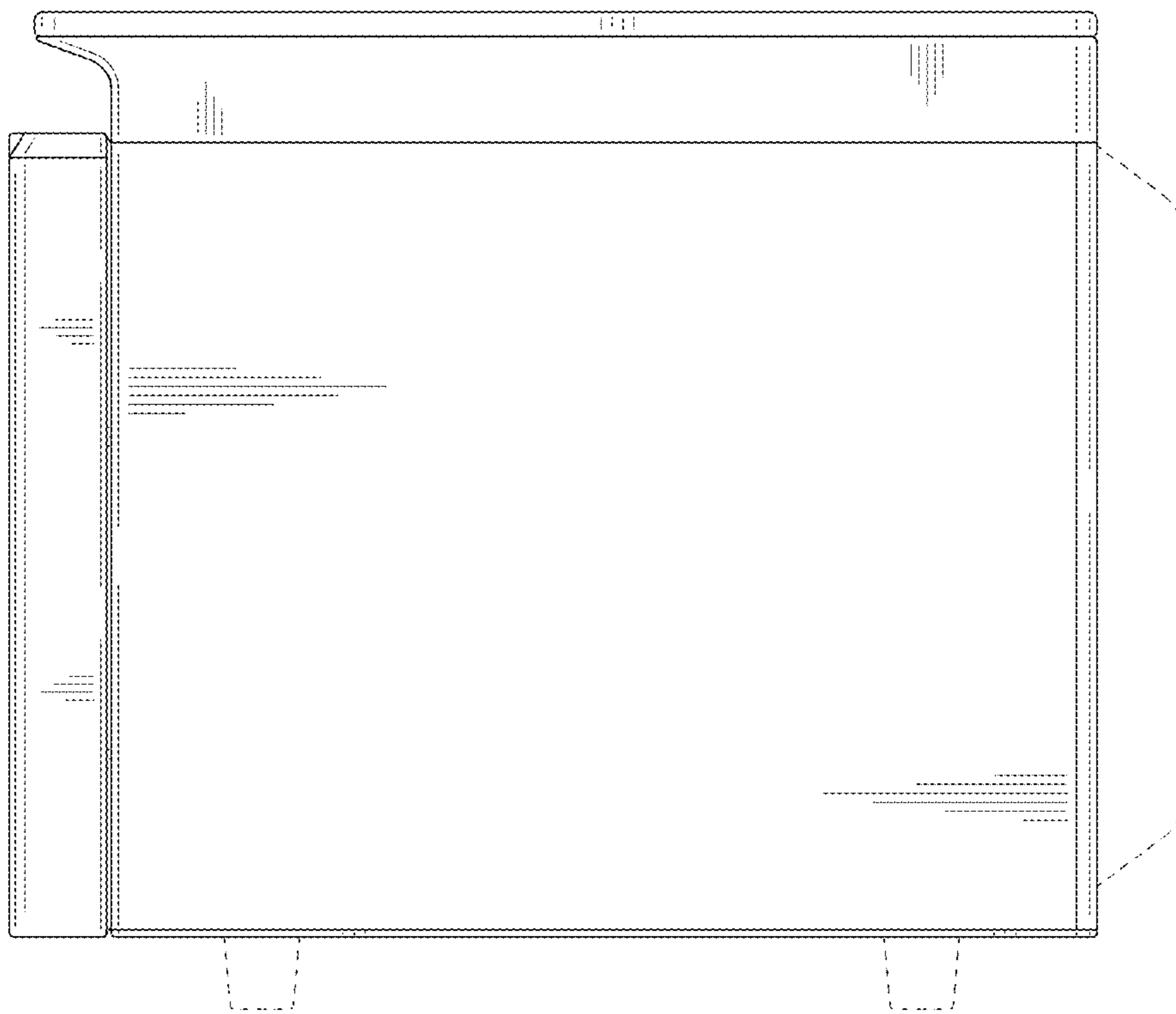


FIG. 6

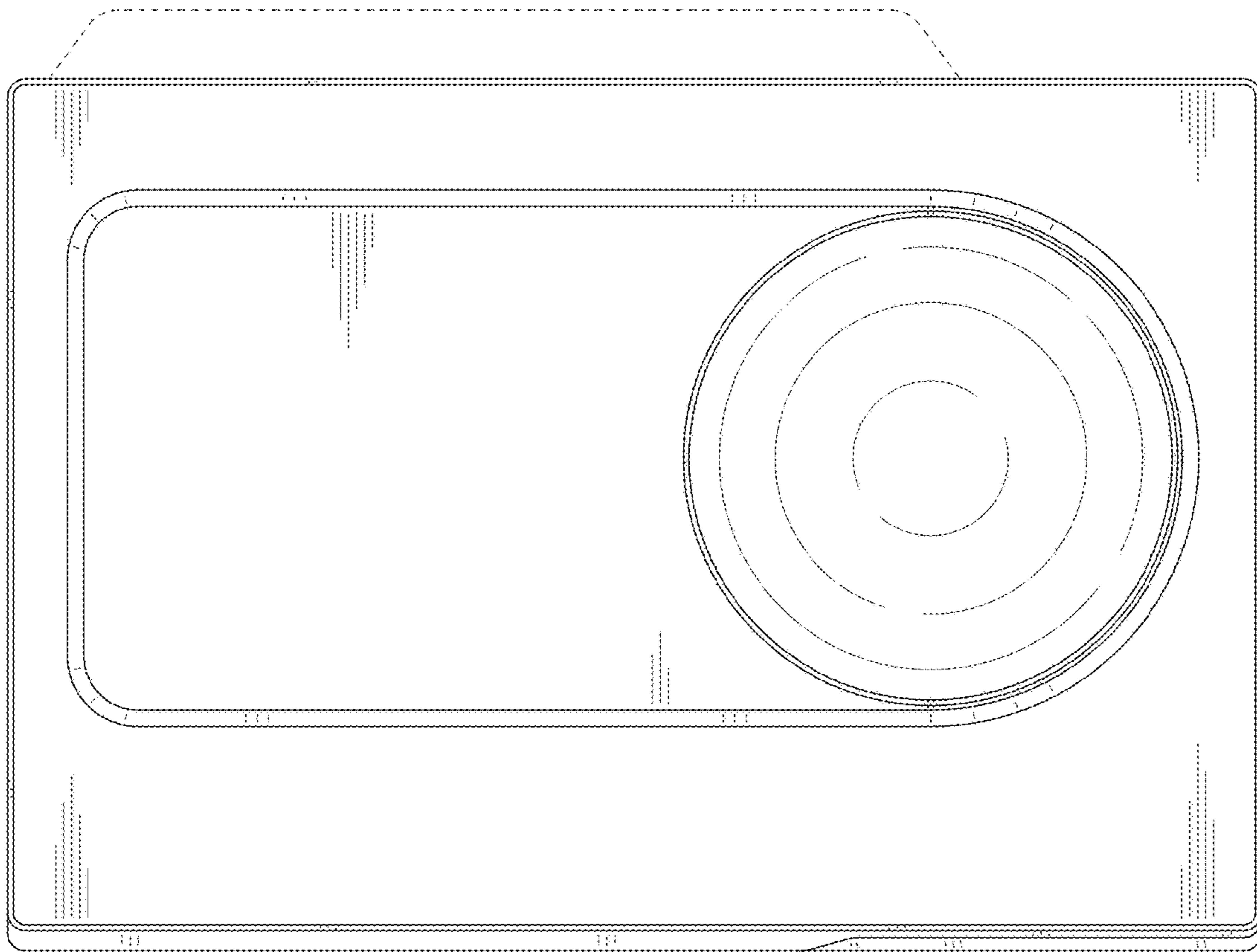


FIG. 7

