



US00D778662S

(12) **United States Design Patent**
Gannon

(10) **Patent No.:** **US D778,662 S**
(45) **Date of Patent:** **** Feb. 14, 2017**

(54) **BEER COOLER**

DESCRIPTION

- (71) Applicant: **Mark Kevin Gannon**, Fort Worth, TX (US)
- (72) Inventor: **Mark Kevin Gannon**, Fort Worth, TX (US)
- (**) Term: **15 Years**
- (21) Appl. No.: **29/526,950**
- (22) Filed: **May 14, 2015**
- (51) **LOC (10) Cl.** **07-99**
- (52) **U.S. Cl.**
USPC **D7/306**; D7/313; D7/605; D34/14
- (58) **Field of Classification Search**
USPC D7/300, 309-311, 306-308, 305, 397, D7/313, 605, 355, 362, 365, 367; 222/146.6, 185.1, 135, 129.3, 129.1, 1; 99/295, 273, 304, 288, 279, 307, 283, 99/318, 300; D21/371, 370; D15/79; D34/14
CPC A47J 31/46; A47J 31/407; A47J 31/50; A47J 31/18; A47J 31/00; A47J 27/04; A47J 31/0573; A47J 31/52; B67D 1/0085; B67D 2001/0089; G07F 13/065
See application file for complete search history.

FIG. 1 is a top rear perspective view of a beer cooler showing my new design;
 FIG. 2 is a top front perspective view of the beer cooler embodiment shown in FIG. 1;
 FIG. 3 is a bottom plan view of the beer cooler embodiment shown in FIG. 1;
 FIG. 4 is a top plan view of the beer cooler embodiment shown in FIG. 1;
 FIG. 5 is a rear elevational view of the beer cooler embodiment shown in FIG. 1;
 FIG. 6 is a front elevational view of the beer cooler embodiment shown in FIG. 1;
 FIG. 7 is a left side elevational view of the beer cooler embodiment shown in FIG. 1;
 FIG. 8 is a right side elevational view of the beer cooler embodiment shown in FIG. 1; and
 FIG. 9 is a top front perspective view of the beer cooler embodiment shown in FIG. 1 with the top lid in open position;
 FIG. 10 is a top rear perspective view of a beer cooler showing a second embodiment of my new design;
 FIG. 11 is a top front perspective view of the beer cooler embodiment shown in FIG. 10;
 FIG. 12 is a bottom plan view of the beer cooler embodiment shown in FIG. 10;
 FIG. 13 is a top plan view of the beer cooler embodiment shown in FIG. 10;
 FIG. 14 is a rear elevational view of the beer cooler embodiment shown in FIG. 10;
 FIG. 15 is a front elevational view of the beer cooler embodiment shown in FIG. 10;
 FIG. 16 is a left side elevational view of the beer cooler embodiment shown in FIG. 10;
 FIG. 17 is a right side elevational view of the beer cooler embodiment shown in FIG. 10; and,
 FIG. 18 is a top front perspective view of the beer cooler embodiment shown in FIG. 10 with the top lid in open position.
 The broken lines in the drawing depict portions of the beer cooler that form no part of the claimed design.

(56) **References Cited**

U.S. PATENT DOCUMENTS

- D160,784 S * 11/1950 Huffman D15/82
 - D193,830 S * 10/1962 Golden D34/14
- (Continued)

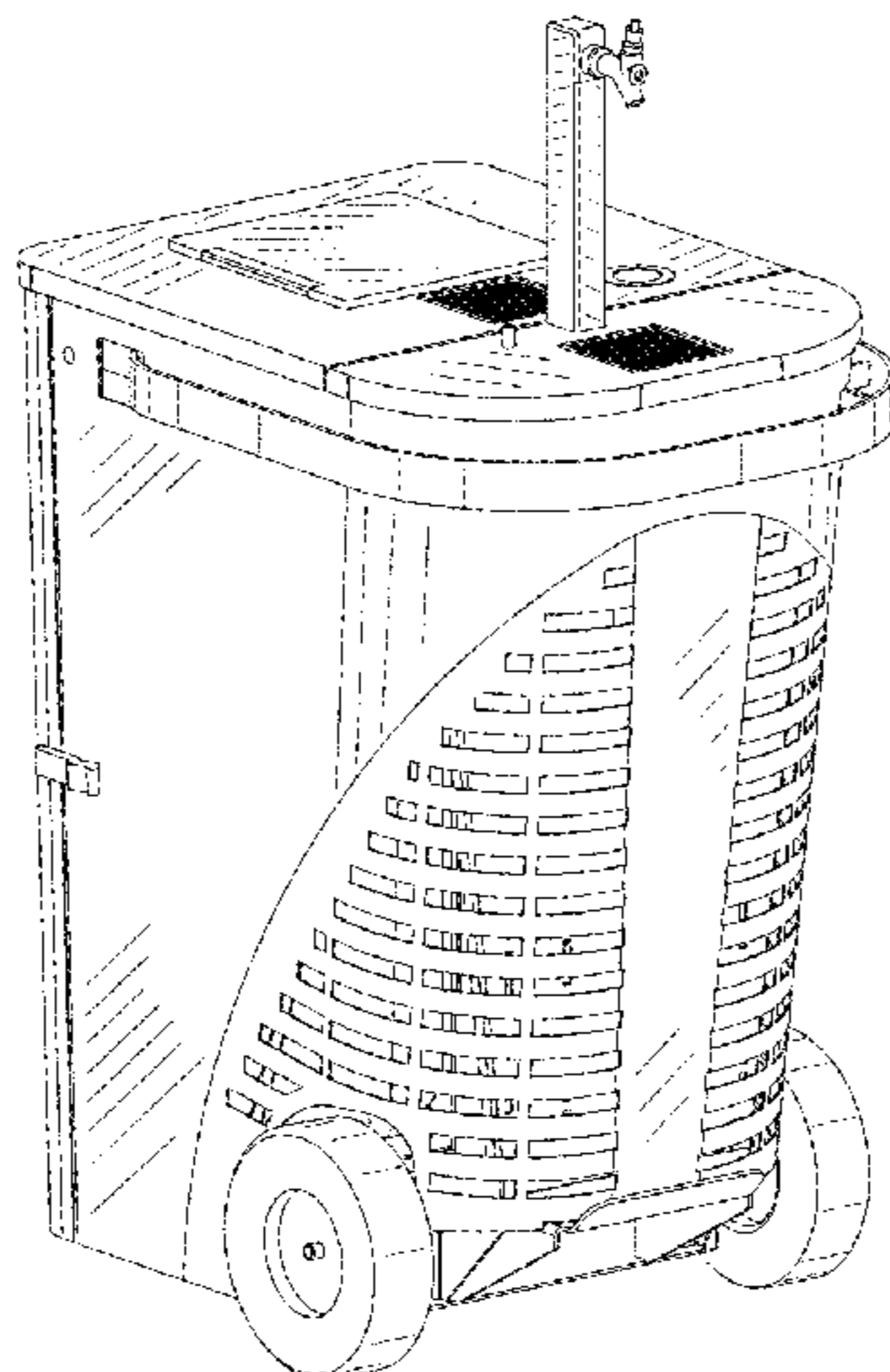
Primary Examiner — Marianne Pandozzi

(74) *Attorney, Agent, or Firm* — Guy V. Manning

(57) **CLAIM**

The ornamental design for a beer cooler, as shown and described.

1 Claim, 10 Drawing Sheets



(56)

References Cited

U.S. PATENT DOCUMENTS

D203,963 S * 3/1966 Frank D7/306
D264,214 S * 5/1982 Bowen D34/14
5,154,317 A * 10/1992 Roppolo, III B05B 9/007
222/331
D429,108 S * 8/2000 Smith D7/300
D445,116 S * 7/2001 Evans D15/79
D497,517 S * 10/2004 Reuter D7/605
D502,353 S * 3/2005 Anderson D7/305
D528,368 S * 9/2006 Maldonado D7/605
7,168,599 B1 * 1/2007 Criswell B62B 1/264
222/142.3
D613,560 S * 4/2010 Robichaud D7/605
D647,748 S * 11/2011 Beekhuis D7/300
D732,327 S * 6/2015 Ciuksza, Jr. D7/300

* cited by examiner

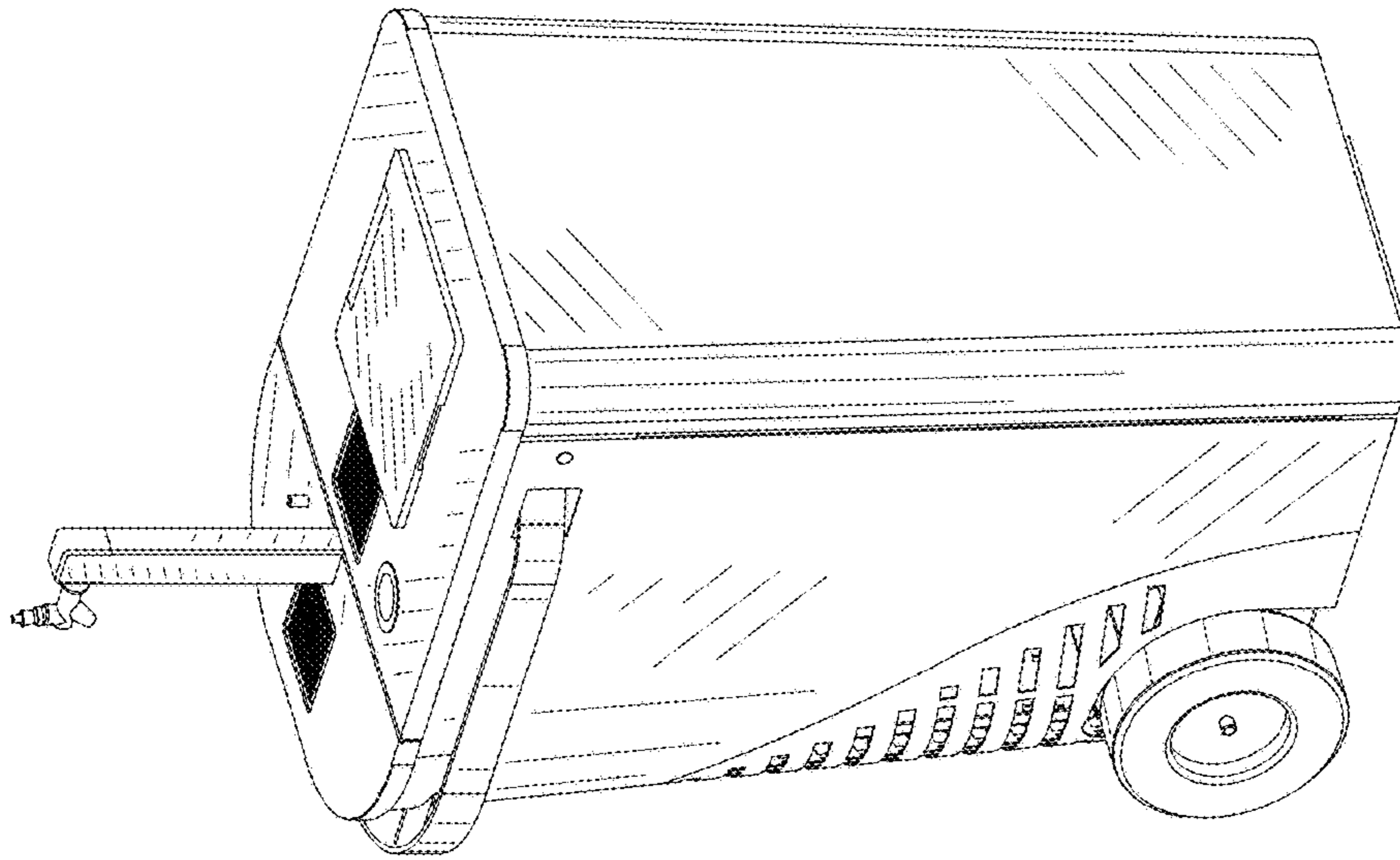


Fig. 2

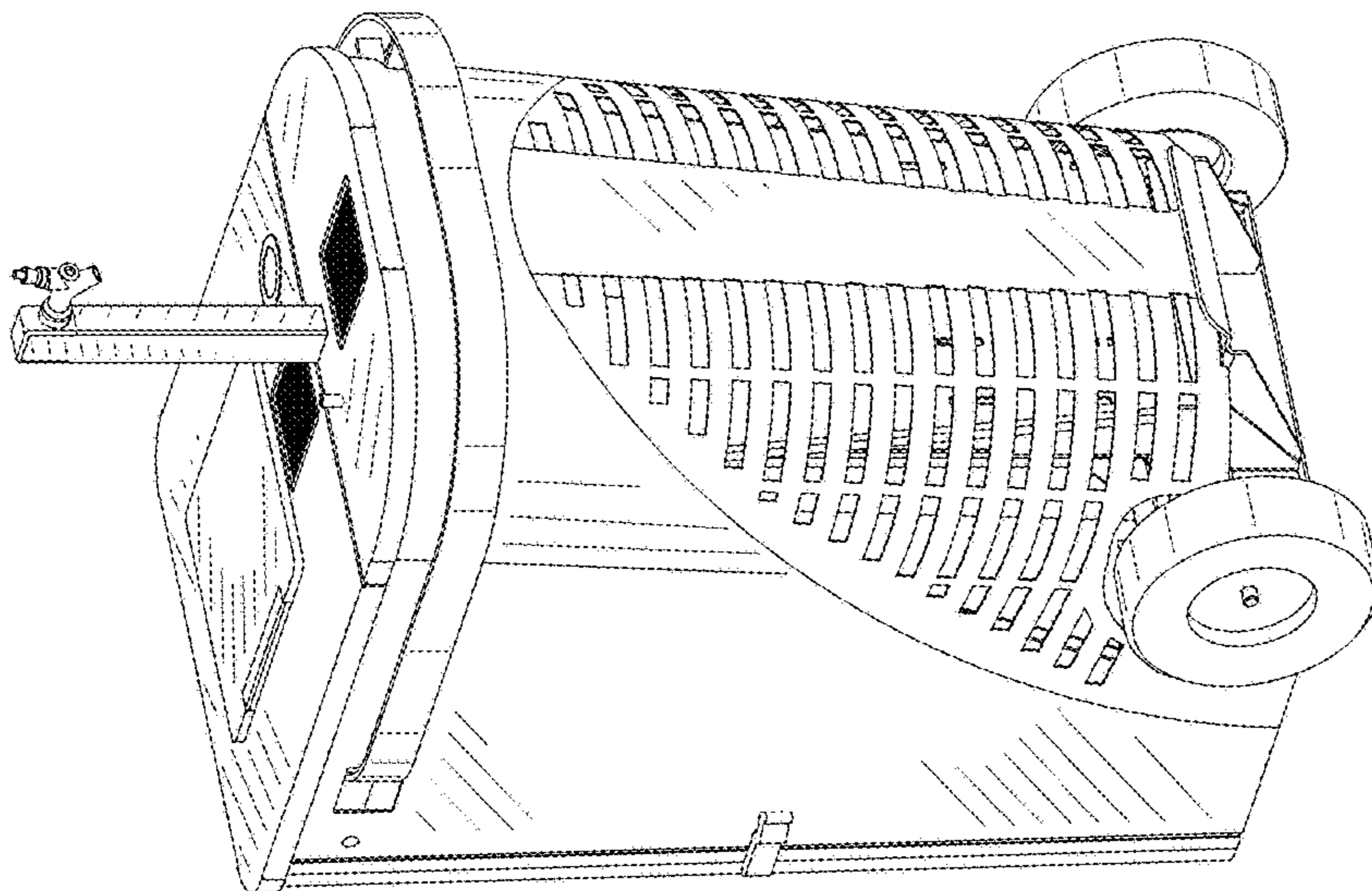


Fig. 1

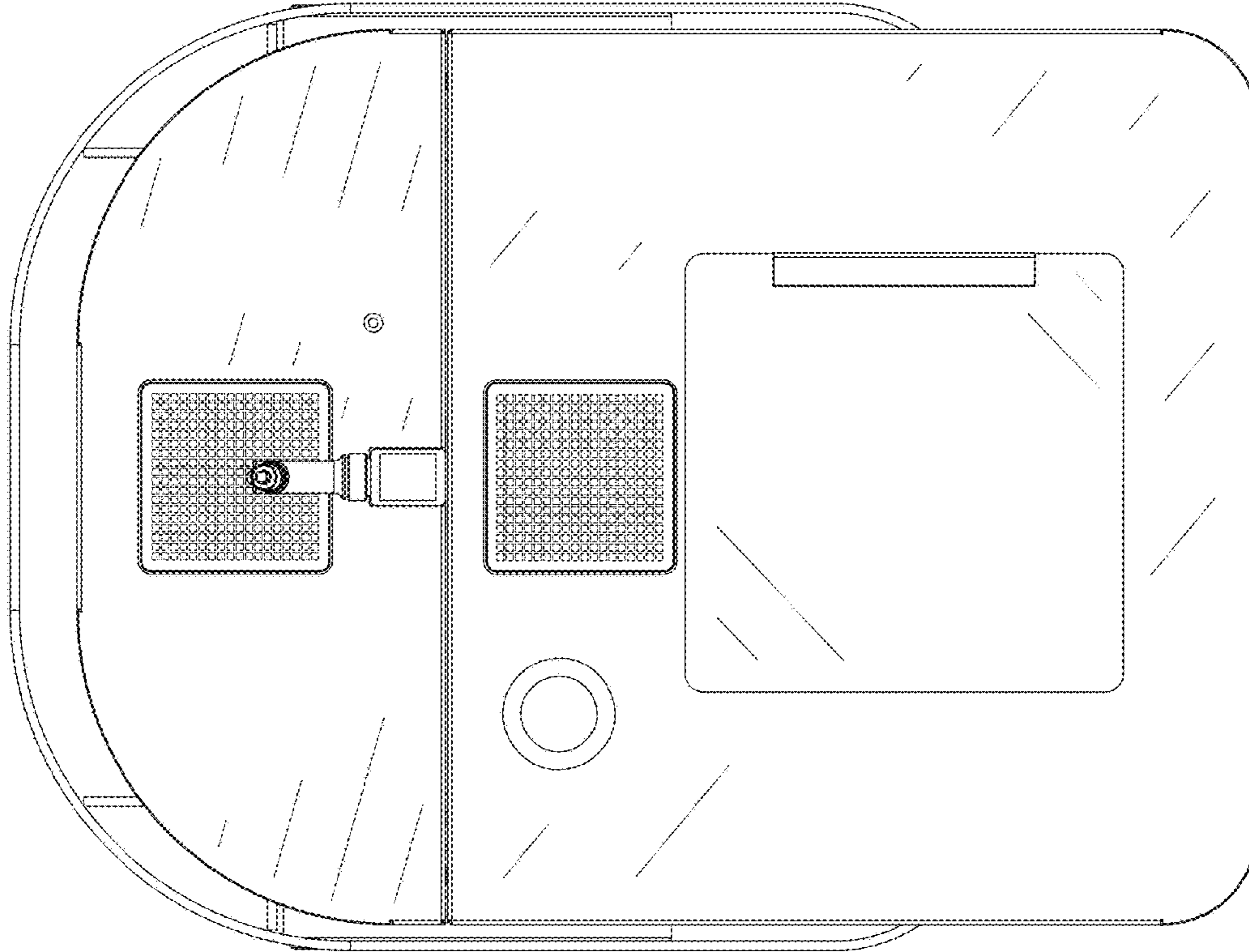


Fig. 4

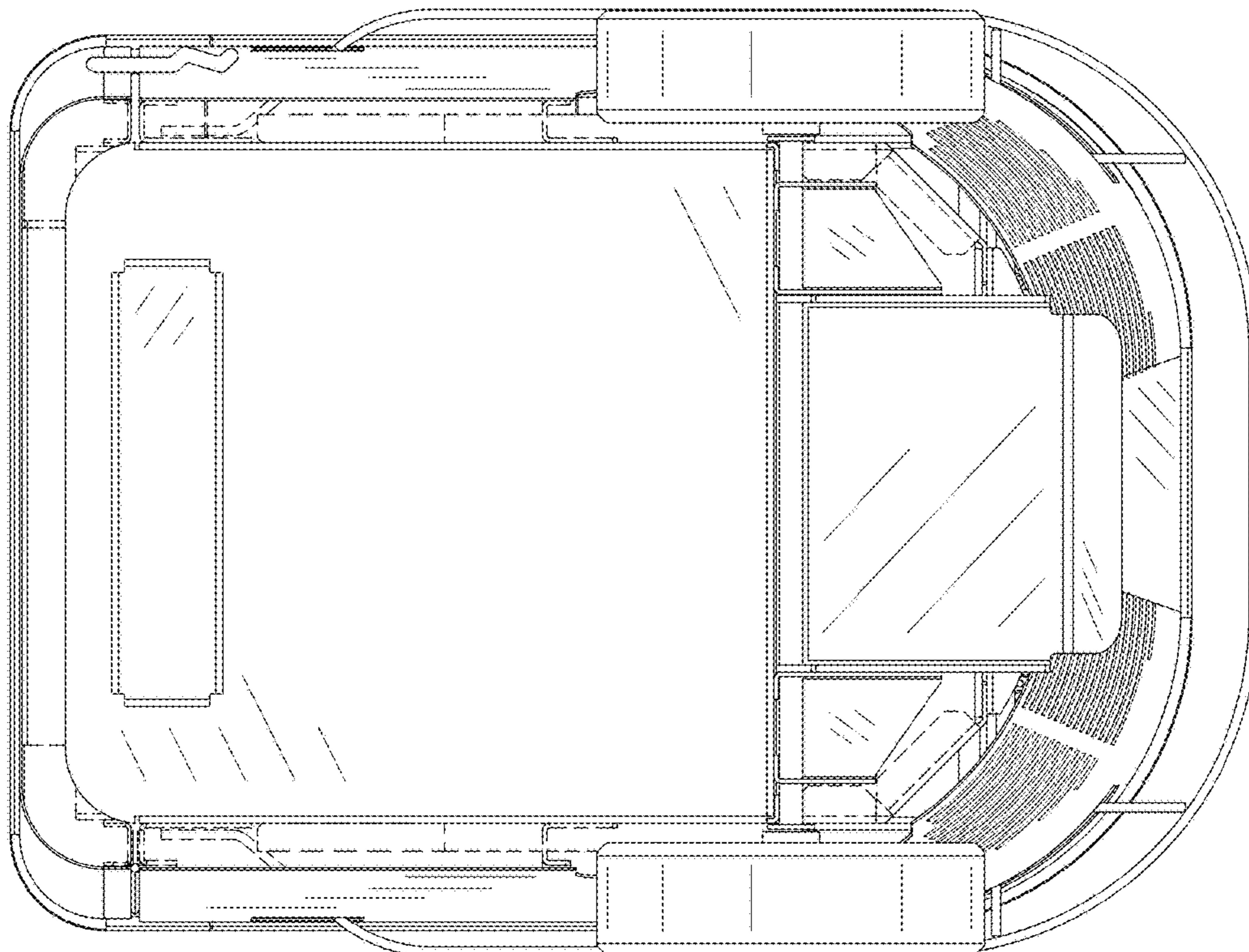


Fig. 3

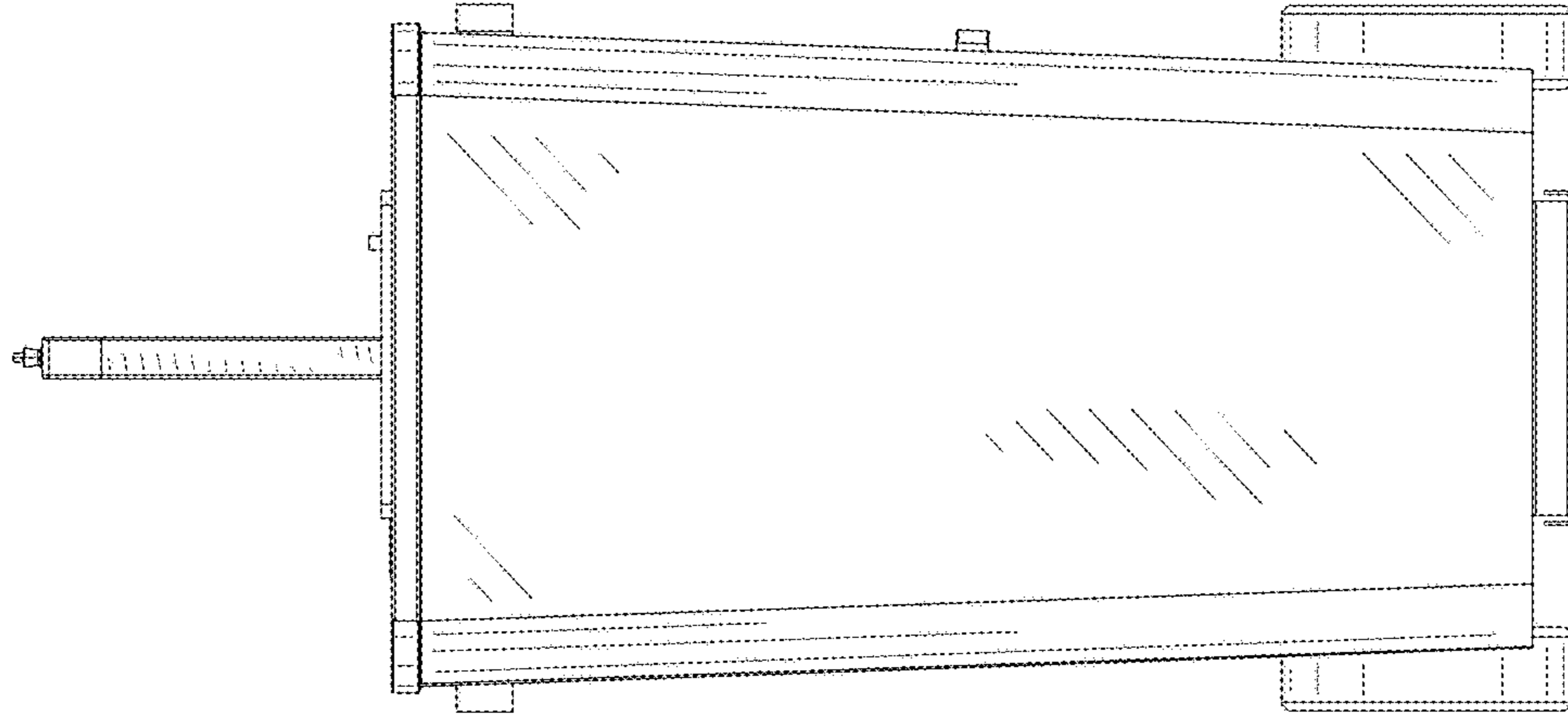


Fig. 6

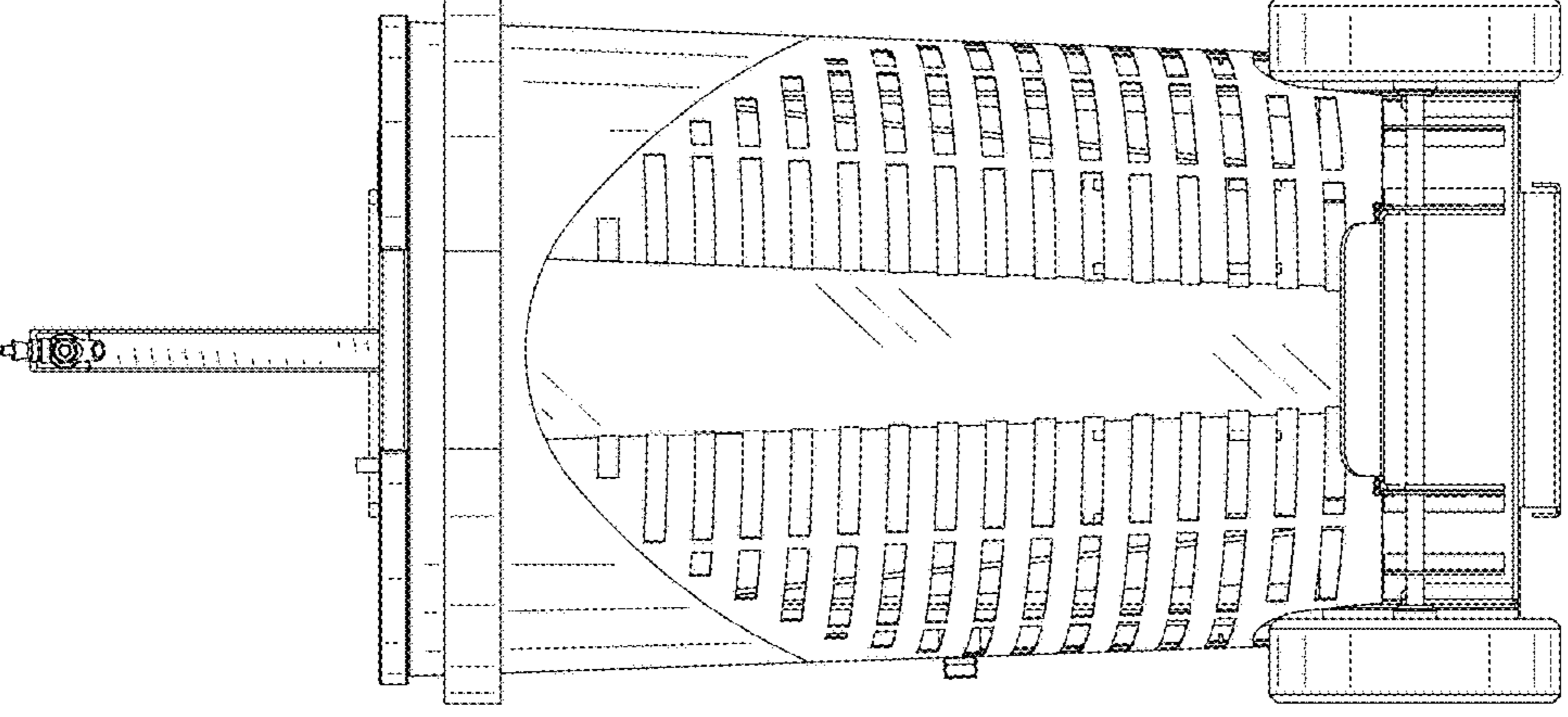


Fig. 5

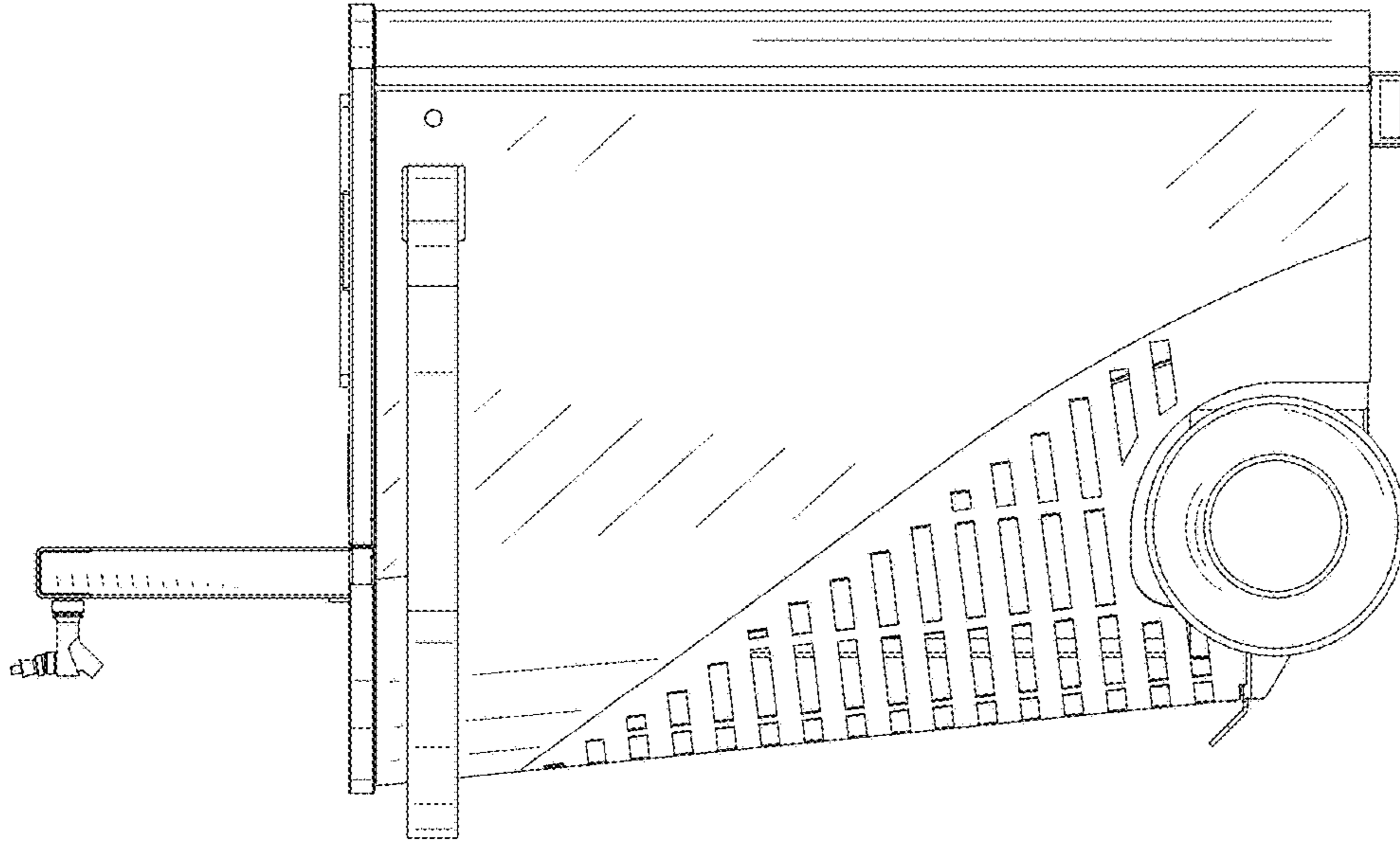


Fig. 8

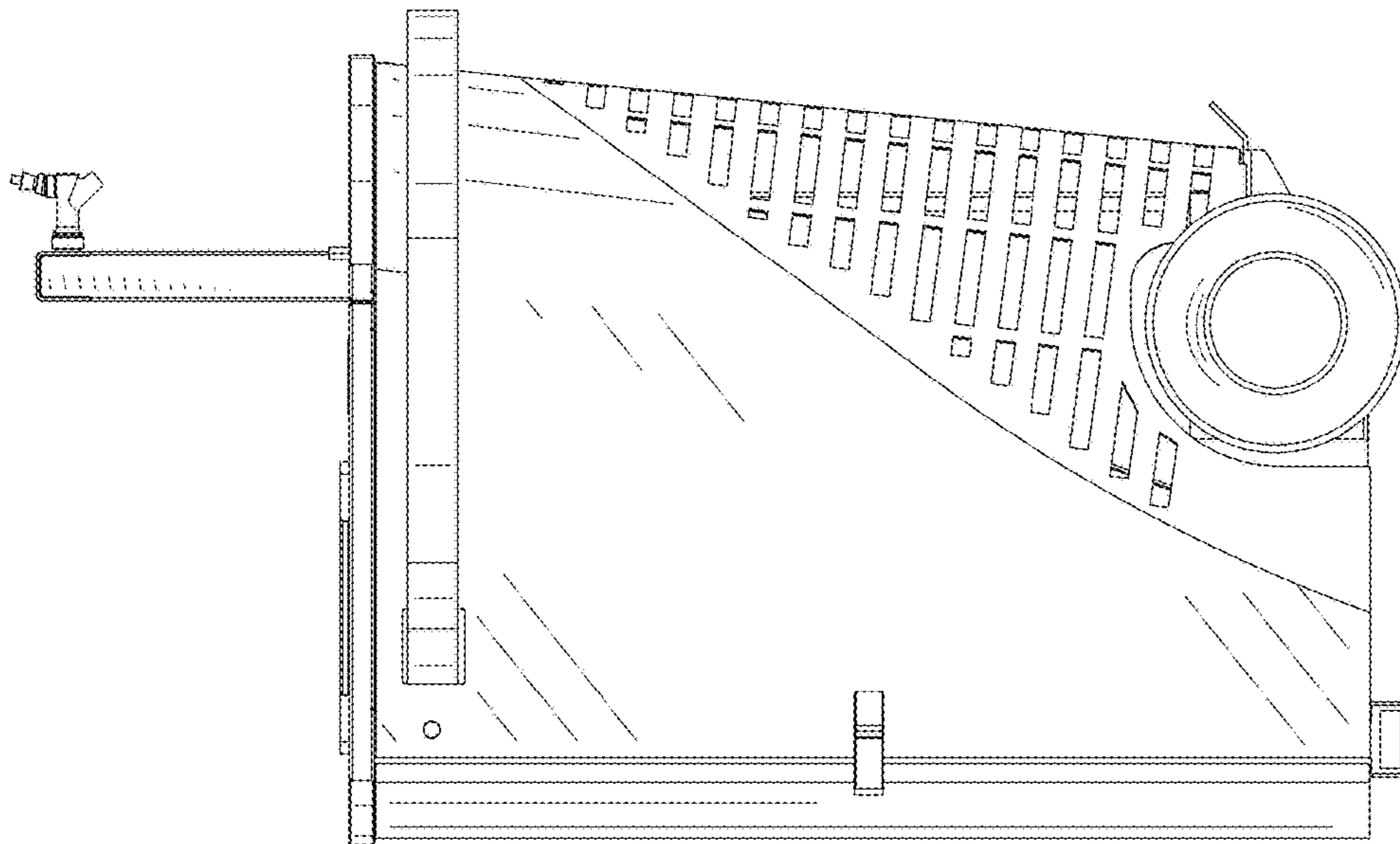


Fig. 7

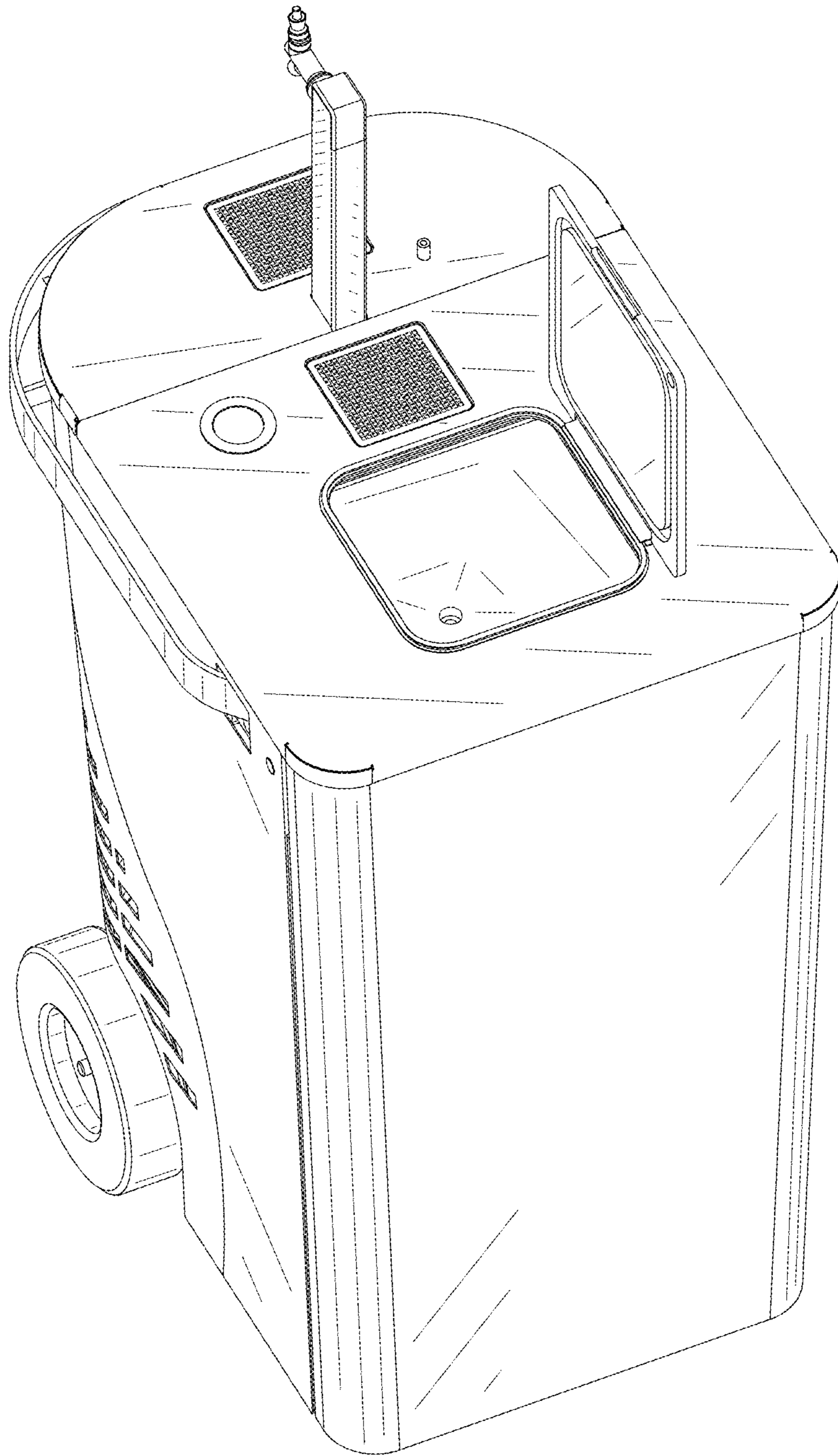


Fig. 9

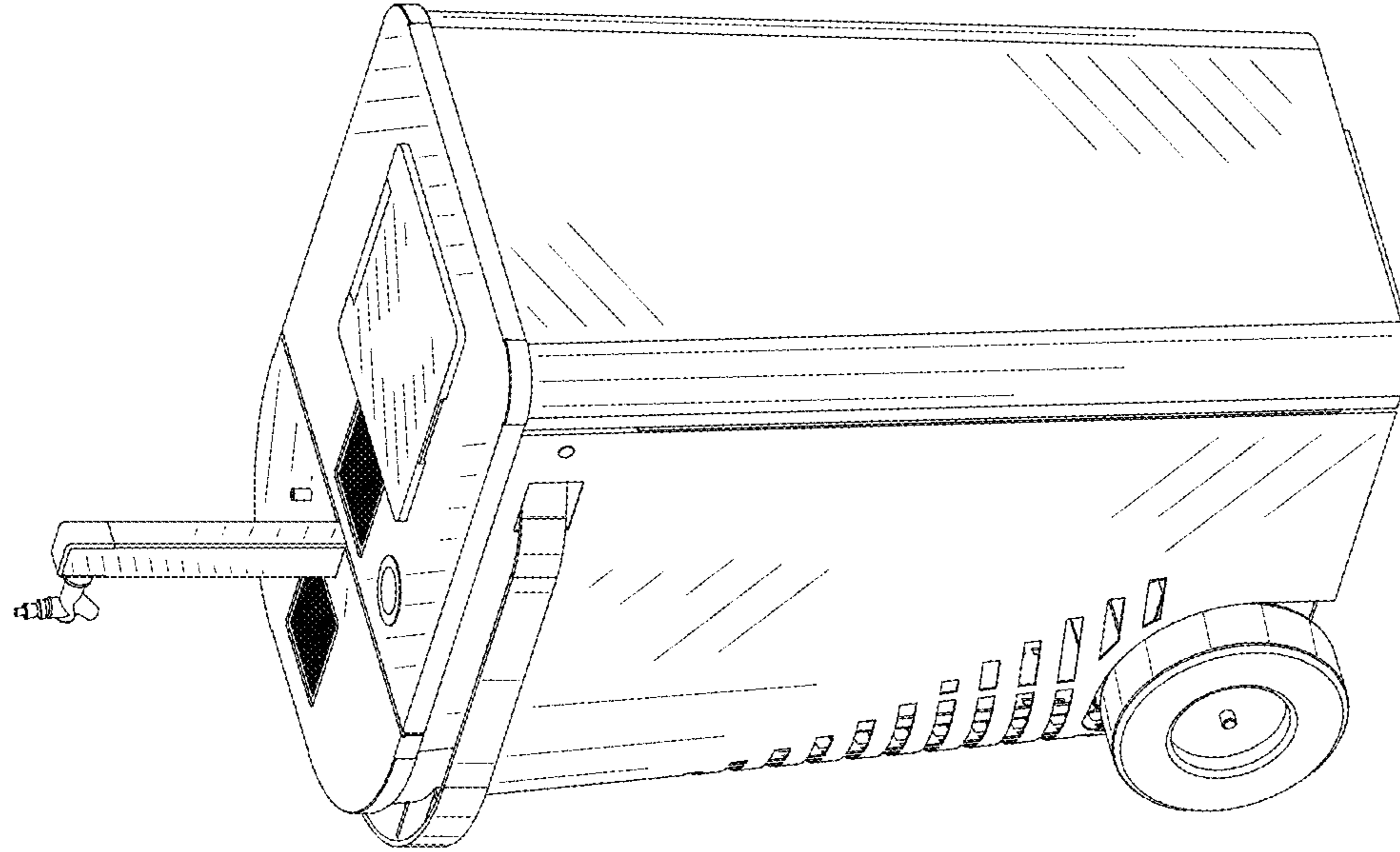


Fig. 10

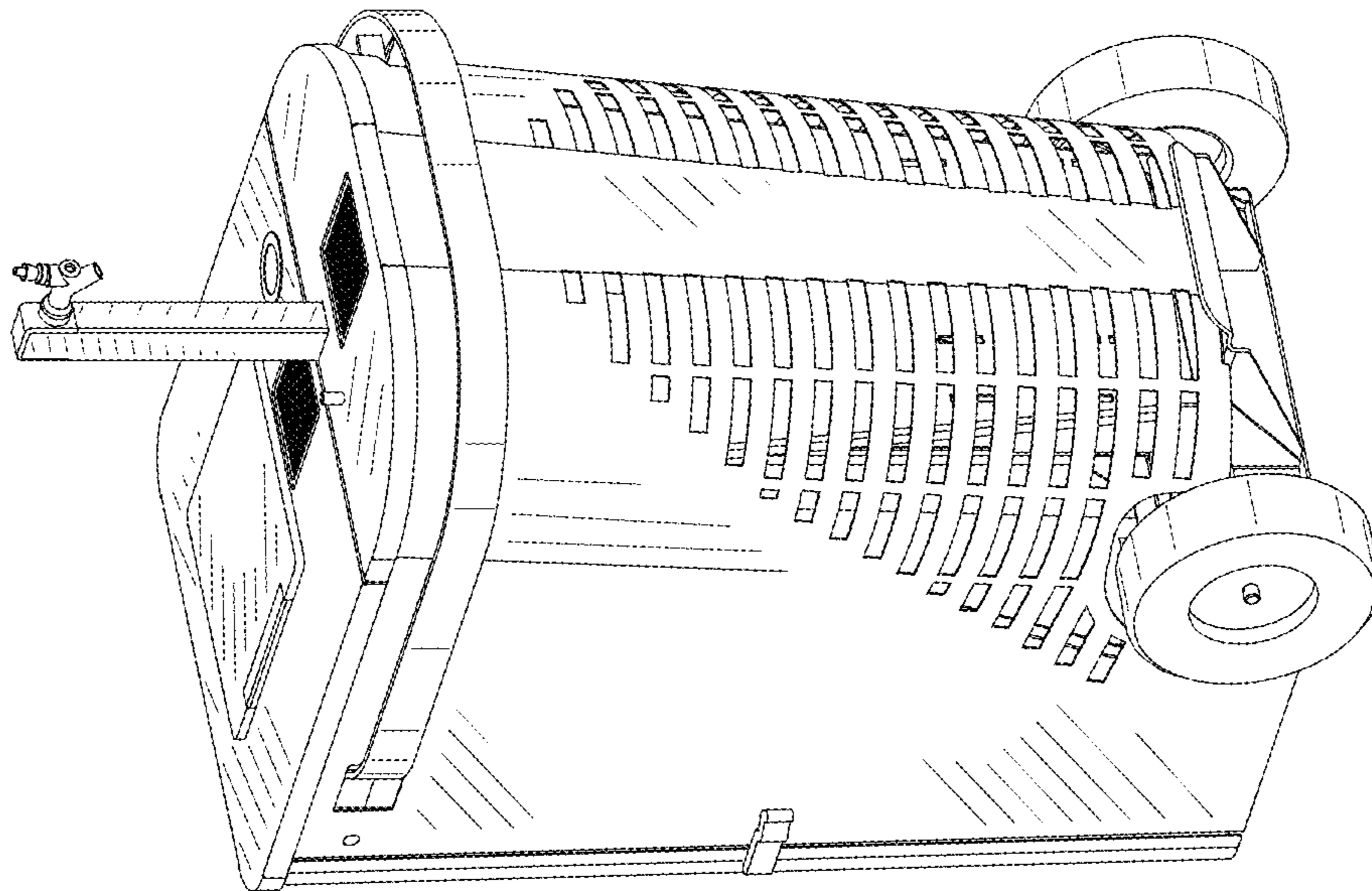


Fig. 11

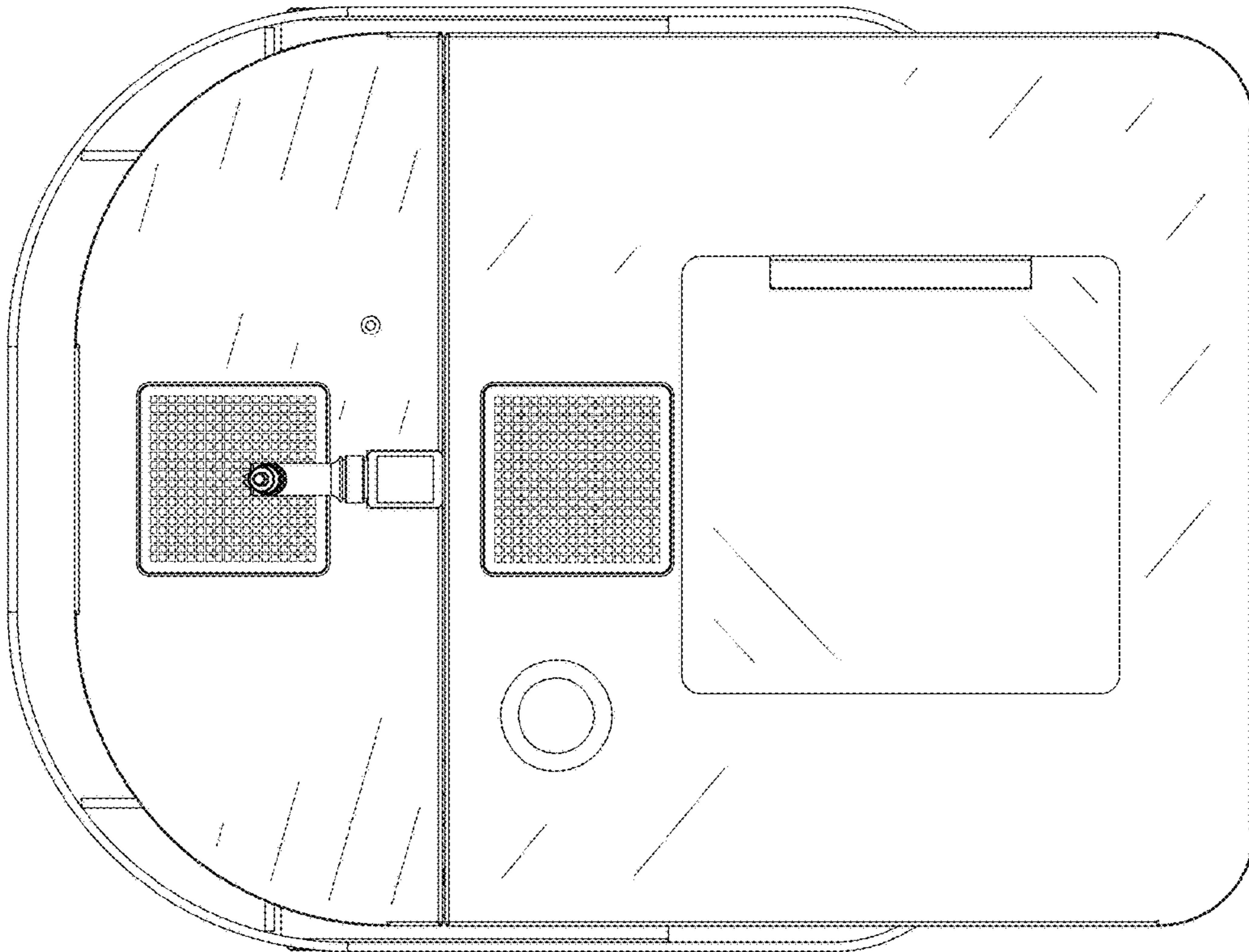


Fig. 13

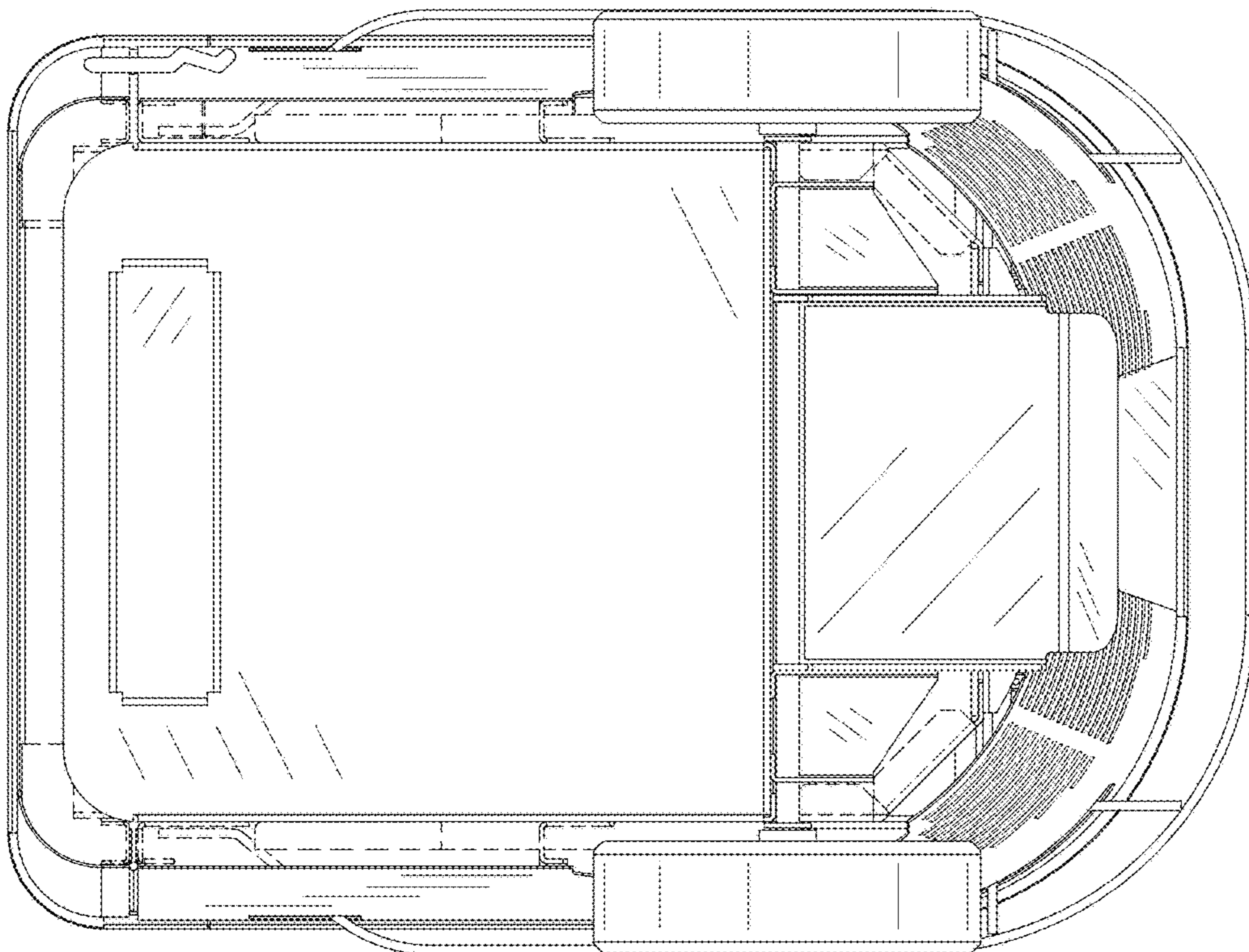


Fig. 12

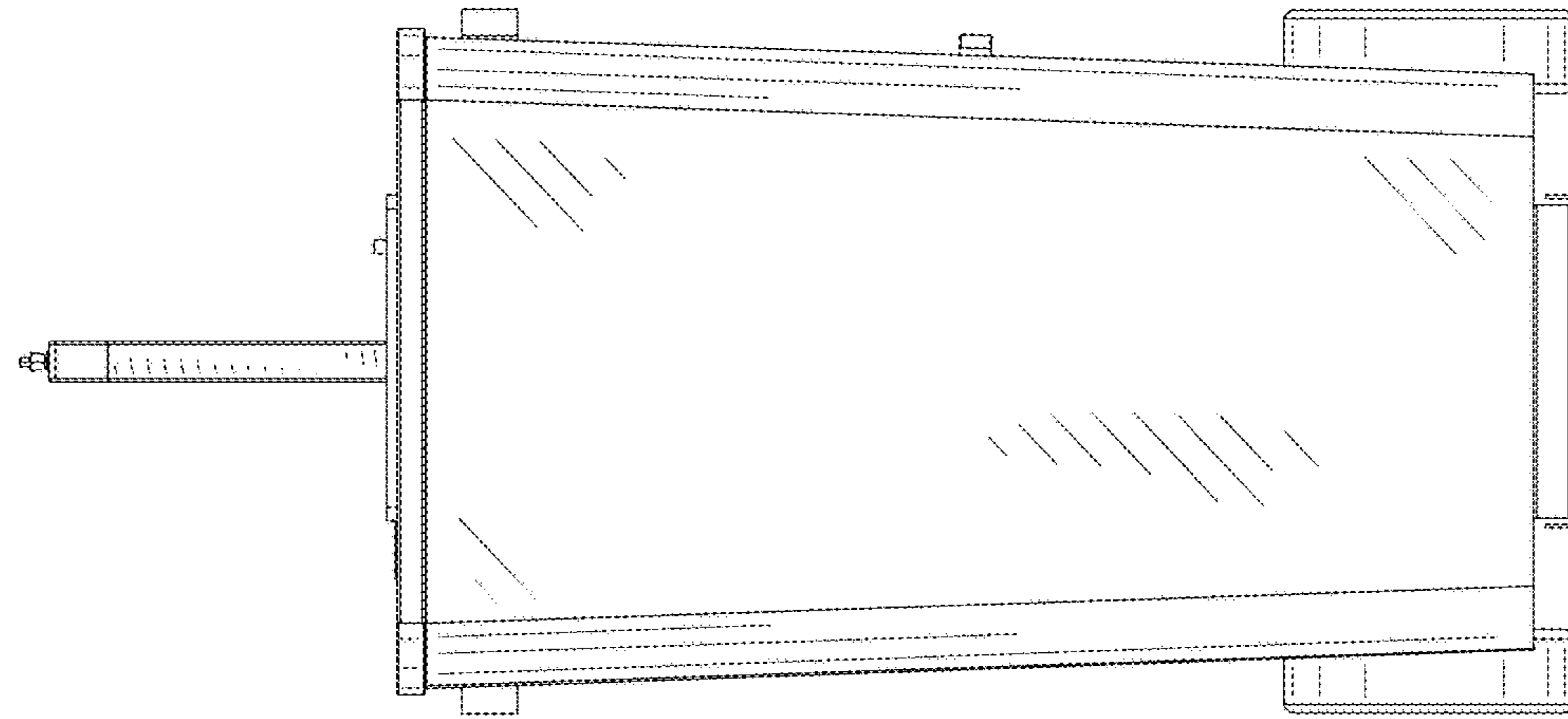


Fig. 15

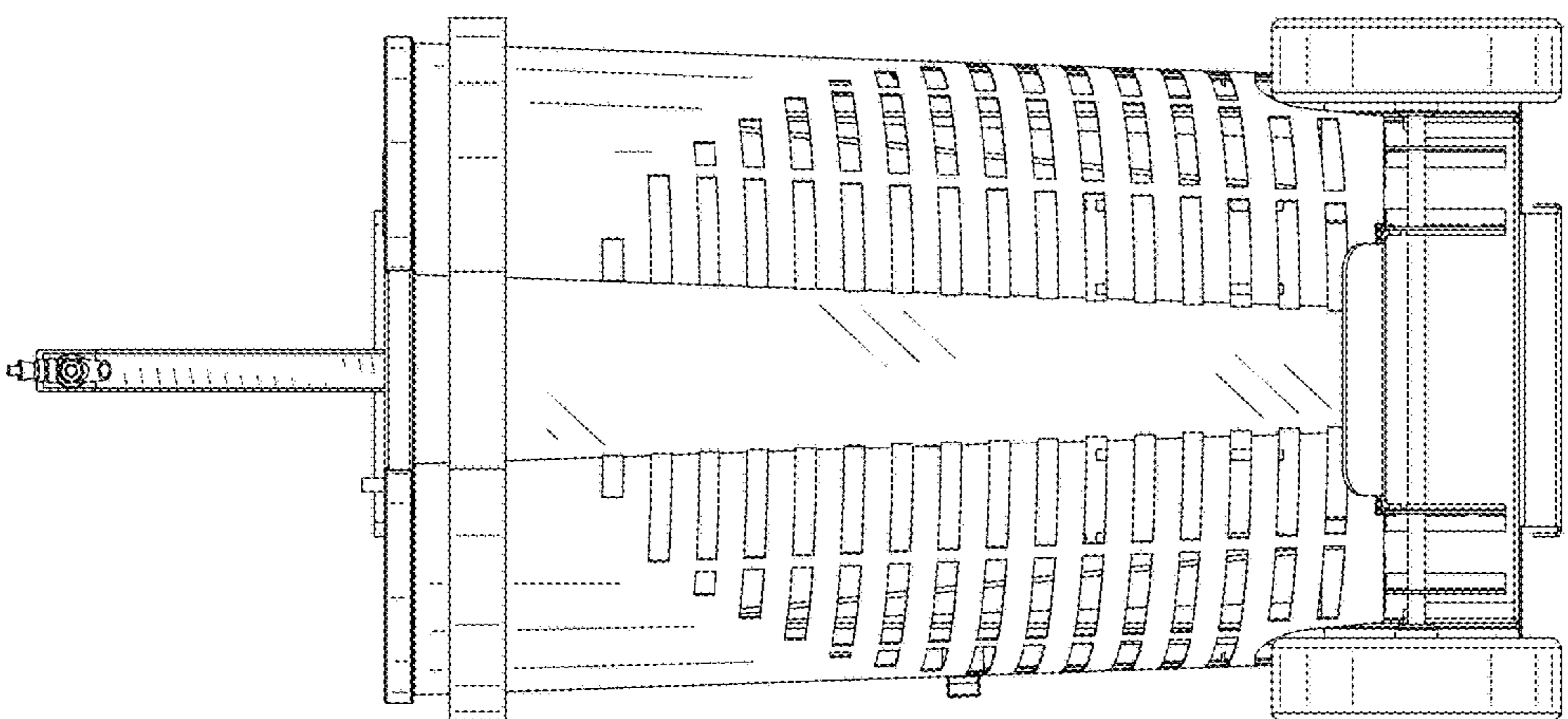


Fig. 14

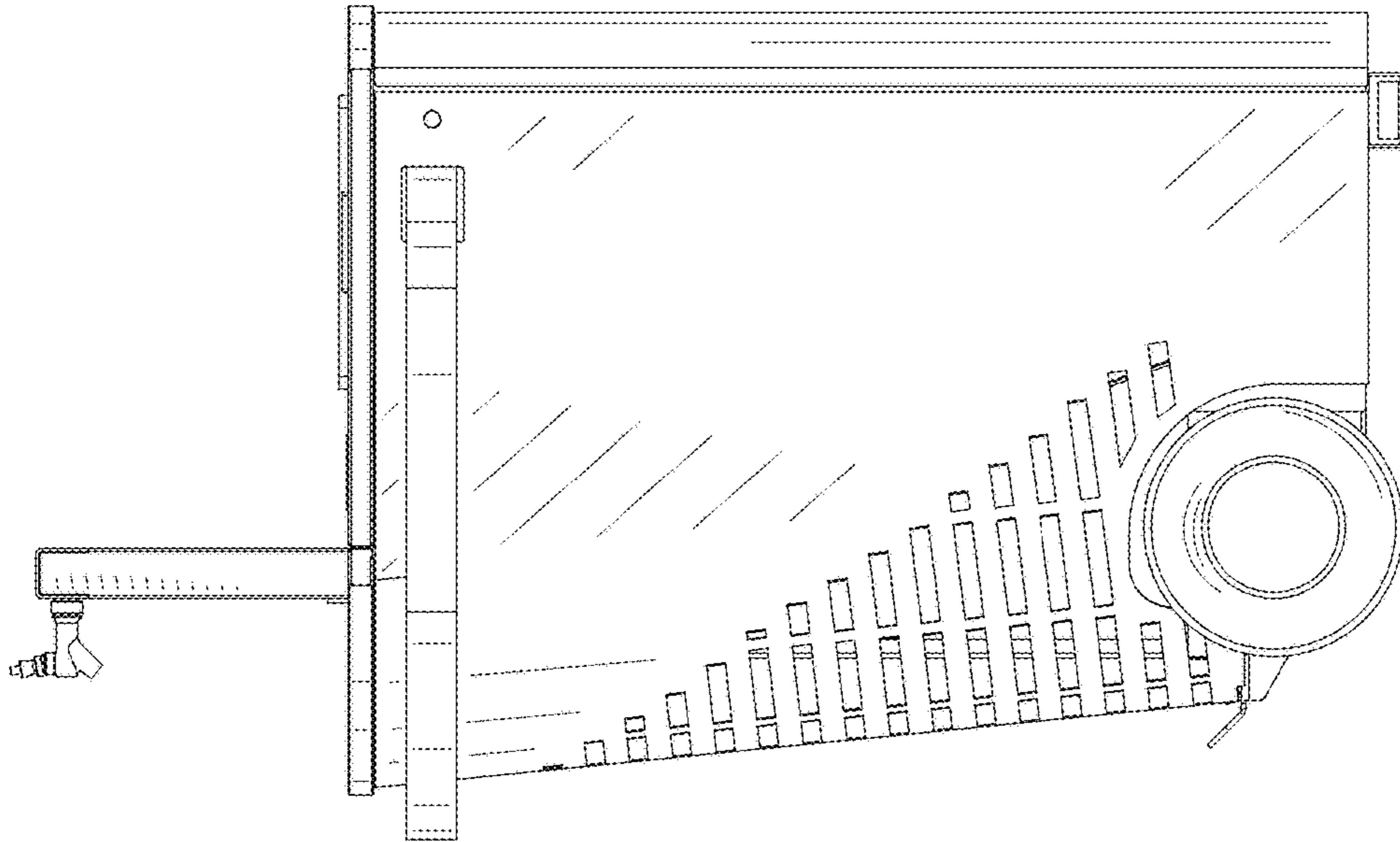


Fig. 16

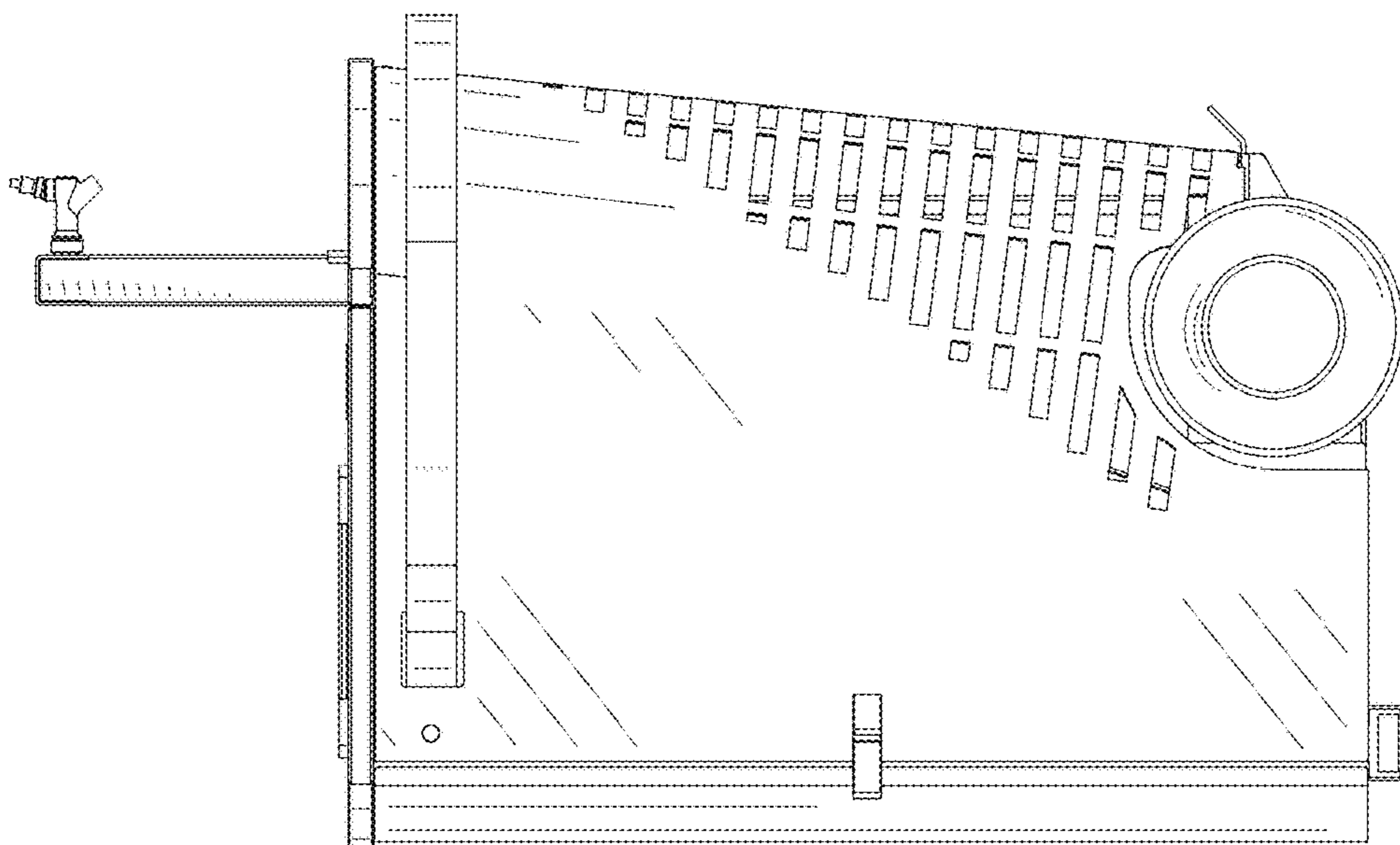


Fig. 17

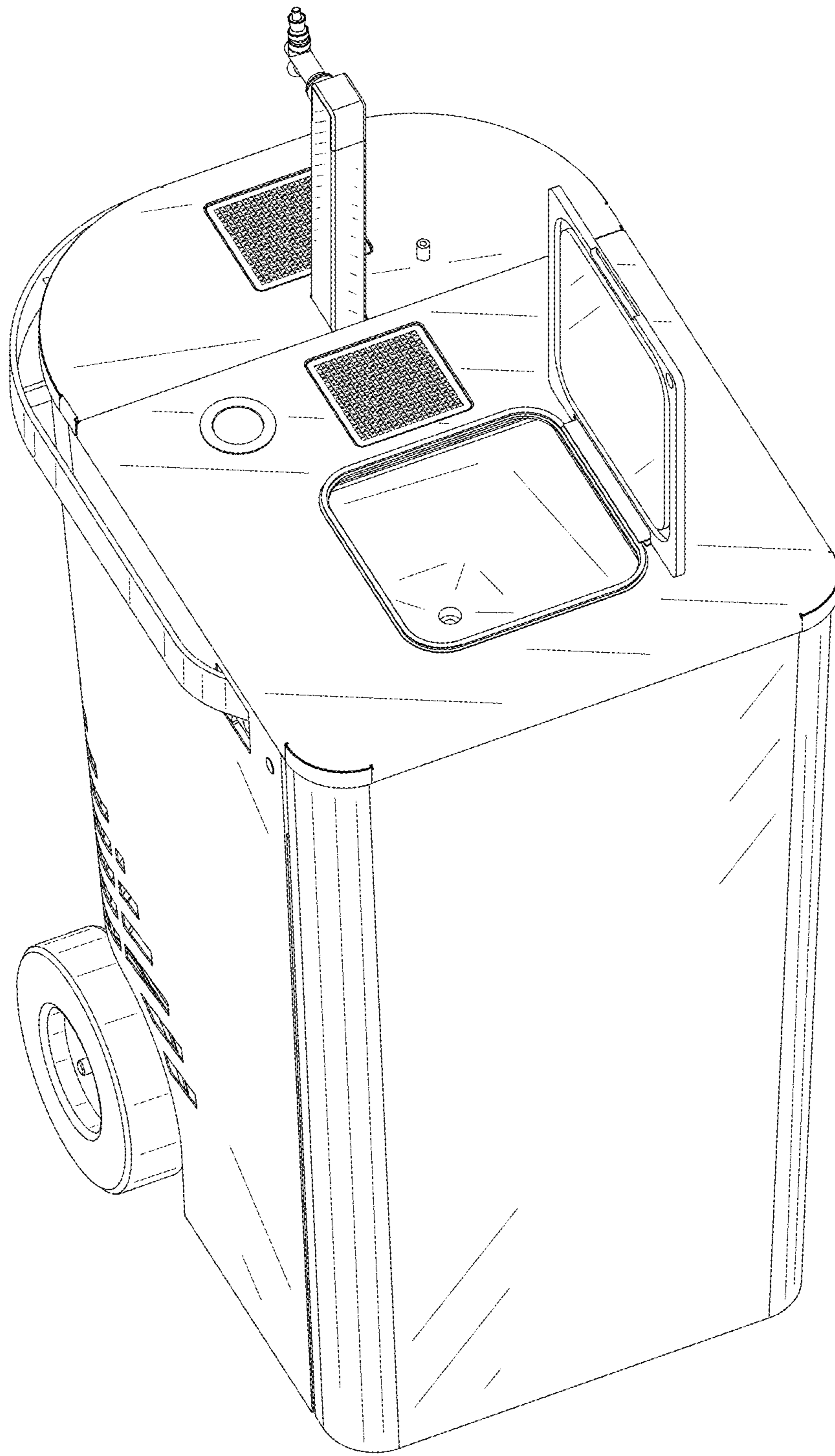


Fig. 18