



US00D778661S

(12) **United States Design Patent**
Vazin

(10) **Patent No.:** **US D778,661 S**

(45) **Date of Patent:** **** Feb. 14, 2017**

(54) **BOTTLE**
(71) Applicant: **AMERICAN MADE PLASTIC INC.,**
Riverside, CA (US)

(72) Inventor: **Moe Vazin, Riverside, CA (US)**

(73) Assignee: **American Made Plastic Inc.,**
Riverside, CA (US)

(**) Term: **14 Years**

(21) Appl. No.: **29/517,666**

(22) Filed: **Feb. 15, 2015**

(51) **LOC (10) Cl.** **07-01**

(52) **U.S. Cl.**
USPC **D7/306; D9/531**

(58) **Field of Classification Search**
USPC D7/306-308, 312, 313, 509-511,
532, D7/533; D9/516, 531, 540, 543, 549;
215/14, 215/200, 214, 217, 223, 379,
382-385, 396, 215/398; 222/185.1, 465.1
CPC B65D 90/02; B65D 79/00
See application file for complete search history.

(56) **References Cited**

U.S. PATENT DOCUMENTS

D276,499 S * 11/1984 Kamada D34/39
D335,744 S * 5/1993 Small D23/205
D376,730 S * 12/1996 Hurst D7/514
D378,055 S * 2/1997 Waldon D7/313
D378,883 S * 4/1997 Magnusson D23/209
D436,294 S * 1/2001 Marck D7/511
D489,574 S * 5/2004 Copeland D7/533

D490,654 S * 6/2004 Allen D7/313
D529,749 S * 10/2006 Allen D7/306
D567,589 S * 4/2008 Freeman D7/533
D586,228 S * 2/2009 McWillis D6/674
D603,575 S * 11/2009 Kerman D23/202
D651,854 S * 1/2012 Cabados D7/510

OTHER PUBLICATIONS

Libbey Glassware Crisa Glass Barrel with Lid, announced Jun. 2007, [online], site visited Aug. 17, 2016. Available from Internet, <URL: <http://www.amazon.com>>.*

* cited by examiner

Primary Examiner — Ian Simmons

Assistant Examiner — Janice Lim

(74) *Attorney, Agent, or Firm* — Smyrski Law Group, A.P.C.

(57) **CLAIM**

The ornamental design for a bottle, as shown and described.

DESCRIPTION

FIG. 1 is a perspective view of a bottle showing my new design;

FIG. 2 is a front view thereof;

FIG. 3 is a side view thereof;

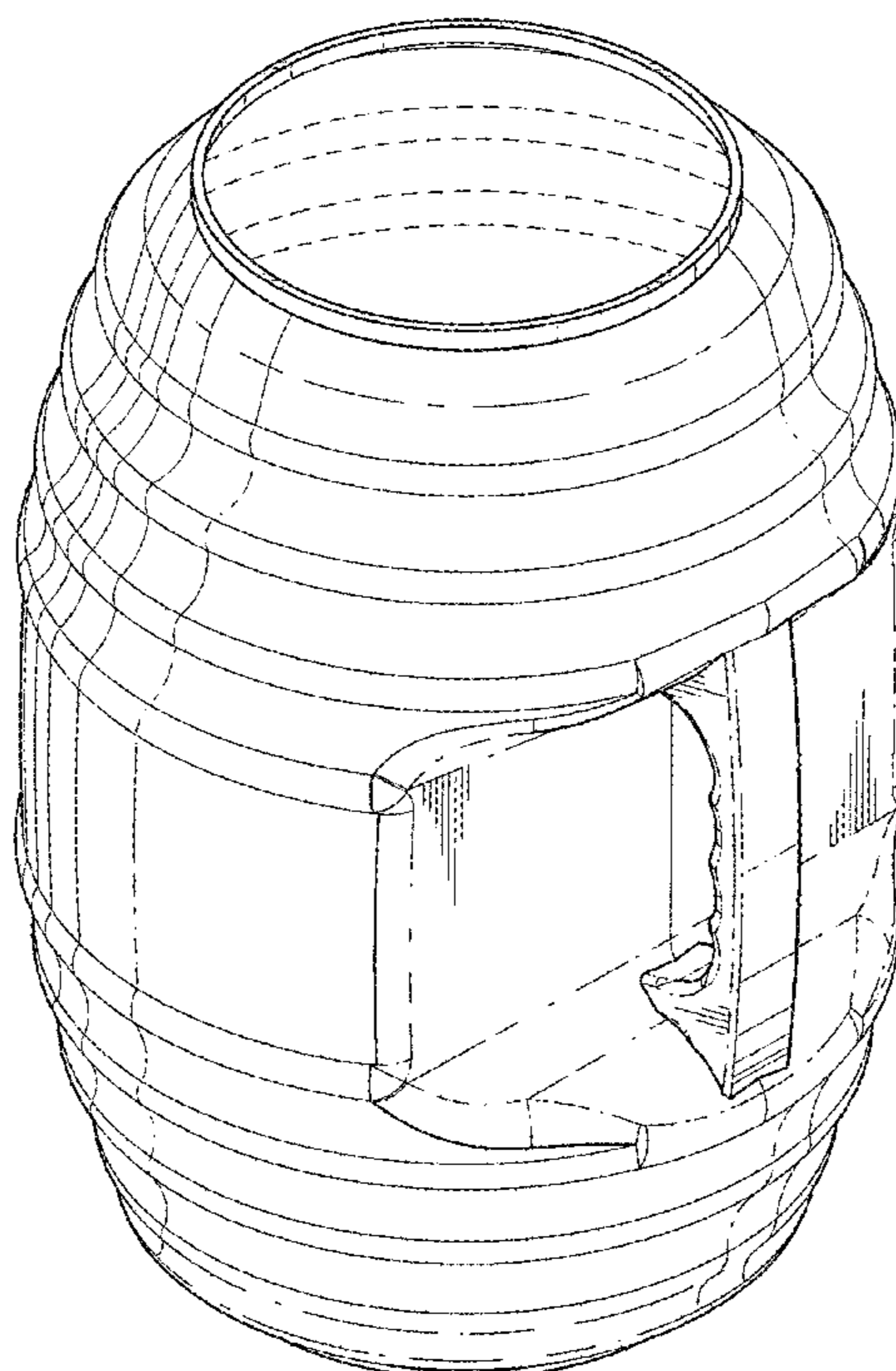
FIG. 4 is a back view thereof;

FIG. 5 is a top plan view thereof; and,

FIG. 6 is a bottom plan view thereof.

The broken line portions are included to show unclaimed subject matter only and form no part of the claimed design.

1 Claim, 6 Drawing Sheets



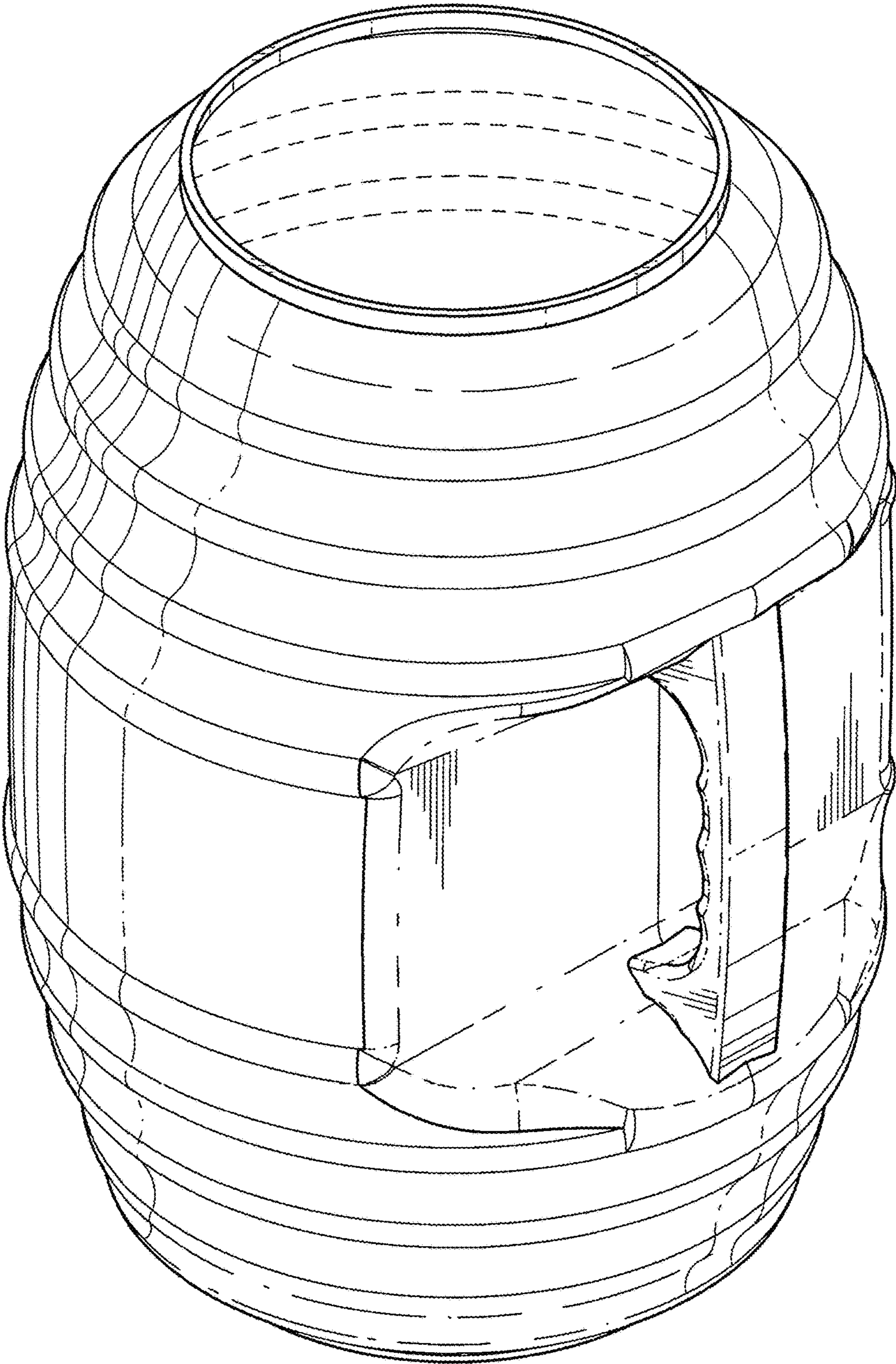


FIG. 1

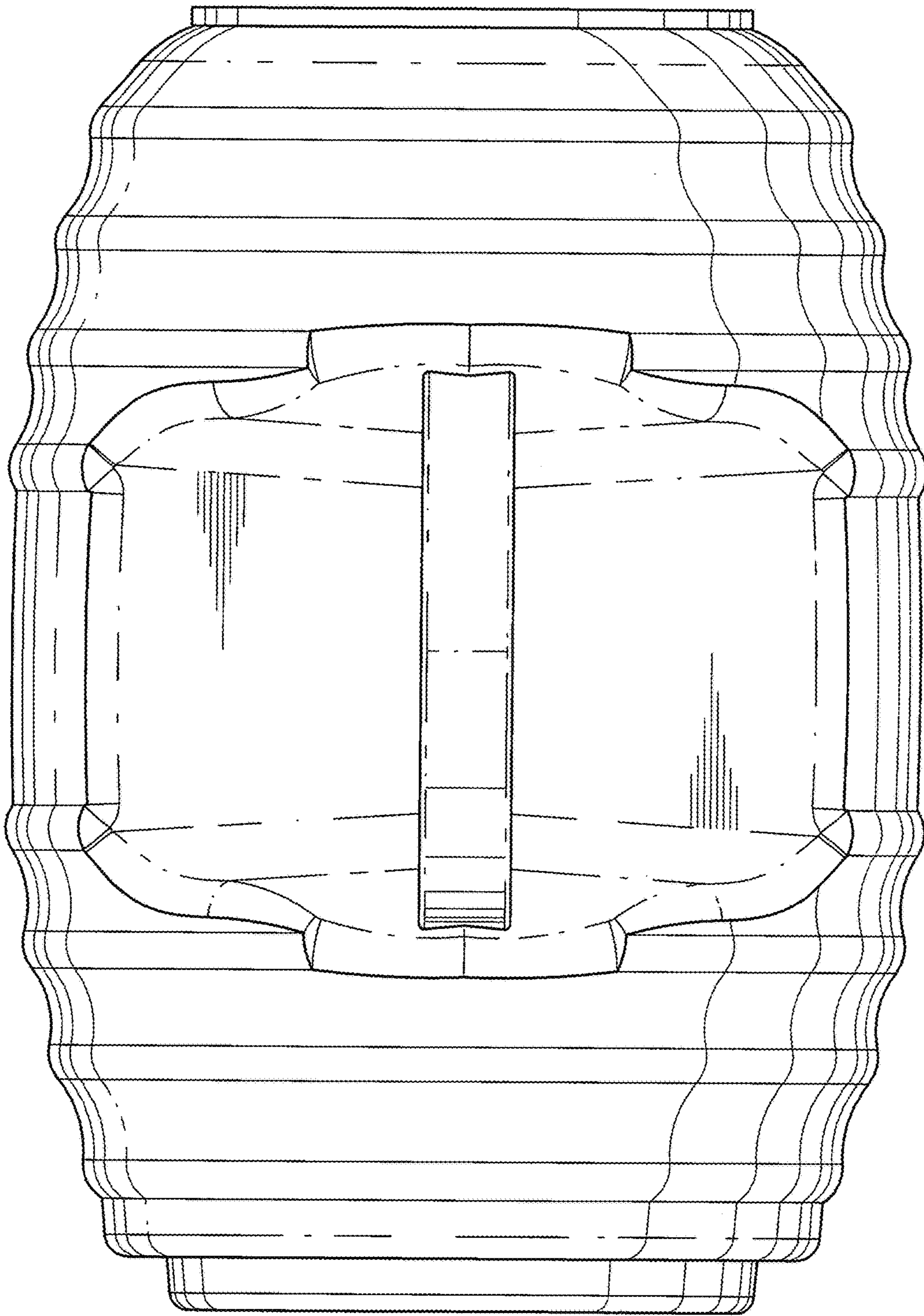


FIG. 2

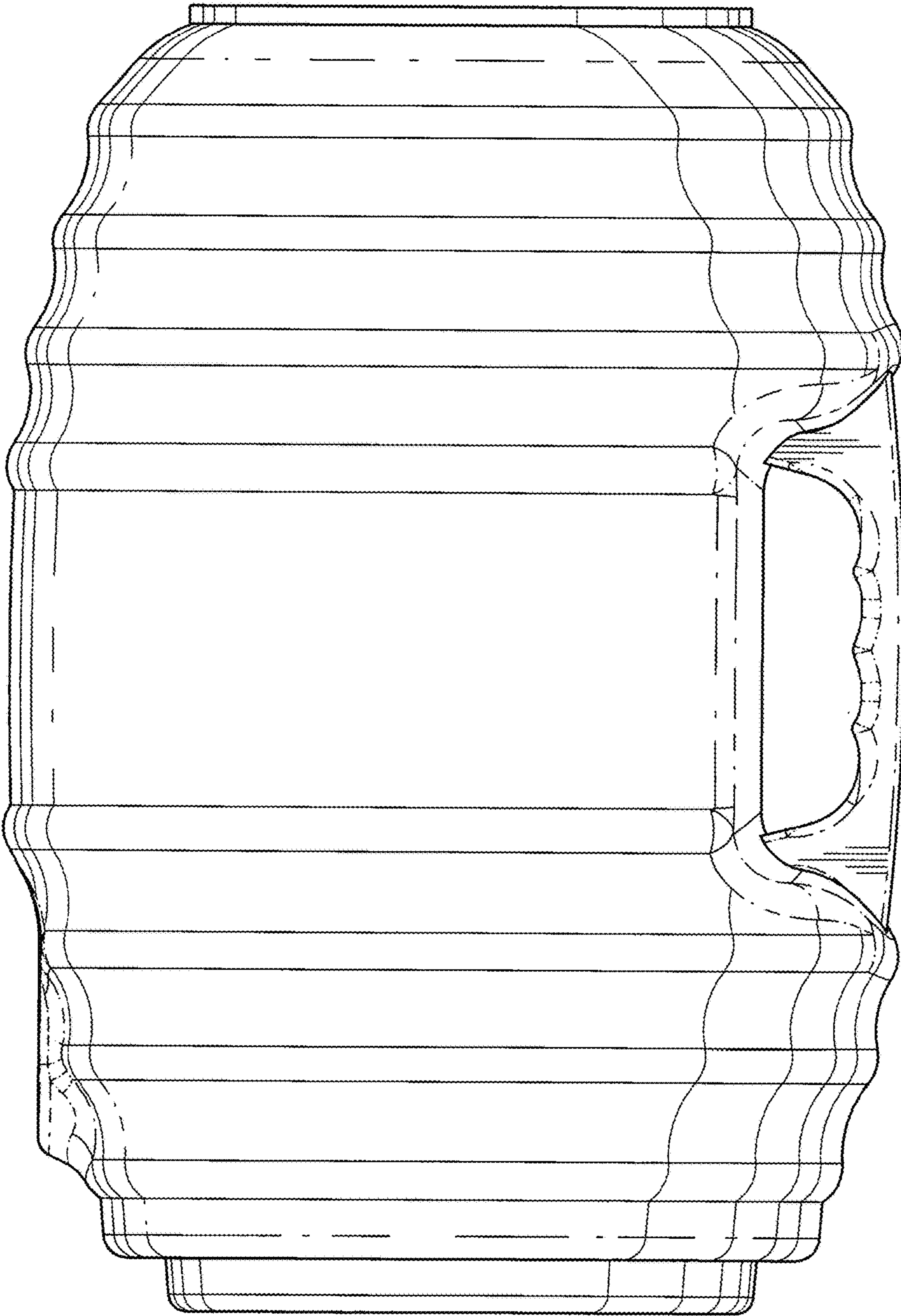


FIG. 3

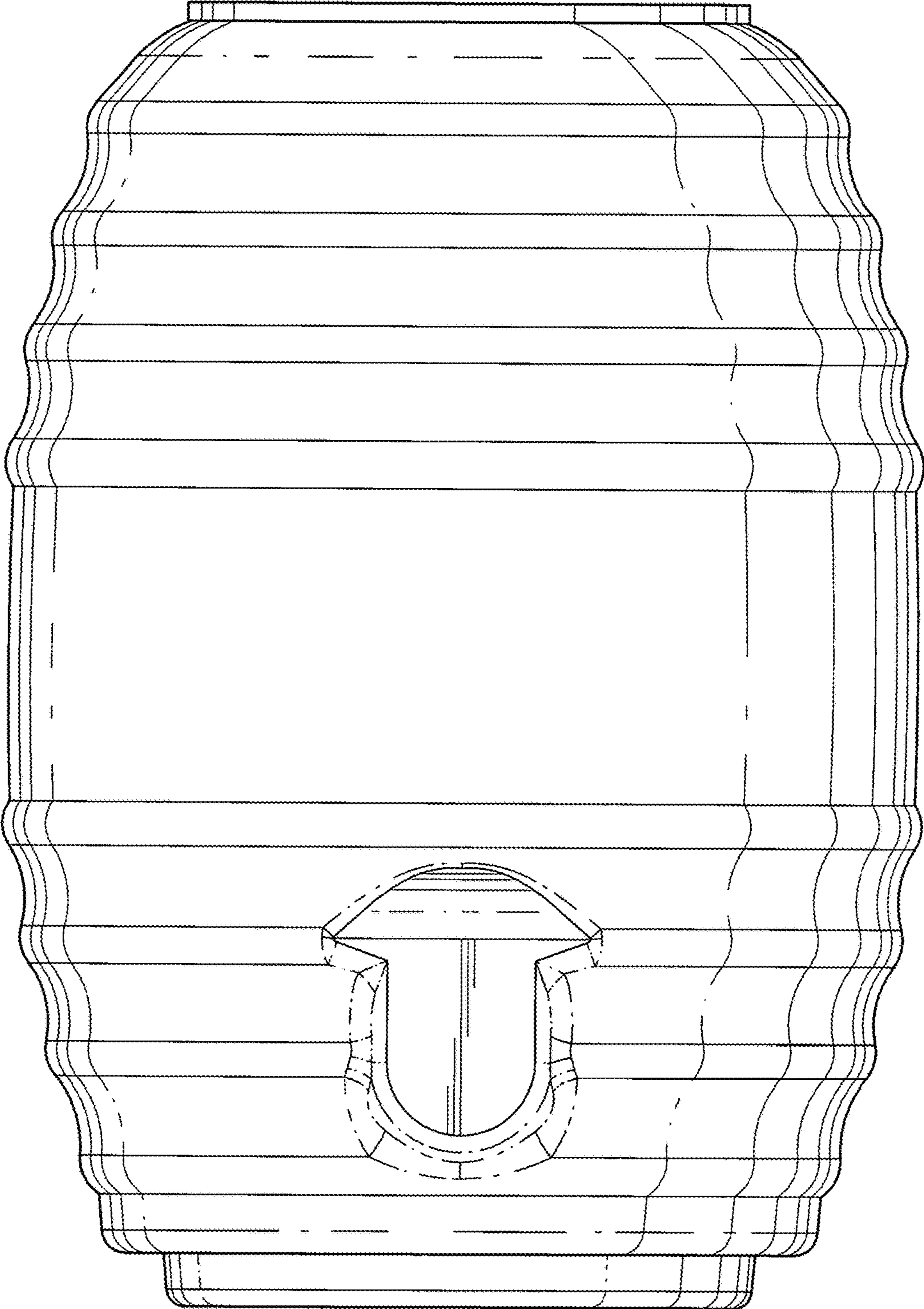


FIG. 4

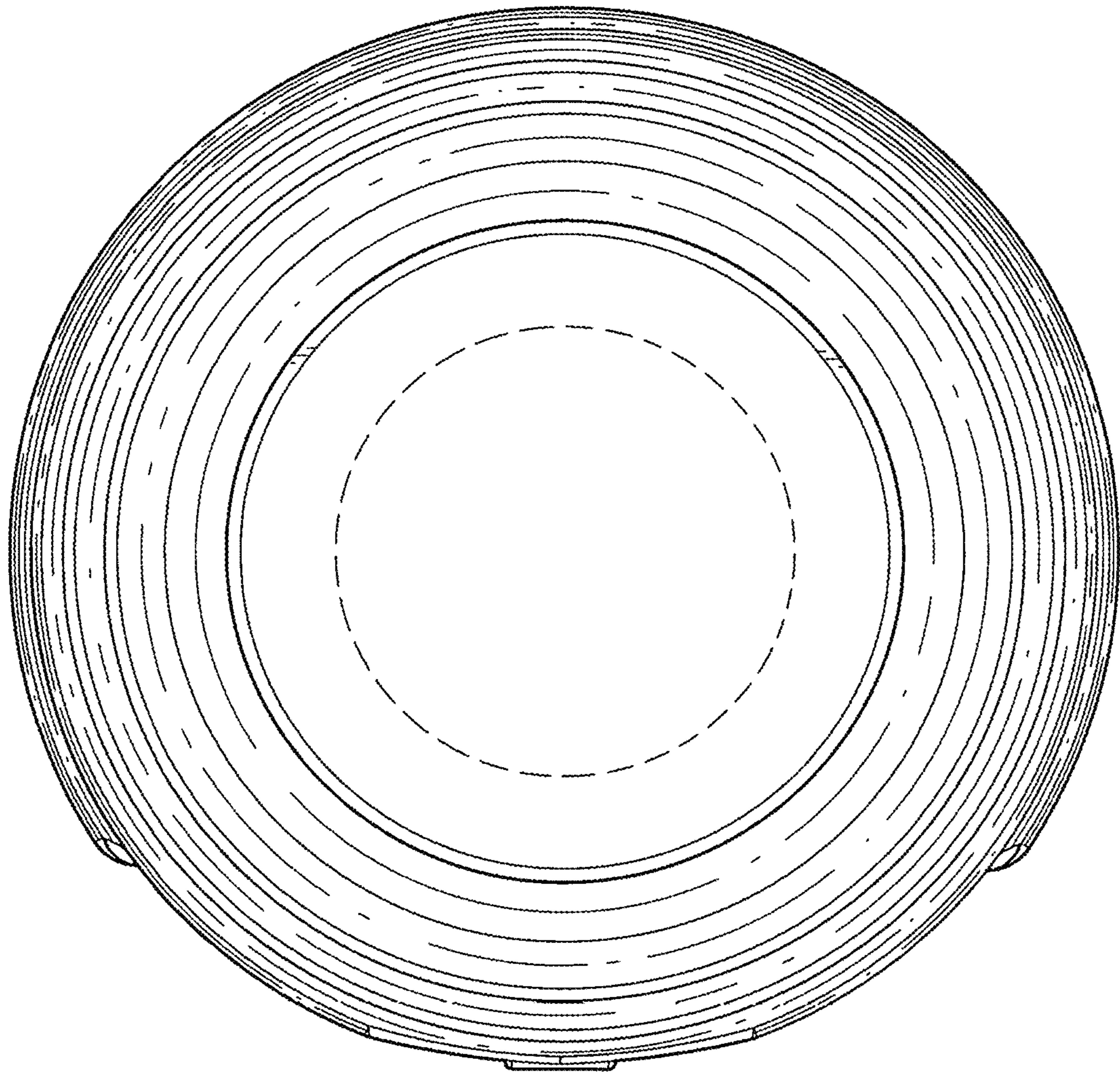


FIG. 5

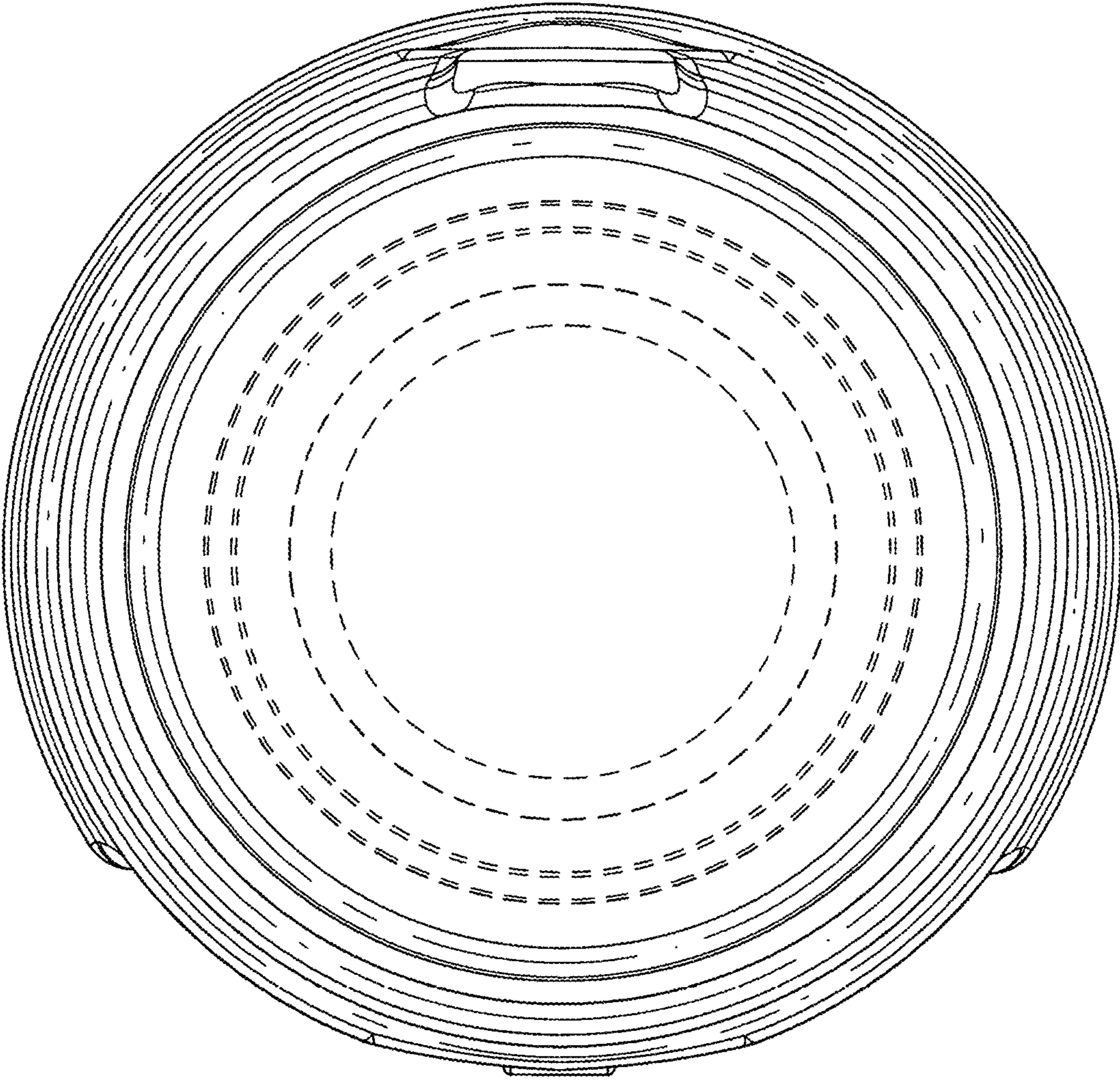


FIG. 6