



US00D778658S

(12) **United States Design Patent** (10) **Patent No.:** **US D778,658 S**  
**Kalvachev et al.** (45) **Date of Patent:** **\*\* Feb. 14, 2017**

- (54) **SCULPTED CHAIR ARM SET**
- (71) Applicant: **EZ AS A DRINK PRODUCTIONS, INC.,** Reno, NV (US)
- (72) Inventors: **Viktor Kalvachev,** Sofia (BG); **Angel Petkov,** Sofia (BG)
- (73) Assignee: **EZ AS A DRINK PRODUCTIONS, INC.,** Reno, NV (US)
- (\*\*) Term: **14 Years**
- (21) Appl. No.: **29/513,417**
- (22) Filed: **Dec. 30, 2014**
- (51) **LOC (10) Cl.** ..... **06-04**
- (52) **U.S. Cl.**  
USPC ..... **D6/716.2**
- (58) **Field of Classification Search**  
USPC ..... D6/334–36, 364–67, 374, 376, 379, 380,  
D6/716, 716.1–716.4; 297/411.2, 411.27,  
297/411.35, 411.36, 411.37, 463.1  
See application file for complete search history.

- (56) **References Cited**  
U.S. PATENT DOCUMENTS
- |              |         |               |       |          |
|--------------|---------|---------------|-------|----------|
| D299,799 S * | 2/1989  | Muller-Deisig | ..... | D6/716.3 |
| D366,792 S * | 2/1996  | McDiarmid     | ..... | D6/716.3 |
| D369,706 S * | 5/1996  | Olson         | ..... | D6/716.3 |
| D373,274 S * | 9/1996  | James         | ..... | D6/716.2 |
| D382,737 S * | 8/1997  | Pimental      | ..... | D6/716.3 |
| D382,738 S * | 8/1997  | Chen          | ..... | D6/716.3 |
| D383,931 S * | 9/1997  | Schultz       | ..... | D6/716.3 |
| D388,269 S * | 12/1997 | Tedesco       | ..... | D6/366   |
| D388,270 S * | 12/1997 | Schultz       | ..... | D6/716.3 |
| D390,386 S * | 2/1998  | Schultz       | ..... | D6/716.3 |

- D400,031 S \* 10/1998 Congleton ..... D6/716.2
  - D435,747 S \* 1/2001 Ho-Tsai ..... D6/366
  - D438,732 S \* 3/2001 Goodworth ..... D6/366
- (Continued)

**OTHER PUBLICATIONS**

Soft and Comfortable Office Chairs, posted on decoraciondeoficina.com, no posted date given, no production date given, [online], [site visited on Sep. 19, 2016], Available from Internet, <URL: http://decoraciondeoficina.com/suaves-y-comodas-sillas-de-oficina/>.\*

(Continued)

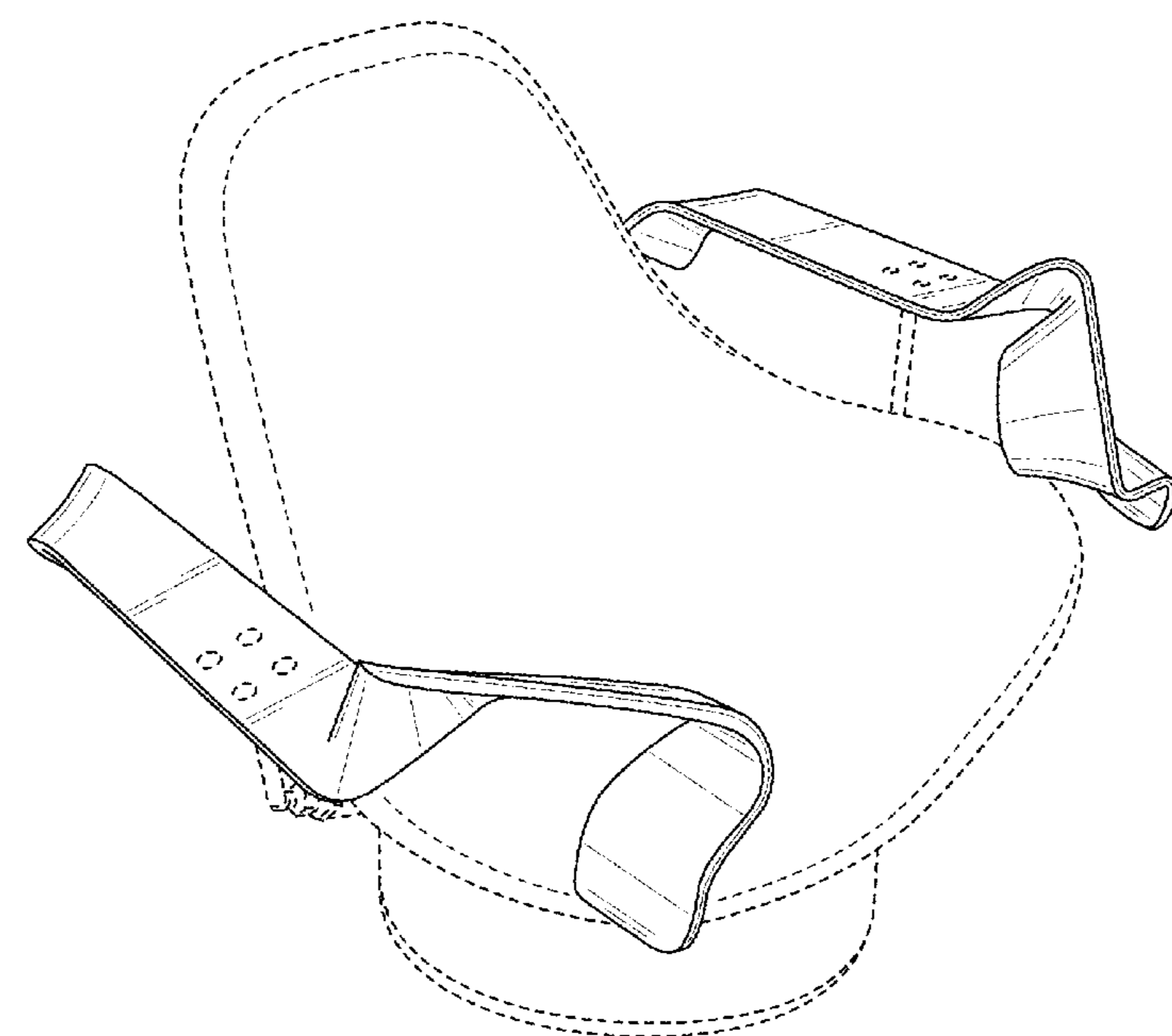
*Primary Examiner* — Eric Goodman  
*Assistant Examiner* — Fritzgerald Butac  
(74) *Attorney, Agent, or Firm* — Pillsbury Winthrop Shaw Pittman LLP

(57) **CLAIM**  
The ornamental design for a sculpted chair arm set, as shown and described.

**DESCRIPTION**

FIG. 1 is a perspective view of the sculpted chair arm set; FIG. 2 is a front-side view of the sculpted chair arm set; FIG. 3 is a back-side view of the sculpted chair arm set; FIG. 4 is a left-side view of the sculpted chair arm set; FIG. 5 is a right-side view of the sculpted chair arm set; FIG. 6 is a top-side view of the sculpted chair arm set; FIG. 7 is a bottom-side view of the sculpted chair arm set; and, FIG. 8 is a perspective view on the sculpted chair arm set shown with a chair to provide context. The broken lines shown are for the purpose of illustrating environmental subject matter and form no part of the claimed design.

**1 Claim, 8 Drawing Sheets**



(56)

**References Cited**

## U.S. PATENT DOCUMENTS

D439,081 S \* 3/2001 Goodworth ..... D6/366  
D454,270 S \* 3/2002 Schultz ..... D6/366  
D467,103 S \* 12/2002 Koepke ..... D6/366  
D476,513 S \* 7/2003 Lee ..... D6/366  
D479,929 S \* 9/2003 Koepke ..... D6/366  
D494,392 S \* 8/2004 Wan-Chen ..... D6/366  
D500,614 S \* 1/2005 Chen ..... D6/366  
D538,084 S \* 3/2007 Mazzera ..... D6/366  
D543,388 S \* 5/2007 Machael ..... D6/366  
D543,390 S \* 5/2007 Grove ..... D6/366  
D543,391 S \* 5/2007 Smith ..... D6/366  
D557,953 S \* 12/2007 Mazzera ..... D6/366  
D568,074 S \* 5/2008 Koepke ..... D6/366  
D602,287 S \* 10/2009 Grove ..... D6/716.3  
D608,571 S \* 1/2010 Mezzera ..... D6/366  
2004/0227388 A1 \* 11/2004 Wang ..... A47C 1/03  
297/411.35

## OTHER PUBLICATIONS

Silla Hanna, posted on dicoro.com, earliest reviewed date Feb. 22, 2016, no production date given, [online], [site visited Sep. 19, 2016], Available from Internet, <URL: <http://www.dicoro.com/oficina/sillas-y-sillones-de-oficina/giratorias-baratas.html>>.\*

Silla de escritorio silla juvenil tapizado 3D, posted on amazon.es, earliest availability date Dec. 11, 2013, no production date given, [online], [site visited on Sep. 19, 2016], Available from Internet, <URL: <https://www.amazon.es/Silla-escritorio-silla-juvenil-tapizado/dp/B00H8NM348>>.\*

\* cited by examiner

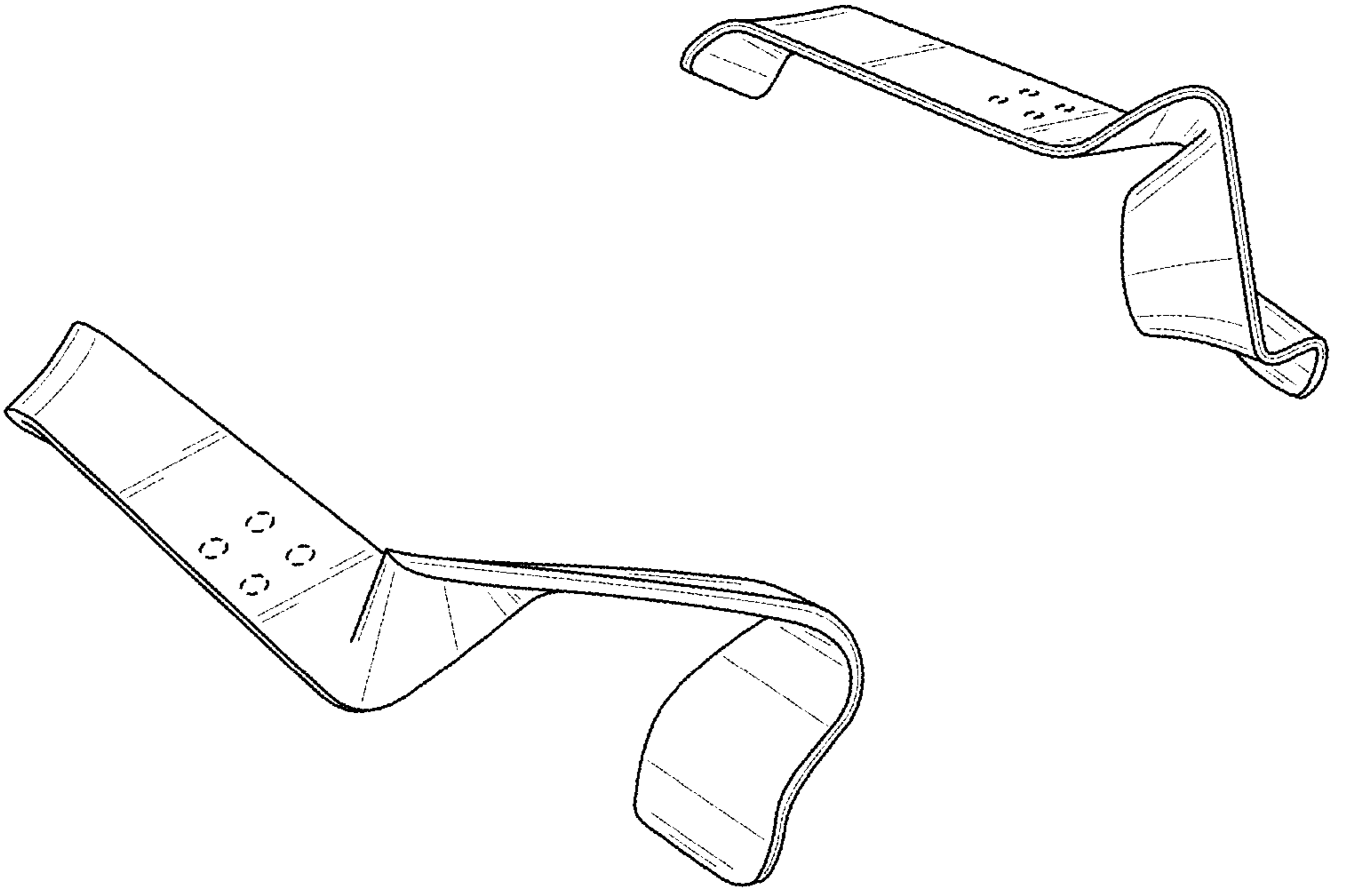


FIG. 1

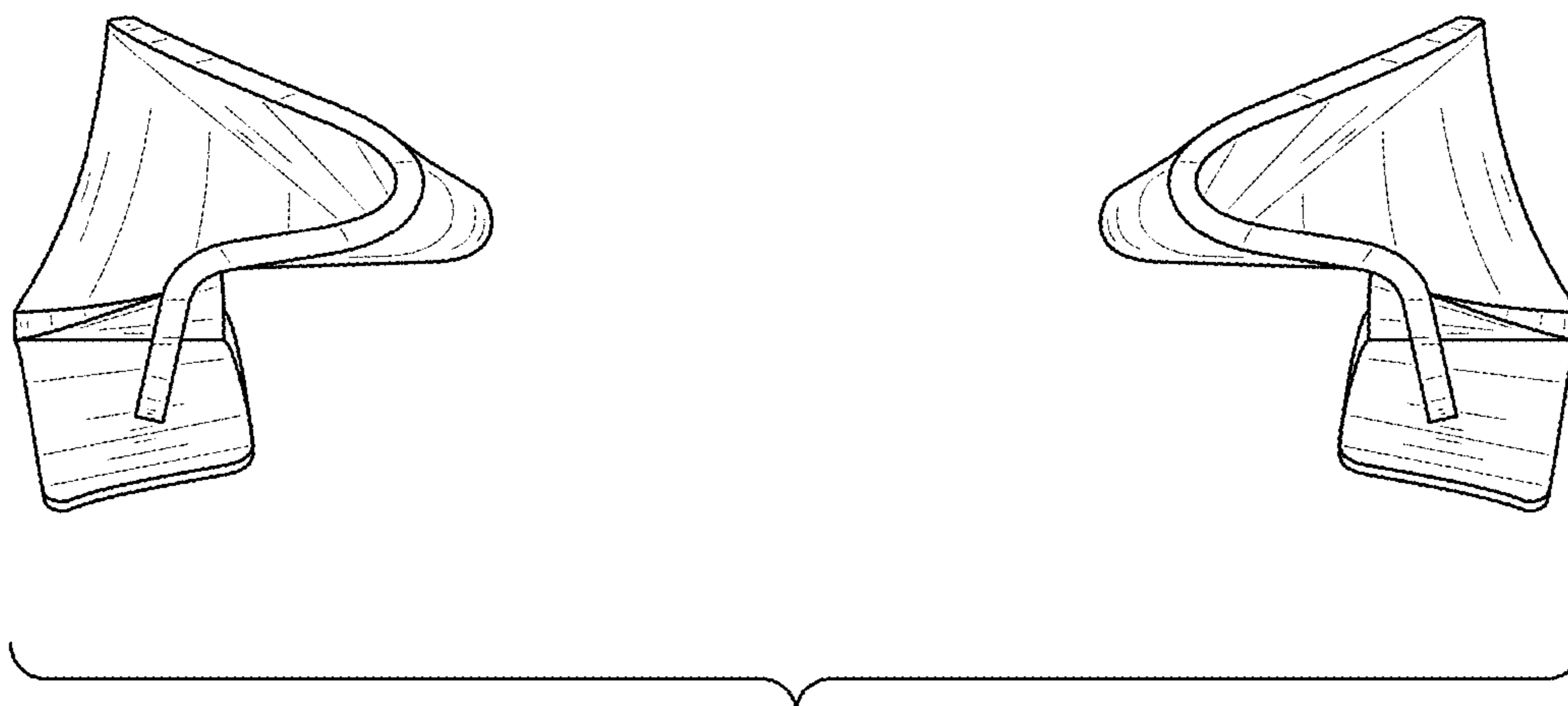


FIG. 2

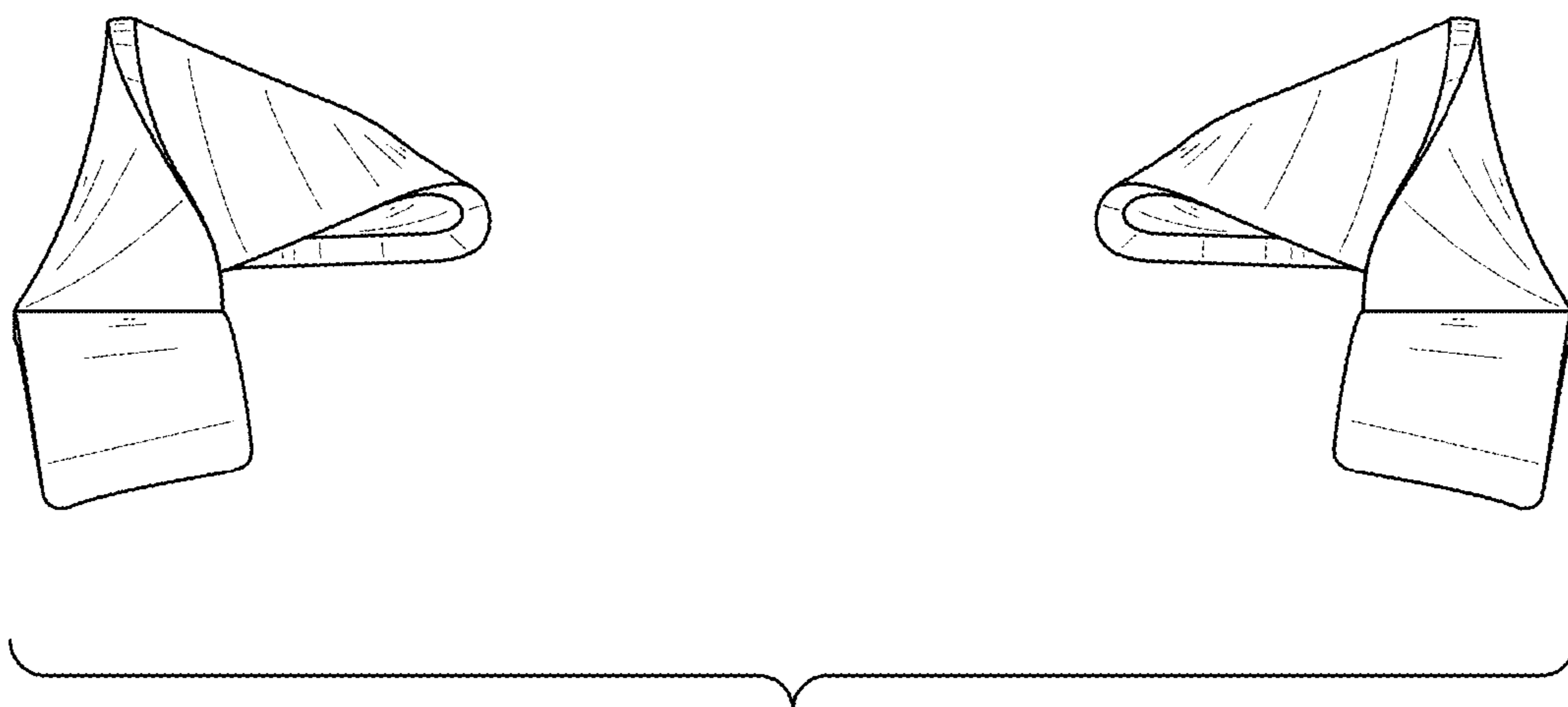


FIG. 3

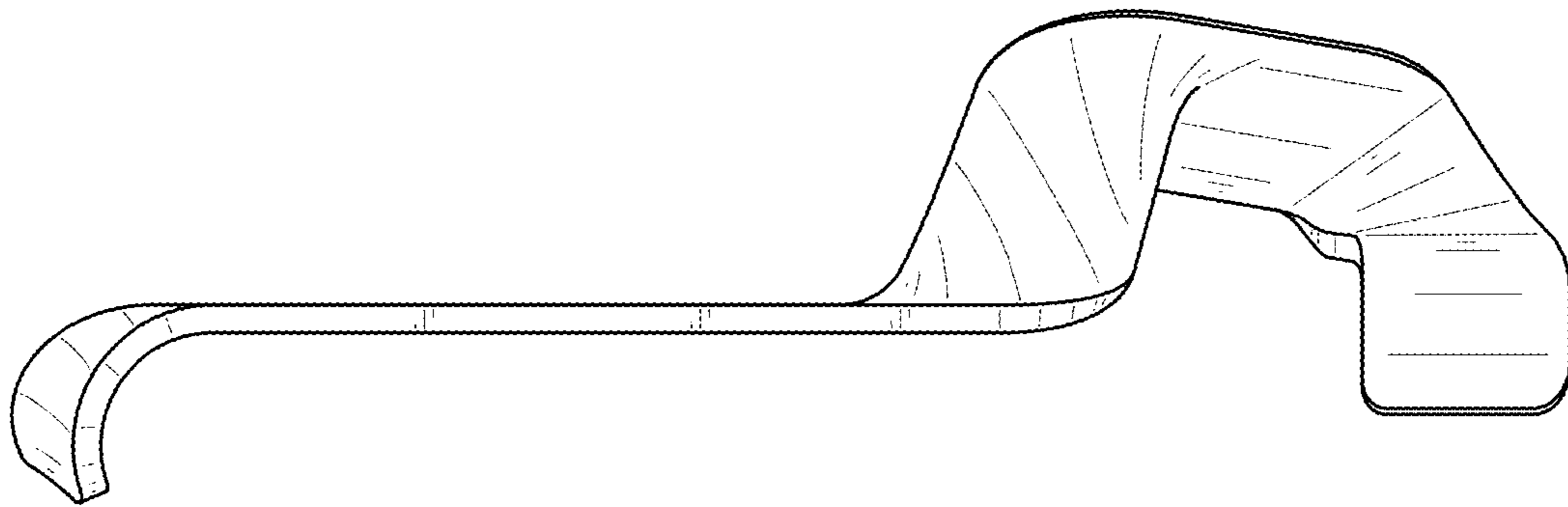


FIG. 4

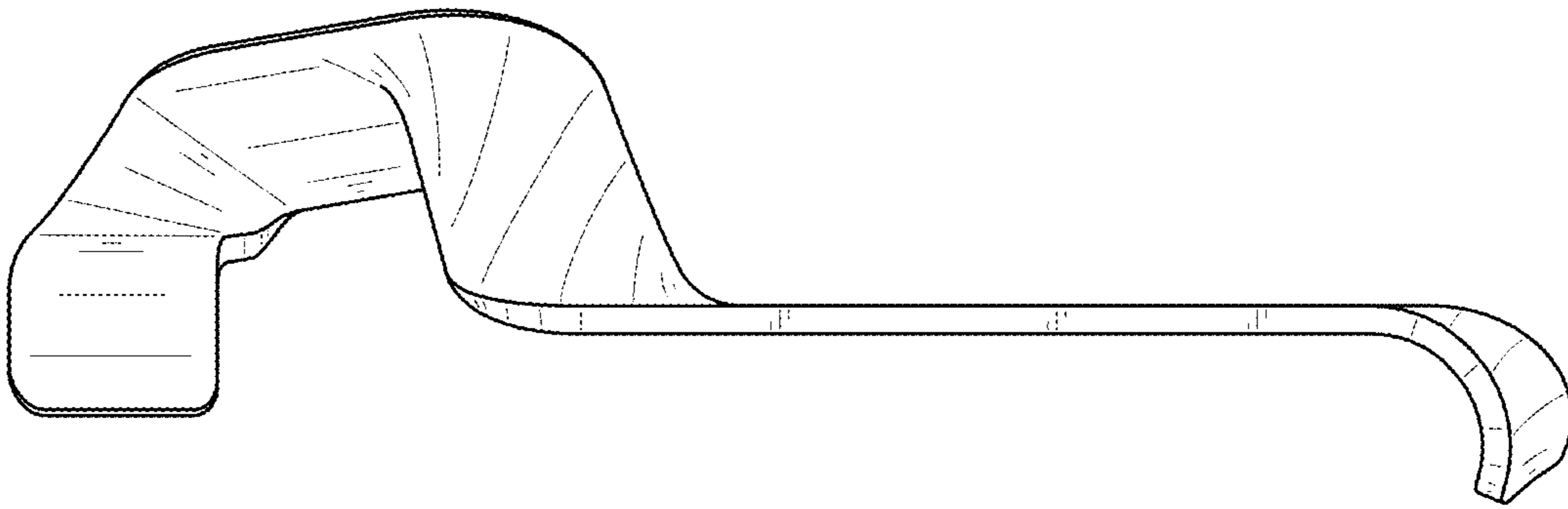


FIG. 5

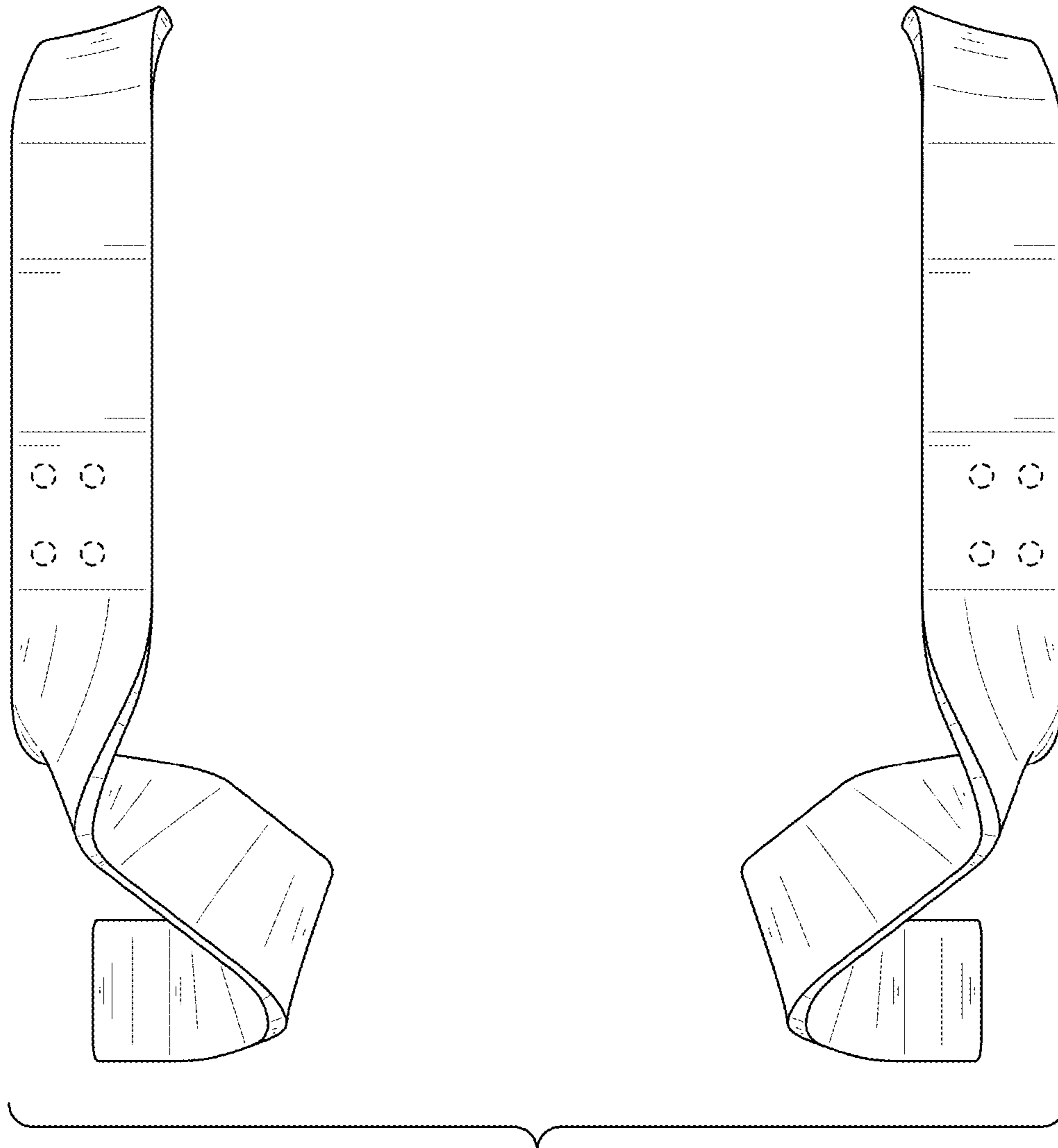


FIG. 6



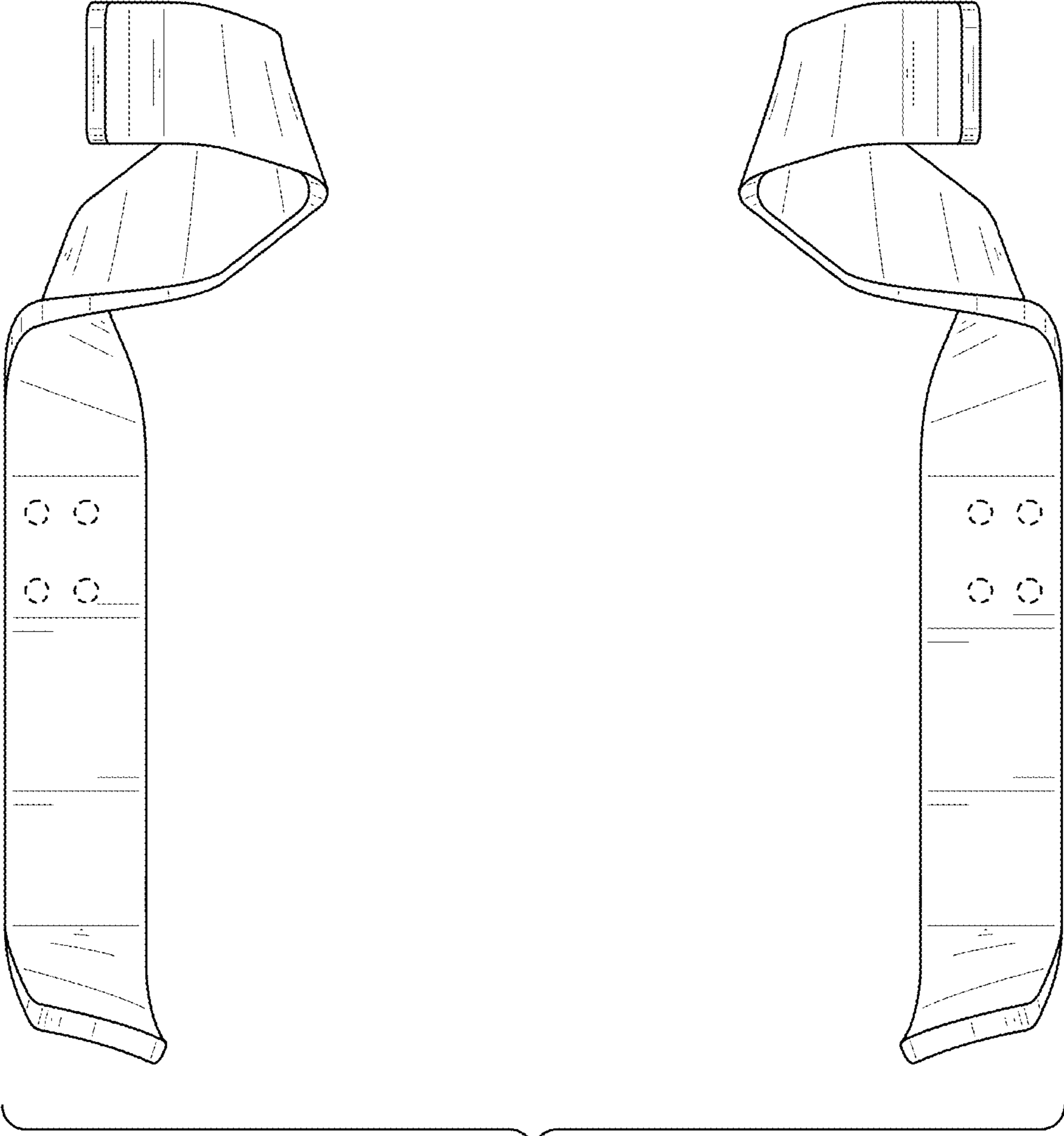


FIG. 7

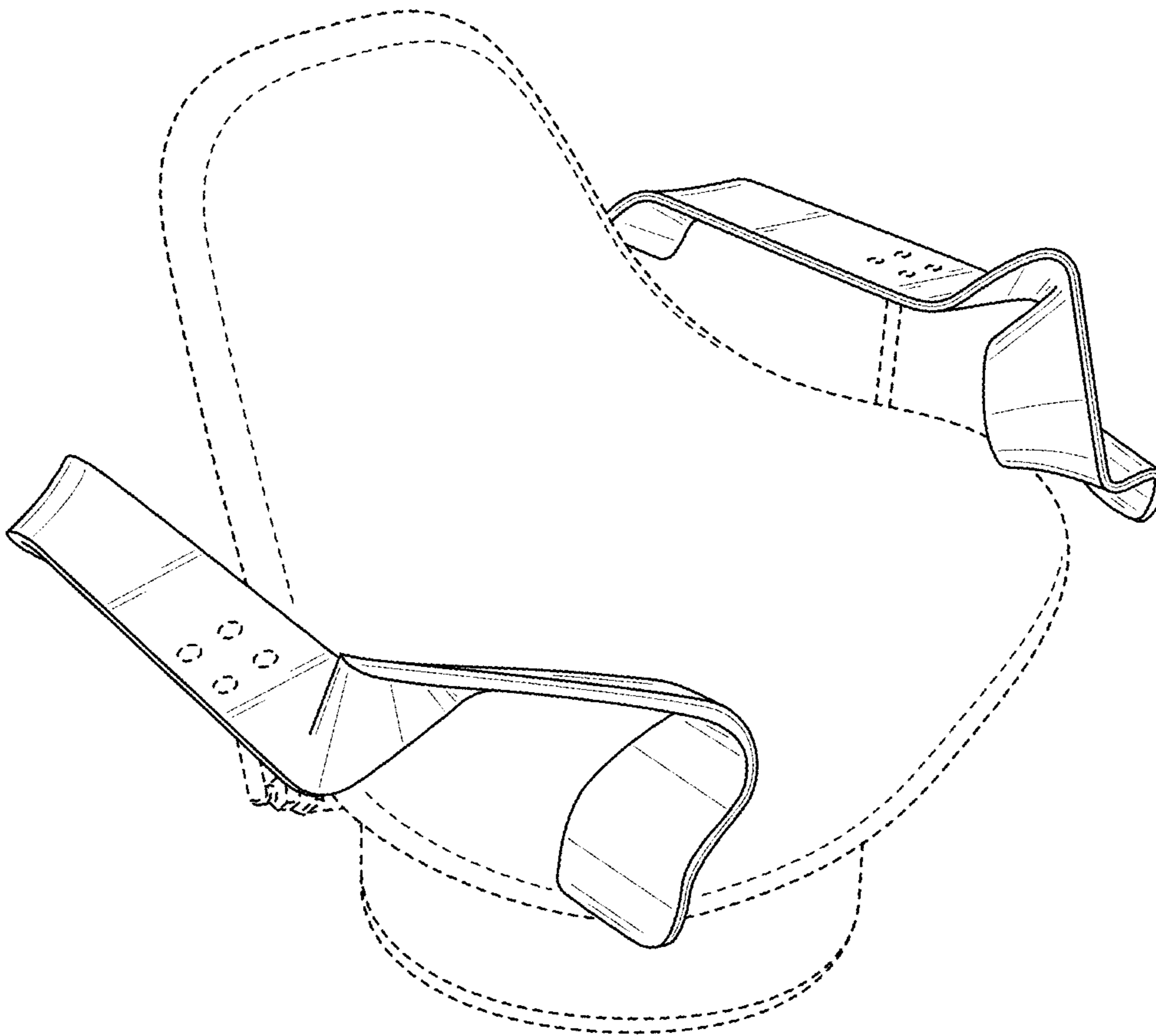


FIG. 8