



US00D778654S

(12) **United States Design Patent** (10) **Patent No.:** **US D778,654 S**  
**Gfesser et al.** (45) **Date of Patent:** **\*\* Feb. 14, 2017**

(54) **CHAIR BASE**

(71) Applicant: **Trendler Inc.**, Chicago, IL (US)

(72) Inventors: **Martin F. Gfesser**, Glen Ellyn, IL (US); **Stefan A. Gfesser**, Schaumburg, IL (US)

(73) Assignee: **TRENDLER, INC.**, Chicago, IL (US)

(\*\*) Term: **14 Years**

(21) Appl. No.: **29/504,601**

(22) Filed: **Oct. 7, 2014**

(51) **LOC (10) Cl.** ..... **06-06**

(52) **U.S. Cl.**  
USPC ..... **D6/708**

(58) **Field of Classification Search**  
USPC ..... D6/334-336, 349, 351, 352, 358, 360, D6/364, 365, 366, 374, 375, 379, 380, D6/657, 662, 662.1, 672, 674, 675, 675.1, D6/675.3, 683, 683.1, 685, 691, 691.5, D6/702, 708, 708.2, 708.21, 708.25, 716, D6/716.1-716.4; D3/304, 307, 309; D7/550.1, 554.3

CPC ..... B65D 5/545; B65D 5/26; B65D 5/0015; B65D 5/0045; B65D 1/34; B65D 21/00; B65D 81/3813; A47B 7/00; A47B 2200/001; A47B 2200/002; A47B 2200/0011-2200/0014; A47B 2200/0021-2200/0023; A47B 2200/0026; A47B 2200/0027; A47B 2200/0039; A47B 13/02; A47B 13/021-13/028; A47B 2009/006; A47B 57/402; A47B 67/00; A47B 87/0207; A47B 43/00; A47B 63/00; A47B 96/00; A47B 96/02; A47F 1/00; A47F 3/00; A47F 3/06; A47F 3/14; A47F 7/00; A47D 7/00; A47C 9/002; A47C 9/007; A47C 7/00; A47C 7/002; A47C 7/004; A47C 7/006;

(Continued)

(56) **References Cited**

U.S. PATENT DOCUMENTS

72,635 A \* 12/1867 Heywood ..... A47C 7/004 248/188.7  
275,384 A \* 4/1883 Howe ..... A47C 3/18 248/188.7

(Continued)

OTHER PUBLICATIONS

“Steel Frame Black Upholstery 25-inch Counter Stool” Jun. 7, 2014, Overstock.com, site visited Sep. 16, 2016 <<https://www.overstock.com/Home-Garden/Steel-Frame-Black-Upholstery-25-inch-Counter-Stool/9052697/product.html?refccid=JKSDQPWF3HV24GKGDAV5PHVAWA&searchidx=2&TID=SN:ALT:IMAGE#reviews>>.\*

*Primary Examiner* — Kevin Rudzinski

*Assistant Examiner* — Paul Bohannon

(74) *Attorney, Agent, or Firm* — Erickson Law Group, PC

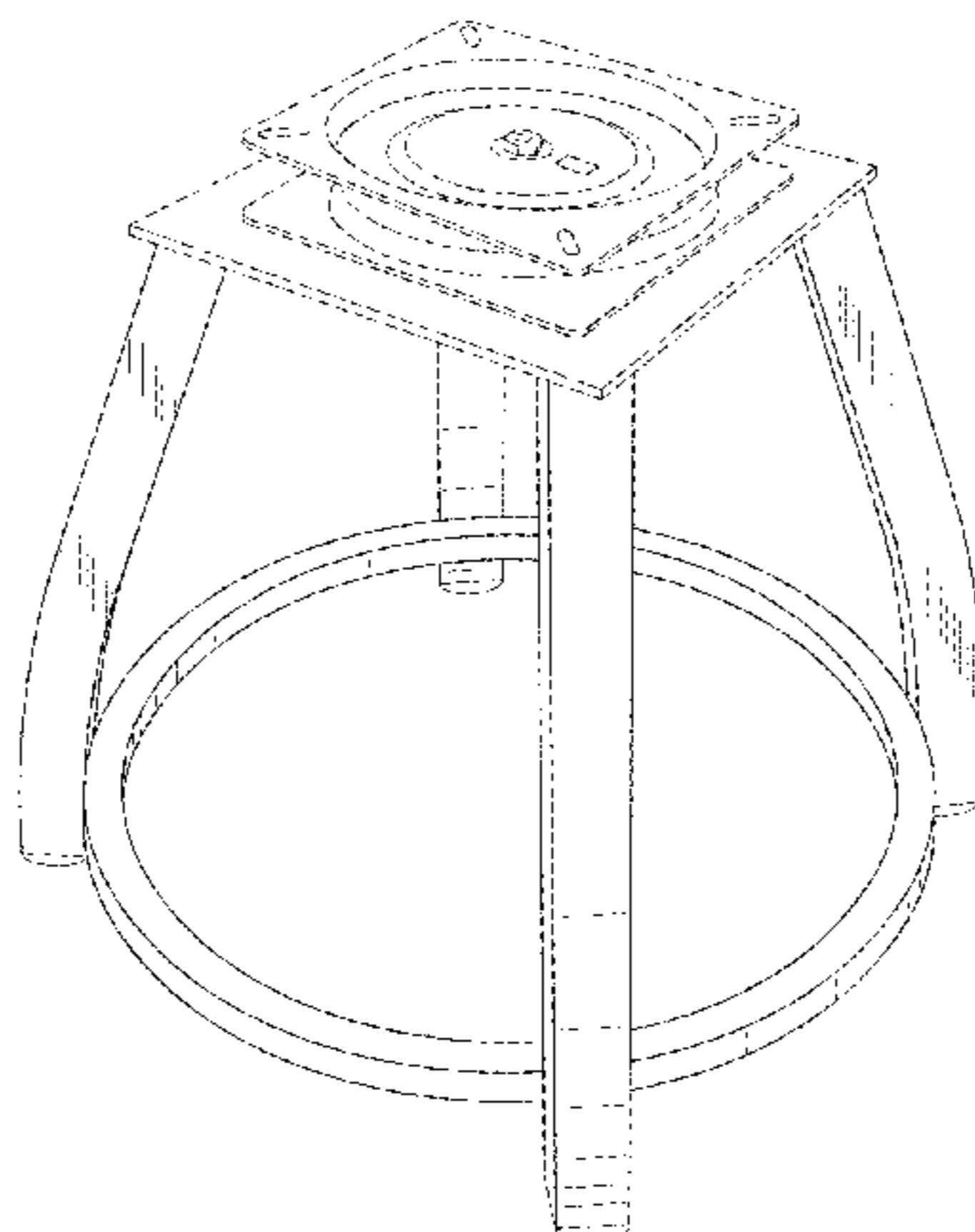
(57) **CLAIM**

The ornamental design for a chair base, as shown and described.

**DESCRIPTION**

FIG. 1 is a perspective view of a chair base of the invention. FIG. 2 is a right side view of the chair base of FIG. 1. FIG. 3 is a top view of the chair base of FIG. 1. FIG. 4 is a bottom view of the chair base of FIG. 1. FIG. 5 is a front view of a chair with the chair base of FIG. 1 and a seat shown in broken lines. FIG. 6 is a right side view of the chair of FIG. 5 with a human person shown sitting in the chair with that person's feet on a ground. FIG. 7 is a left side view of the chair of FIG. 5. FIG. 8 is a rear view of the chair of FIG. 5; and, FIG. 9 is a bottom view of the chair of FIG. 5. The broken line showing of the chair base is for the purpose of illustrating portions of the article and forms no part of the claim. The broken line showing of a seat, person, and ground

(Continued)



are for the purpose of illustrating environmental structure and forms no part of the claimed design.

**1 Claim, 9 Drawing Sheets**

(58) **Field of Classification Search**

CPC ..... A47C 7/18; A47C 7/022; A47C 7/24;  
A47C 7/50; A47C 4/02; A47C  
4/028; A47C 4/54; A47C 3/00; A47C  
3/18; A47C 3/026; A47C 1/04; A47C  
1/03255; A47C 1/0255

See application file for complete search history.

(56)

**References Cited**

U.S. PATENT DOCUMENTS

300,921 A \* 6/1884 Walter ..... A47C 3/18  
297/311

2,468,379 A \* 4/1949 Smith ..... A47C 3/18  
248/417  
D427,812 S \* 7/2000 Donnelly ..... D6/349  
D447,365 S \* 9/2001 Chi ..... D6/708  
D451,711 S \* 12/2001 O'Hare ..... D6/708  
6,749,265 B1 \* 6/2004 Wang ..... A47C 5/04  
248/188.1  
D530,944 S \* 10/2006 Samuel ..... D6/708  
D579,676 S \* 11/2008 Rheault ..... D6/349  
D713,157 S \* 9/2014 Carrier ..... D6/349  
D719,749 S \* 12/2014 Hernandez ..... D6/349  
9,254,041 B2 \* 2/2016 Kessler ..... A47C 7/004  
2008/0001462 A1 \* 1/2008 Holland ..... A47B 13/023  
297/440.1  
2011/0316313 A1 \* 12/2011 Gasser ..... A47C 7/002  
297/188.01  
2012/0100971 A1 \* 4/2012 Chiu ..... A63B 21/015  
482/139

\* cited by examiner

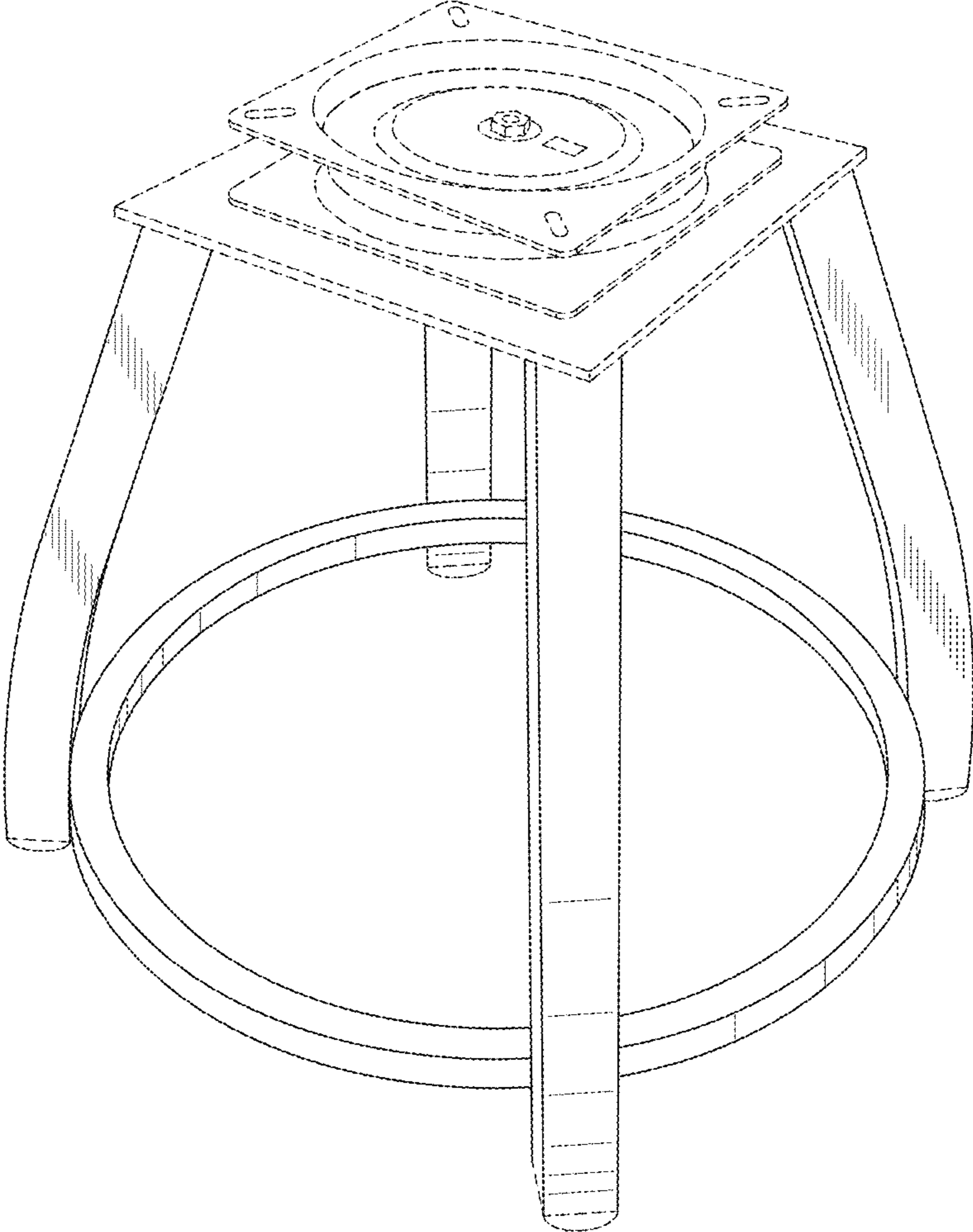


Fig. 1

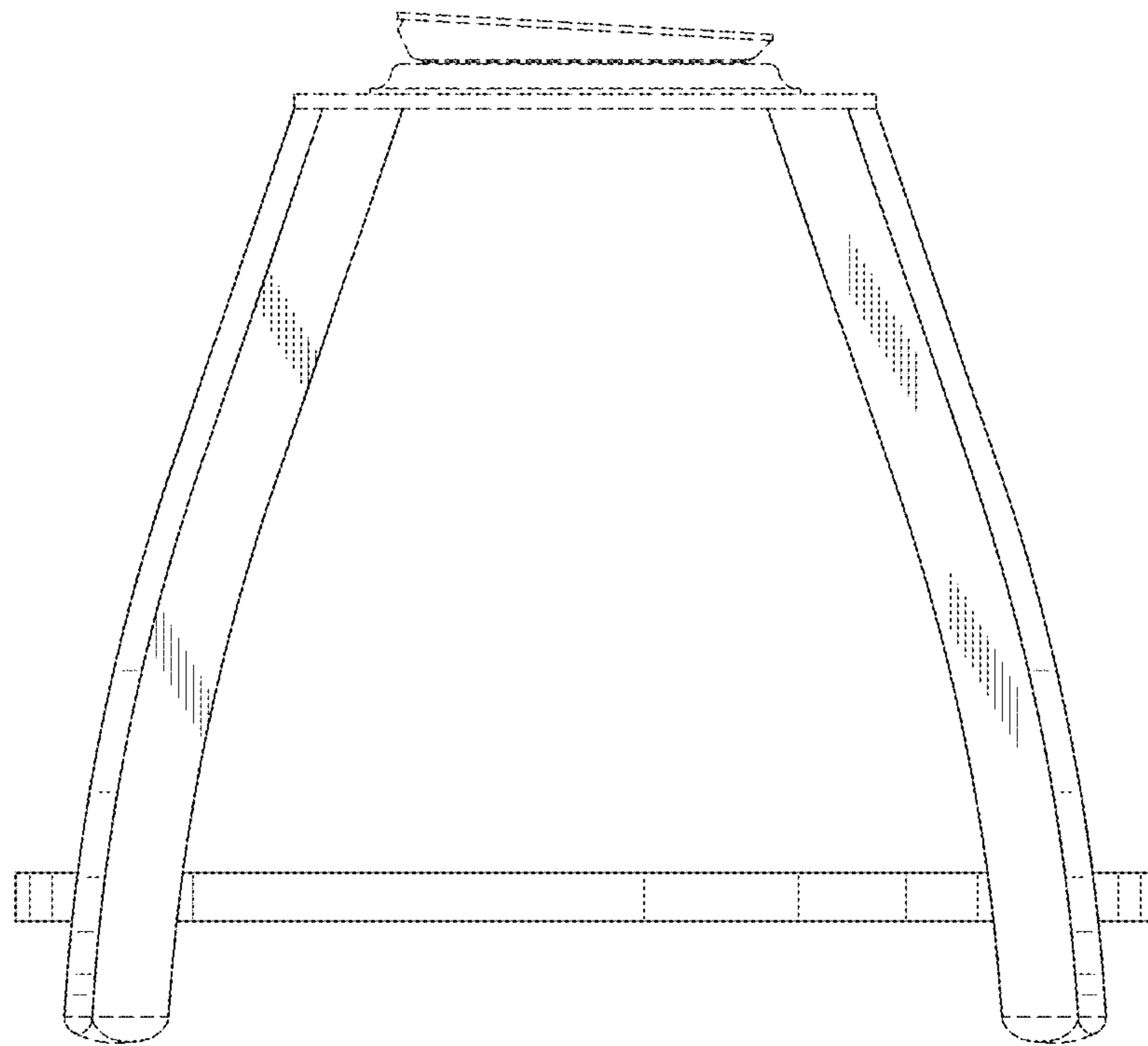


Fig. 2

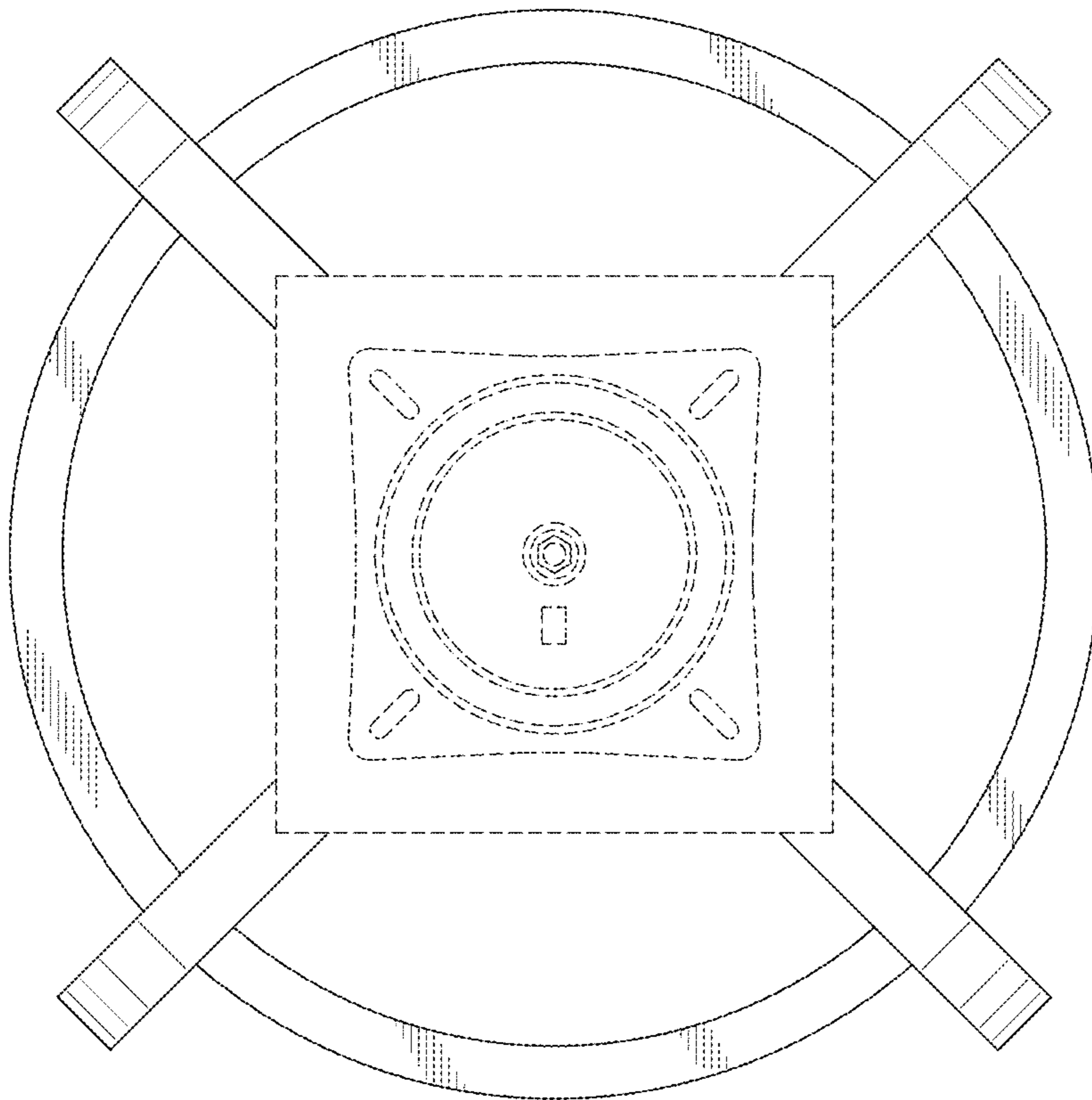


Fig. 3

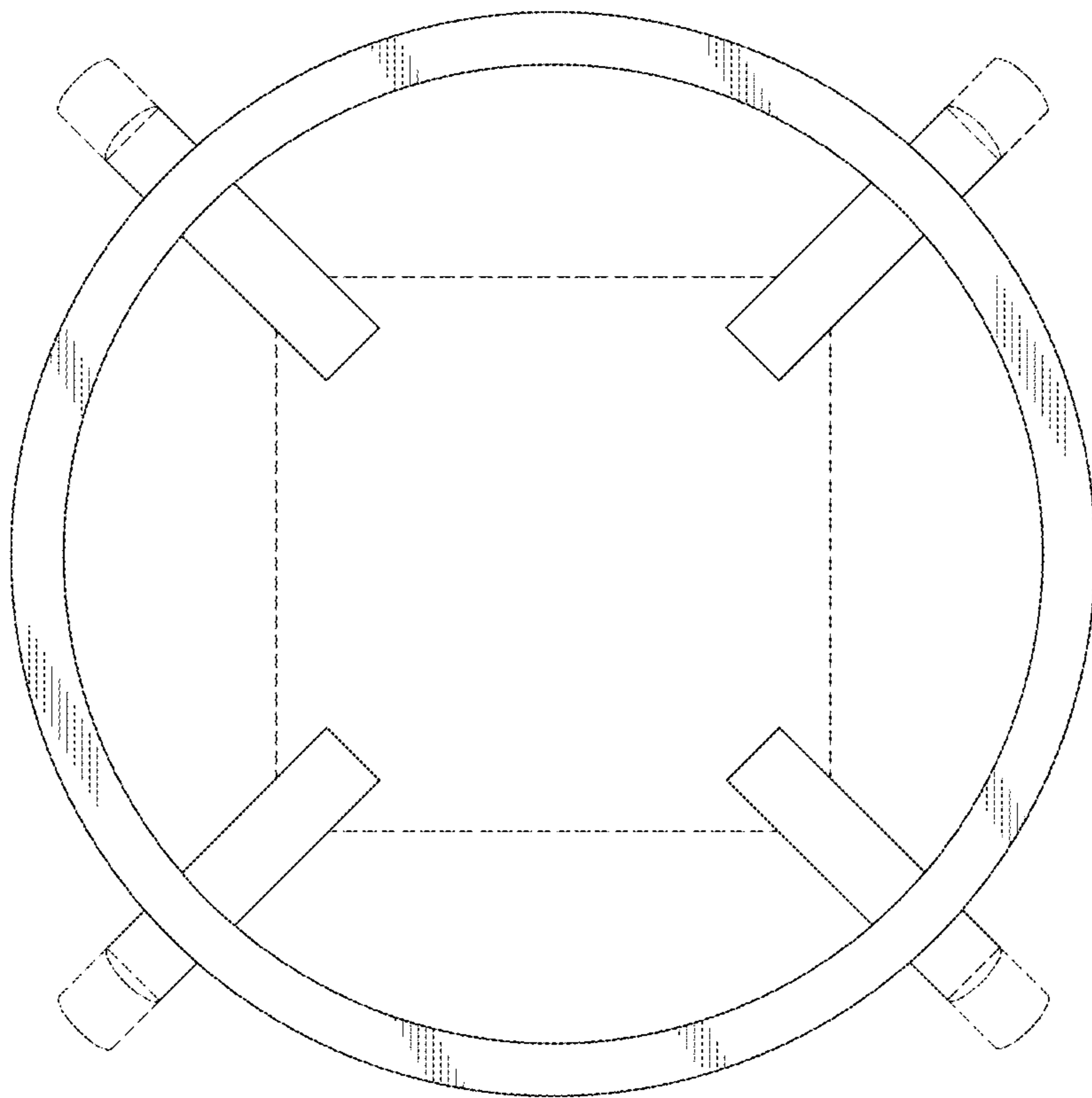


Fig. 4

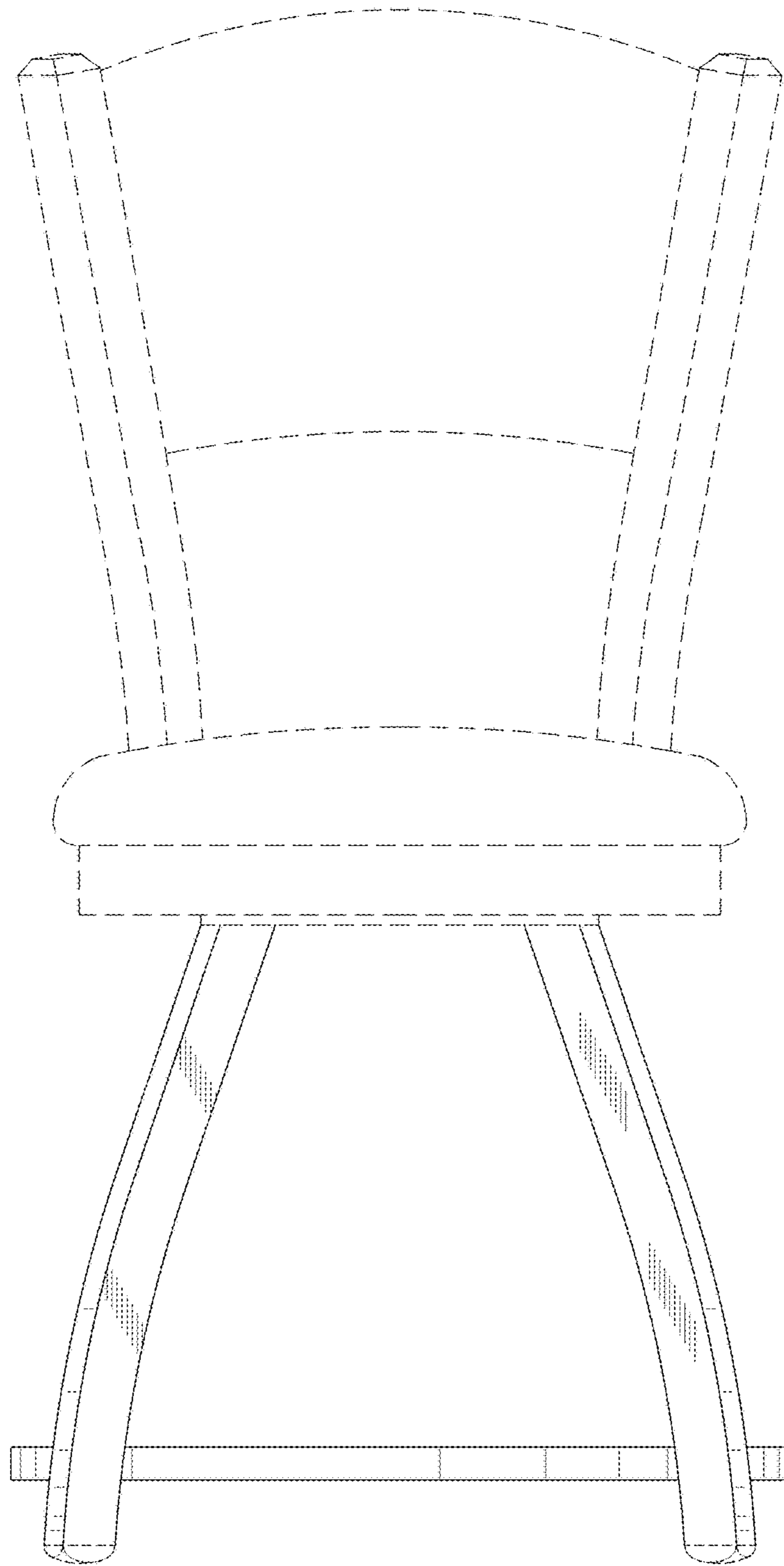


Fig. 5

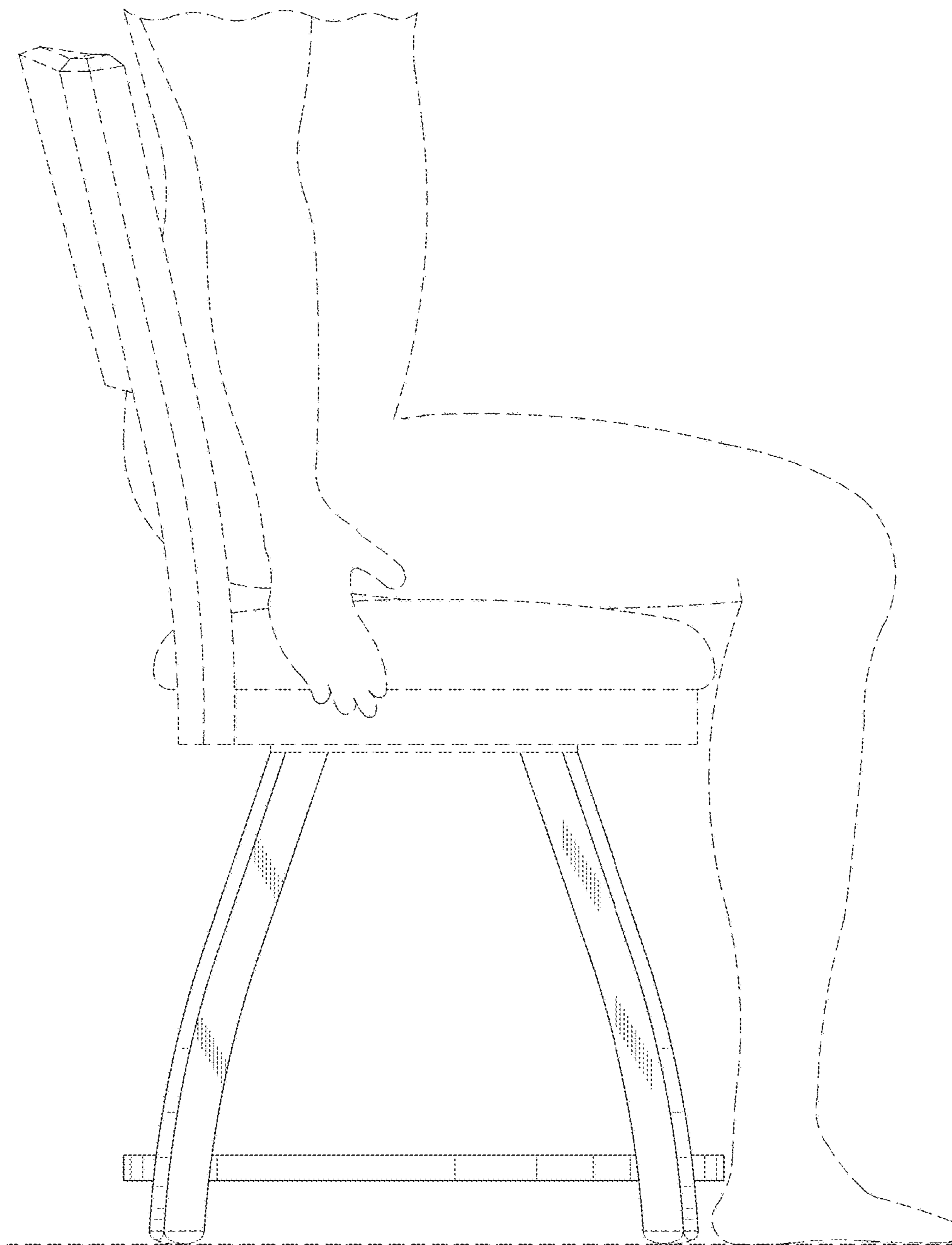


Fig. 6



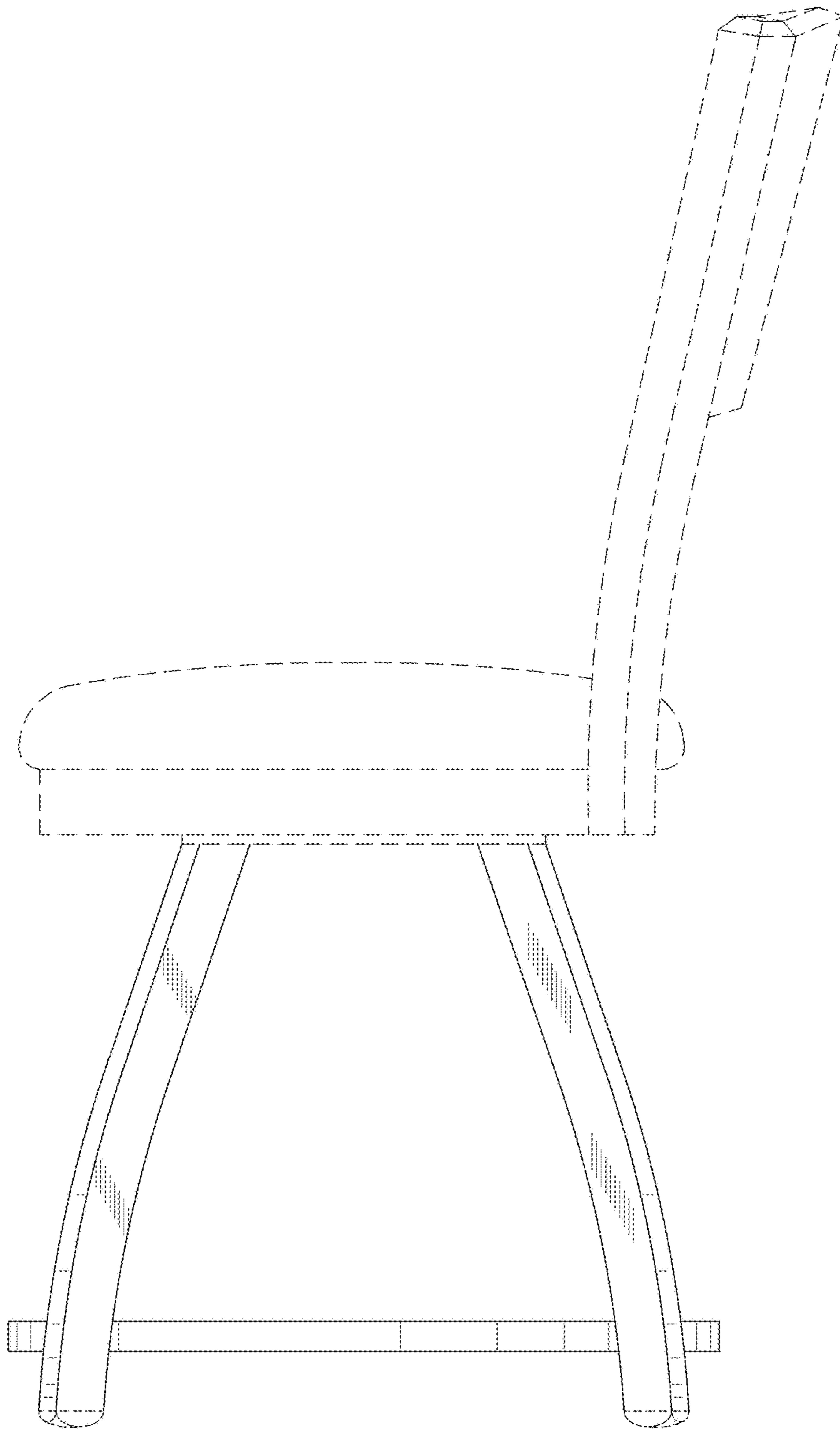


Fig. 7

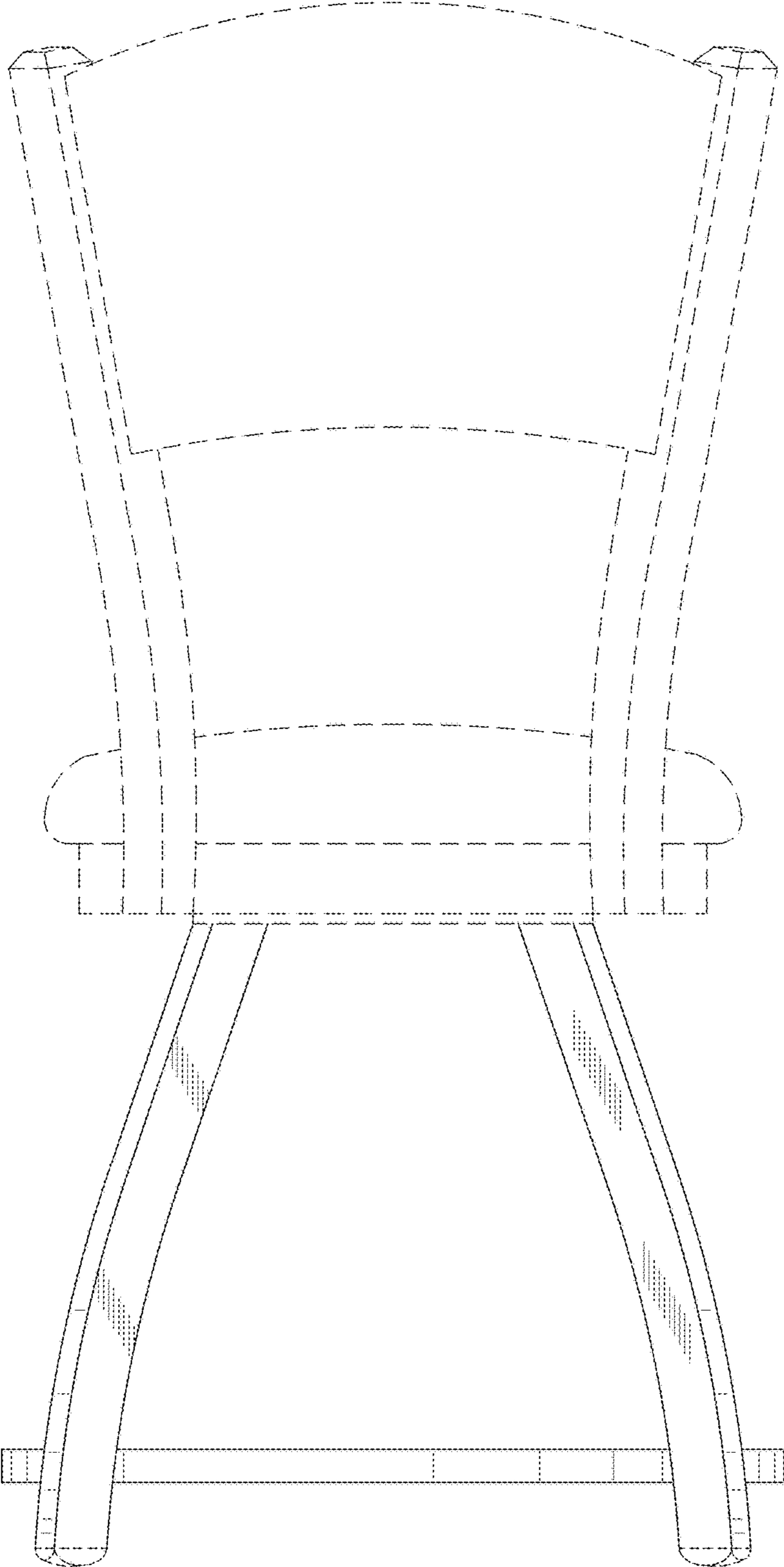


Fig. 8

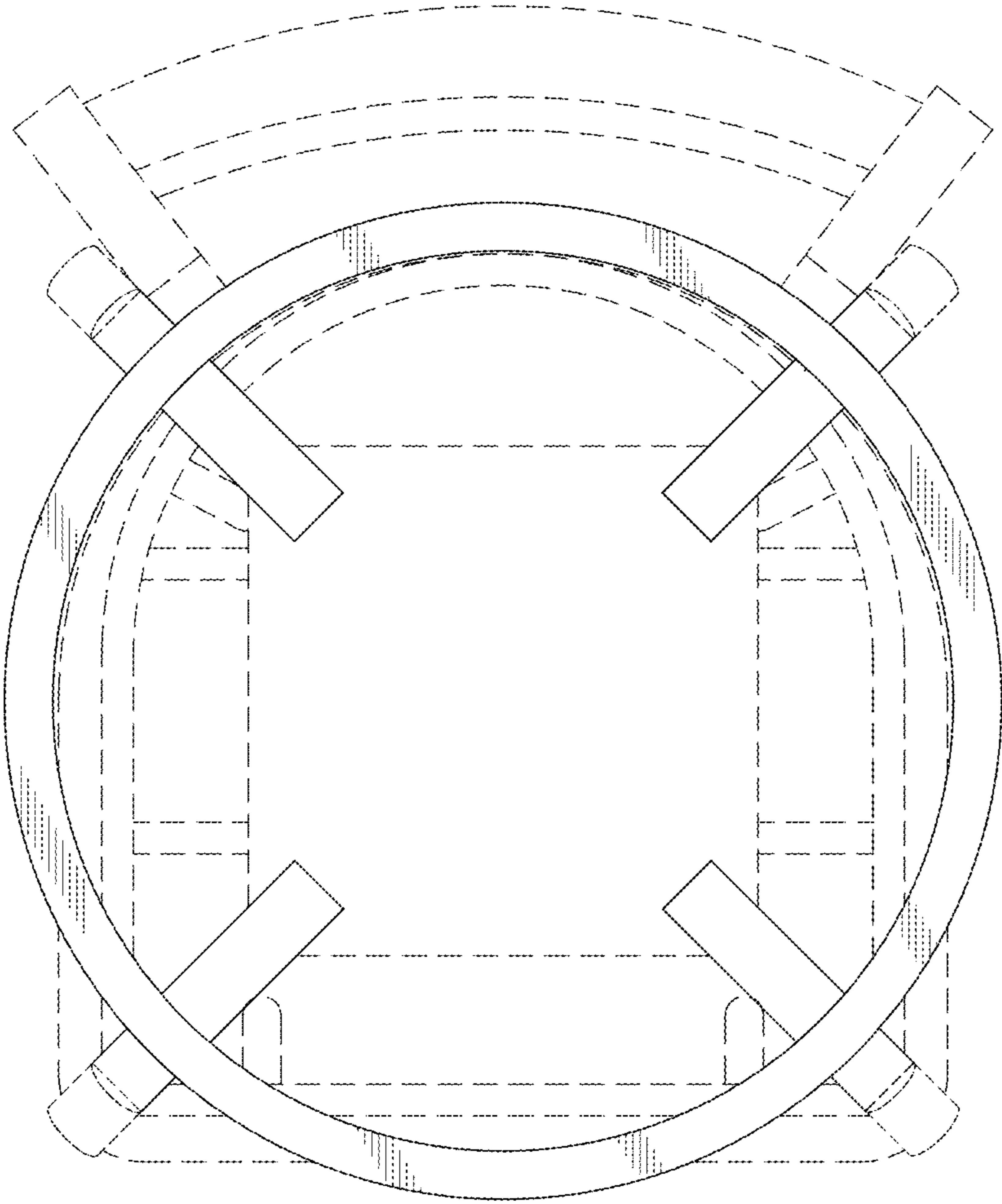


Fig. 9