



US00D778653S

(12) **United States Design Patent** (10) **Patent No.:** **US D778,653 S**
Spoelhof et al. (45) **Date of Patent:** **** Feb. 14, 2017**

(54) **TABLE TOP**
(71) Applicant: **STEELCASE, INC.**, Grand Rapids, MI (US)
(72) Inventors: **Mark William Spoelhof**, Grand Rapids, MI (US); **Mark McKenna**, East Grand Rapids, MI (US); **Russell T. Holdredge**, Alto, MI (US); **Sean M. Corcorran**, Grand Rapids, MI (US); **Pradeep Mydur**, Grand Rapids, MI (US)

1,489,982 A 4/1924 Dailey
1,502,353 A 7/1924 Simonson
1,548,334 A 8/1925 Sebell
1,611,003 A 2/1928 Miller
1,659,572 A 2/1928 Klemm
1,992,903 A 2/1935 Potashnik
D95,588 S 5/1935 Holsman
2,160,724 A 5/1939 Fletcher
2,266,854 A 12/1941 Davis
2,287,079 A 6/1942 Anderson
2,339,647 A 1/1944 Meyer

(Continued)

FOREIGN PATENT DOCUMENTS

(73) Assignee: **Steelcase Inc.**, Grand Rapids, MI (US)

FR 2952285 A1 5/2011
GB 2331237 A 5/1999

(**) Term: **14 Years**

(Continued)

(21) Appl. No.: **29/517,533**

Primary Examiner — Mary Ann Calabrese

(22) Filed: **Feb. 13, 2015**

(74) Attorney, Agent, or Firm — Quarles & Brady LLP

(51) **LOC (10) Cl.** **06-06**

(52) **U.S. Cl.**
USPC **D6/707.22**

(57) **CLAIM**

The ornamental design for a table top, as shown and described.

(58) **Field of Classification Search**
USPC ... D6/641, 686, 691, 696, 702, 707, 707.17, D6/707.19, 707.22, 406.3, 406.6; D7/554.3
CPC A47B 7/00; A47B 13/00; A47B 13/10; A47B 17/00; A47B 21/00; A47B 23/00; A47B 2200/00; A47B 2200/0001
See application file for complete search history.

DESCRIPTION

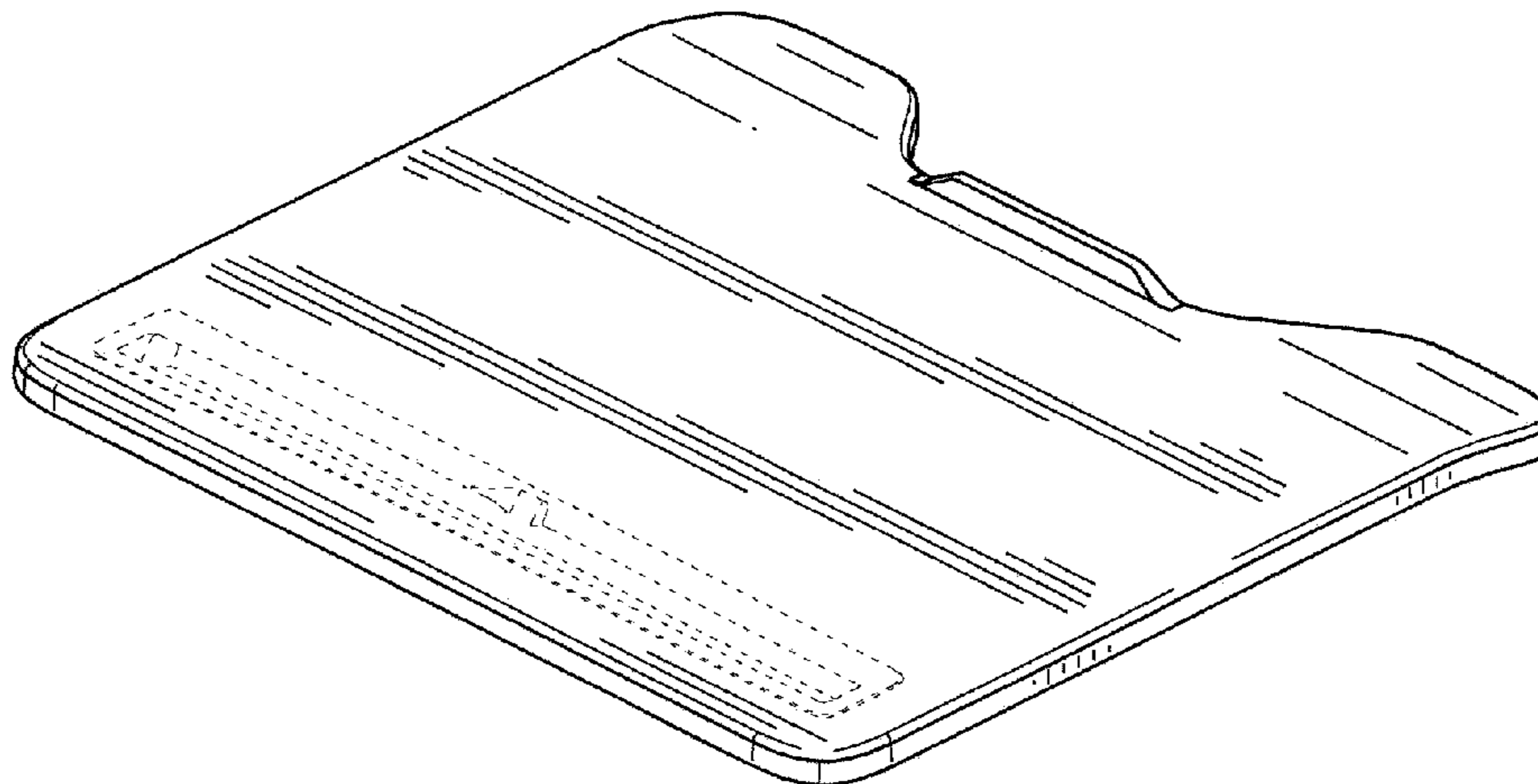
FIG. 1 is a top, right, front perspective view of a table top embodying our new design;
FIG. 2 is a top plan view thereof;
FIG. 3 is a left side elevational view thereof, the right side elevational view thereof being a mirror image of the left side shown;
FIG. 4 is a front elevational view thereof;
FIG. 5 is a rear elevational view thereof; and,
FIG. 6 is a bottom plan view thereof.
The broken line representations in the figures illustrate unclaimed environment, and thus form no part of the claimed design.
The nature of this product is a table top for a desk or table, for example, which may be mounted for use with a carrel.

(56) **References Cited**

U.S. PATENT DOCUMENTS

540,515 A 6/1895 Rowlett
817,969 A 4/1906 Galbraith
995,410 A 6/1911 McClure
1,007,498 A 10/1911 Spencer
1,094,812 A 4/1914 Reck
1,234,309 A 7/1917 Dubben
1,391,222 A 9/1921 Fleet

1 Claim, 3 Drawing Sheets



(56)

References Cited

U.S. PATENT DOCUMENTS

2,343,077 A	2/1944	Parrish	4,876,835 A	10/1989	Kelley	
2,636,224 A	4/1953	Murdoch	D304,529 S	11/1989	Hontz	
2,694,614 A	11/1954	Dent	4,914,873 A	4/1990	Newhouse	
D181,945 S	1/1958	Saarinén	4,974,808 A	12/1990	Ball	
D183,416 S	8/1958	Bellmann	4,979,554 A	12/1990	Nelson	
2,845,699 A	8/1958	Wwoodard	4,980,998 A	1/1991	Amstutz	
2,887,154 A	5/1959	Morningstar	4,986,038 A	1/1991	Backer	
2,942,924 A	6/1960	Stangert	RE33,593 E	5/1991	Herst et al.	
2,973,028 A	2/1961	Celeste	5,038,539 A	8/1991	Kelley	
2,981,576 A	4/1961	Robinson	5,048,585 A	9/1991	Miller	
2,981,583 A	4/1961	Eisenberg	D321,407 S	11/1991	Heidmann	
2,982,344 A	5/1961	Berlin	5,092,385 A	3/1992	Beaulieu	
2,989,112 A	6/1961	Sonnleitner	5,097,643 A	3/1992	Wittler	
3,013,642 A	12/1961	Hammitt	5,104,183 A	4/1992	Madsen	
3,027,214 A	3/1962	Curatolo	D330,638 S	11/1992	Moschini	
D193,889 S	10/1962	Buzzitta	5,169,210 A	12/1992	Fricano	
3,128,137 A	4/1964	Dokter	5,228,761 A	7/1993	Huebschen	
3,142,514 A	7/1964	Ginat	5,230,289 A	7/1993	George	
3,226,161 A	12/1965	Platner	5,238,300 A	8/1993	Slivon	
D205,939 S	10/1966	Laverne	5,246,240 A	9/1993	Romich	
3,281,185 A	10/1966	Albinson	5,277,512 A	1/1994	Dwillies	
3,295,283 A	1/1967	Griffith	5,333,928 A	8/1994	Rollinson	
3,326,147 A	6/1967	Toney	5,339,576 A	8/1994	Fussler	
D208,413 S	8/1967	Ball	D350,242 S	9/1994	Lohmeyer	
3,371,454 A	3/1968	Anderson	D351,294 S	10/1994	Fleishman	
D211,464 S	6/1968	Platner	5,368,359 A	11/1994	Eakin	
3,389,246 A	6/1968	Shemitz	D353,946 S	1/1995	Fischer et al.	
3,425,171 A	2/1969	Propst	5,377,598 A	1/1995	Kirchner	
3,441,310 A	4/1969	Gale	5,394,668 A	3/1995	Lim	
3,521,929 A	7/1970	Pearson	5,398,901 A	3/1995	Brodmann	
3,528,717 A	9/1970	Kinnebrew	D358,514 S	5/1995	Lovegrove	
D219,376 S	12/1970	Pearson	5,429,336 A	7/1995	Ko	
3,582,170 A	6/1971	Schaeffer	5,473,994 A	12/1995	Foley	
D226,648 S	4/1973	Sebel et al.	5,537,766 A	7/1996	Nickens	
D227,832 S	7/1973	Leaver	5,564,667 A	10/1996	Copeland	
3,744,868 A	7/1973	Reiter	5,577,818 A	11/1996	Sayre	
3,841,042 A	10/1974	Siegal	D382,122 S	8/1997	Thorp et al.	
D242,099 S	11/1976	Casey	5,653,499 A	8/1997	Goodall	
D242,100 S	11/1976	Casey	5,660,432 A	8/1997	Davis	
D246,082 S	10/1977	Friedrich	D385,423 S	10/1997	Shields	
4,097,918 A	6/1978	Anderson	5,683,064 A	11/1997	Copeland	
4,109,429 A	8/1978	Whisson	5,692,815 A *	12/1997	Murphy	G06F 3/0395 108/26
4,164,009 A	8/1979	Maguire, Jr.	D390,021 S	2/1998	Smith	
4,191,420 A	3/1980	Fassett	D392,114 S	3/1998	Thorp et al.	
4,226,190 A	10/1980	Ashton	5,727,841 A	3/1998	Morley	
D257,601 S	12/1980	Cyplik	5,765,315 A	6/1998	Nagamitsu	
D257,604 S	12/1980	Cyplik	5,816,649 A	10/1998	Shields	
4,307,672 A	12/1981	Shikimi	5,826,639 A	10/1998	Miller	
4,312,515 A	1/1982	Allori	5,826,941 A	10/1998	Olsen	
D264,402 S	5/1982	Yellen	D402,476 S	12/1998	Thorp et al.	
4,351,475 A	9/1982	Hudson	D406,228 S	3/1999	Vogels	
4,367,370 A	1/1983	Wilson	5,875,597 A	3/1999	Gingrich	
4,427,232 A	1/1984	Malm	D409,419 S	5/1999	Wilkinson	
4,448,003 A	5/1984	Hasbrouck	5,931,102 A	8/1999	Grahl	
4,616,798 A	10/1986	Smeenge	5,931,528 A	8/1999	Shields	
4,624,083 A	11/1986	Diffrient	5,947,034 A	9/1999	Belka	
D286,956 S	12/1986	Lockwood	5,967,600 A	10/1999	Jelacic	
4,631,881 A	12/1986	Charman	D415,901 S	11/1999	Arko et al.	
D288,506 S	3/1987	Ochsner	5,979,118 A	11/1999	Gortsema	
4,666,118 A	5/1987	Busche	6,000,560 A	12/1999	Barkan	
4,685,255 A	8/1987	Kelley	6,015,120 A	1/2000	Sweere	
4,687,167 A	8/1987	Skalka	D425,321 S	5/2000	Tholkes et al.	
4,712,336 A	12/1987	Backer	6,059,364 A	5/2000	Dryburgh	
4,715,154 A	12/1987	Baloga	6,086,034 A	7/2000	McAllister	
D293,981 S	2/1988	Ball	6,101,954 A	8/2000	Rein	
D296,731 S	7/1988	Hollington	6,102,476 A	8/2000	May	
4,761,922 A	8/1988	Black	6,142,559 A	11/2000	Sorel	
4,779,540 A	10/1988	Dion	6,145,926 A	11/2000	Lin	
4,795,355 A	1/1989	Dorn	6,170,786 B1	1/2001	Park	
4,826,245 A	5/1989	Entratter	D439,063 S	3/2001	Round et al.	
4,830,614 A	5/1989	Schricker	D439,425 S	3/2001	Park et al.	
4,835,915 A	6/1989	Nilssen	D440,064 S	4/2001	Deacon	
4,844,388 A	7/1989	Kuba	6,213,191 B1	4/2001	Nitzsche	
4,852,500 A	8/1989	Ryburg	D441,968 S	5/2001	Lin	
4,865,111 A	9/1989	Perutz	6,250,019 B1	6/2001	Simons, Jr.	
			D446,659 S	8/2001	Ludwig et al.	
			6,286,275 B1	9/2001	Edwards	
			D449,169 S	10/2001	Bennie et al.	

(56)

References Cited

U.S. PATENT DOCUMENTS

6,295,764 B1 10/2001 Berridge
 6,296,216 B1 10/2001 Law
 D452,559 S 12/2001 Schonberger et al.
 6,327,982 B1 12/2001 Jackson
 D456,182 S 4/2002 Hamilton et al.
 6,375,119 B2 4/2002 Park
 6,375,257 B1 4/2002 Wooding
 D457,359 S 5/2002 Chan
 6,386,723 B1 5/2002 Eberlein
 6,394,689 B1 5/2002 Kuo
 D460,274 S 7/2002 Bennie et al.
 D460,630 S 7/2002 Ritch et al.
 6,422,646 B1 7/2002 McNally
 6,453,826 B1 9/2002 Fookes
 D465,049 S 10/2002 Ludwig
 6,484,647 B2 11/2002 Lininger, Jr.
 6,487,978 B1 12/2002 Hamberg
 6,497,075 B1 12/2002 Schreiner
 6,527,406 B1 3/2003 Slesinger
 6,629,722 B1 10/2003 Tang
 6,644,748 B2 11/2003 Tholkes
 6,659,159 B2 12/2003 Fritsche
 6,662,732 B2 12/2003 Birsell
 6,663,267 B2 12/2003 Newhouse
 6,695,270 B1 2/2004 Smed
 D488,163 S 4/2004 Hunt
 6,742,307 B2 6/2004 Briskman
 6,748,710 B2 6/2004 Gresham
 6,769,747 B2 8/2004 Chan
 D503,549 S 4/2005 Nicoletti
 D506,331 S 6/2005 Quintal
 D508,787 S 8/2005 Natuzzi
 D510,816 S 10/2005 Lee
 7,032,523 B2 4/2006 Forslund, III
 D520,263 S 5/2006 Nobles et al.
 7,036,438 B2 5/2006 Okamoto
 7,082,882 B2 8/2006 Heimbrock
 7,134,719 B2 11/2006 Moglin
 7,178,469 B2 2/2007 Goza
 7,207,629 B2 4/2007 Goetz
 D552,362 S 10/2007 Bouroullec et al.
 D553,400 S * 10/2007 Kassanoff D6/707.19
 D557,916 S 12/2007 Dietrich
 D558,993 S 1/2008 Saint-Jalmes et al.
 D559,002 S 1/2008 Williams et al.
 7,318,622 B2 1/2008 Rezag
 D564,764 S 3/2008 Springer et al.
 7,357,086 B2 4/2008 Petrick
 D568,062 S 5/2008 Newhouse
 D569,647 S 5/2008 Mezger
 7,419,214 B2 9/2008 Plant
 7,427,101 B1 9/2008 Zernov
 D579,224 S 10/2008 Fancelli
 D582,173 S 12/2008 Dordoni
 D583,579 S 12/2008 Pearson et al.
 D584,901 S 1/2009 Massaud
 7,481,170 B2 1/2009 Sommerfield
 7,506,772 B2 3/2009 Chen
 7,517,010 B2 4/2009 Saint-Jalmes
 7,523,888 B2 4/2009 Ferry
 D591,520 S 5/2009 Orson et al.
 D596,864 S 7/2009 Bergmann et al.
 D599,122 S 9/2009 Feldpausch et al.
 D600,930 S 9/2009 Overthun et al.
 7,641,962 B2 1/2010 Sutton
 D609,037 S 2/2010 Miller et al.
 D610,377 S 2/2010 Kita
 7,677,182 B2 3/2010 Mueller
 D615,919 S 5/2010 Bock
 7,721,991 B2 5/2010 Johnson
 7,726,732 B1 6/2010 Keating
 D621,329 S 8/2010 Bock
 D621,330 S 8/2010 Bock
 D621,331 S 8/2010 Bock
 7,827,920 B2 11/2010 Beck

7,887,014 B2 2/2011 Lindblad
 7,938,372 B2 5/2011 MacLeod
 D640,074 S 6/2011 Hamilton et al.
 D643,042 S 8/2011 Saelid
 7,997,211 B2 8/2011 Peterson
 7,997,531 B2 8/2011 Bettell
 7,997,654 B2 8/2011 Ferry
 8,011,723 B2 9/2011 Park
 D646,085 S 10/2011 Overthun et al.
 D648,553 S 11/2011 Wilson et al.
 8,046,957 B2 11/2011 Towersey
 D653,884 S 2/2012 Ferry et al.
 8,162,519 B2 4/2012 Salter
 8,177,165 B2 5/2012 Bettell
 8,191,487 B2 6/2012 Theesfeld
 8,201,885 B2 6/2012 Thompson
 D663,256 S 7/2012 Collins et al.
 8,215,041 B2 7/2012 Hill
 8,215,065 B2 7/2012 Gallant
 8,225,723 B2 7/2012 Nakamura
 D668,257 S 10/2012 Tsai
 8,276,867 B2 10/2012 Hung
 8,291,833 B2 10/2012 Skiba
 8,312,653 B2 11/2012 Fritsche
 8,313,060 B2 11/2012 Darbyshire
 8,322,802 B2 12/2012 Boxenbaum
 8,327,589 B2 12/2012 Sutton
 8,365,798 B2 2/2013 Feldpausch
 D677,477 S 3/2013 Agati et al.
 8,414,076 B2 4/2013 Plant
 8,434,825 B2 5/2013 Wesselink
 8,485,470 B2 7/2013 Hankinson
 8,596,206 B2 12/2013 Legeay
 8,616,137 B2 12/2013 Collins
 D701,089 S * 3/2014 Lee D7/554.3
 8,667,908 B2 3/2014 Martin
 8,668,257 B2 3/2014 Wu
 D702,068 S 4/2014 Mitten et al.
 8,690,254 B2 4/2014 Cailleateau
 D736,549 S * 8/2015 Andersen D6/685
 2001/0003960 A1 6/2001 Lininger et al.
 2002/0181229 A1 12/2002 Wei
 2003/0085597 A1 5/2003 Ludeke et al.
 2003/0132356 A1 7/2003 Copeland
 2004/0007904 A1 1/2004 Lin et al.
 2004/0065235 A1 4/2004 de Oliveira
 2004/0250480 A1 12/2004 Matthai
 2005/0067865 A1 3/2005 Yu
 2006/0097553 A1 5/2006 Spurlock et al.
 2007/0261315 A1 11/2007 Ludwig et al.
 2007/0271856 A1 11/2007 Ludwig et al.
 2007/0278361 A1 12/2007 May et al.
 2009/0050740 A1 2/2009 Saint-Jalmes et al.
 2009/0146006 A1 6/2009 Park et al.
 2009/0212669 A1 8/2009 Robert-Reitman et al.
 2009/0243352 A1 10/2009 Cailleateau
 2009/0302158 A1 12/2009 Darbyshire et al.
 2010/0301162 A1 12/2010 Hankinson
 2011/0011977 A1 1/2011 Olliges
 2011/0186682 A1 8/2011 Collins et al.
 2011/0210204 A1 9/2011 Collins et al.
 2011/0253838 A1 10/2011 Bettell
 2011/0289859 A1 12/2011 Picchio
 2012/0037776 A1 2/2012 Hung
 2012/0186164 A1 7/2012 Pensi
 2012/0235453 A1 9/2012 Bechtold et al.
 2012/0313406 A1 12/2012 Darbyshire et al.
 2012/0318918 A1 12/2012 Johnson et al.
 2013/0180940 A1 7/2013 Tsai

FOREIGN PATENT DOCUMENTS

GB 2362095 A 11/2001
 JP H08258796 A 10/1996
 JP 2003135163 A 5/2003
 JP 2005334407 A 12/2005
 WO 2008031506 A1 3/2008

(56)

References Cited

FOREIGN PATENT DOCUMENTS

WO 2008133953 A1 11/2008
WO 2013144845 A2 10/2013

* cited by examiner

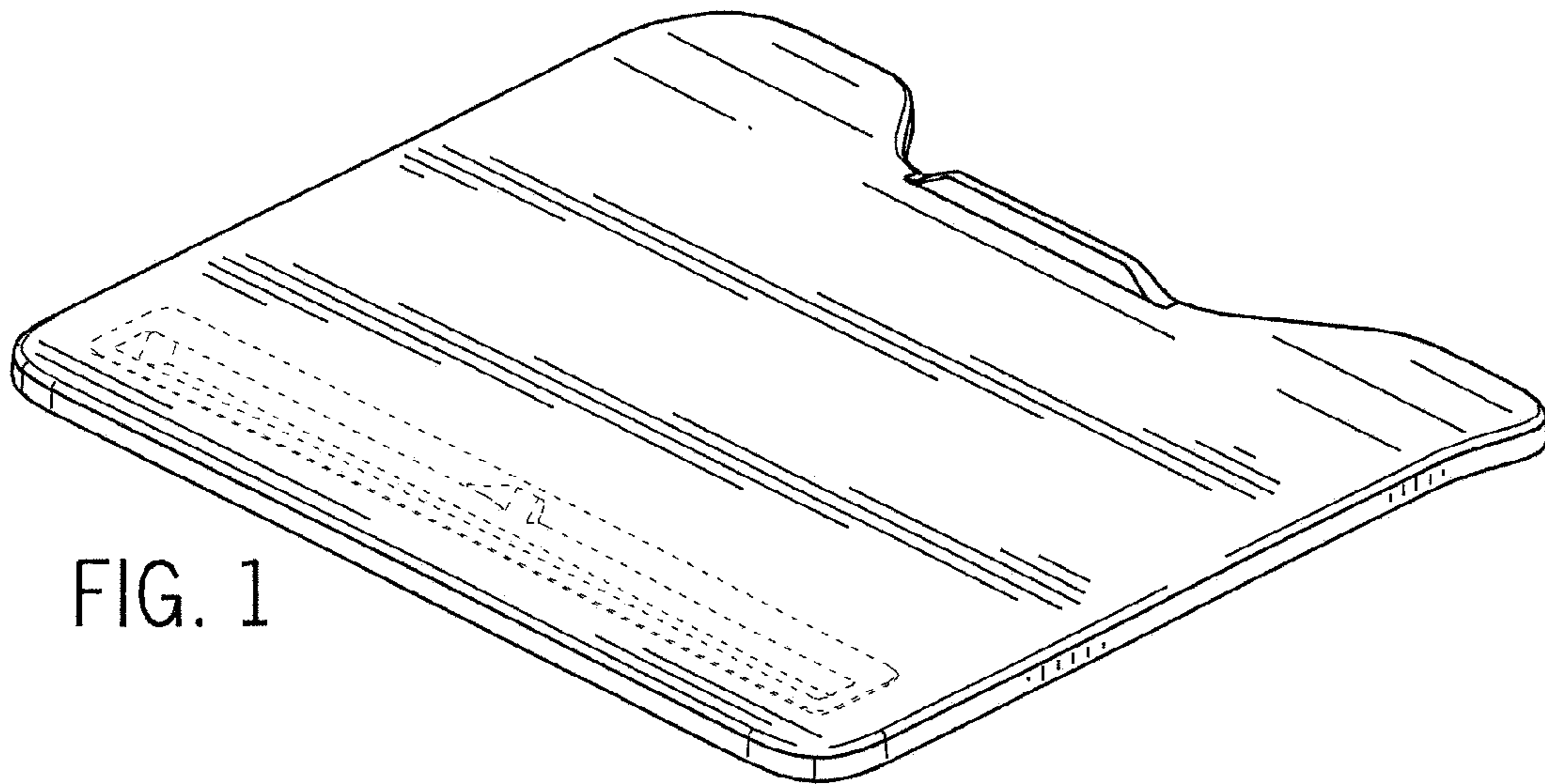


FIG. 1

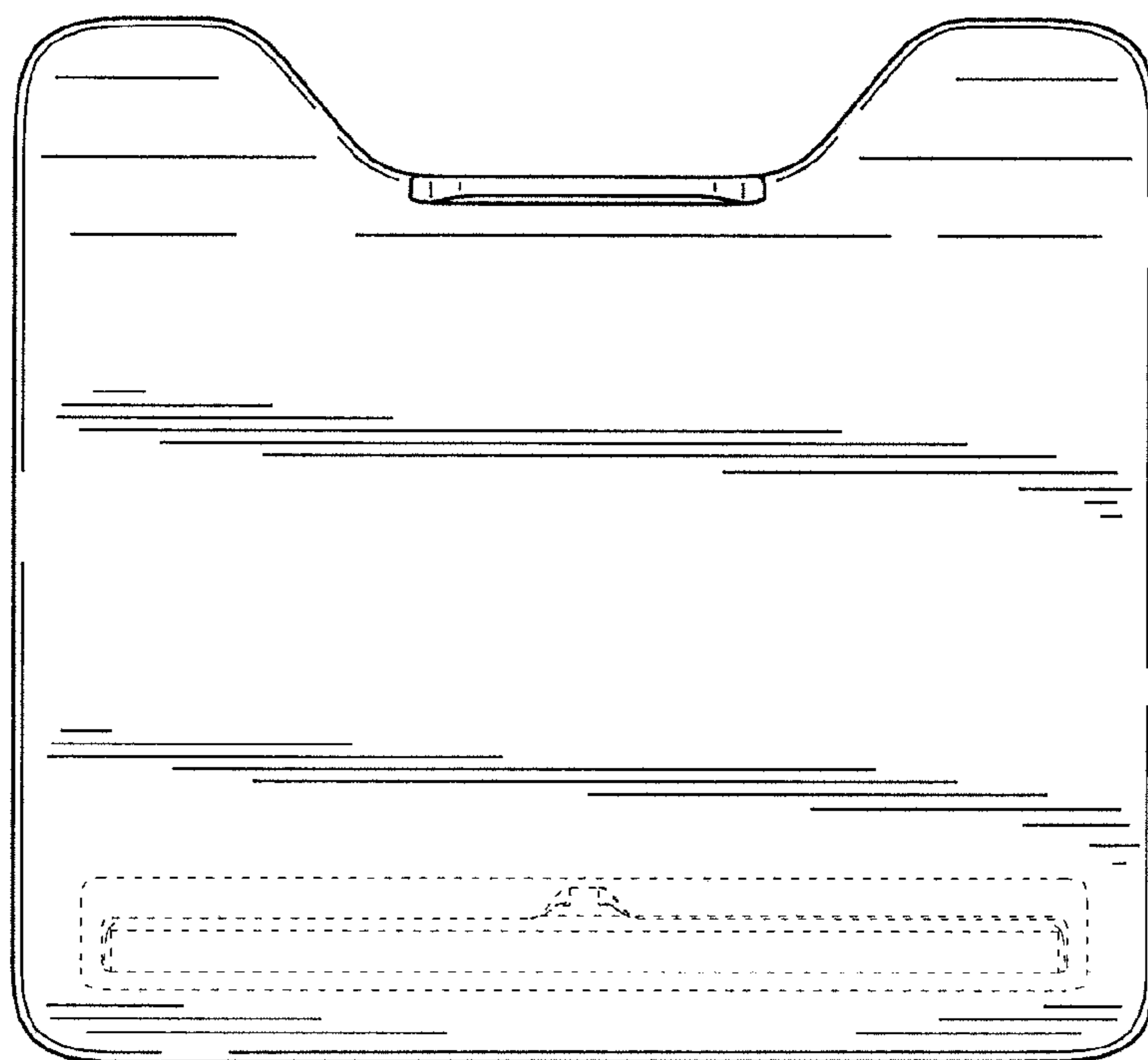


FIG. 2

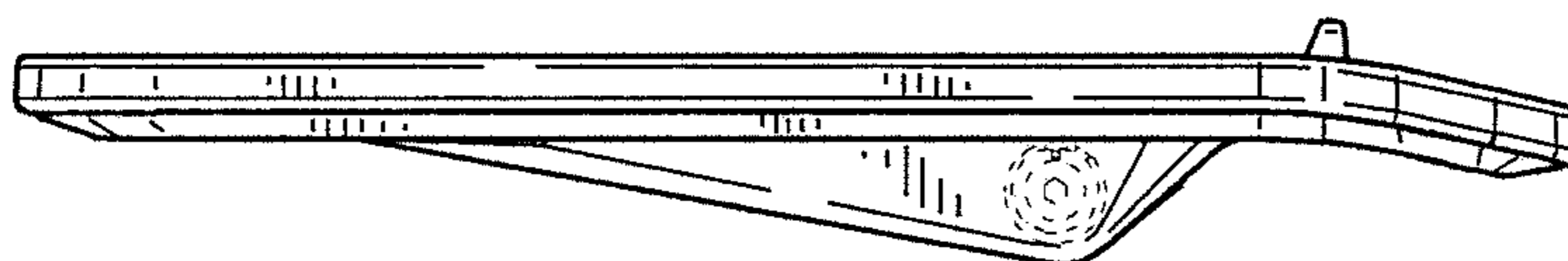


FIG. 3

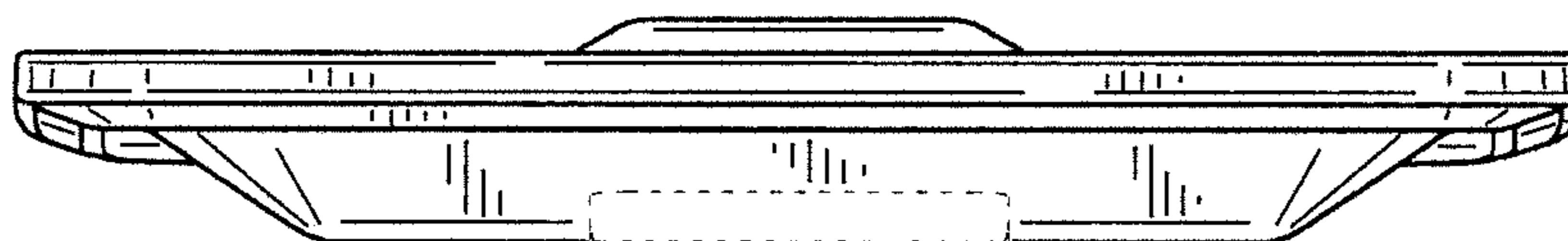


FIG. 4

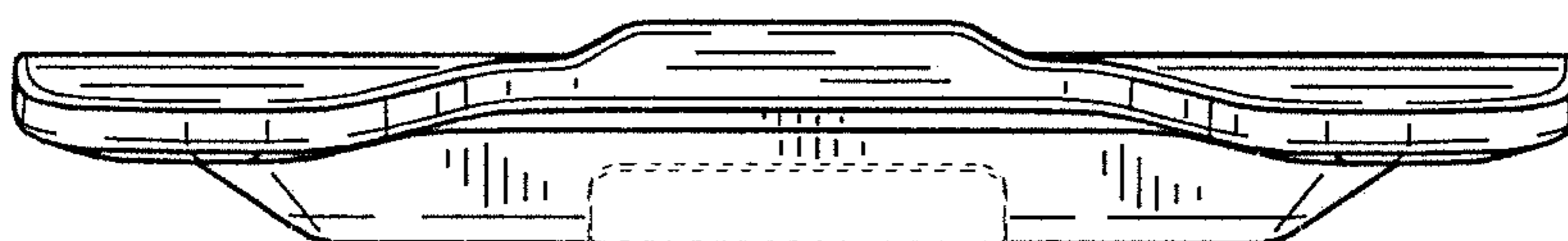


FIG. 5

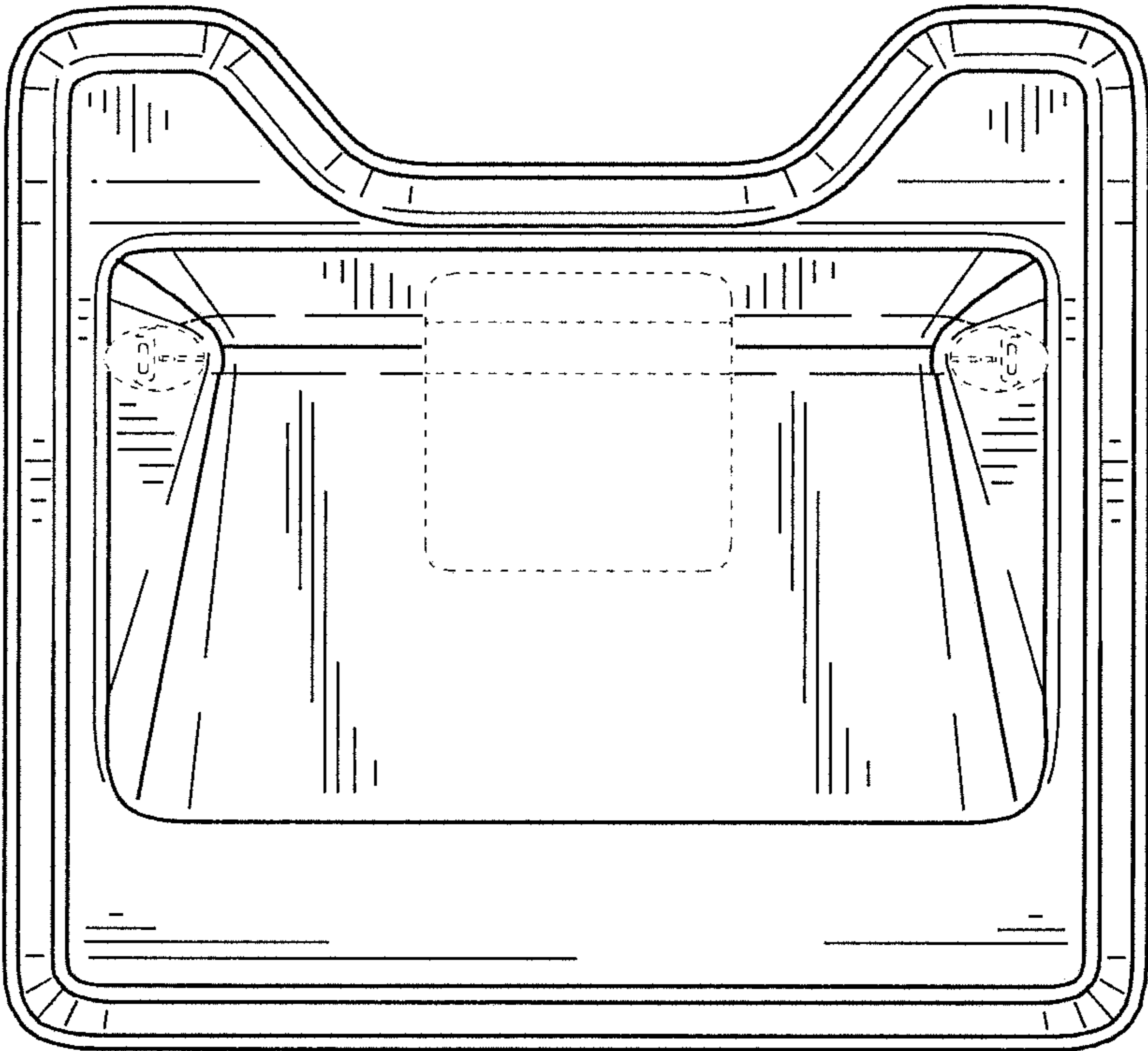


FIG. 6