



US00D778652S

(12) **United States Design Patent** (10) **Patent No.:** **US D778,652 S**
Siebert et al. (45) **Date of Patent:** **** Feb. 14, 2017**

(54) **PIVOTAL CONFERENCE ROOM TABLE**

(71) Applicant: **Brunswick Corpotion**, Lake Forest, IL (US)

(72) Inventors: **Paul Brian Siebert**, Chicago, IL (US);
Jess Allen Sorel, Oakland, CA (US)

(73) Assignee: **Brunswick Corporation**, Lake Forest, IL (US)

(**) Term: **15 Years**

(21) Appl. No.: **29/533,629**

(22) Filed: **Jul. 20, 2015**

(51) **LOC (10) Cl.** **06-06**

(52) **U.S. Cl.**
USPC **D6/707.15**

(58) **Field of Classification Search**
USPC D6/707.15, 650, 692, 692.3, 310, 312, D6/708, 708.22, 708.23, 512, 707.19, D6/663, 664, 644, 667, 671, 671.1, 671.2, D6/655, 705.6, 657, 705, 705.4, 702, 703, D6/703.3, 703.6, 675, 675.2, 705.1, 648, D6/335; D34/19; D14/205; D7/600.1, D7/600.4, 704, 641; D8/300, 301, 315, D8/321, 382; D26/113, 138
CPC A47B 1/05; A47B 1/04; A47B 21/06; A47B 13/003; A47B 13/081; A47B 1/03; A47B 21/045; A47B 9/04; A47B 17/04; A47B 17/065; A47B 67/00; A47B 67/04; A47B 88/04; A47B 88/00; A47B 88/0044; A47B 87/00; A47B 87/02; A47B 13/08; A47B 43/00; A47B 45/00; A47B 47/03; A47B 47/02; A47B 47/021; A47B 96/14; A47B 23/007; A47B 23/06; A47B 2097/006; A45C 2011/002; A47F 5/0018; A47F 5/0031; A47F 5/01; F16B 7/00; F16B 7/04; F16B 7/12; F16B 12/02; F16B 12/04; B60N 3/002; B60R 7/04; B65G 35/06

See application file for complete search history.

(56) **References Cited**

U.S. PATENT DOCUMENTS

3,224,391 A	12/1965	Cooper	
3,255,719 A	6/1966	Klavins	
3,290,105 A *	12/1966	Nall	A47B 1/05
			312/209
3,794,398 A *	2/1974	Lindsay	A47B 1/05
			312/241
D254,826 S *	4/1980	Crespi	D6/692.3

(Continued)

OTHER PUBLICATIONS

“Pivoting Teamwork Desks” Jul. 14, 2013, Trend Hunter Art & Design, site visited Sep. 29, 2016 <<http://www.trendhunter.com/trends/working-desk>>.*

(Continued)

Primary Examiner — Kevin Rudzinski
Assistant Examiner — Paul Bohannon
(74) *Attorney, Agent, or Firm* — Andrus Intellectual Property Law, LLP

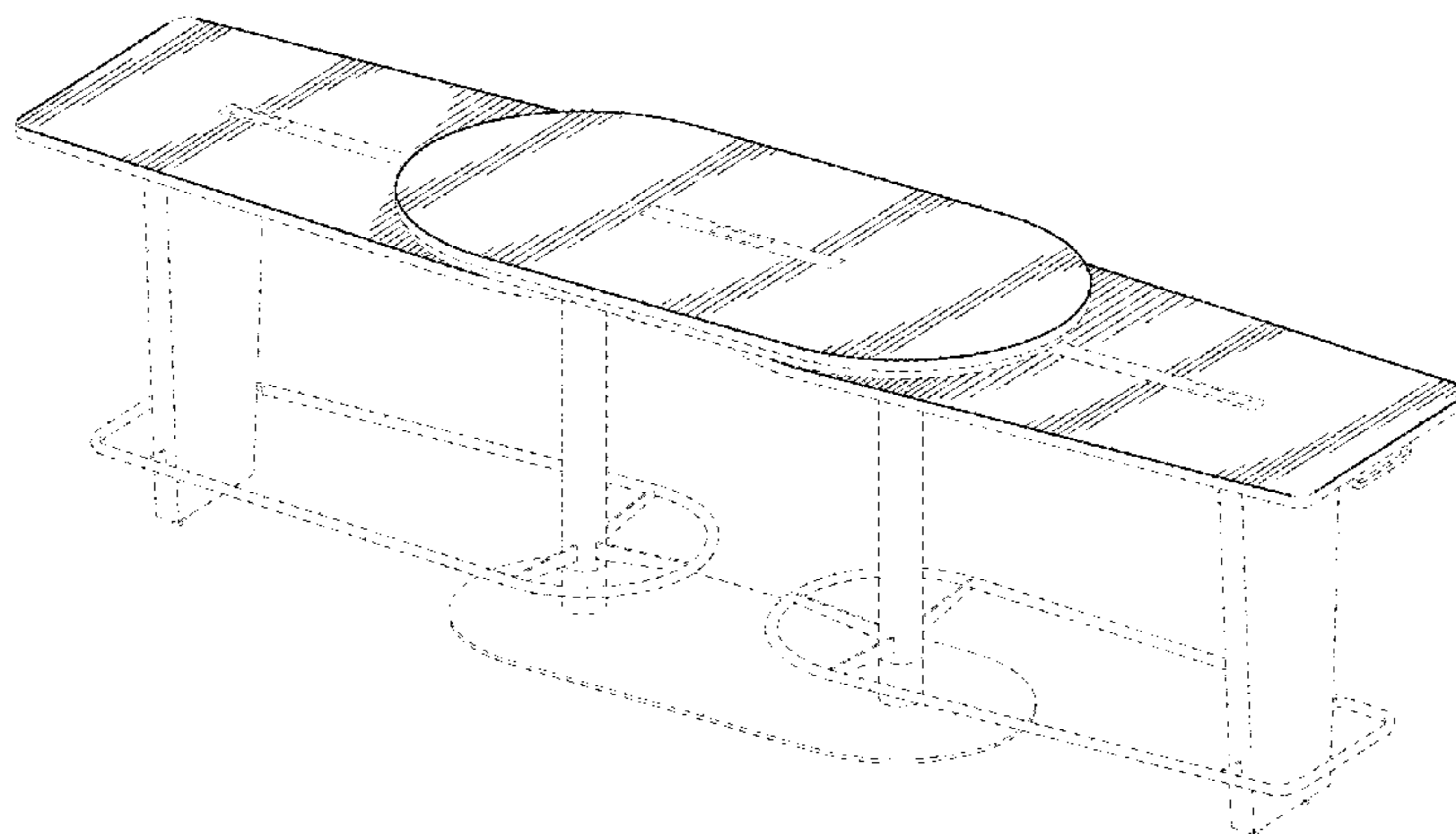
(57) **CLAIM**

The ornamental design for a pivotal conference room table, as shown and described.

DESCRIPTION

FIG. 1 is a front perspective view of the pivotal conference room table showing our new design;
FIG. 2 is a top plane view thereof;
FIG. 3 is a bottom plane view thereof;
FIG. 4 is a front side elevation view thereof;
FIG. 5 is a back side elevation view thereof;
FIG. 6 is a left side elevation view thereof;
FIG. 7 is a right side elevation view thereof;
FIG. 8 is a top plane view thereof showing a pivoted position; and,
FIG. 9 is a top plane view thereof showing an alternate pivoted position.

(Continued)



The broken lines represent portions of the pivotal conference room table that are shown for purposes of illustrating environment and form no part of the claimed design.

1 Claim, 7 Drawing Sheets

(56)

References Cited

U.S. PATENT DOCUMENTS

D286,598	S *	11/1986	Berry, Jr.	D6/707.15
5,078,055	A	1/1992	Bellini et al.	
D330,295	S *	10/1992	Zapf	D6/644
D337,220	S *	7/1993	Bennett	D6/692
5,425,313	A	6/1995	Rowan	
5,704,298	A	1/1998	Corpuz, Jr. et al.	
D395,969	S *	7/1998	Barlow-Lawson	D6/707.15
D401,086	S *	11/1998	Hellwig	D6/650
5,943,966	A	8/1999	Machado et al.	
6,327,983	B1 *	12/2001	Cronk	A47B 21/06 108/50.02
6,497,184	B1	12/2002	Whitesitt	
6,517,428	B1	2/2003	Murray et al.	
6,588,346	B1	7/2003	Bockheim et al.	
6,637,352	B1	10/2003	Thode et al.	
6,662,734	B2	12/2003	Chang	
6,715,428	B2	4/2004	Wilcox	
D568,622	S *	5/2008	Little	D6/335
D580,201	S *	11/2008	Davis	D6/707.15
8,214,242	B2	7/2012	Agapi et al.	
8,573,554	B2	11/2013	Jines et al.	
8,797,159	B2	8/2014	Kirkpatrick et al.	
D764,839	S *	8/2016	Hecht	D6/648
2003/0066464	A1 *	4/2003	Chang	A47B 17/065 108/103

2004/0251112	A1 *	12/2004	Freudelsperger	B65G 35/06 198/415
2005/0045073	A1 *	3/2005	Wasley	A47B 87/002 108/64
2005/0265264	A1	12/2005	Hering et al.	
2005/0268823	A1 *	12/2005	Bakker	A47B 21/06 108/50.02
2007/0277710	A1 *	12/2007	Gray	A47B 13/003 108/153.1
2010/0277043	A1 *	11/2010	Bloch	A47B 13/081 312/195
2012/0097418	A1 *	4/2012	Ruotsala	A47B 21/06 174/60
2012/0103235	A1 *	5/2012	Summerville	A47B 1/04 108/89
2013/0047898	A1 *	2/2013	Lee	A47B 1/03 108/86
2014/0060395	A1 *	3/2014	Ruiter	A47B 13/081 108/50.02
2014/0261097	A1 *	9/2014	Eilers	B60R 7/04 108/44
2015/0282608	A1 *	10/2015	Sakanoue	B60N 3/002 108/42

OTHER PUBLICATIONS

“HUD Scissors Table” Nov. 15, 2014, custom-conference-tables.com, site visited Oct. 25, 2016 <<https://web.archive.org/web/20141115085543/http://www.custom-conference-tables.com/conference-tables/hud-scissors-table>>.*

Nevers Offices & Collaborative Spaces, Assembly Instructions: Eventi Articulating Conference Tables, 7 pages, www.nevers.com, website visited Jul. 13, 2015.

* cited by examiner

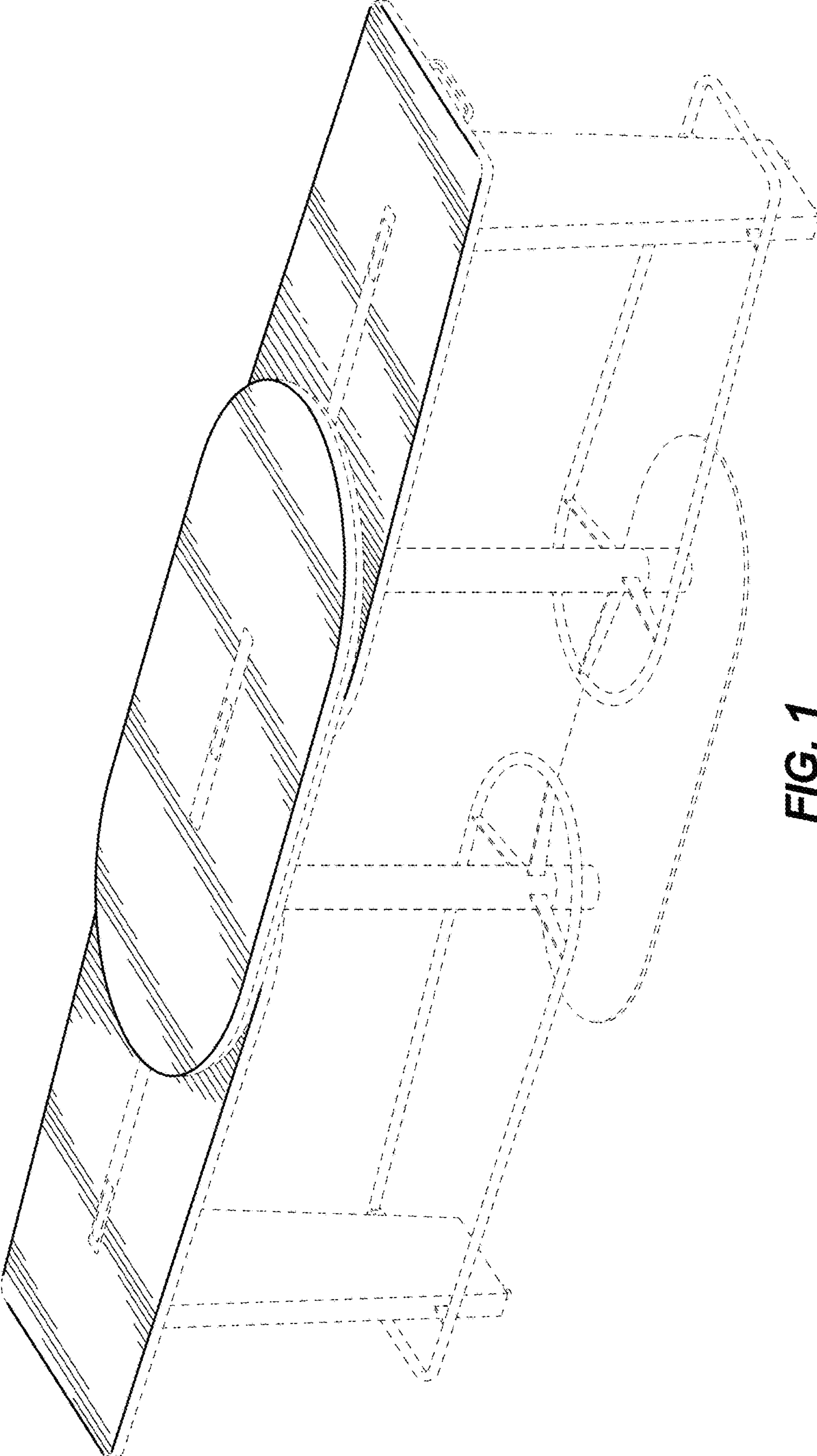


FIG. 1

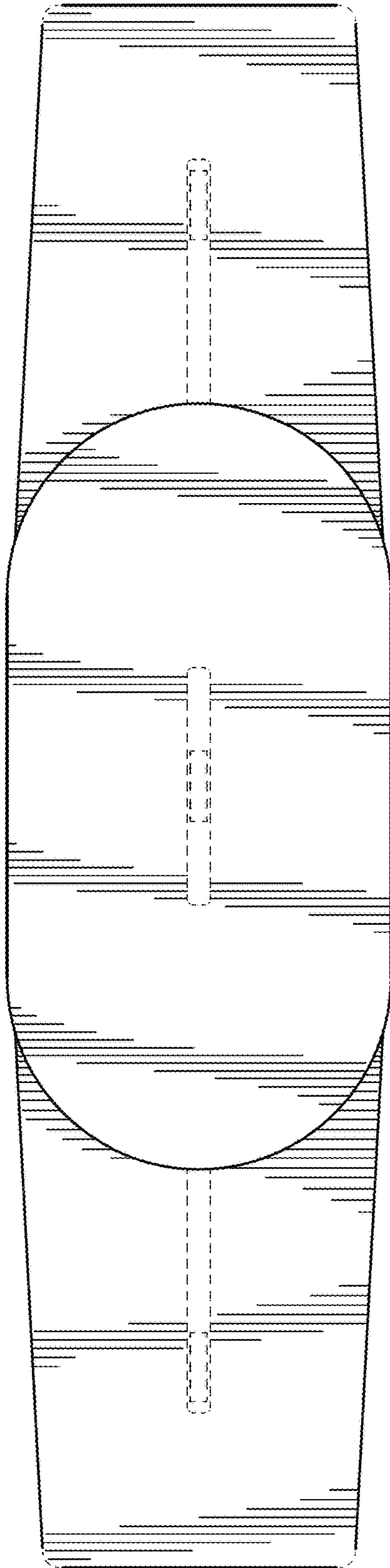


FIG. 2

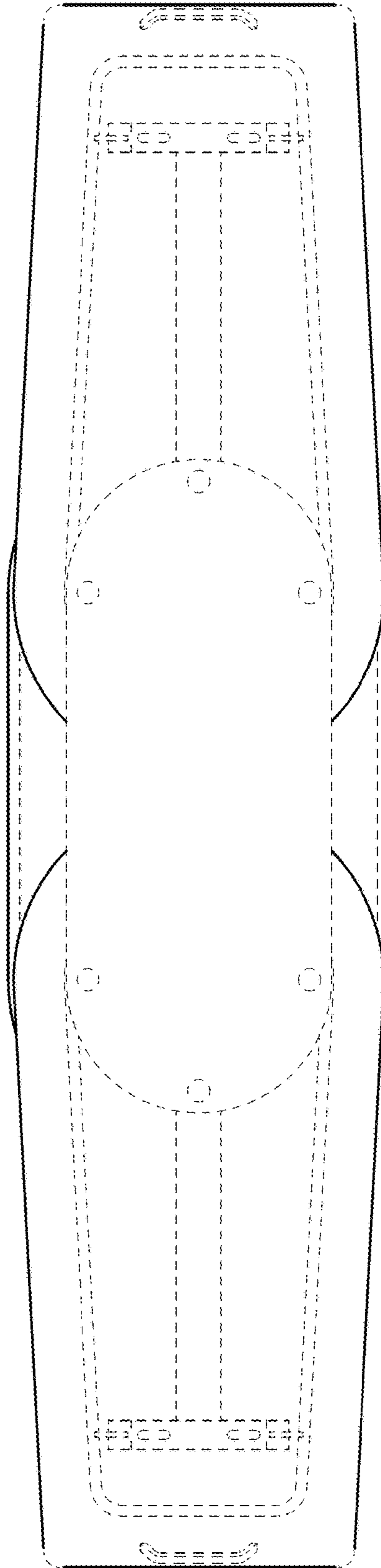


FIG. 3

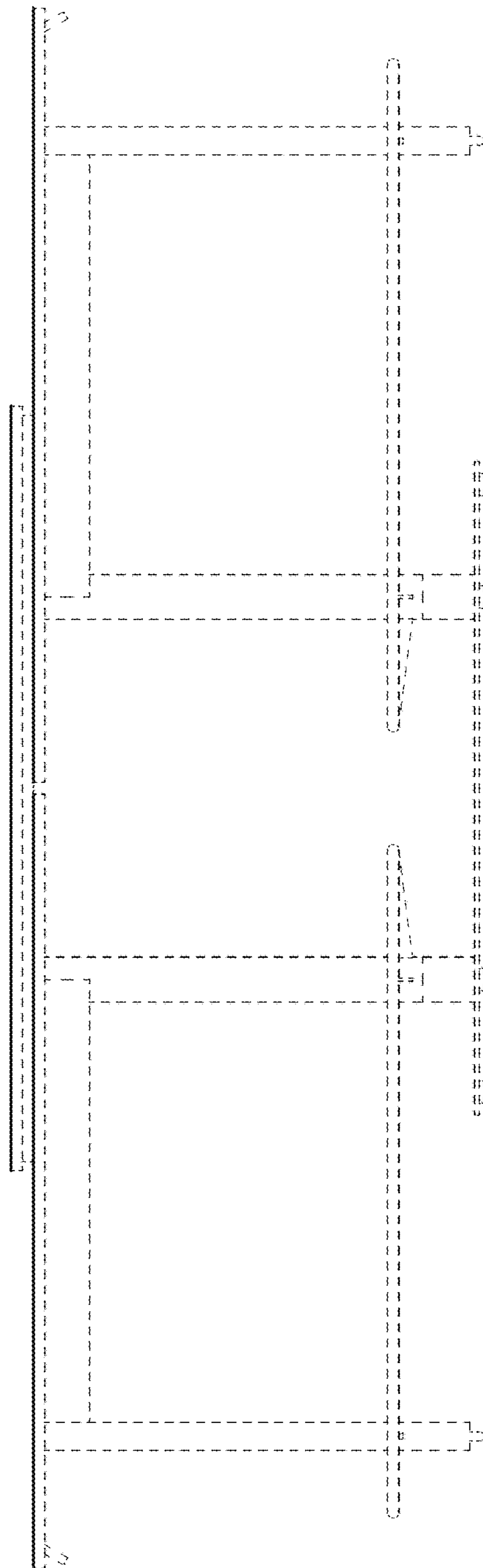


FIG. 4

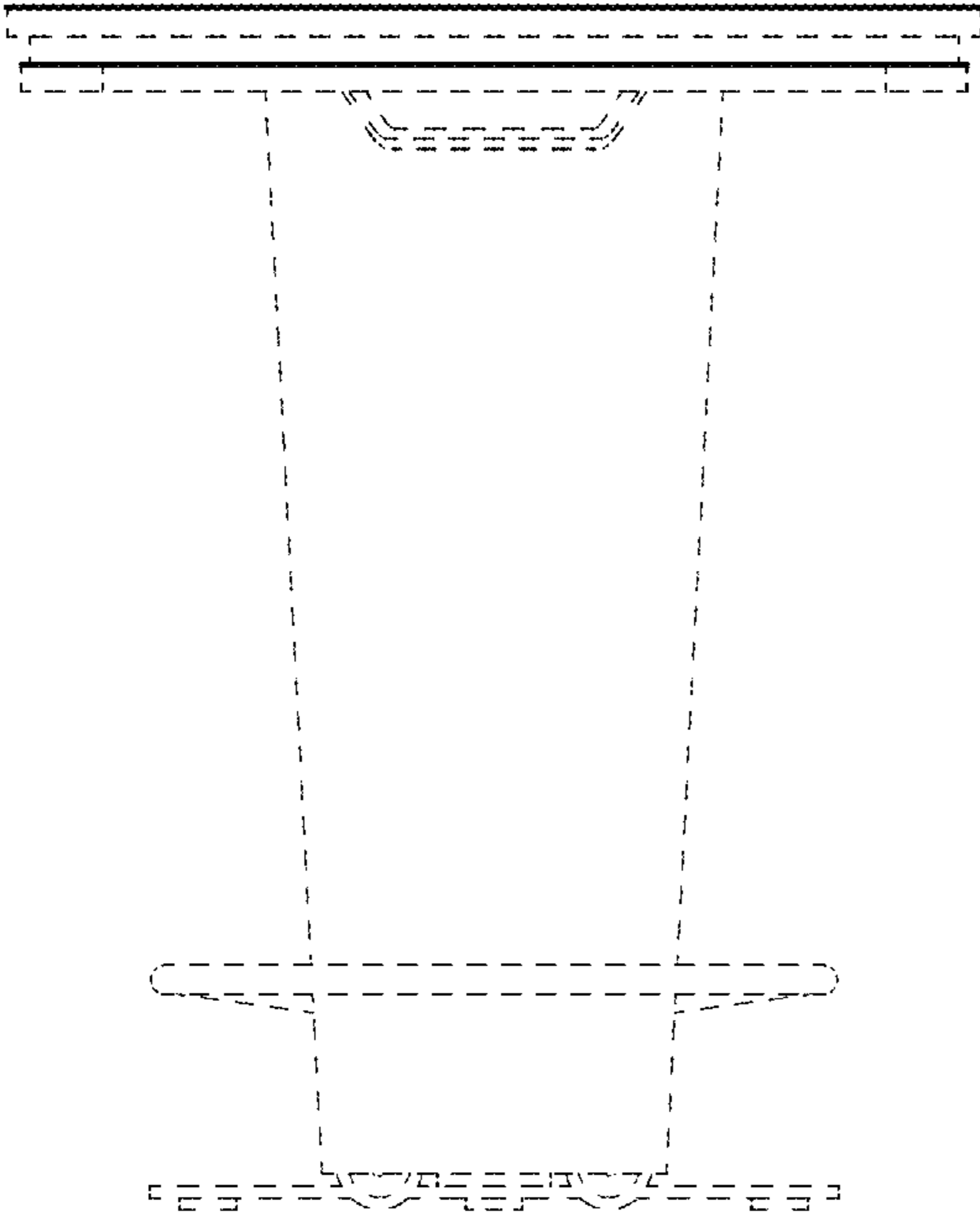


FIG. 6

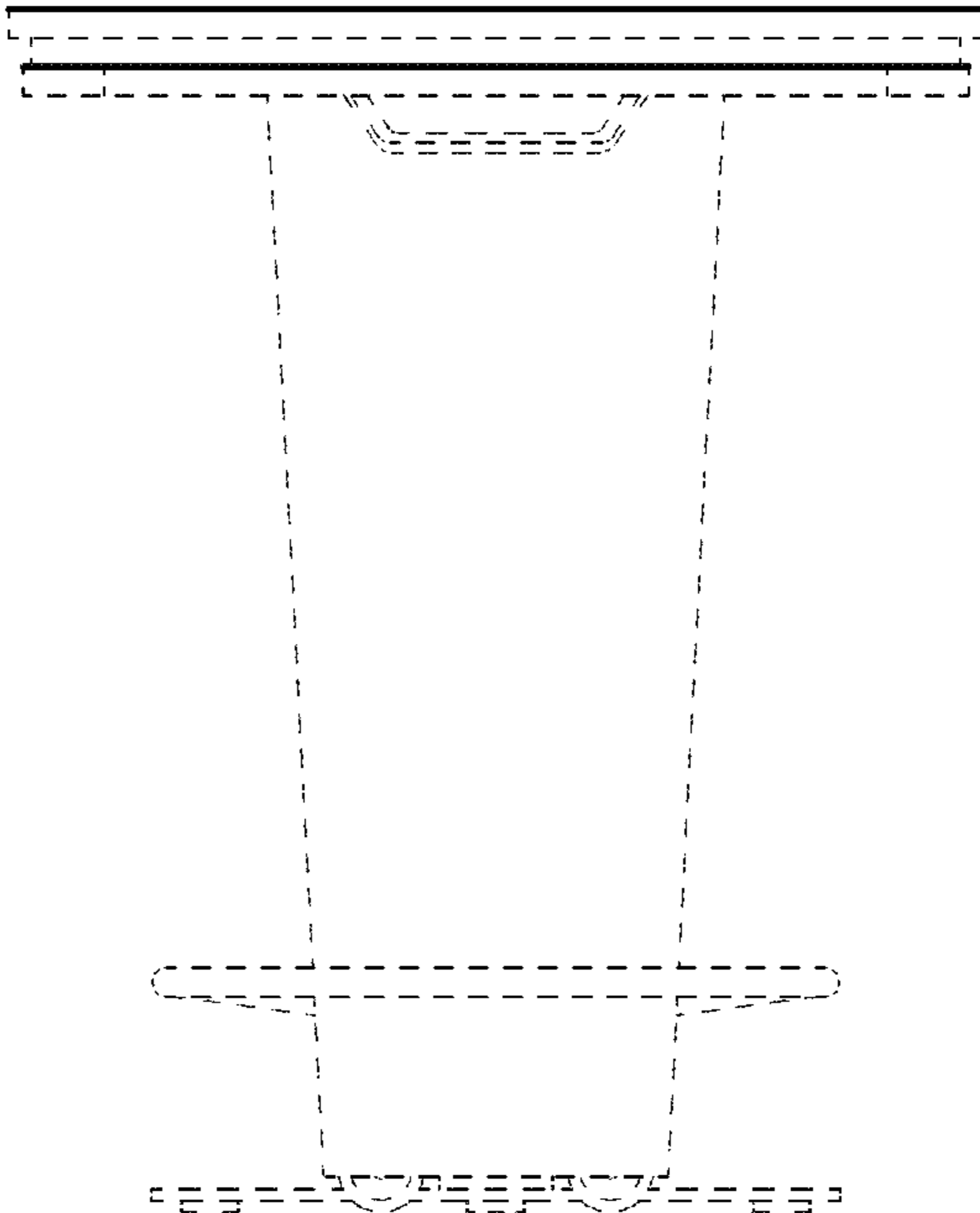


FIG. 7

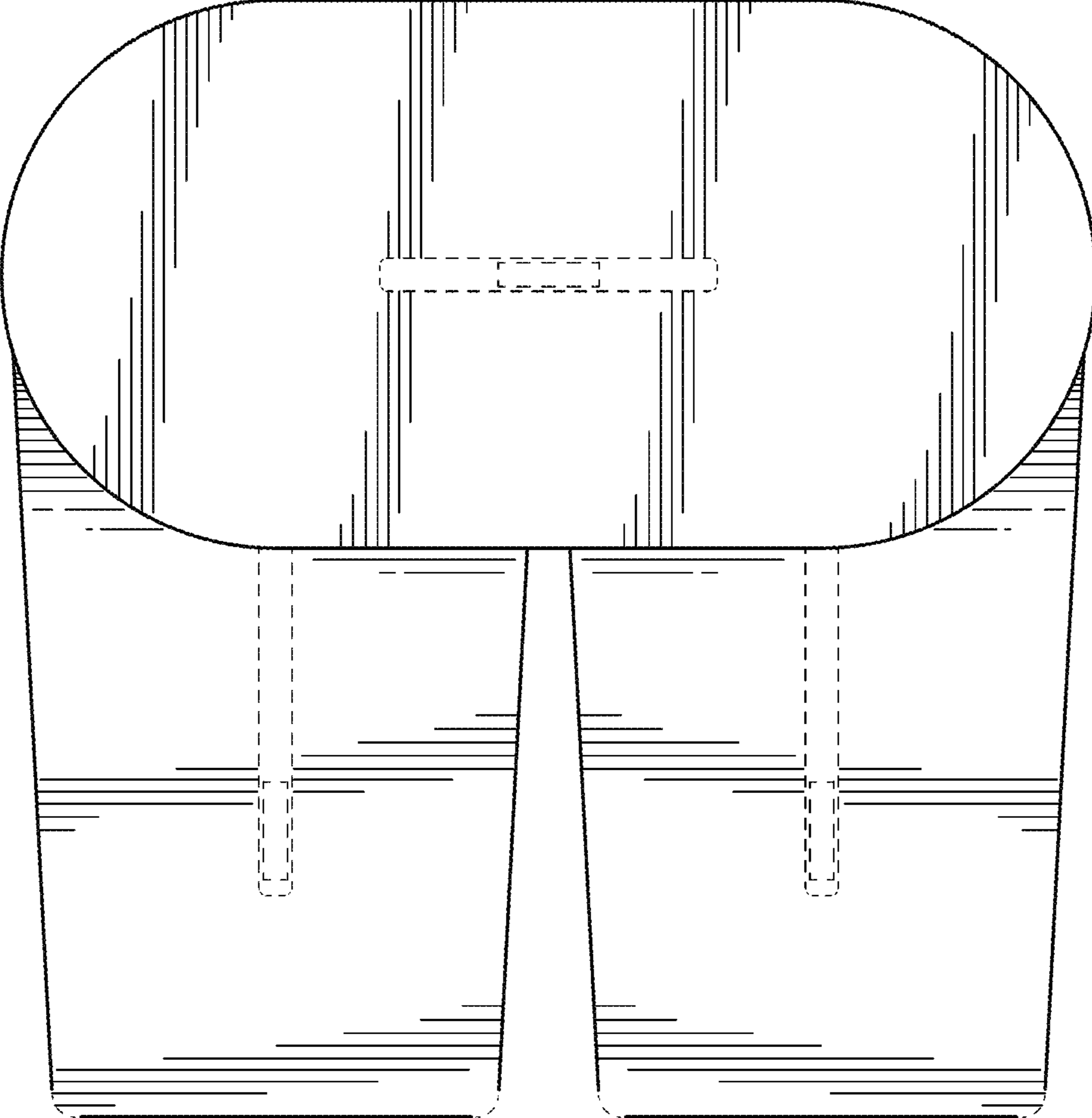


FIG. 8

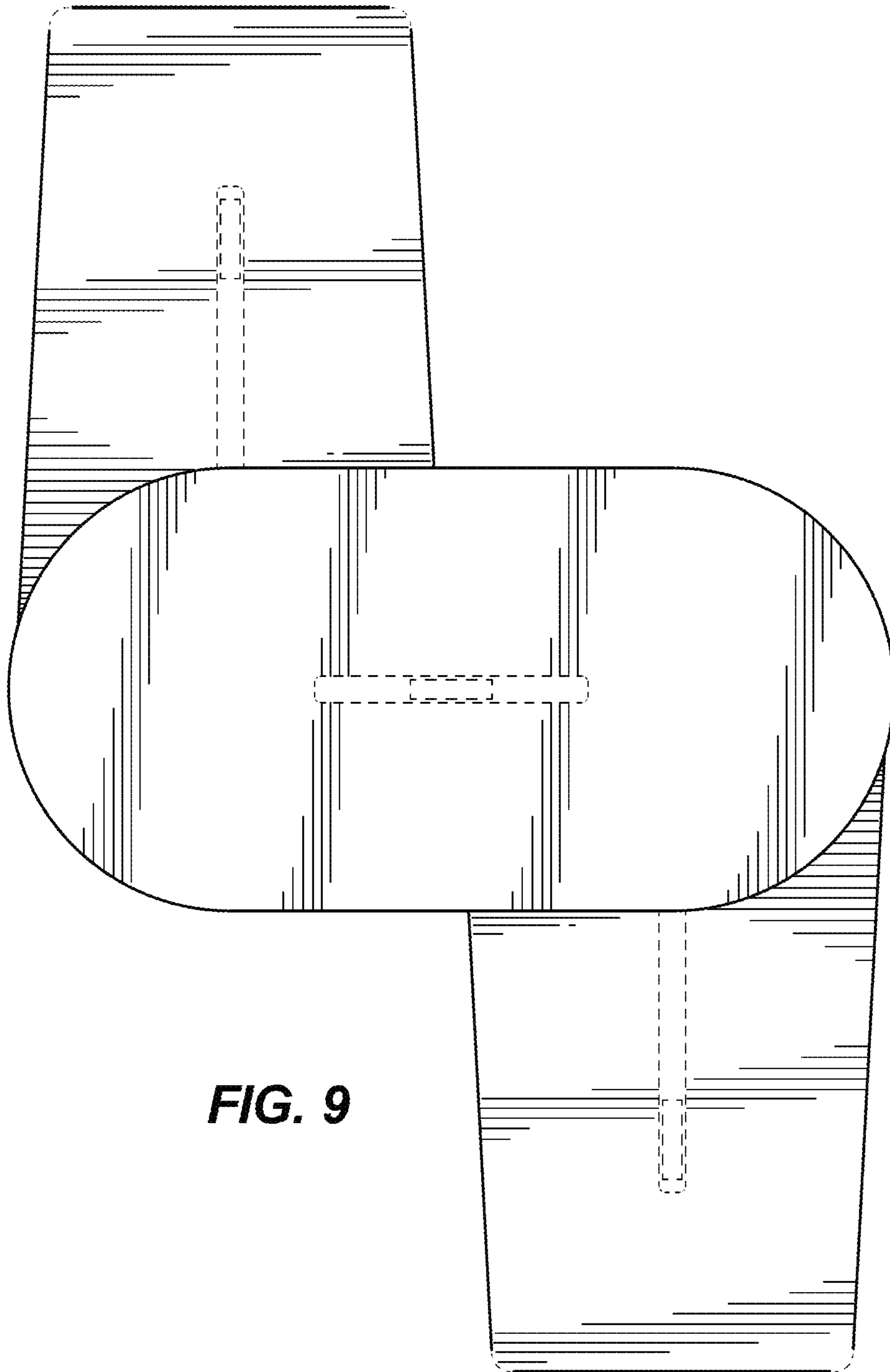


FIG. 9