



US00D778651S

(12) **United States Design Patent** (10) **Patent No.:** **US D778,651 S**  
**Jackson** (45) **Date of Patent:** **\*\* Feb. 14, 2017**

(54) **MAGNETIC DRAWER DIVIDER PIECE**  
(71) Applicant: **HOME DEPOT PRODUCT AUTHORITY, LLC**, Atlanta, GA (US)  
(72) Inventor: **Nicholas Jackson**, Atlanta, GA (US)  
(73) Assignee: **Home Depot Product Authority, LLC**, Atlanta, GA (US)

(\*\*) Term: **14 Years**  
(21) Appl. No.: **29/517,742**

(22) Filed: **Feb. 16, 2015**  
(51) **LOC (10) Cl.** ..... **06-06**  
(52) **U.S. Cl.**  
USPC ..... **D6/706**  
(58) **Field of Classification Search**  
USPC ..... D6/702, 705-706; D8/354, 382, 349;  
446/135; 40/600, 621  
CPC ..... Y10T 24/32; A44D 2203/00; G09F 7/20  
See application file for complete search history.

(56) **References Cited**  
U.S. PATENT DOCUMENTS  
1,549,279 A 8/1925 Taussig ..... 312/140  
1,620,737 A 3/1927 Peterson ..... 217/24  
1,676,373 A 7/1928 Woltz ..... 403/283  
1,677,544 A 7/1928 Brainard et al. .... 312/117  
1,747,390 A 2/1930 Robb ..... 217/23  
1,823,285 A 9/1931 Petritsch ..... 220/532  
1,940,048 A 12/1932 Cutler ..... 312/304  
1,893,186 A 1/1933 Thomas, Jr. et al. .... 312/304  
1,919,568 A 7/1933 McCosh ..... 220/529  
2,082,667 A 6/1937 Vanderveld ..... 403/345  
2,101,378 A 12/1937 Wiskoff ..... 220/532  
2,144,804 A 1/1939 Irwin et al. .... 217/7  
2,148,681 A 2/1939 Cameron ..... 220/551  
2,214,042 A 9/1940 Burdick ..... 220/553  
2,268,637 A 1/1942 Bernstein ..... 217/31

2,459,561 A 1/1949 Yawman ..... 220/529  
2,504,466 A 4/1950 Stolzoff ..... 211/11  
2,640,621 A 6/1953 Mokin ..... 220/674  
2,681,730 A 6/1954 Came ..... 206/0.83  
2,743,774 A 5/1956 Pinto ..... 160/351  
2,747,959 A 5/1956 Ingelson ..... 312/140.3  
2,824,349 A 2/1958 Baldacci ..... 217/24  
3,067,903 A 12/1962 Jones, Jr. .... 220/552  
3,140,791 A 7/1964 Reiss, Sr. et al. .... 217/7  
3,279,642 A 10/1966 Kafferlin ..... 220/544  
3,410,445 A 11/1968 Pilley ..... 220/533  
3,680,177 A 8/1972 Ginsberg ..... 220/533  
3,710,974 A 1/1973 Hage ..... 220/541  
3,892,451 A 7/1975 Bruins ..... 312/348.3  
3,954,202 A 5/1976 Petrick ..... 220/533  
4,081,100 A 3/1978 Presby ..... 220/544

(Continued)

**OTHER PUBLICATIONS**

U.S. Appl. No. 29/517,731, filed Feb. 16, 2015, Jackson.  
(Continued)

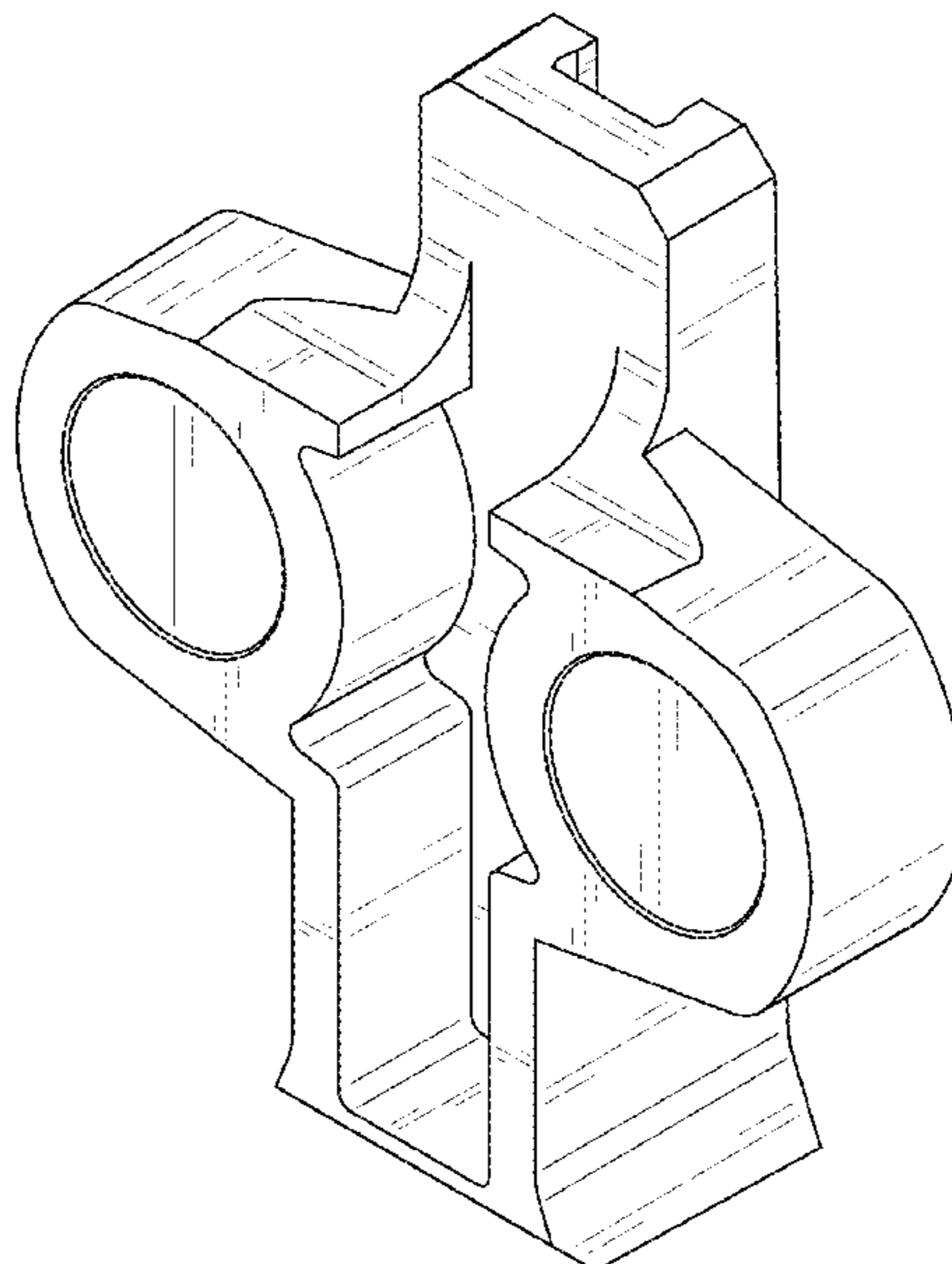
*Primary Examiner* — Rosemary K Tarcza  
*Assistant Examiner* — James Thorn, Sr.  
(74) *Attorney, Agent, or Firm* — Greenberg Traurig LLP

(57) **CLAIM**  
The ornamental design for a magnetic drawer divider piece, as shown and described.

**DESCRIPTION**

FIG. 1 is a perspective view of a magnetic drawer divider piece;  
FIG. 2 is a front view thereof;  
FIG. 3 is a rear view thereof;  
FIG. 4 is a left side view thereof;  
FIG. 5 is a right side view thereof;  
FIG. 6 is a top view thereof; and,  
FIG. 7 is a bottom view thereof.

**1 Claim, 5 Drawing Sheets**



(56)

References Cited

U.S. PATENT DOCUMENTS

4,258,856 A 3/1981 Marling ..... 220/552  
 D259,395 S \* 6/1981 Sugawara ..... D8/402  
 4,478,337 A 10/1984 Flum  
 4,648,524 A 3/1987 Ackermann ..... 220/507  
 4,889,253 A 12/1989 Schmulian et al. .... 220/551  
 4,899,928 A 2/1990 Korff ..... 229/120.36  
 5,242,223 A 9/1993 Koves ..... 312/348.3  
 5,292,571 A 3/1994 Quinn ..... 428/178  
 5,489,148 A 2/1996 Grass ..... 312/348.2  
 5,553,710 A 9/1996 Takama ..... 206/561  
 5,607,215 A 3/1997 Pacetti et al. .... 312/348.3  
 5,664,856 A 9/1997 Pacetti ..... 312/348.3  
 5,738,425 A 4/1998 Rosenberg et al. .... 312/348.3  
 5,887,961 A 3/1999 Rosenberg et al. .... 312/348.3  
 D411,070 S 6/1999 Jongwatana  
 6,073,794 A 6/2000 Bidot ..... 220/529  
 D434,637 S \* 12/2000 Habeck ..... D8/349  
 D454,749 S 3/2002 Georgiadis et al.  
 D461,100 S 8/2002 Poarch  
 D467,973 S \* 12/2002 Rosen ..... D19/65  
 6,493,917 B1 12/2002 Sunka ..... 29/413  
 6,648,138 B1 11/2003 Kelly  
 6,695,419 B2 2/2004 Searer et al. .... 312/348.3  
 D494,394 S 8/2004 Leong-Son et al.  
 D498,376 S 11/2004 Christopher  
 6,871,921 B2 3/2005 Ernst ..... 312/348.3  
 6,991,307 B2 1/2006 Hoenig ..... 312/348.3  
 7,066,563 B2 6/2006 Berger ..... 312/348.3  
 7,163,118 B2 1/2007 Cheng ..... 220/528  
 7,172,258 B2 2/2007 Bisson et al. .... 312/348.3  
 D545,906 S \* 7/2007 Wood ..... D13/183  
 D569,230 S \* 5/2008 Terada ..... D8/354  
 D569,231 S \* 5/2008 Terada ..... D8/354  
 7,380,894 B2 6/2008 Berger ..... 312/348.3  
 D631,737 S \* 2/2011 Haas ..... D8/395  
 D631,738 S \* 2/2011 Haas ..... D8/395  
 D647,496 S \* 10/2011 Tung ..... D13/183  
 D650,004 S \* 12/2011 Lawing ..... D17/20  
 D653,075 S 1/2012 Lupkes  
 D660,085 S 5/2012 Boone  
 D660,650 S 5/2012 Moore  
 8,167,150 B2 5/2012 Chu ..... 211/184  
 8,317,040 B2 11/2012 Lanning ..... 211/184  
 D673,391 S 1/2013 Whitehead  
 D676,711 S 2/2013 Toufayan  
 8,397,937 B2 3/2013 Preschke et al. .... 220/529  
 D679,952 S 4/2013 Holding et al.  
 D681,441 S \* 5/2013 Tung ..... D8/343  
 D696,099 S \* 12/2013 Wada ..... D8/354  
 D696,100 S \* 12/2013 Wada ..... D8/354  
 D702,998 S 4/2014 Fugere  
 D705,585 S 5/2014 Kim  
 8,739,453 B1 \* 6/2014 Conner ..... F41A 23/18  
 248/206.5  
 8,833,881 B2 9/2014 Manniso et al. .... 312/348.3

D715,859 S \* 10/2014 Costas ..... D19/86  
 D731,991 S \* 6/2015 Berdud-Teruel ..... D13/183  
 D732,864 S 6/2015 Clouse et al.  
 D755,892 S \* 5/2016 Costas ..... D19/86  
 D758,170 S \* 6/2016 Weber ..... D8/354  
 D759,605 S \* 6/2016 Kimble ..... D13/183  
 D761,602 S 7/2016 Standlee  
 2002/0171344 A1 11/2002 Hollenstein ..... 312/348.3  
 2003/0052582 A1 3/2003 Searer et al. .... 312/348.3  
 2003/0137227 A1 7/2003 Hoenig ..... 312/348.3  
 2003/0164665 A1 9/2003 Guay et al. .... 312/348.3  
 2003/0184199 A1 10/2003 Jananji ..... 312/348.3  
 2004/0144789 A1 7/2004 Cheng ..... 220/529  
 2004/0145287 A1 7/2004 Ernst ..... 312/348.3  
 2004/0149758 A1 8/2004 Duquette ..... 220/520  
 2004/0155564 A1 8/2004 Berger et al. .... 312/348.3  
 2005/0067928 A1 3/2005 Berger et al. .... 312/348.3  
 2005/0072785 A1 4/2005 Cheng ..... 220/528  
 2005/0218763 A1 10/2005 Bisson et al. .... 312/348.1  
 2007/0125357 A1 6/2007 Johnston  
 2007/0246471 A1 10/2007 Hrovat ..... 220/533  
 2007/0273258 A1 11/2007 Ernst ..... 312/348.3  
 2008/0185387 A1 8/2008 Wu ..... 220/510  
 2008/0258593 A1 10/2008 Berger ..... 312/348.3  
 2008/0295976 A1 12/2008 Watanabe ..... 160/131  
 2009/0250574 A1 \* 10/2009 Fullerton ..... G09F 7/04  
 248/206.5  
 2010/0072148 A1 3/2010 Ferry  
 2010/0140197 A1 6/2010 Schneider et al.  
 2010/0170864 A1 7/2010 Chu ..... 211/184  
 2010/0301052 A1 12/2010 Preschke et al. .... 220/529  
 2012/0205335 A1 8/2012 Abdullahi ..... 211/184  
 2013/0063013 A1 3/2013 Chen ..... 312/348.3  
 2013/0063014 A1 3/2013 Chen ..... 312/348.3  
 2013/0082020 A1 4/2013 Denny ..... 211/184  
 2013/0336718 A1 \* 12/2013 Jeon ..... F16B 12/44  
 403/359.1  
 2014/0202644 A1 7/2014 Maltais ..... 160/184  
 2014/0210331 A1 7/2014 Tunzi ..... 312/404  
 2015/0359358 A1 12/2015 Miller, Jr. et al.

OTHER PUBLICATIONS

U.S. Appl. No. 29/517,737, filed Feb. 16, 2015, Jackson.  
 U.S. Appl. No. 29/517,745, filed Feb. 16, 2015, Jackson.  
 U.S. Appl. No. 29/517,747, filed Feb. 16, 2015, Jackson.  
 U.S. Appl. No. 29/517,749, filed Feb. 16, 2015, Jackson.  
 U.S. Appl. No. 29/517,751, filed Feb. 16, 2015, Jackson.  
 Notice of References Cited received in related U.S. Appl. No. 29/517,745, dated Aug. 25, 2016 (2 pages).  
 Notice of References Cited received in related U.S. Appl. No. 29/517,747, dated Aug. 23, 2016 (2 pages).  
 Notice of References Cited received in related U.S. Appl. No. 29/517,749, dated Aug. 24, 2016 (2 pages).  
 Notice of References Cited received in related U.S. Appl. No. 29/517,751, dated Aug. 23, 2016 (2 pages).

\* cited by examiner



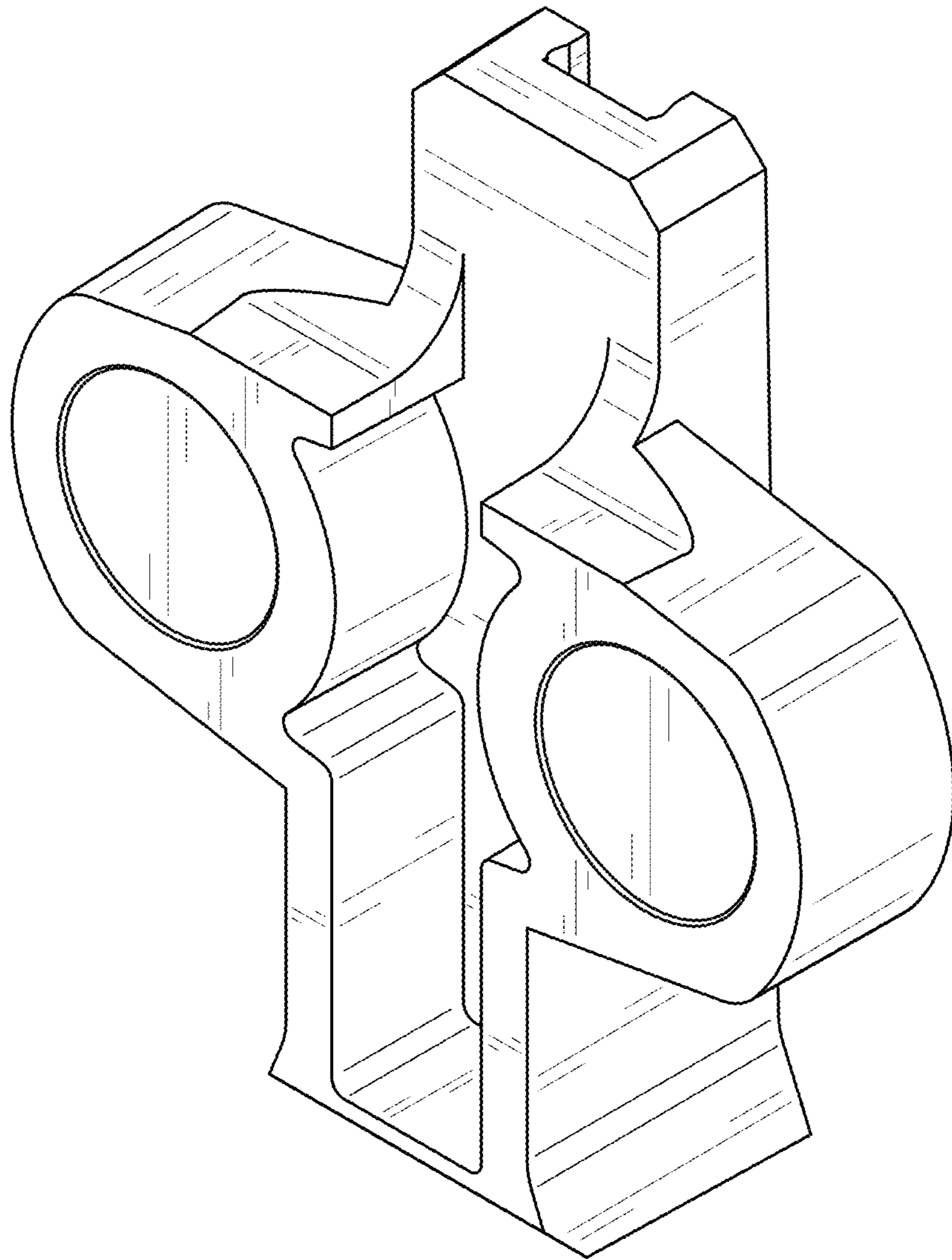


FIG. 1

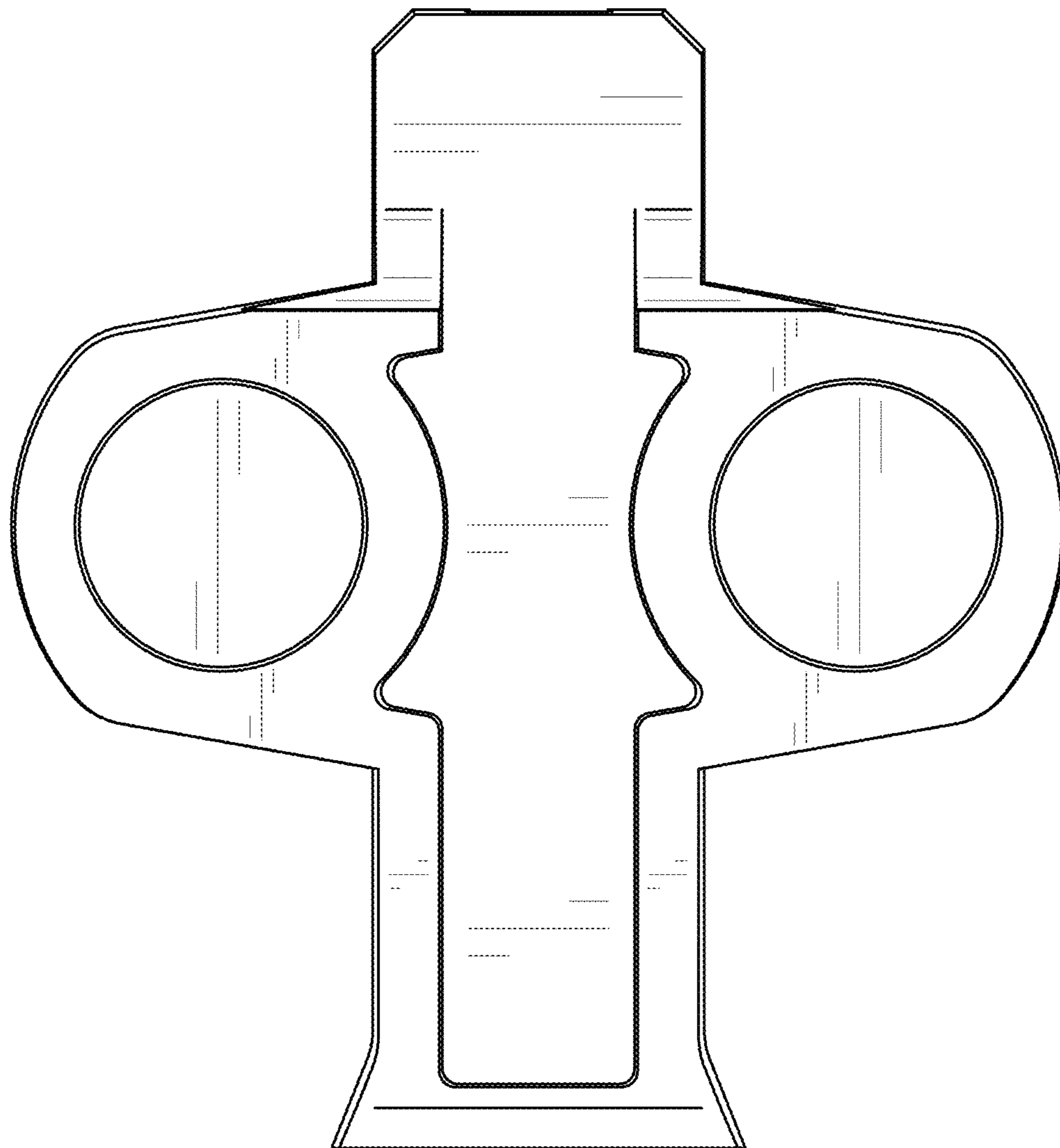


FIG. 2

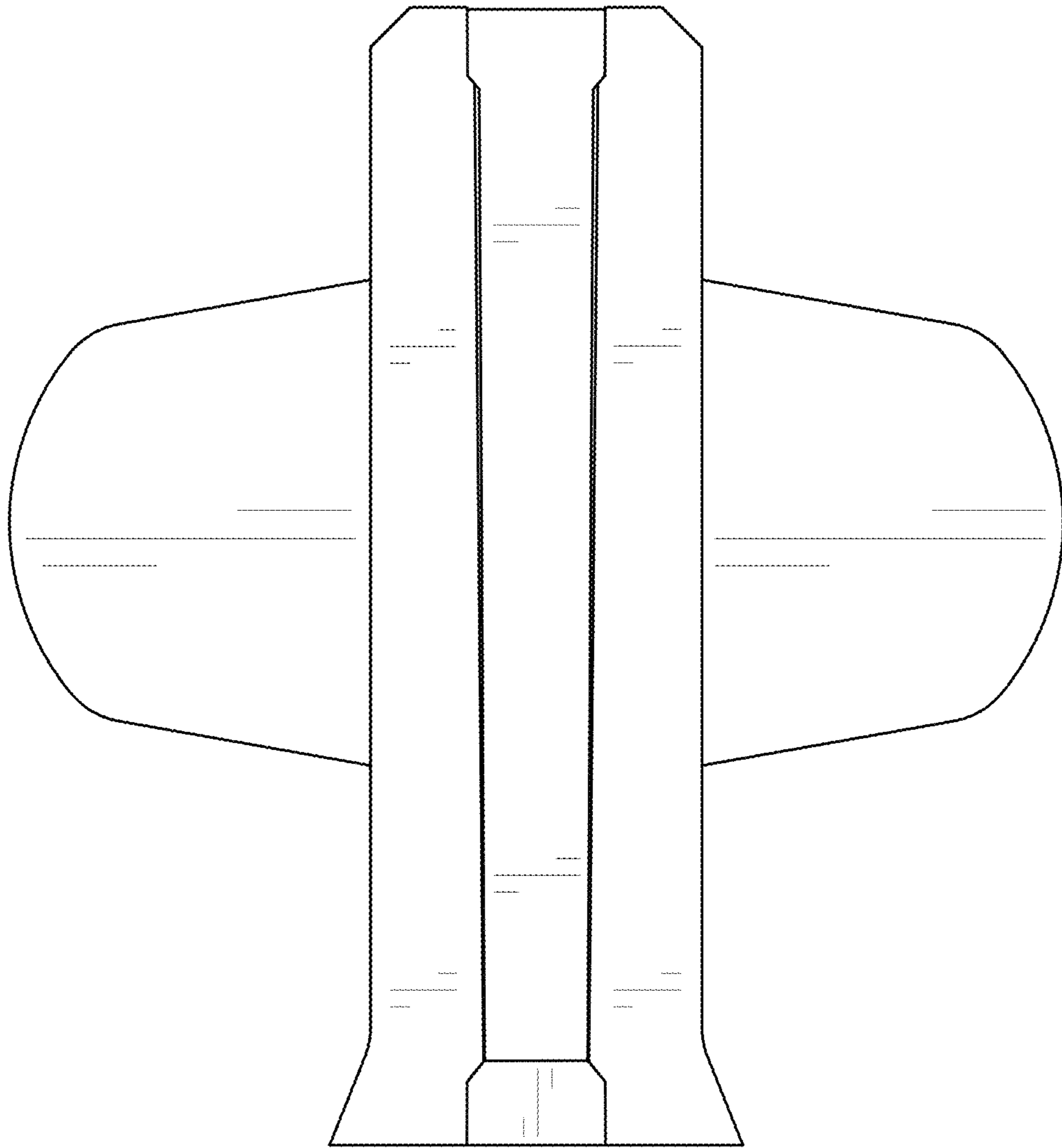


FIG. 3

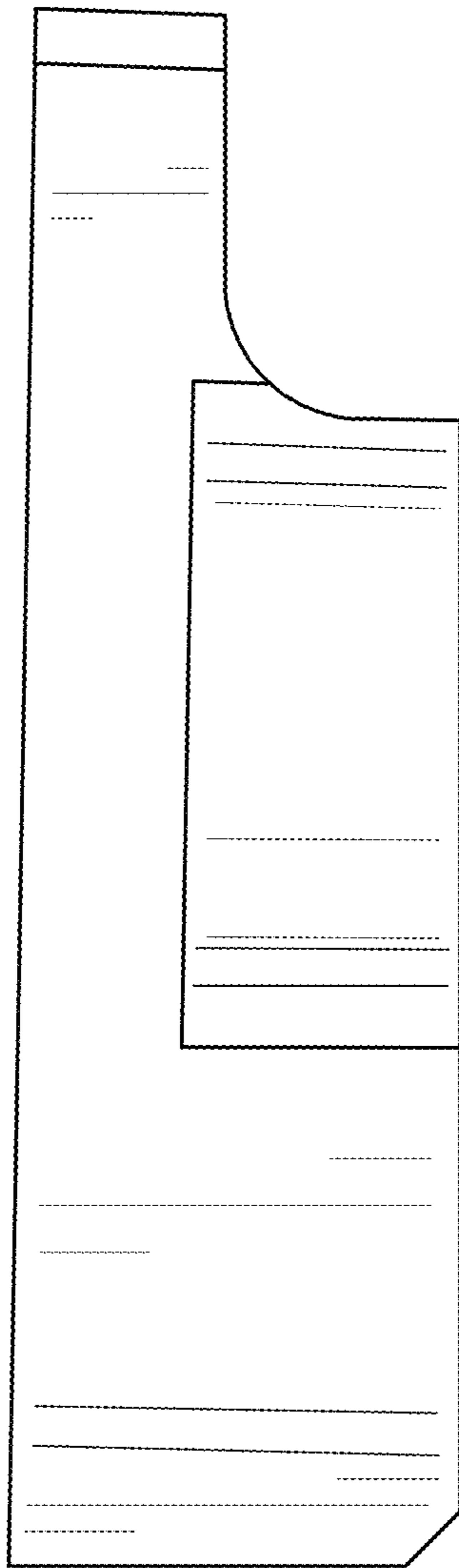


FIG. 4

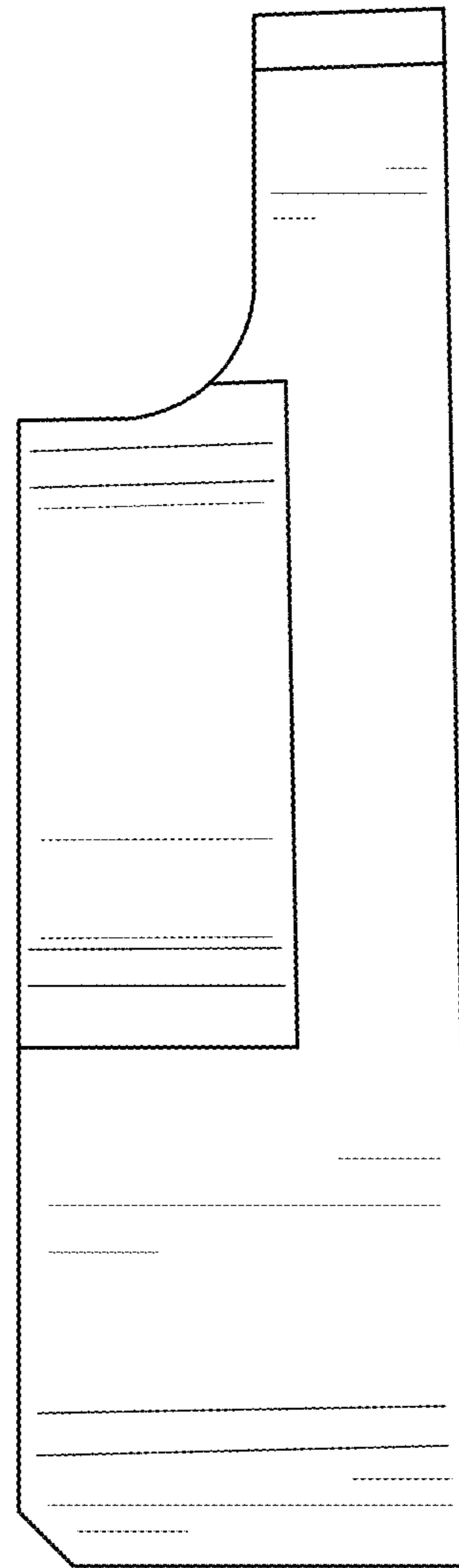


FIG. 5

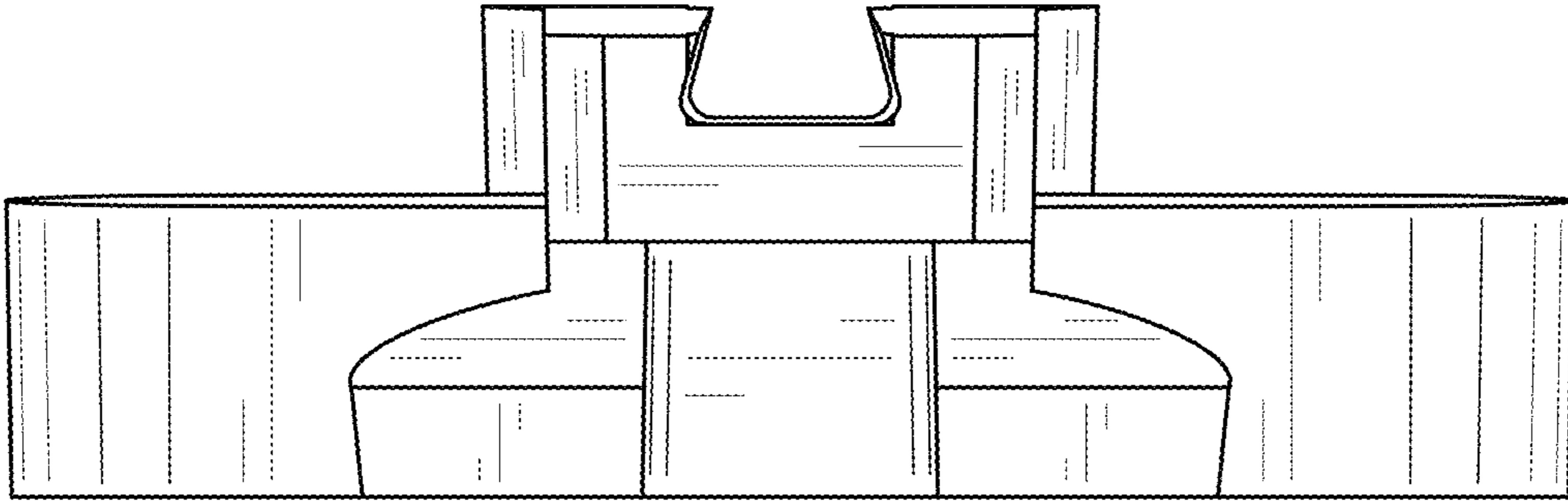


FIG. 6

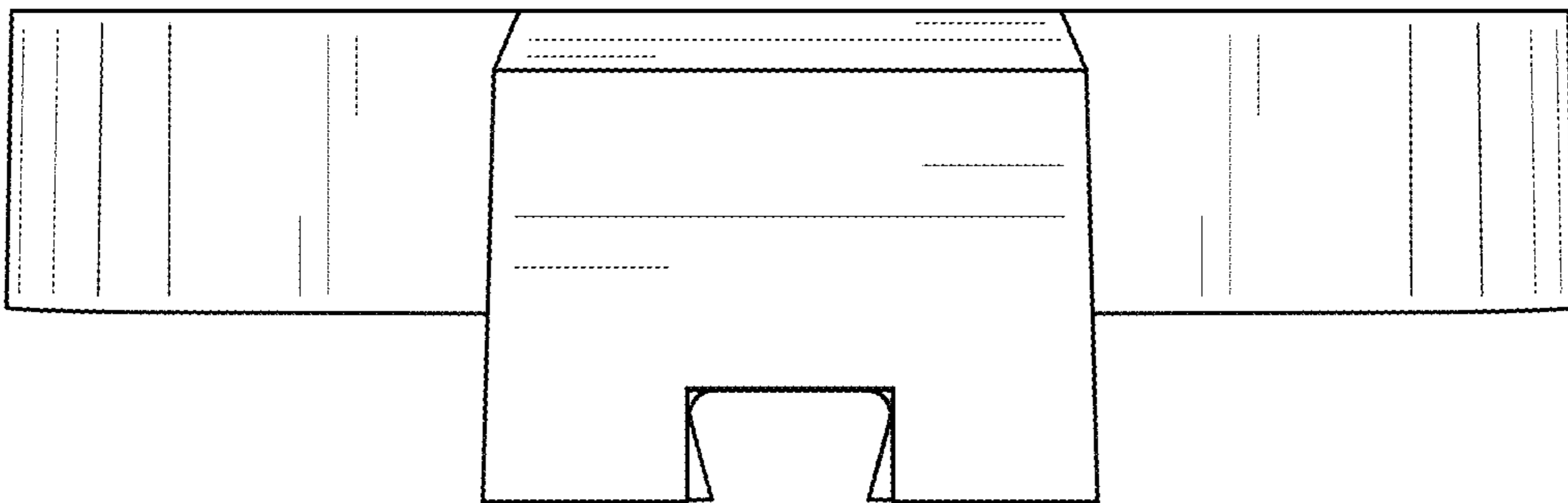


FIG. 7