



US00D778650S

(12) **United States Design Patent** (10) **Patent No.:** **US D778,650 S**
Jackson (45) **Date of Patent:** **** Feb. 14, 2017**

(54) **MAGNETIC DRAWER DIVIDER PIECE**
(71) Applicant: **HOME DEPOT PRODUCT AUTHORITY, LLC**, Atlanta, GA (US)
(72) Inventor: **Nicholas Jackson**, Atlanta, GA (US)
(73) Assignee: **Home Depot Product Authority, LLC**, Atlanta, GA (US)

(**) Term: **14 Years**
(21) Appl. No.: **29/517,737**

(22) Filed: **Feb. 16, 2015**
(51) **LOC (10) Cl.** **06-06**
(52) **U.S. Cl.**
USPC **D6/706**
(58) **Field of Classification Search**
USPC D6/702, 705-706; D8/354, 382, 349;
446/135; 40/600, 621
CPC Y10T 24/32; A44D 2203/00; G09F 7/20;
G09F 7/04
See application file for complete search history.

(56) **References Cited**
U.S. PATENT DOCUMENTS

1,549,279 A	8/1925	Taussig	312/140
1,620,737 A	3/1927	Peterson	217/24
1,676,373 A	7/1928	Woltz	403/283
1,677,544 A	7/1928	Brainard et al.	312/117
1,747,390 A	2/1930	Robb	217/23
1,823,285 A	9/1931	Petrtsch	220/532
1,940,048 A	12/1932	Cutler	312/304
1,893,186 A	1/1933	Thomas, Jr. et al.	312/304
1,919,568 A	7/1933	McCosh	220/529
2,082,667 A	6/1937	Vanderveld	403/345
2,101,378 A	12/1937	Wiskoff	220/532
2,144,804 A	1/1939	Irwin et al.	217/7
2,148,681 A	2/1939	Cameron	220/551
2,214,042 A	9/1940	Burdick	220/553

2,268,637 A	1/1942	Bernstein	217/31
2,459,561 A	1/1949	Yawman	220/529
2,504,466 A	4/1950	Stolzoff	211/11
2,640,621 A	6/1953	Mokin	220/674
2,681,730 A	6/1954	Carne	206/0.83
2,743,774 A	5/1956	Pinto	160/351
2,747,959 A	5/1956	Ingelson	312/140.3
2,824,349 A	2/1958	Baldacci	217/24
3,067,903 A	12/1962	Jones, Jr.	220/552
3,140,791 A	7/1964	Reiss, Sr. et al.	217/7
3,279,642 A	10/1966	Kafferlin	220/544
3,410,445 A	11/1968	Pilley	220/533
3,680,177 A	8/1972	Ginsberg	220/533
3,710,974 A	1/1973	Hage	220/541
3,892,451 A	7/1975	Bruins	312/348.3
3,954,202 A	5/1976	Petrick	220/533

(Continued)

OTHER PUBLICATIONS

U.S. Appl. No. 29/517,731, filed Feb. 16, 2015, Jackson.
(Continued)

Primary Examiner — Rosemary K Tarcza
Assistant Examiner — James Thorn, Sr.
(74) *Attorney, Agent, or Firm* — Greenberg Traurig, LLP

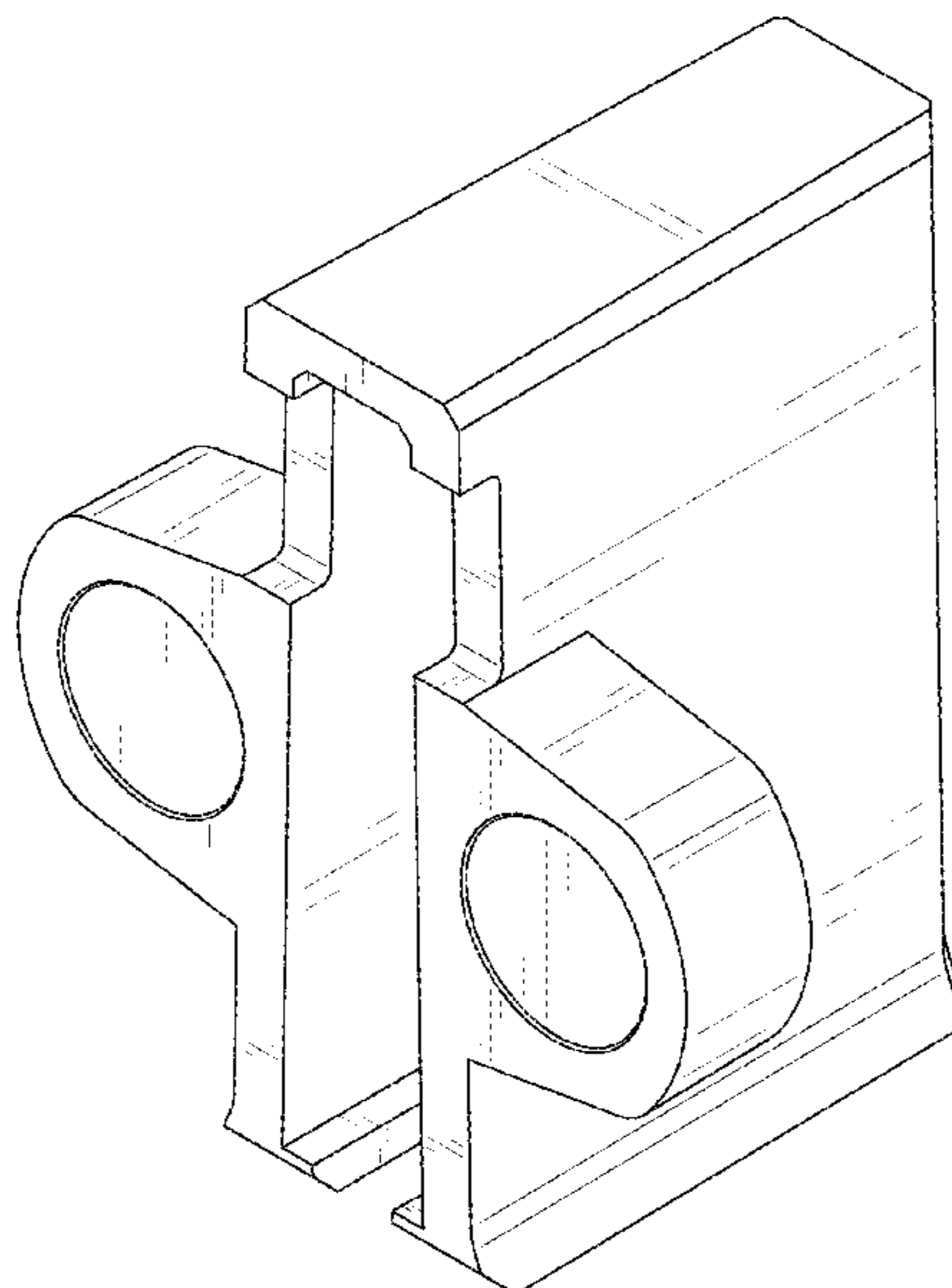
(57) **CLAIM**

The ornamental design for a magnetic drawer divider piece, as shown and described.

DESCRIPTION

FIG. 1 is a perspective view of a magnetic drawer divider piece;
FIG. 2 is a front view thereof;
FIG. 3 is a rear view thereof;
FIG. 4 is a left side view thereof;
FIG. 5 is a right side view thereof;
FIG. 6 is a top view thereof; and,
FIG. 7 is a bottom view thereof.

1 Claim, 7 Drawing Sheets



(56)

References Cited

U.S. PATENT DOCUMENTS

4,081,100 A 3/1978 Presby 220/544
 4,258,856 A 3/1981 Marling 220/552
 D259,395 S * 6/1981 Sugawara D8/402
 4,478,337 A 10/1984 Flum
 4,648,524 A 3/1987 Ackermann 220/507
 4,889,253 A 12/1989 Schmulian et al. 220/551
 4,899,928 A 2/1990 Korff 229/120.36
 5,242,223 A 9/1993 Koves 312/348.3
 5,292,571 A 3/1994 Quinn 428/178
 5,489,148 A 2/1996 Grass 312/348.2
 5,553,710 A 9/1996 Takama 206/561
 5,607,215 A 3/1997 Pacetti et al. 312/348.3
 5,664,856 A 9/1997 Pacetti 312/348.3
 5,738,425 A 4/1998 Rosenberg et al. 312/348.3
 5,887,961 A 3/1999 Rosenberg et al. 312/348.3
 D411,070 S 6/1999 Jongwatana
 6,073,794 A 6/2000 Bidot 220/529
 D434,637 S * 12/2000 Habeck D8/349
 D454,749 S 3/2002 Georgiadis et al.
 D461,100 S 8/2002 Poarch
 D467,973 S * 12/2002 Rosen D19/65
 6,493,917 B1 12/2002 Sunka 29/413
 6,648,138 B1 11/2003 Kelly
 6,695,419 B2 2/2004 Searer et al. 312/348.3
 D494,394 S 8/2004 Leong-Son et al.
 D498,376 S 11/2004 Christopher
 6,871,921 B2 3/2005 Ernst 312/348.3
 6,991,307 B2 1/2006 Hoenig 312/348.3
 7,066,563 B2 6/2006 Berger 312/348.3
 7,163,118 B2 1/2007 Cheng 220/528
 7,172,258 B2 2/2007 Bisson et al. 312/348.3
 D545,906 S * 7/2007 Wood D13/183
 D569,230 S * 5/2008 Terada D8/354
 D569,231 S * 5/2008 Terada D8/354
 7,380,894 B2 6/2008 Berger 312/348.3
 D631,737 S * 2/2011 Haas D8/395
 D631,738 S * 2/2011 Haas D8/395
 D647,496 S * 10/2011 Tung D13/183
 D650,004 S * 12/2011 Lawing D17/20
 D653,075 S 1/2012 Lupkes
 D660,085 S 5/2012 Boone
 D660,650 S 5/2012 Moore
 8,167,150 B2 5/2012 Chu 211/184
 8,317,040 B2 11/2012 Lanning 211/184
 D673,391 S 1/2013 Whitehead
 D676,711 S 2/2013 Toufayan
 8,397,937 B2 3/2013 Preschke et al. 220/529
 D679,952 S 4/2013 Holding et al.
 D681,441 S * 5/2013 Tung D8/343
 D696,099 S * 12/2013 Wada D8/354
 D696,100 S * 12/2013 Wada D8/354
 D702,998 S 4/2014 Fugere
 D705,585 S 5/2014 Kim
 8,739,453 B1 * 6/2014 Conner F41A 23/18
 248/206.5
 8,833,881 B2 9/2014 Manniso et al. 312/348.3

D715,859 S * 10/2014 Costas D19/86
 D731,991 S * 6/2015 Berdud-Teruel D13/183
 D732,864 S 6/2015 Clouse et al.
 D755,892 S * 5/2016 Costas D19/86
 D758,170 S * 6/2016 Weber D8/354
 D759,605 S * 6/2016 Kimble D13/183
 D761,602 S 7/2016 Standlee
 2002/0171344 A1 11/2002 Hollenstein 312/348.3
 2003/0052582 A1 3/2003 Searer et al. 312/348.3
 2003/0137227 A1 7/2003 Hoenig 312/348.3
 2003/0164665 A1 9/2003 Guay et al. 312/348.3
 2003/0184199 A1 10/2003 Jananji 312/348.3
 2004/0144789 A1 7/2004 Cheng 220/529
 2004/0145287 A1 7/2004 Ernst 312/348.3
 2004/0149758 A1 8/2004 Duquette 220/520
 2004/0155564 A1 8/2004 Berger et al. 312/348.3
 2005/0067928 A1 3/2005 Berger et al. 312/348.3
 2005/0072785 A1 4/2005 Cheng 220/528
 2005/0218763 A1 10/2005 Bisson et al. 312/348.1
 2007/0125357 A1 6/2007 Johnston
 2007/0246471 A1 10/2007 Hrovat 220/533
 2007/0273258 A1 11/2007 Ernst 312/348.3
 2008/0185387 A1 8/2008 Wu 220/510
 2008/0258593 A1 10/2008 Berger 312/348.3
 2008/0295976 A1 12/2008 Watanabe 160/31
 2009/0250574 A1 * 10/2009 Fullerton G09F 7/04
 248/206.5
 2010/0072148 A1 3/2010 Ferry
 2010/0140197 A1 6/2010 Schneider et al.
 2010/0170864 A1 7/2010 Chu 211/184
 2010/0301052 A1 12/2010 Preschke et al. 220/529
 2012/0205335 A1 8/2012 Abdullahi 211/184
 2013/0063013 A1 3/2013 Chen 312/348.3
 2013/0063014 A1 3/2013 Chen 312/348.3
 2013/0082020 A1 4/2013 Denny 211/184
 2013/0336718 A1 * 12/2013 Jeon F16B 12/44
 403/359.1
 2014/0202644 A1 7/2014 Maltais 160/184
 2014/0210331 A1 7/2014 Tunzi 312/404
 2015/0359358 A1 12/2015 Miller, Jr. et al.

OTHER PUBLICATIONS

U.S. Appl. No. 29/517,742, filed Feb. 16, 2015, Jackson.
 U.S. Appl. No. 29/517,745, filed Feb. 16, 2015, Jackson.
 U.S. Appl. No. 29/517,747, filed Feb. 16, 2015, Jackson.
 U.S. Appl. No. 29/517,749, filed Feb. 16, 2015, Jackson.
 U.S. Appl. No. 29/517,751, filed Feb. 16, 2015, Jackson.
 Notice of References Cited received in related U.S. Appl. No. 29/517,745, dated Aug. 25, 2016 (2 pages).
 Notice of References Cited received in related U.S. Appl. No. 29/517,747, dated Aug. 23, 2016 (2 pages).
 Notice of References Cited received in related U.S. Appl. No. 29/517,749, dated Aug. 24, 2016 (2 pages).
 Notice of References Cited received in related U.S. Appl. No. 29/517,751, dated Aug. 23, 2016 (2 pages).

* cited by examiner

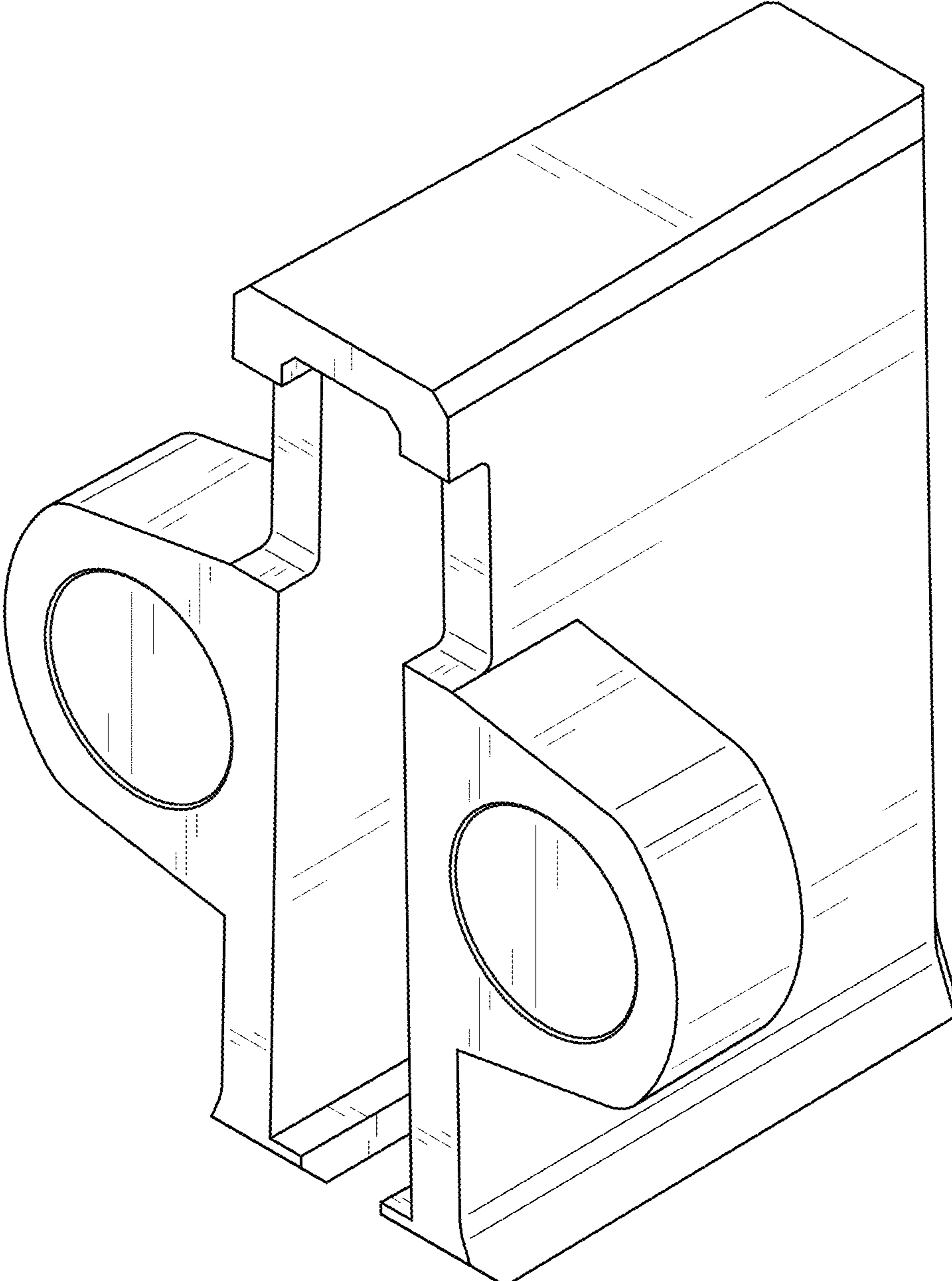


FIG. 1

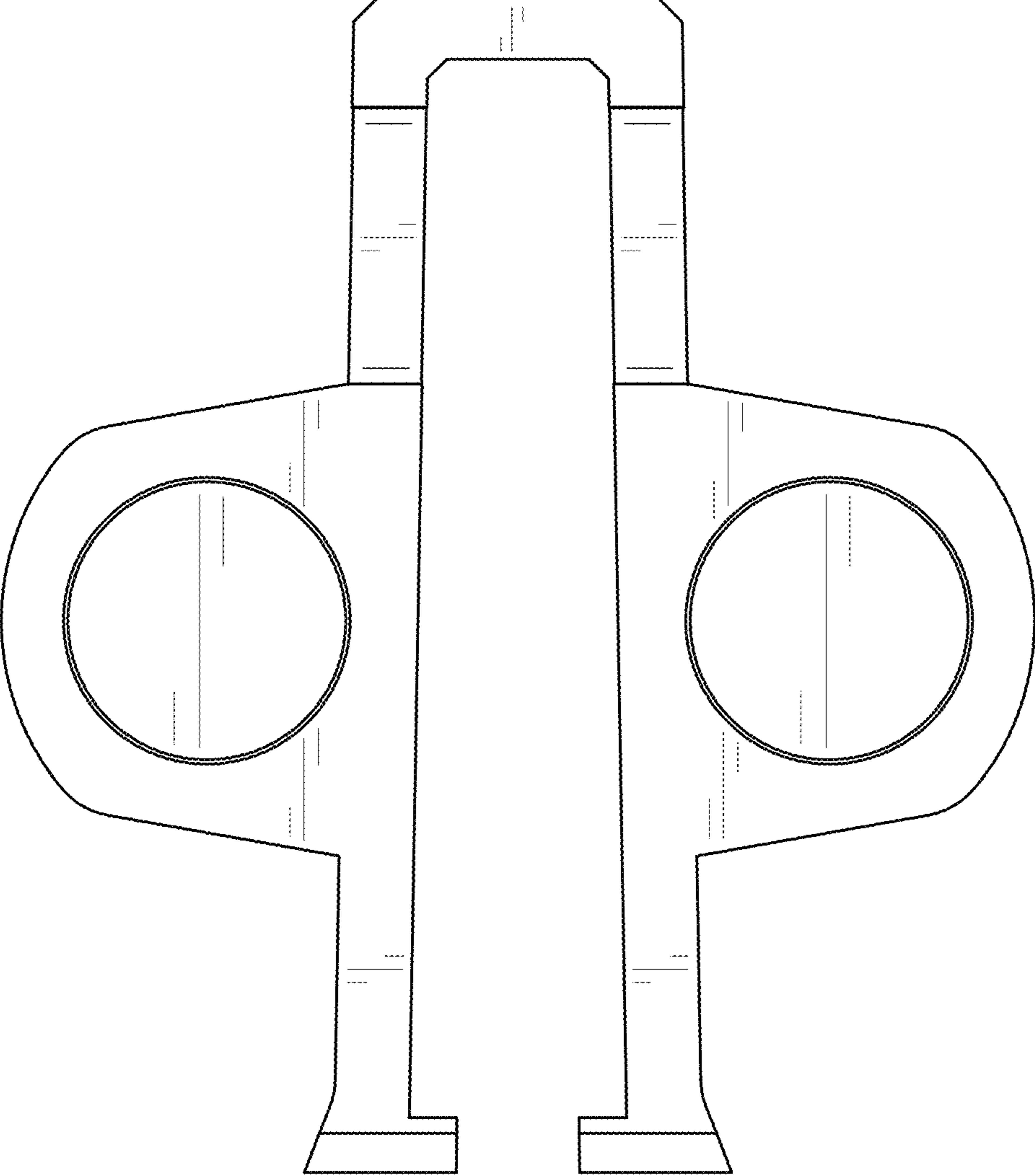


FIG. 2

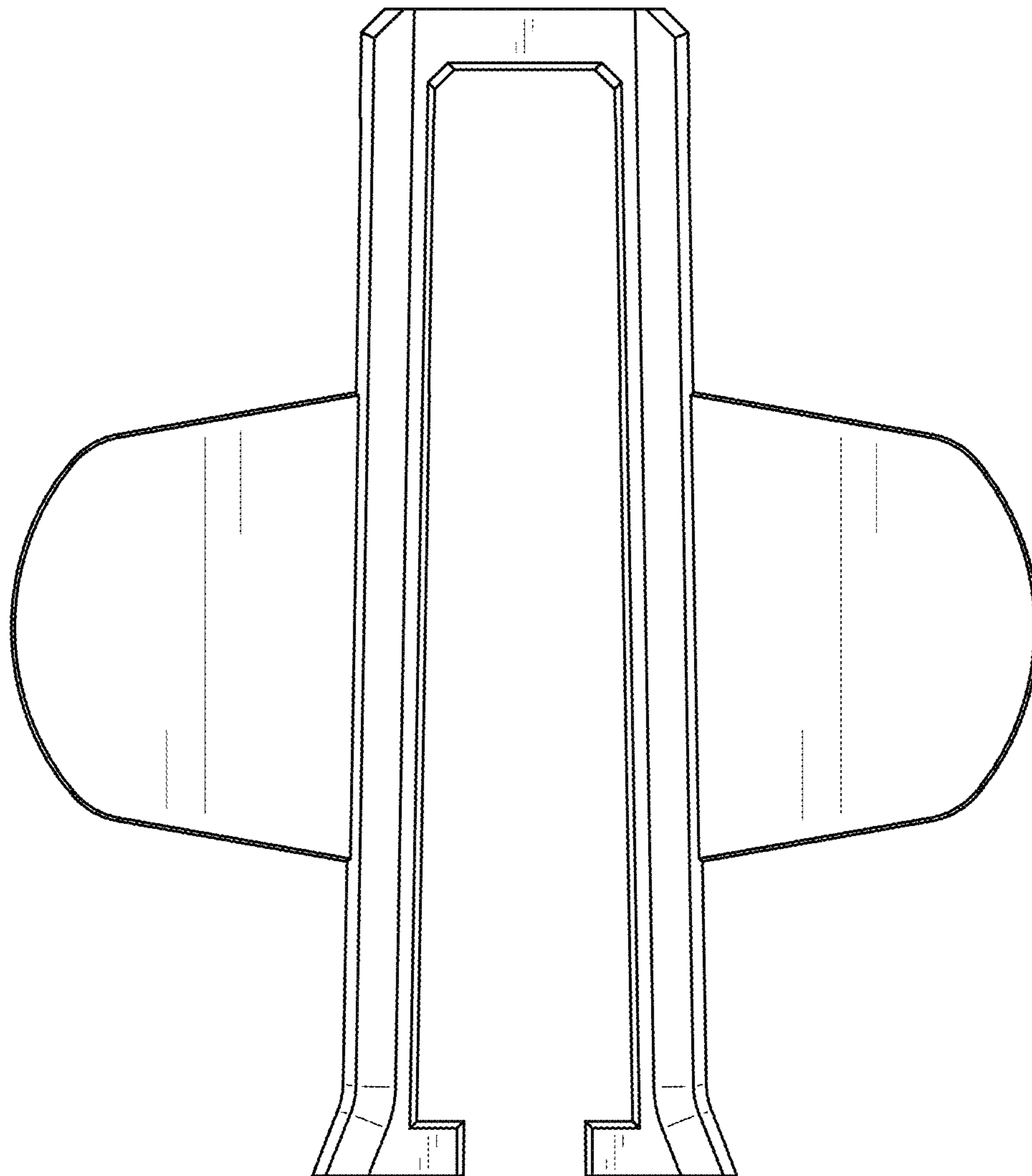


FIG. 3

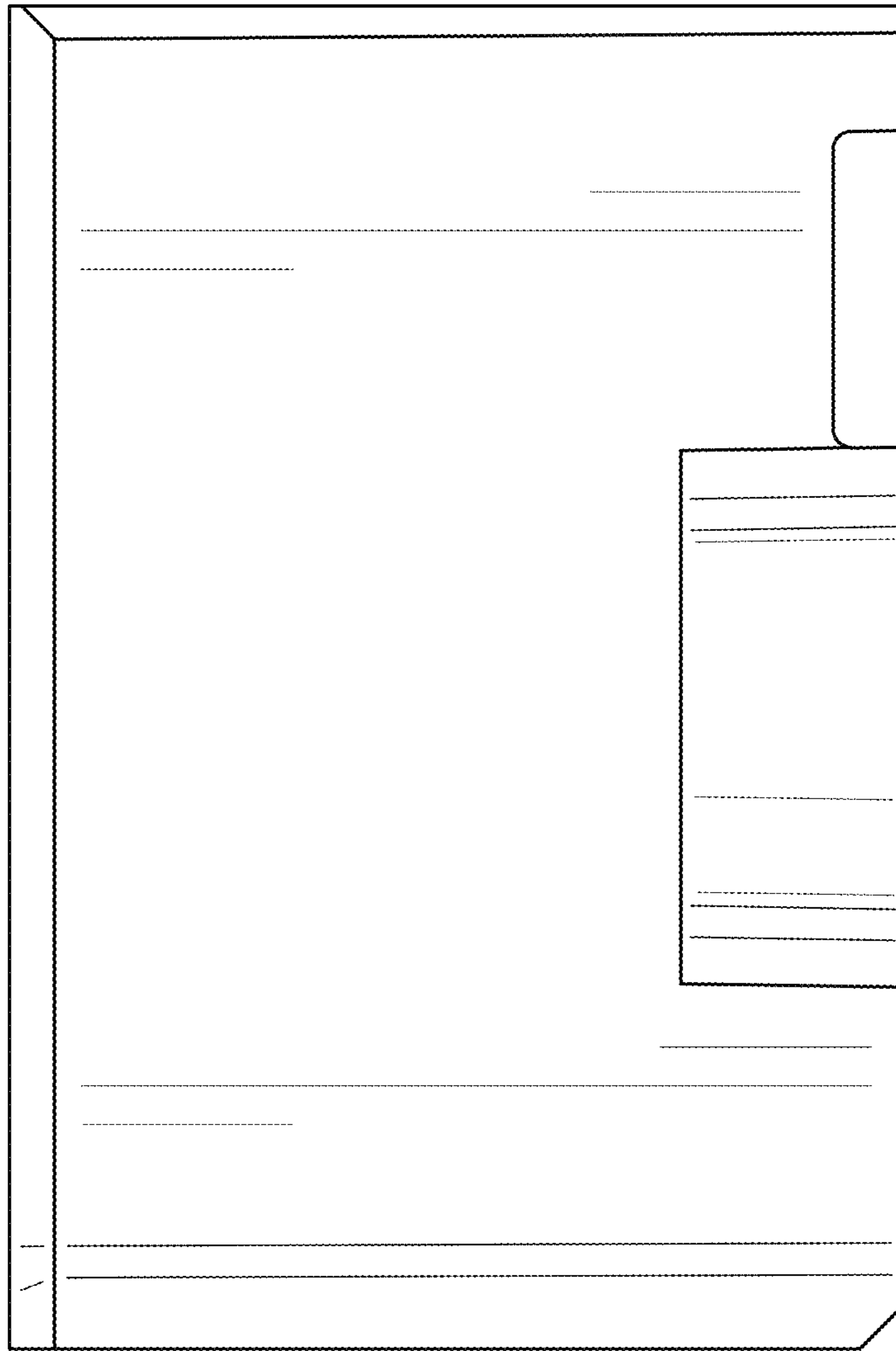


FIG. 4

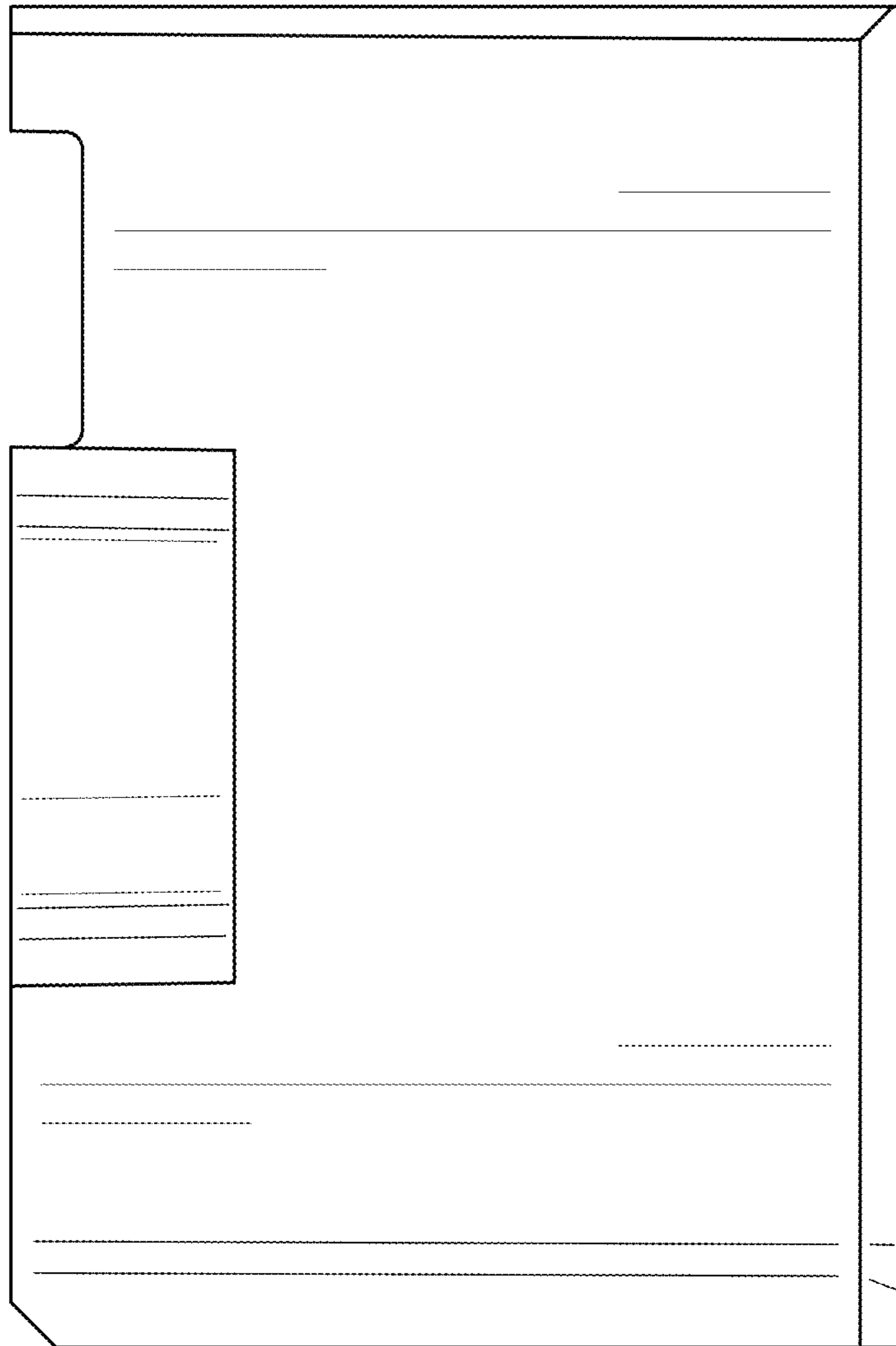


FIG. 5

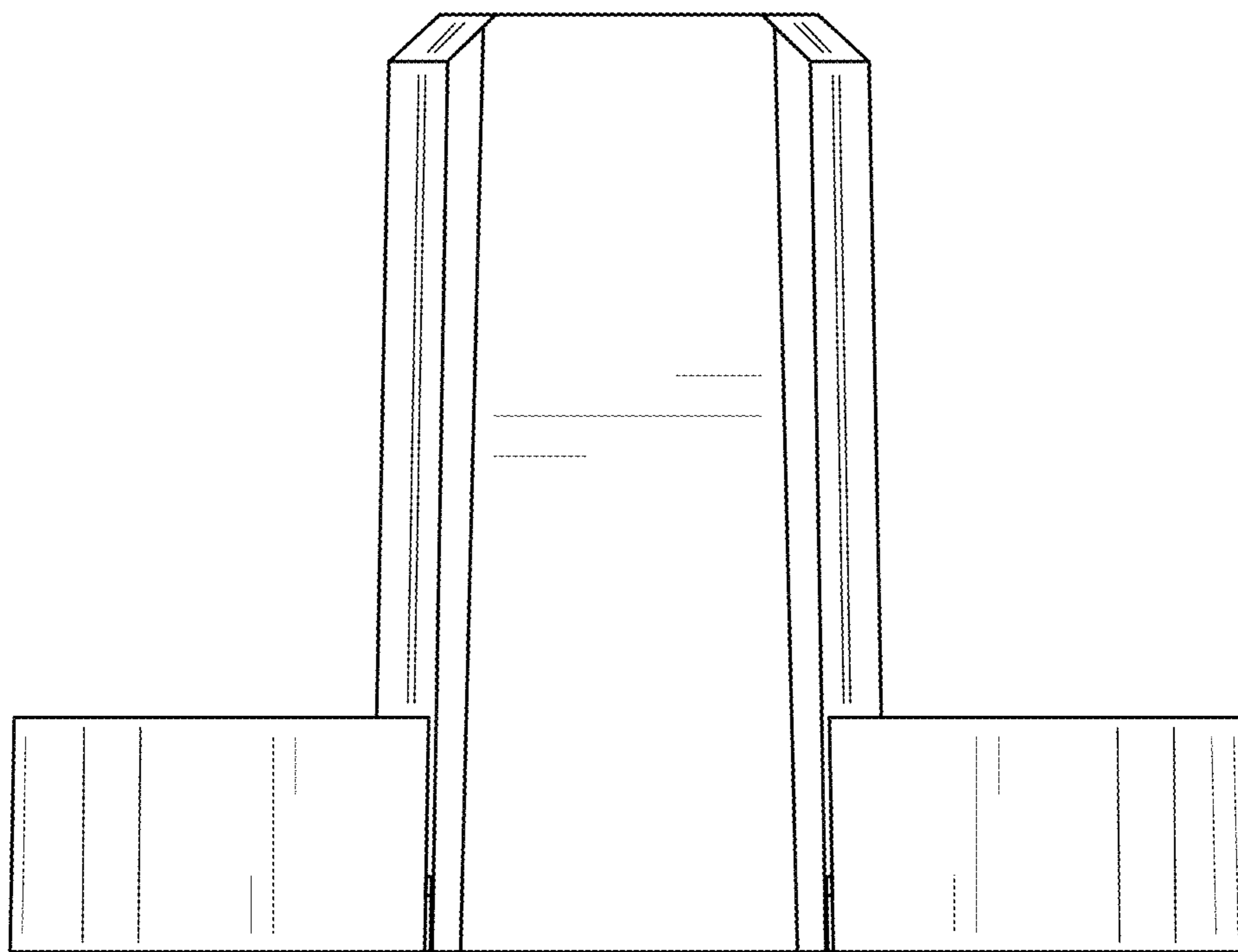


FIG. 6

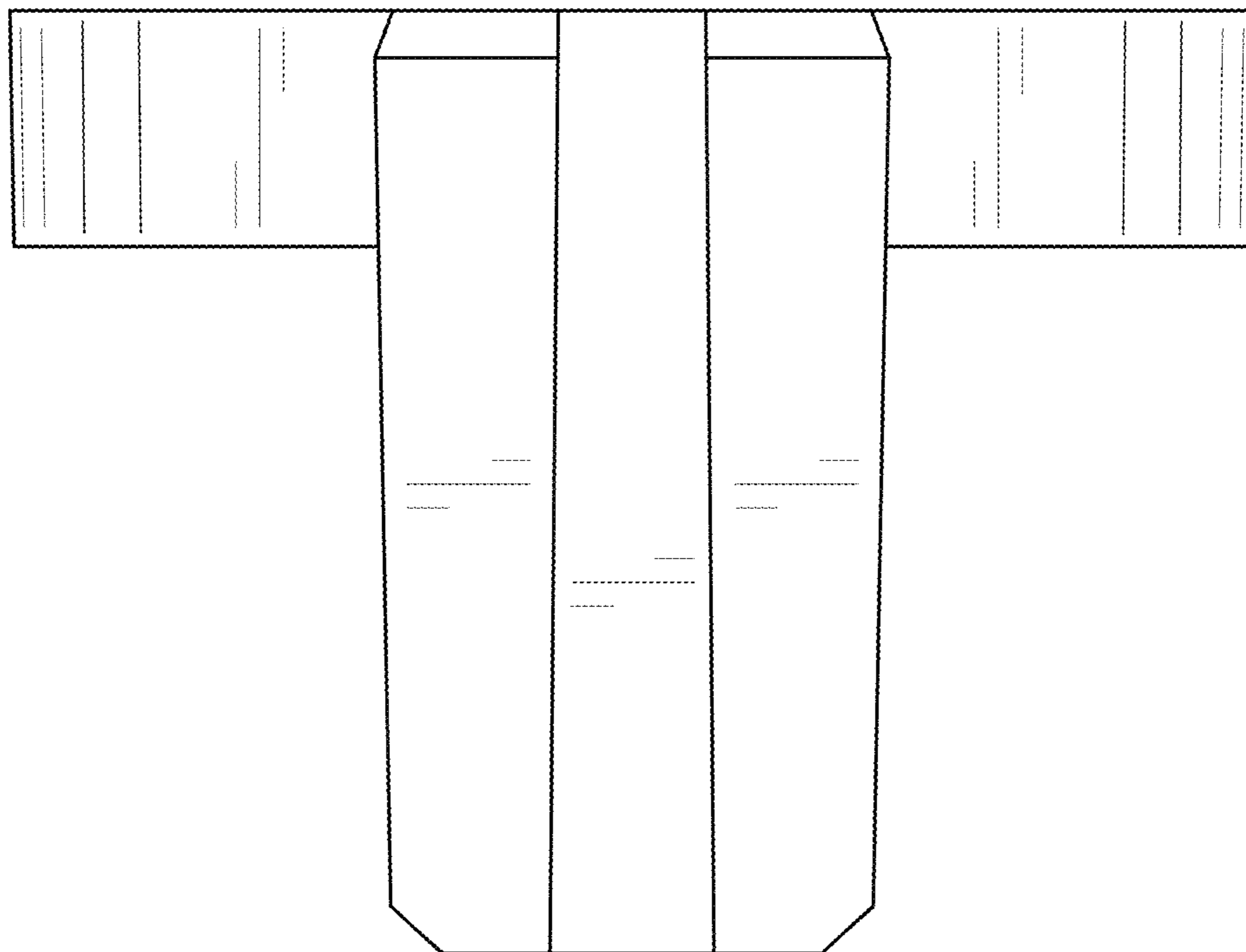


FIG. 7