



US00D778649S

(12) **United States Design Patent** (10) **Patent No.:** **US D778,649 S**
Jackson (45) **Date of Patent:** **** Feb. 14, 2017**

(54) **MAGNETIC DRAWER DIVIDER PIECE**
(71) Applicant: **HOME DEPOT PRODUCT AUTHORITY, LLC**, Atlanta, GA (US)
(72) Inventor: **Nicholas Jackson**, Atlanta, GA (US)
(73) Assignee: **Home Depot Product Authority, LLC**, Atlanta, GA (US)

2,268,637 A 1/1942 Bernstein 217/31
2,459,561 A 1/1949 Yawman 220/529
2,504,466 A 4/1950 Stolzoff 211/11
2,640,621 A 6/1953 Mokin 220/674
2,681,730 A 6/1954 Carne 206/0.83
2,743,774 A 5/1956 Pinto 160/351
2,747,959 A 5/1956 Ingelson 312/140.3
2,824,349 A 2/1958 Baldacci 217/24
3,067,903 A 12/1962 Jones, Jr. 220/552
3,140,791 A 7/1964 Reiss, Sr. et al. 217/7
3,279,642 A 10/1966 Kafferlin 220/544

(**) Term: **14 Years**

(21) Appl. No.: **29/517,731**

(22) Filed: **Feb. 16, 2015**

(51) **LOC (10) Cl.** **06-06**

(52) **U.S. Cl.**
USPC **D6/706**

(58) **Field of Classification Search**
USPC D6/702, 705-706; D8/354, 382, 349;
446/135; 40/600, 621
CPC Y10T 24/32; A44D 2203/00; G09F 7/20;
G09F 7/04
See application file for complete search history.

(56) **References Cited**

U.S. PATENT DOCUMENTS

1,549,279 A 8/1925 Taussig 312/140
1,620,737 A 3/1927 Peterson 217/24
1,676,373 A 7/1928 Woltz 403/283
1,677,544 A 7/1928 Brainard et al. 312/117
1,747,390 A 2/1930 Robb 217/23
1,823,285 A 9/1931 Petritsch 220/532
1,940,048 A 12/1932 Cutler 312/304
1,893,186 A 1/1933 Thomas, Jr. et al. 312/304
1,919,568 A 7/1933 McCosh 220/529
2,082,667 A 6/1937 Vanderveld 403/345
2,101,378 A 12/1937 Wiskoff 220/532
2,144,804 A 1/1939 Irwin et al. 217/7
2,148,681 A 2/1939 Cameron 220/551
2,214,042 A 9/1940 Burdick 220/553

OTHER PUBLICATIONS

U.S. Appl. No. 29/517,737, filed Feb. 16, 2015, Jackson.
(Continued)

Primary Examiner — Rosemary K Tarcza
Assistant Examiner — James Thorn, Sr.
(74) *Attorney, Agent, or Firm* — Greenberg Traurig, LLP

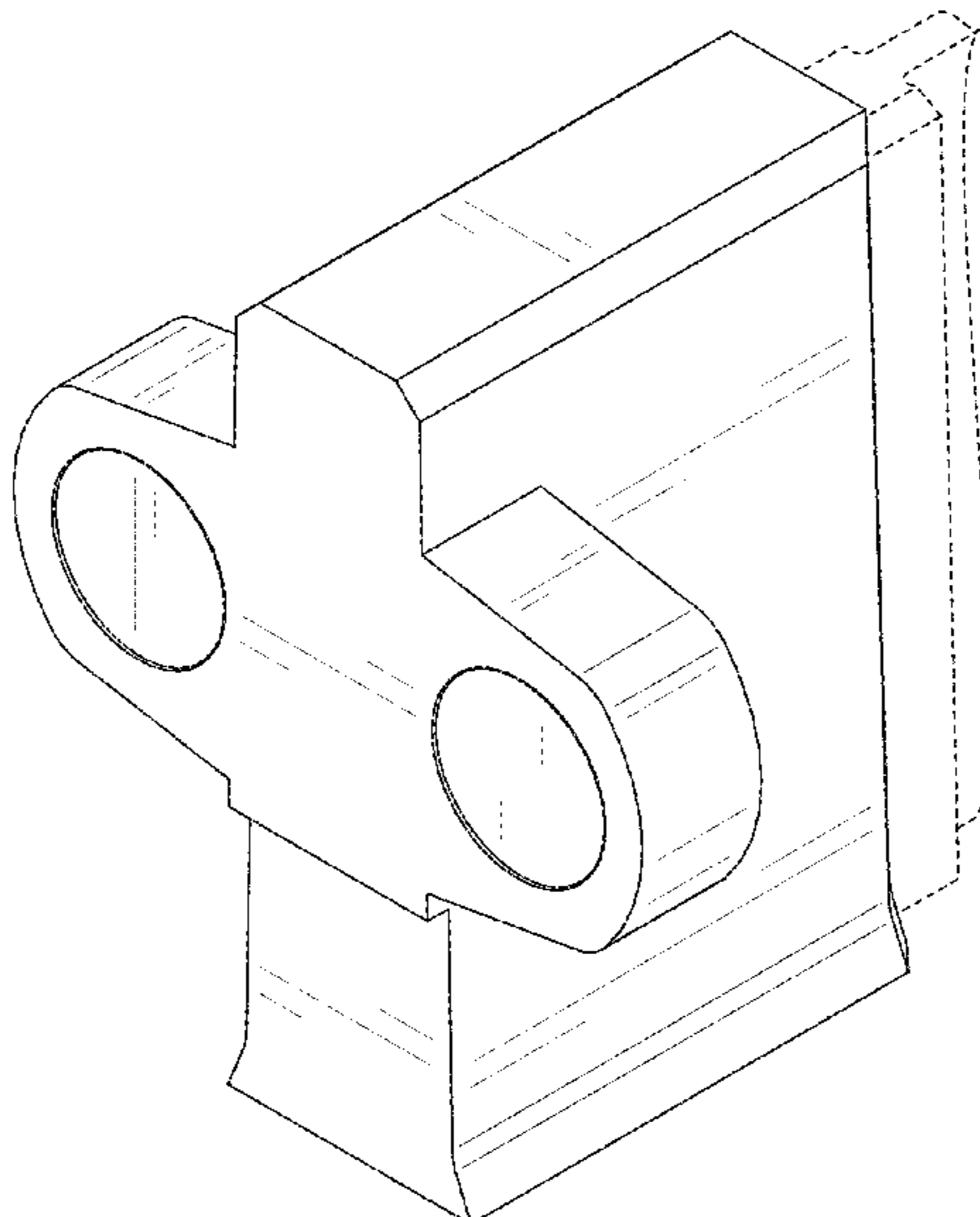
(57) **CLAIM**

The ornamental design for a magnetic drawer divider piece, as shown and described.

DESCRIPTION

FIG. 1 is a perspective view of a magnetic drawer divider piece;
FIG. 2 is a front view thereof;
FIG. 3 is a rear view thereof;
FIG. 4 is a left side view thereof;
FIG. 5 is a right side view thereof;
FIG. 6 is a top view thereof; and,
FIG. 7 is a bottom view thereof.
The dashed line joining to solid line segments that is vertically oriented in FIG. 7 is a boundary line for my design. All other dashed lines in the figures represent environmental structure that forms no part of the claimed design.

1 Claim, 7 Drawing Sheets



(56)

References Cited

U.S. PATENT DOCUMENTS		
3,410,445	A	11/1968 Pilley 220/533
3,680,177	A	8/1972 Ginsberg 220/533
3,710,974	A	1/1973 Hage 220/541
3,892,451	A	7/1975 Bruins 312/348.3
3,954,202	A	5/1976 Petrick 220/533
4,081,100	A	3/1978 Presby 220/544
4,258,856	A	3/1981 Marling 220/552
D259,395	S *	6/1981 Sugawara D8/402
4,478,337	A	10/1984 Flum
4,648,524	A	3/1987 Ackermann 220/507
4,889,253	A	12/1989 Schmulian et al. 220/551
4,899,928	A	2/1990 Korff 229/120.36
5,242,223	A	9/1993 Koves 312/348.3
5,292,571	A	3/1994 Quinn 428/178
5,489,148	A	2/1996 Grass 312/348.2
5,553,710	A	9/1996 Takama 206/561
5,607,215	A	3/1997 Pacetti et al. 312/348.3
5,664,856	A	9/1997 Pacetti 312/348.3
5,738,425	A	4/1998 Rosenberg et al. 312/348.3
5,887,961	A	3/1999 Rosenberg et al. 312/348.3
D411,070	S	6/1999 Jongwatana
6,073,794	A	6/2000 Bidot 220/529
D434,637	S *	12/2000 Habeck D8/349
D454,749	S	3/2002 Georgiadis et al.
D461,100	S	8/2002 Poarch
D467,973	S *	12/2002 Rosen D19/65
6,493,917	B1	12/2002 Sunka 29/413
6,648,138	B1	11/2003 Kelly
6,695,419	B2	2/2004 Searer et al. 312/348.3
D494,394	S	8/2004 Leong-Son et al.
D498,376	S	11/2004 Christopher
6,871,921	B2	3/2005 Ernst 312/348.3
6,991,307	B2	1/2006 Hoenig 312/348.3
7,066,563	B2	6/2006 Berger 312/348.3
7,163,118	B2	1/2007 Cheng 220/528
7,172,258	B2	2/2007 Bisson et al. 312/348.3
D545,906	S *	7/2007 Wood D13/183
D569,230	S *	5/2008 Terada D8/354
D569,231	S *	5/2008 Terada D8/354
7,380,894	B2	6/2008 Berger 312/348.3
D631,737	S *	2/2011 Haas D8/395
D631,738	S *	2/2011 Haas D8/395
D647,496	S *	10/2011 Tung D13/183
D650,004	S *	12/2011 Lawing D17/20
D653,075	S	1/2012 Lupkes
D660,085	S	5/2012 Boone
D660,650	S	5/2012 Moore
8,167,150	B2	5/2012 Chu 211/184
8,317,040	B2	11/2012 Lanning 211/184
D673,391	S	1/2013 Whitehead
D676,711	S	2/2013 Toufayan
8,397,937	B2	3/2013 Preschke et al. 220/529
D679,952	S	4/2013 Holding et al.
D681,441	S *	5/2013 Tung D8/343
D696,099	S *	12/2013 Wada D8/354
D696,100	S *	12/2013 Wada D8/354
D702,998	S	4/2014 Fugere
D705,585	S	5/2014 Kim

8,739,453	B1 *	6/2014 Conner F41A 23/18 248/206.5
8,833,881	B2	9/2014 Manniso et al. 312/348.3
D715,859	S *	10/2014 Costas D19/86
D731,991	S *	6/2015 Berdud-Teruel D13/183
D732,864	S	6/2015 Clouse et al.
D755,892	S *	5/2016 Costas D19/86
D758,170	S *	6/2016 Weber D8/354
D759,605	S *	6/2016 Kimble D13/183
D761,602	S	7/2016 Standlee
2002/0171344	A1	11/2002 Hollenstein 312/348.3
2003/0052582	A1	3/2003 Searer et al. 312/348.3
2003/0137227	A1	7/2003 Hoenig 312/348.3
2003/0164665	A1	9/2003 Guay et al. 312/348.3
2003/0184199	A1	10/2003 Jananji 312/348.3
2004/0144789	A1	7/2004 Cheng 220/529
2004/0145287	A1	7/2004 Ernst 312/348.3
2004/0149758	A1	8/2004 Duquette 220/520
2004/0155564	A1	8/2004 Berger et al. 312/348.3
2005/0067928	A1	3/2005 Berger et al. 312/348.3
2005/0072785	A1	4/2005 Cheng 220/528
2005/0218763	A1	10/2005 Bisson et al. 312/348.1
2007/0125357	A1	6/2007 Johnston
2007/0246471	A1	10/2007 Hrovat 220/533
2007/0273258	A1	11/2007 Ernst 312/348.3
2008/0185387	A1	8/2008 Wu 220/510
2008/0258593	A1	10/2008 Berger 312/348.3
2008/0295976	A1	12/2008 Watanabe 160/131
2009/0250574	A1 *	10/2009 Fullerton G09F 7/04 248/206.5
2010/0072148	A1	3/2010 Ferry
2010/0140197	A1	6/2010 Schneider et al.
2010/0170864	A1	7/2010 Chu 211/184
2010/0301052	A1	12/2010 Preschke et al. 220/529
2012/0205335	A1	8/2012 Abdullahi 211/184
2013/0063013	A1	3/2013 Chen 312/348.3
2013/0063014	A1	3/2013 Chen 312/348.3
2013/0082020	A1	4/2013 Denny 211/184
2013/0336718	A1 *	12/2013 Jeon F16B 12/44 403/359.1
2014/0202644	A1	7/2014 Maltais 160/184
2014/0210331	A1	7/2014 Tunzi 312/404
2015/0359358	A1	12/2015 Miller, Jr. et al.

OTHER PUBLICATIONS

U.S. Appl. No. 29/517,742, filed Feb. 16, 2015, Jackson.
U.S. Appl. No. 29/517,745, filed Feb. 16, 2015, Jackson.
U.S. Appl. No. 29/517,747, filed Feb. 16, 2015, Jackson.
U.S. Appl. No. 29/517,749, filed Feb. 16, 2015, Jackson.
U.S. Appl. No. 29/517,751, filed Feb. 16, 2015, Jackson.
Notice of References Cited received in related U.S. Appl. No. 29/517,745, dated Aug. 25, 2016 (2 pages).
Notice of References Cited received in related U.S. Appl. No. 29/517,747, dated Aug. 23, 2016 (2 pages).
Notice of References Cited received in related U.S. Appl. No. 29/517,749, dated Aug. 24, 2016 (2 pages).
Notice of References Cited received in related U.S. Appl. No. 29/517,751, dated Aug. 23, 2016 (2 pages).

* cited by examiner

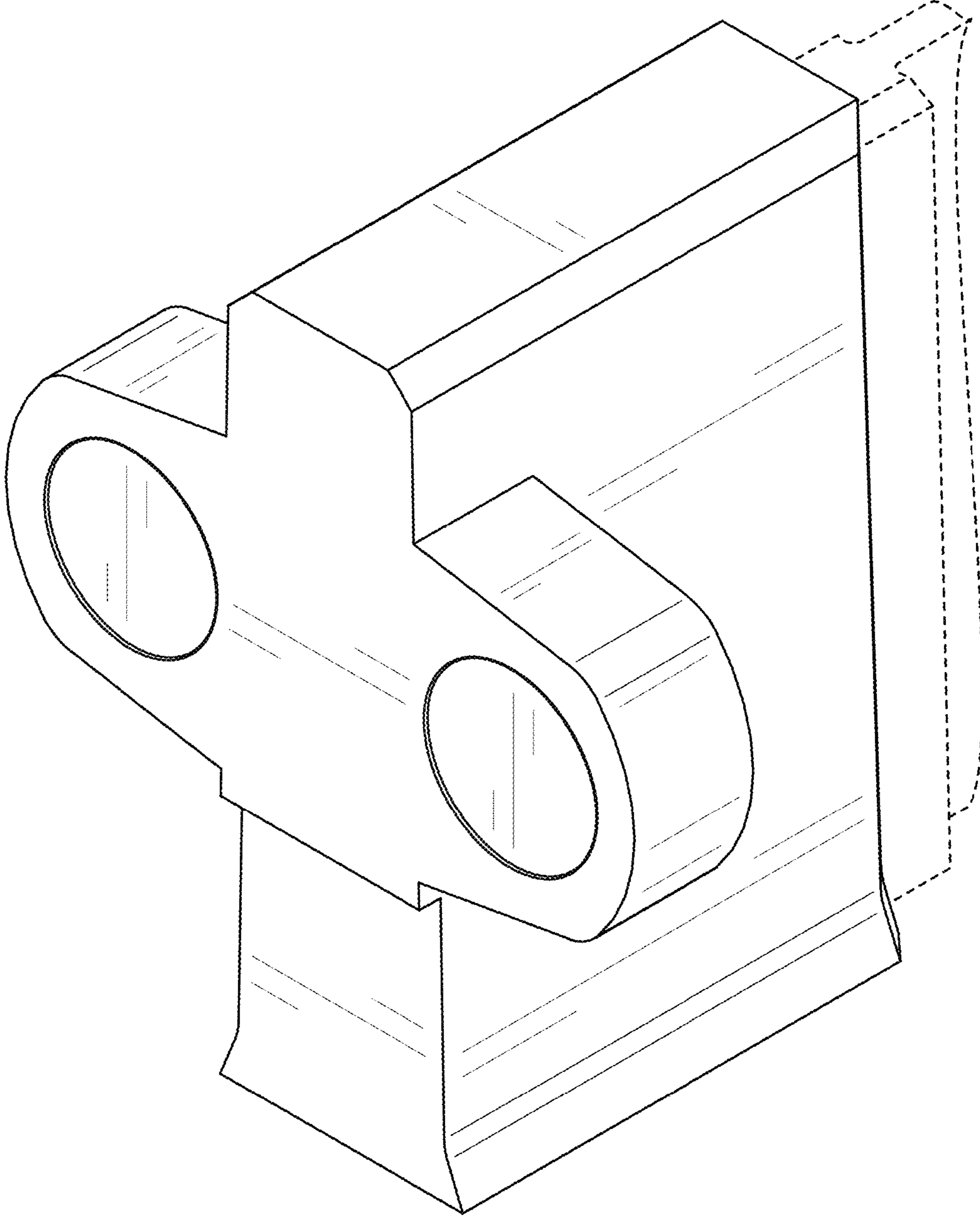


FIG. 1

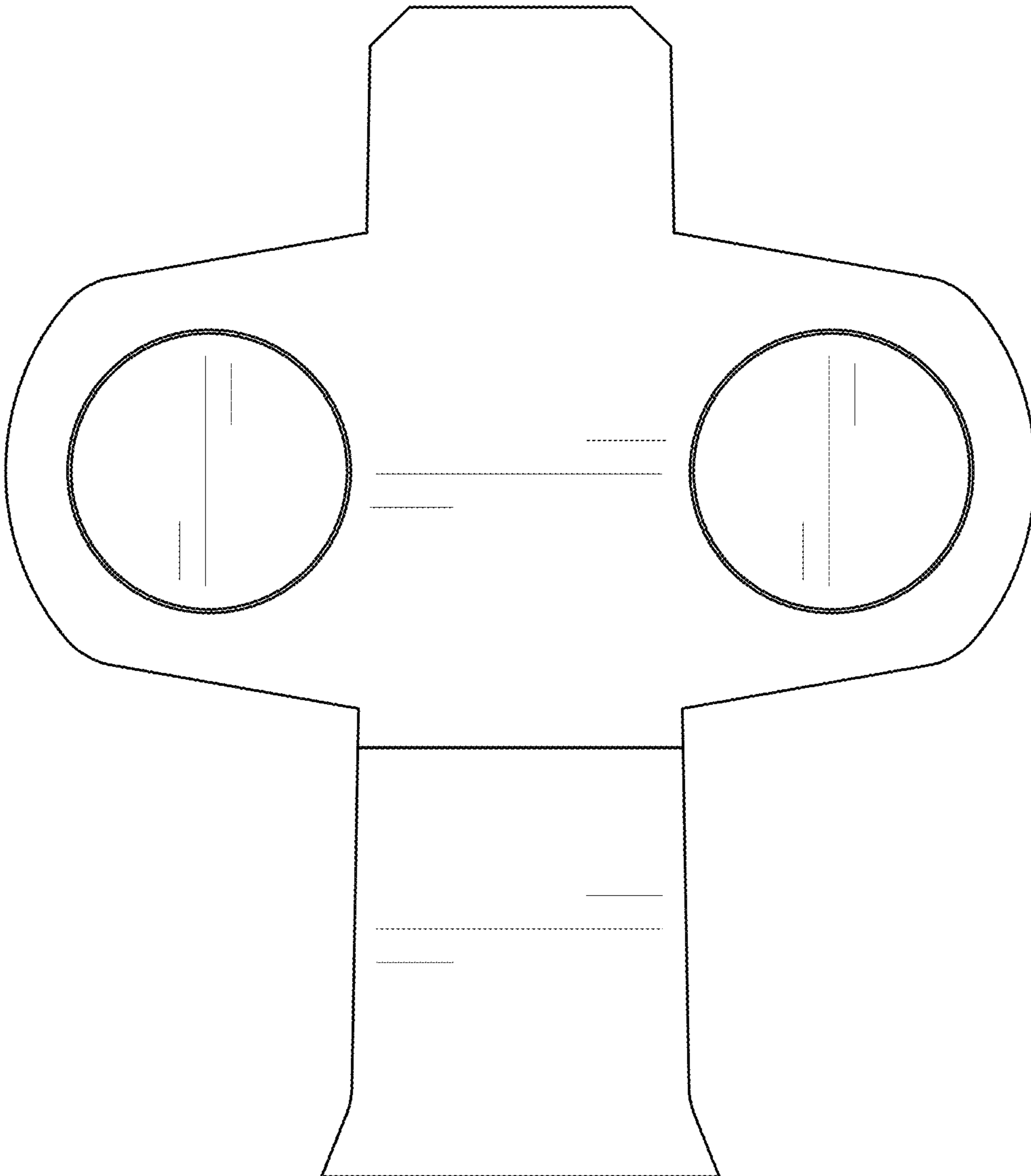


FIG. 2

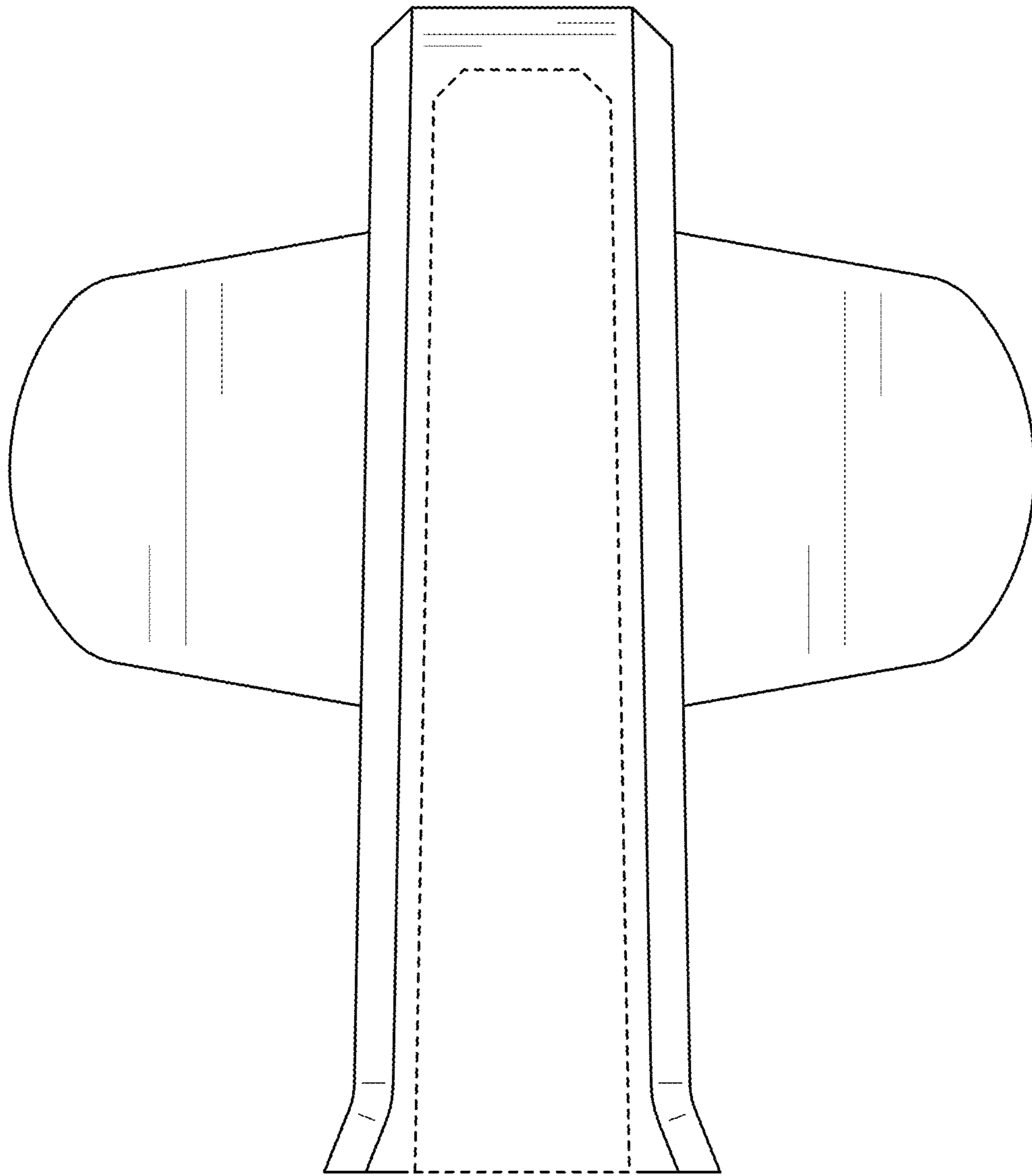


FIG. 3

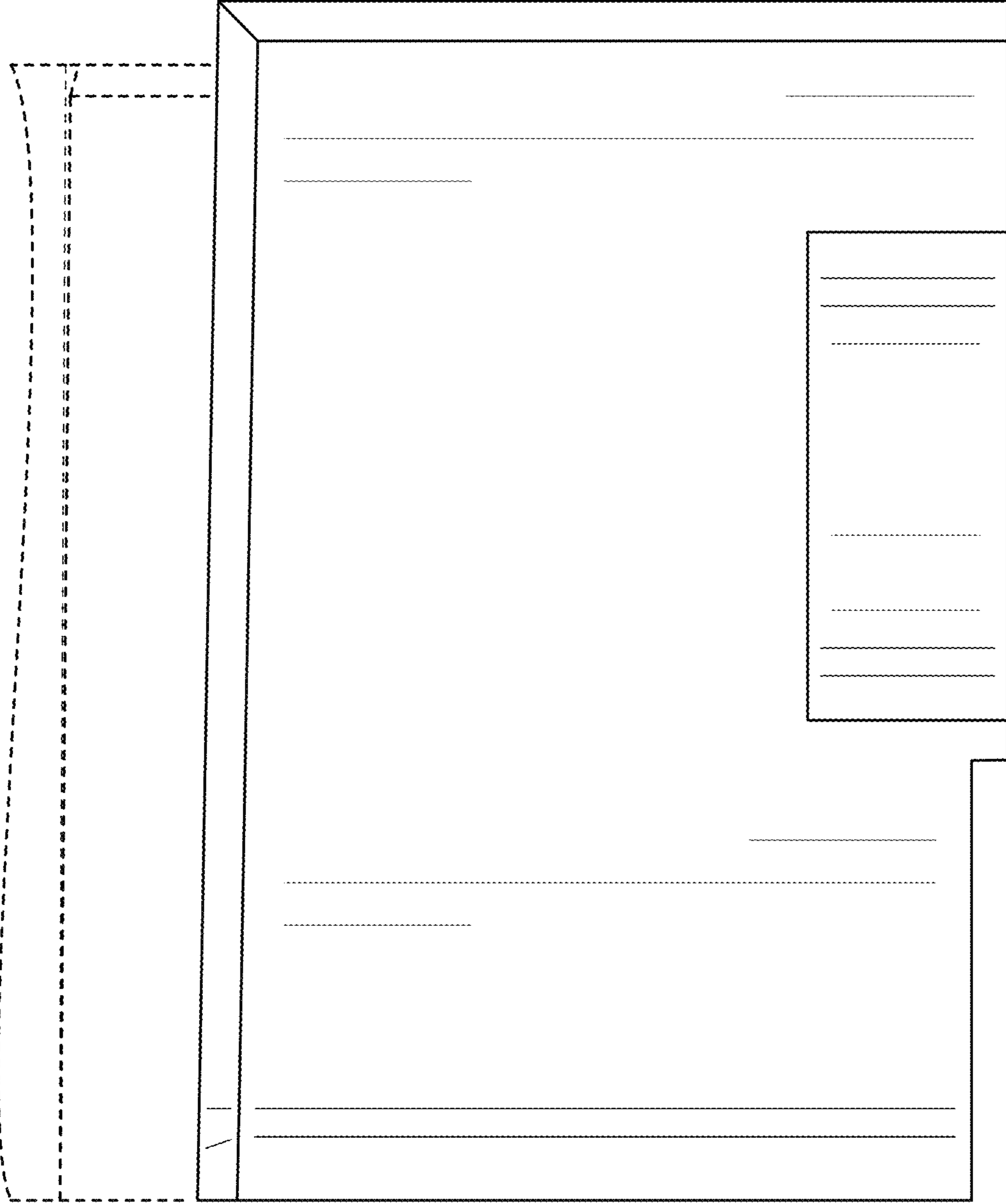


FIG. 4

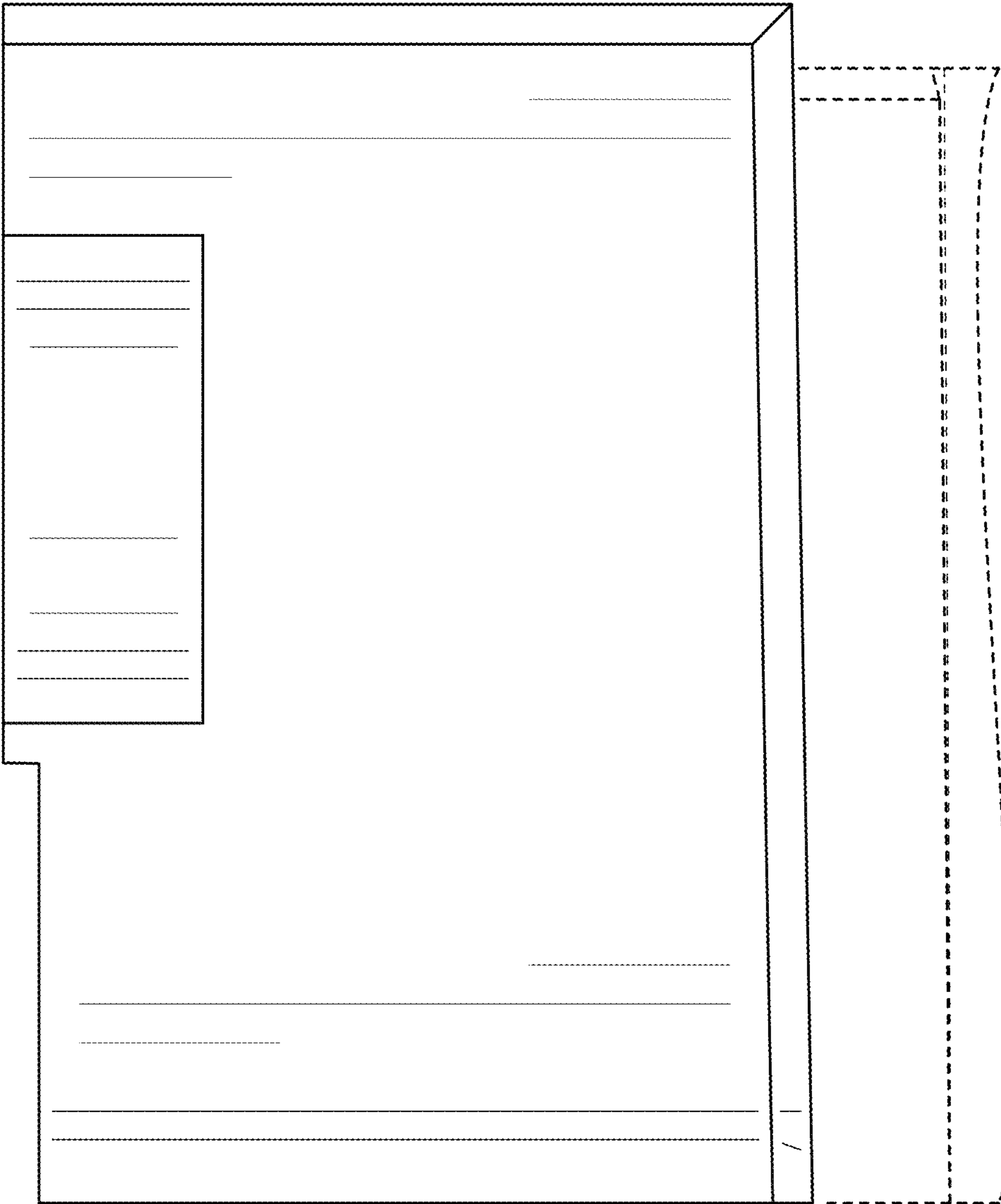


FIG. 5

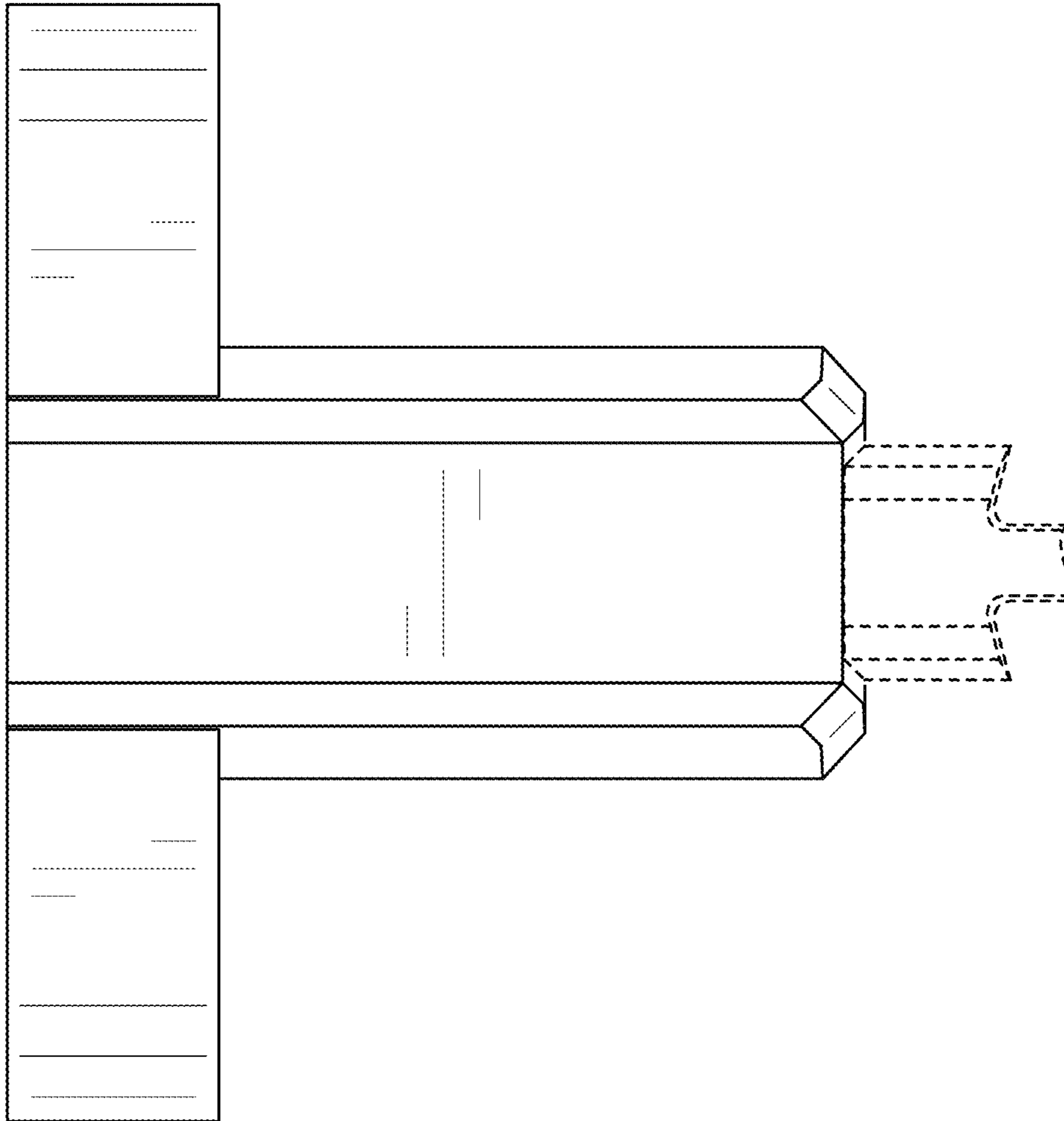


FIG. 6

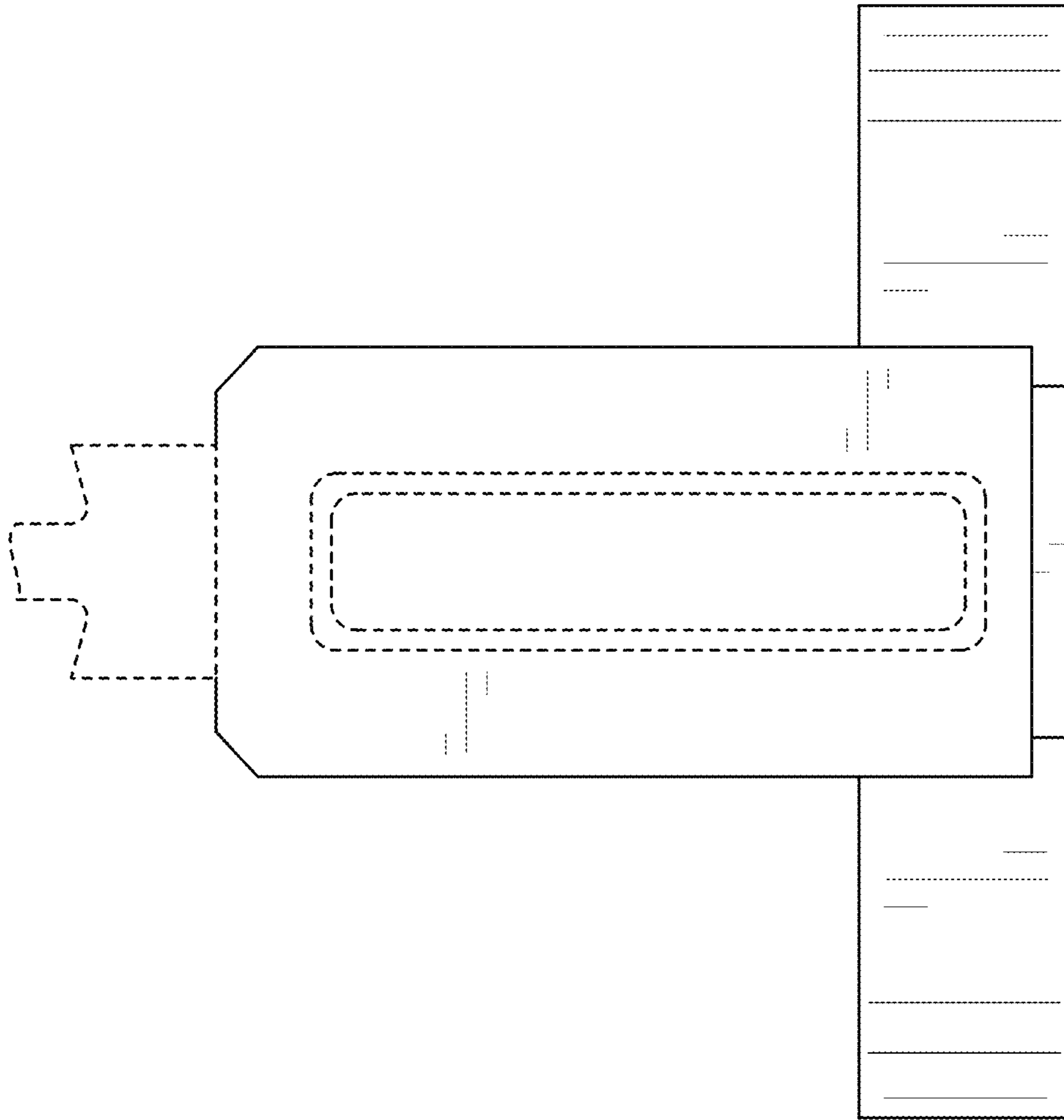


FIG. 7