



US00D778648S

(12) **United States Design Patent** (10) **Patent No.:** **US D778,648 S**
Johnson et al. (45) **Date of Patent:** **** Feb. 14, 2017**

- (54) **DISPLAY SHELF**
- (71) Applicant: **Target Brands, Inc.**, Minneapolis, MN (US)
- (72) Inventors: **Jason W. Johnson**, Wayzata, MN (US);
Erin L. Zobel, Minneapolis, MN (US);
Timothy J. Martell, Brooklyn Park, MN (US)
- (73) Assignee: **Target Brands, Inc.**, Minneapolis, MN (US)

5,230,552 A	7/1993	Schipper et al.	
5,231,562 A	7/1993	Pierce et al.	
5,617,797 A *	4/1997	Casey	A47B 45/00 108/42
6,028,267 A	2/2000	Byrne	
D443,163 S *	6/2001	Welch	D6/574
6,254,206 B1	7/2001	Petrick et al.	
6,397,762 B1	6/2002	Goldberg et al.	
6,499,608 B1	12/2002	Sterling et al.	
6,578,498 B1	6/2003	Draudt et al.	
6,732,661 B2	5/2004	Grasse et al.	
D495,720 S *	9/2004	Avalos Barcenas	D15/89
6,802,577 B2	10/2004	Gershfeld	
D500,225 S *	12/2004	Suero, Jr.	D6/574

(Continued)

(**) Term: **15 Years**

(21) Appl. No.: **29/535,986**

(22) Filed: **Aug. 12, 2015**

(51) **LOC (10) Cl.** **06-06**

(52) **U.S. Cl.**
USPC **D6/705.7**

(58) **Field of Classification Search**
USPC D6/324, 705, 705.7, 702, 706, 707,
D6/707.19

CPC A47B 63/00; A47B 96/02; A47B 96/06;
A47B 96/022; A47B 57/00; A47F 5/08;
A47F 5/0018; A47F 5/0068

See application file for complete search history.

(56) **References Cited**

U.S. PATENT DOCUMENTS

1,270,718 A *	6/1918	Ford	A47B 13/081 105/425
4,074,635 A *	2/1978	Stauble	A47B 96/027 108/152
4,198,913 A	4/1980	Haworth et al.	
D267,059 S *	11/1982	Thompson	D6/574
4,372,629 A	2/1983	Propst et al.	
D274,105 S *	6/1984	Brescia	D6/555
D284,630 S *	7/1986	Ferdinand	D6/705
4,792,881 A	12/1988	Wilson et al.	

Primary Examiner — Kelley Donnelly

(74) *Attorney, Agent, or Firm* — Leanne Taveggia Farrell;
Westman, Champlin & Koehler, P.A.

(57) **CLAIM**

The ornamental design for a display shelf, as shown and described.

DESCRIPTION

FIG. 1 is a perspective view of a display shelf showing our new design;

FIG. 2 is a top view of FIG. 1;

FIG. 3 is a front view of FIG. 1;

FIG. 4 is a right side view of FIG. 1, the left side being a mirror image;

FIG. 5 is a perspective view of an alternate position of the display shelf of FIG. 1;

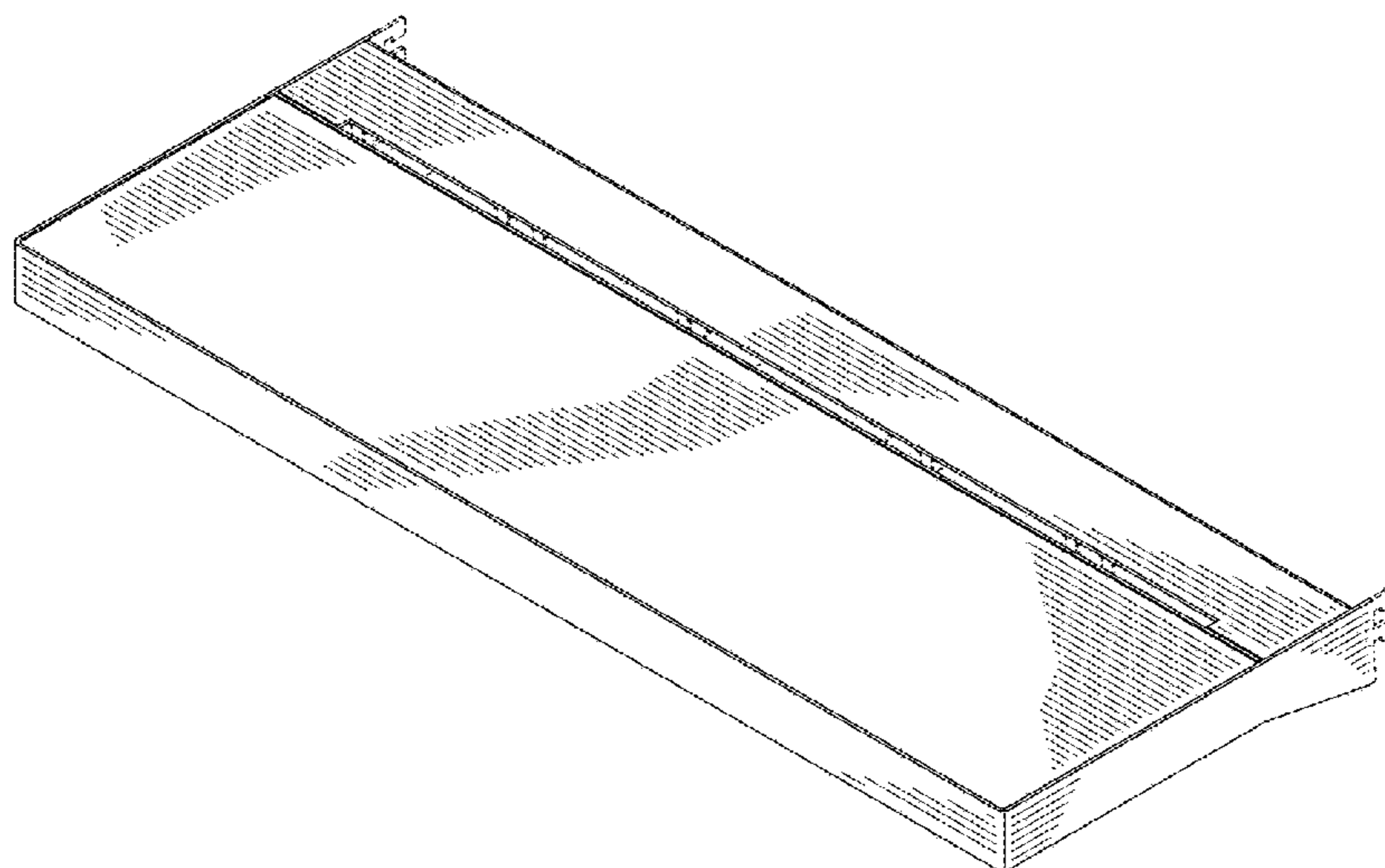
FIG. 6 is a top view of FIG. 5;

FIG. 7 is a front view of FIG. 5; and,

FIG. 8 is a right side view of FIG. 5, the left side view being a mirror image.

The broken lines showing is included for the purpose of illustrating environment and forms no part of the claimed design.

1 Claim, 6 Drawing Sheets



(56)

References Cited

U.S. PATENT DOCUMENTS

7,312,393	B2	12/2007	McCarthy	
D568,648	S *	5/2008	Roussel	D6/705.1
D607,020	S *	12/2009	Baacke	D15/89
D628,833	S	12/2010	Giles et al.	
7,966,951	B1	6/2011	Black et al.	
D660,059	S *	5/2012	Nilsson	D6/705
8,295,036	B2	10/2012	Byrne	
8,360,373	B2	1/2013	Johnson et al.	
D694,046	S *	11/2013	Walter	D6/705
8,664,527	B2	3/2014	Ruotsala	
8,689,705	B2	4/2014	Martin et al.	
8,925,469	B2	1/2015	Bennie et al.	
D724,876	S *	3/2015	Gokhale	D6/705
D764,834	S *	8/2016	Citterio	D6/574
9,468,312	B2 *	10/2016	Denby	A47F 5/0043
2003/0189393	A1	10/2003	Draudt et al.	
2015/0292794	A1 *	10/2015	Bienick	A47B 96/028 108/42

* cited by examiner

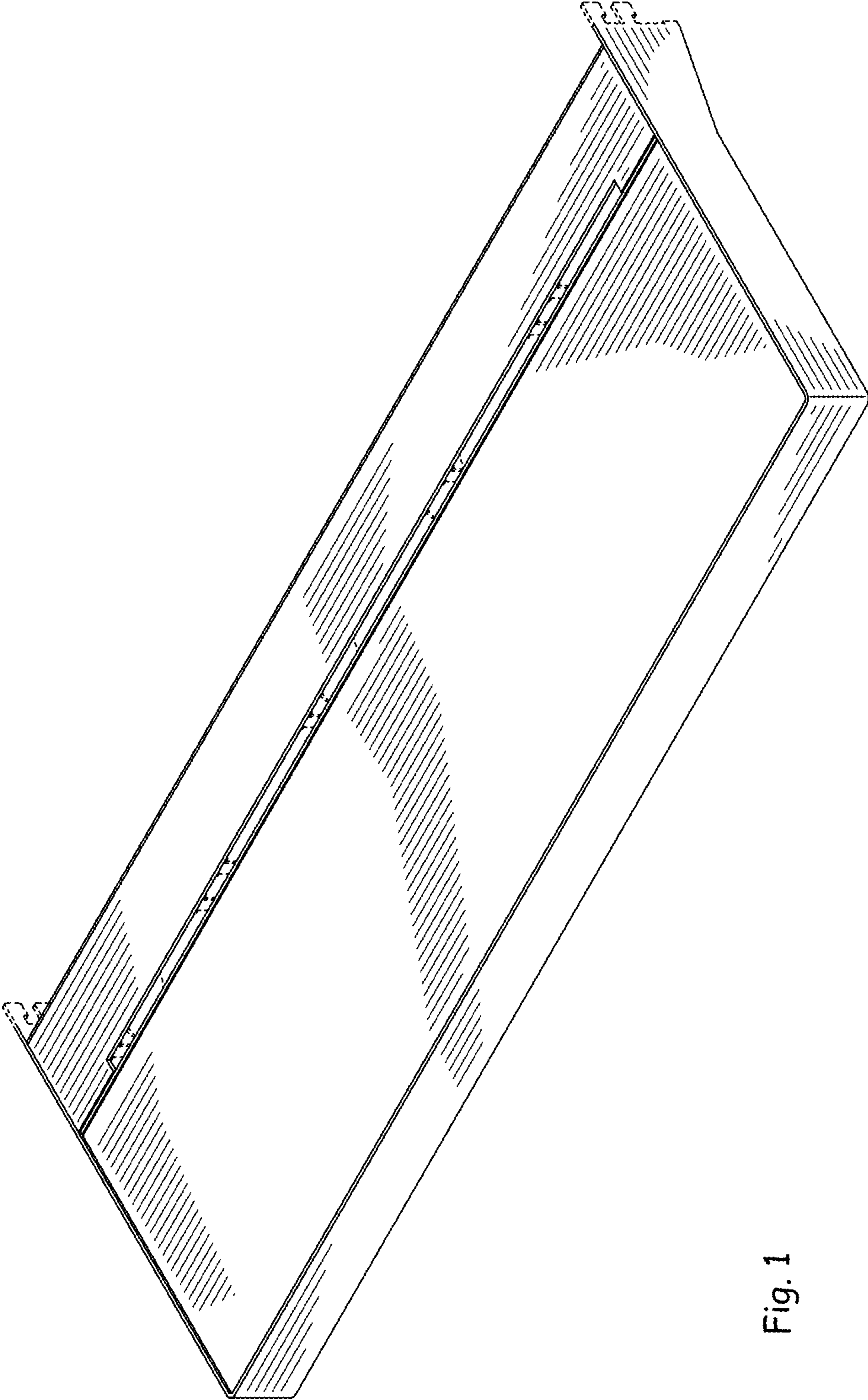


Fig. 1

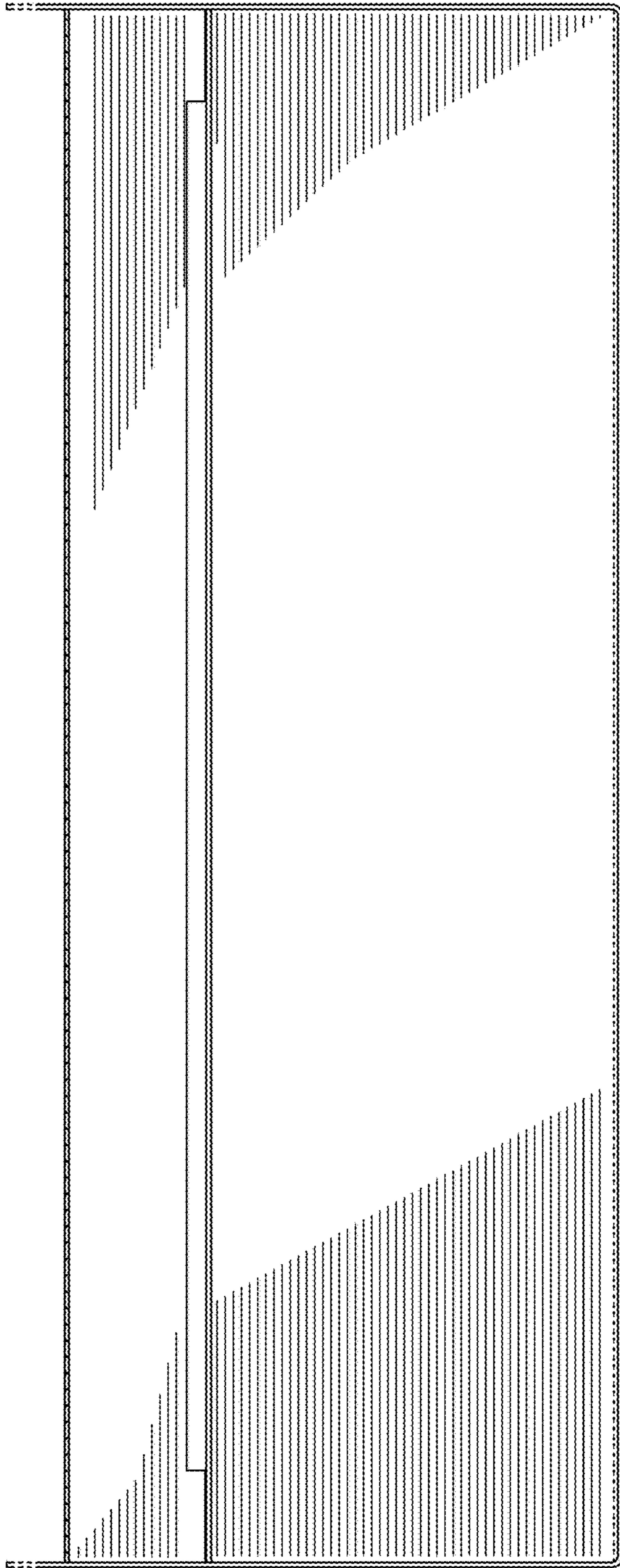


Fig. 2

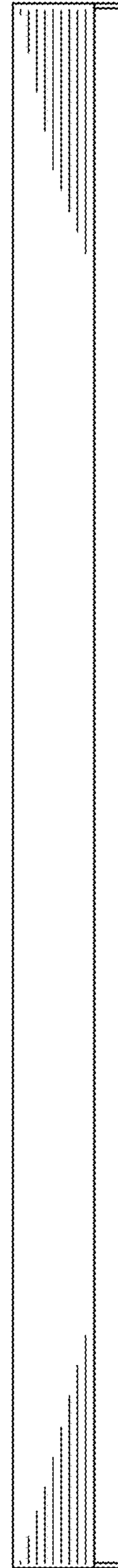


Fig. 3

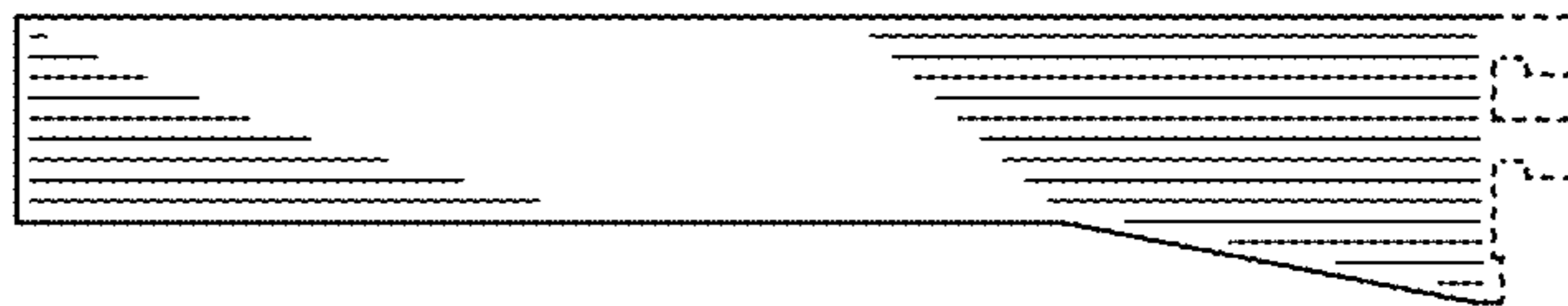


Fig. 4

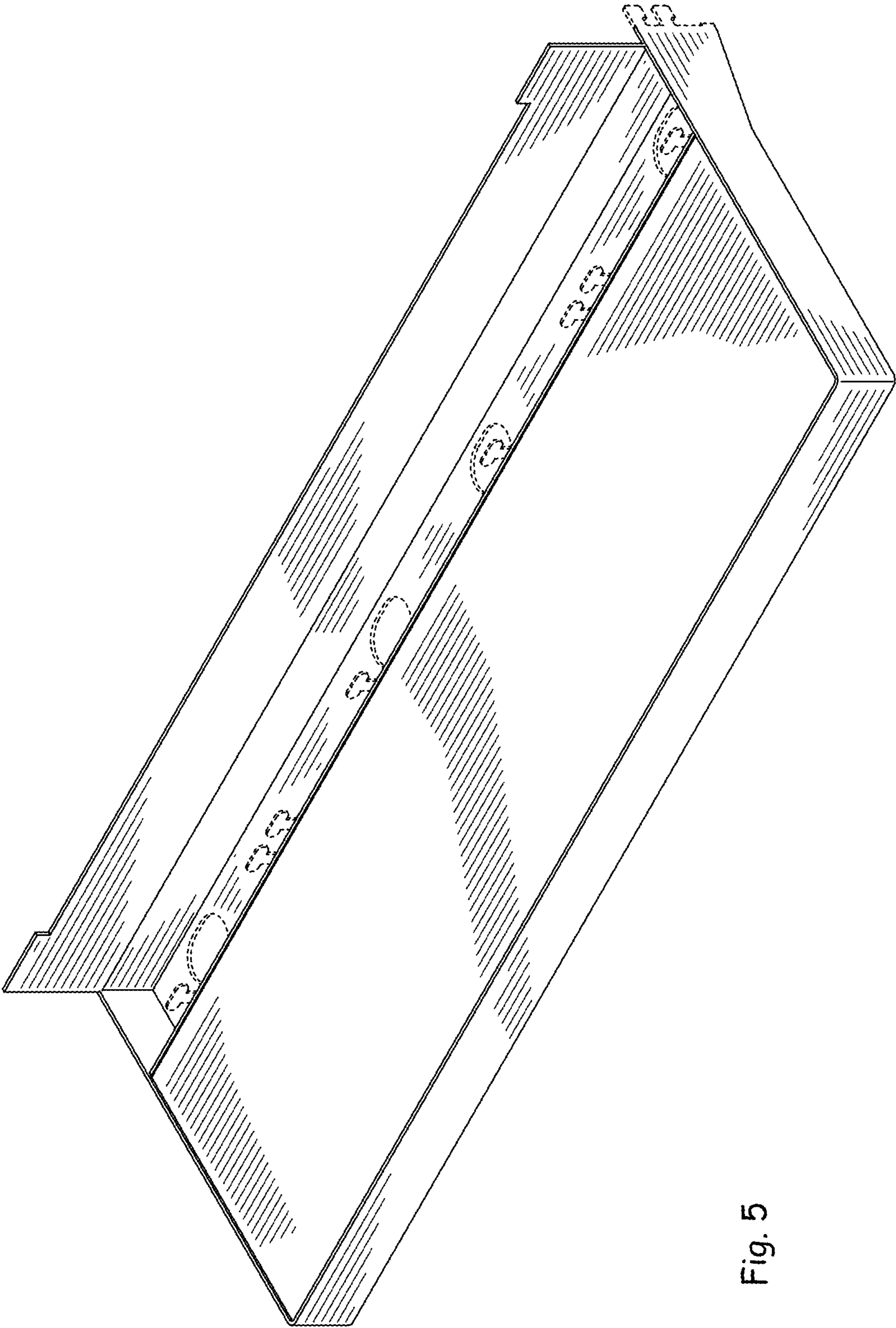


Fig. 5

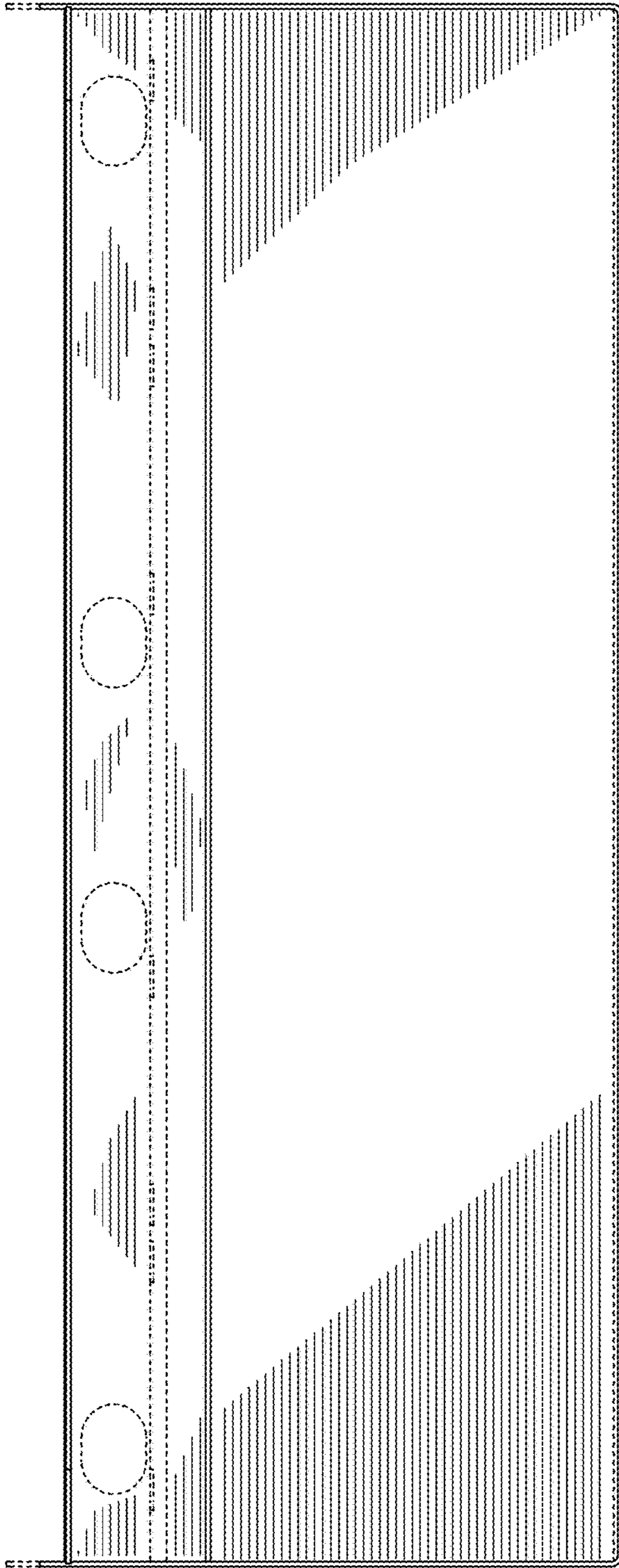


Fig. 6

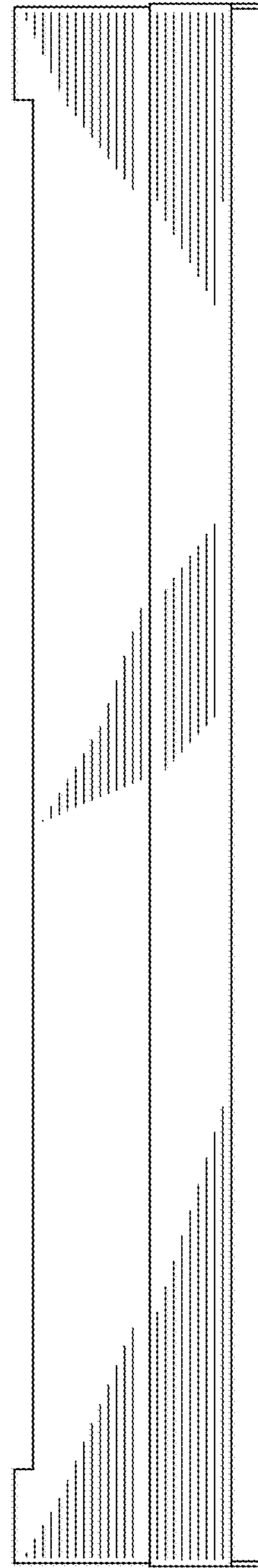


Fig. 7

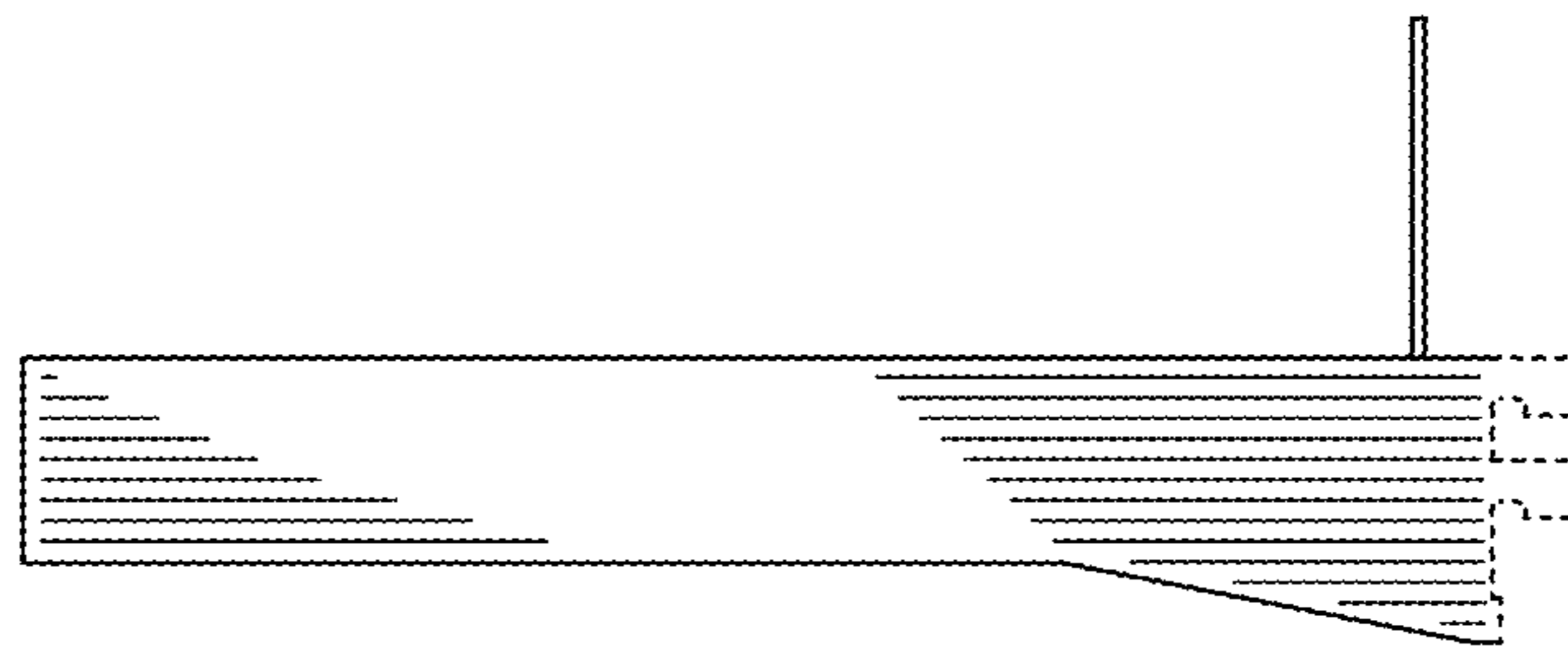


Fig. 8