



US00D778645S

(12) **United States Design Patent**  
**Merritt**

(10) **Patent No.:** **US D778,645 S**

(45) **Date of Patent:** **\*\* Feb. 14, 2017**

(54) **END TABLE**

(71) Applicant: **Liberty Procurement Co. Inc.**, Union,  
NJ (US)

(72) Inventor: **John Merritt**, Brooklyn, NY (US)

(73) Assignee: **Liberty Procurement Co. Inc.**, Union,  
NJ (US)

(\*\*) Term: **15 Years**

(21) Appl. No.: **29/527,754**

(22) Filed: **May 21, 2015**

(51) **LOC (10) Cl.** ..... **06-04**

(52) **U.S. Cl.**  
USPC ..... **D6/691**

(58) **Field of Classification Search**  
USPC ..... D6/691.1, 691, 691.3, 691.5, 691.8,  
D6/691.9, 707.18, 349; 248/164; 108/119  
CPC ..... F16B 7/105; A47B 7/00; A47B 13/00;  
A47B 13/02; A47B 13/06; A47B 13/04;  
A47B 13/08; A47B 13/088; A47B  
2200/11; A47B 2200/001; A47B 91/00;  
A47B 91/005

See application file for complete search history.

(56) **References Cited**

**U.S. PATENT DOCUMENTS**

D310,145 S \* 8/1990 Williams ..... D6/691.3  
D314,878 S \* 2/1991 Hart ..... D6/691.3

D444,651 S \* 7/2001 Jeup ..... D6/691.1  
D640,486 S \* 6/2011 Saelid ..... D6/656.15  
D655,950 S \* 3/2012 Kvello ..... D6/691.7  
D694,044 S \* 11/2013 Copeland ..... D6/656.15  
D697,743 S \* 1/2014 Thull ..... D6/691  
D716,597 S \* 11/2014 Muller ..... D6/708.17  
D720,161 S \* 12/2014 Udagawa ..... D6/656.13  
D743,192 S \* 11/2015 Davis ..... D6/691.5  
D764,206 S \* 8/2016 Lin ..... D6/406.1  
2009/0307843 A1 \* 12/2009 Hookway ..... A47B 23/046  
5/425  
2016/0192772 A1 \* 7/2016 Sorrell ..... A47B 3/12  
108/27

\* cited by examiner

*Primary Examiner* — Rosemary K Tarcza

*Assistant Examiner* — James Thorn, Sr.

(74) *Attorney, Agent, or Firm* — Lerner, David,  
Littenberg, Krumholz & Mentlik, LLP

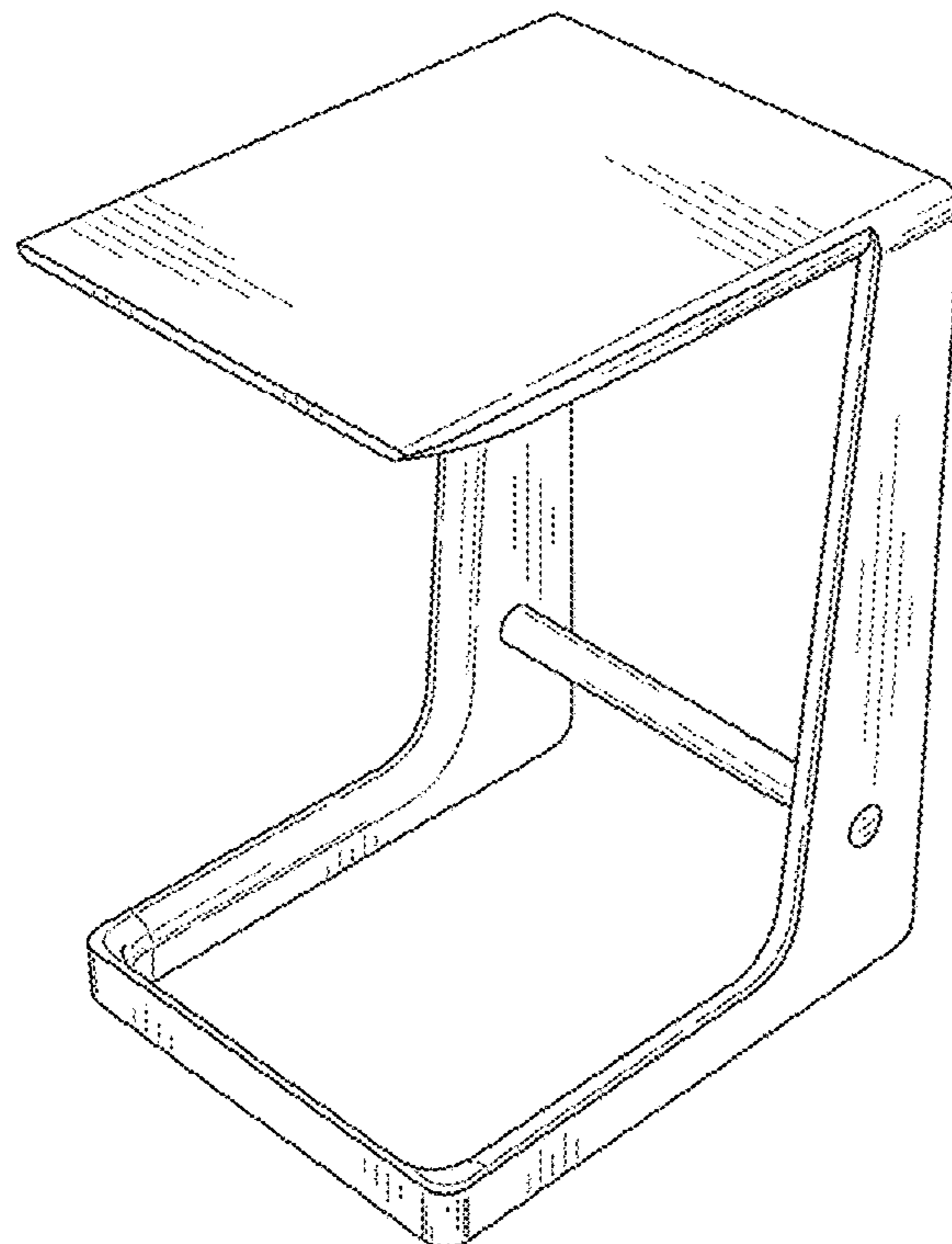
(57) **CLAIM**

The ornamental design for an end table, as shown and described.

**DESCRIPTION**

FIG. 1 is a perspective view of an end table;  
FIG. 2 is a front view thereof;  
FIG. 3 is a back view thereof;  
FIG. 4 is a right view thereof;  
FIG. 5 is a left view thereof;  
FIG. 6 is a top plan view thereof; and,  
FIG. 7 is a bottom plan view thereof.

**1 Claim, 4 Drawing Sheets**



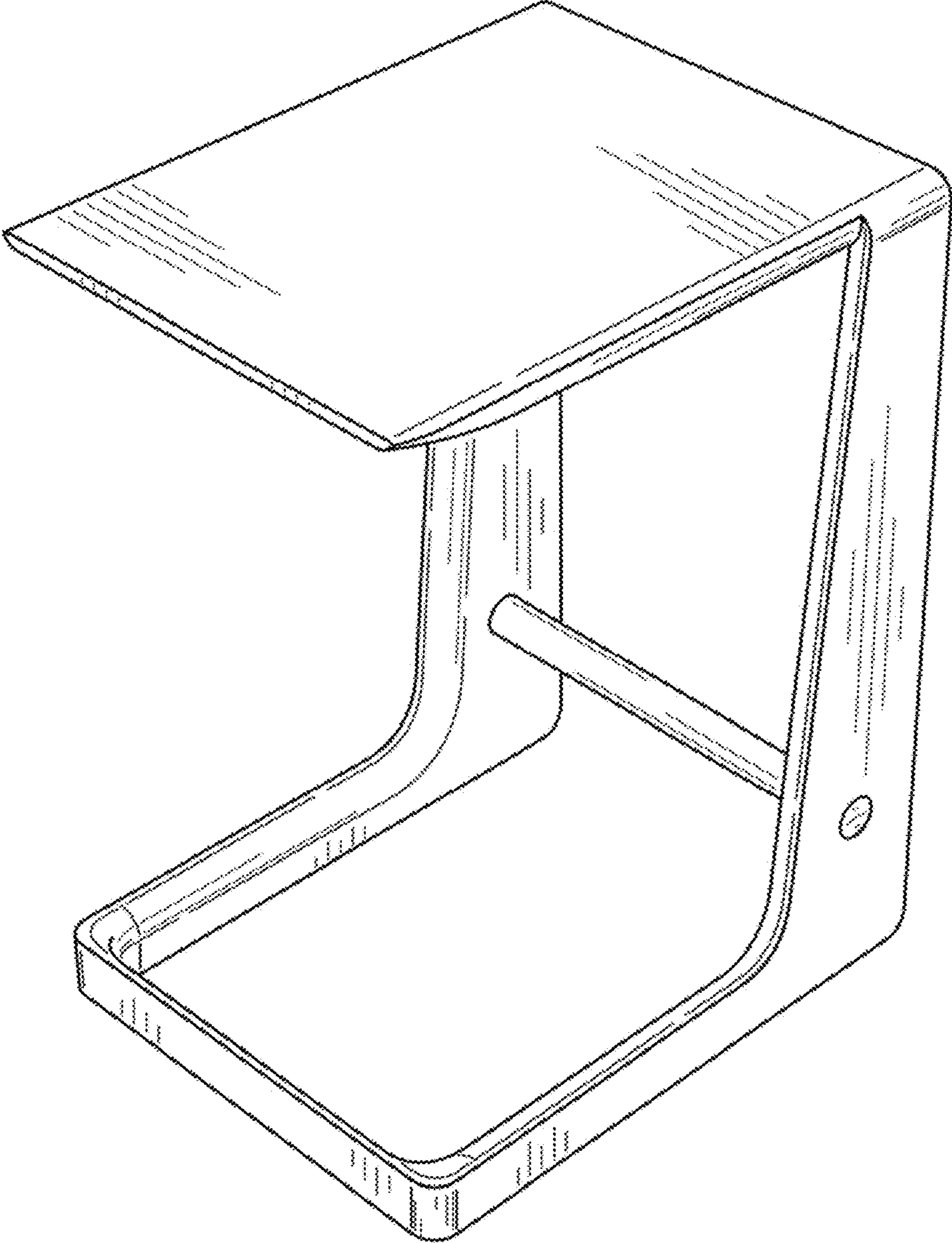


FIG. 1

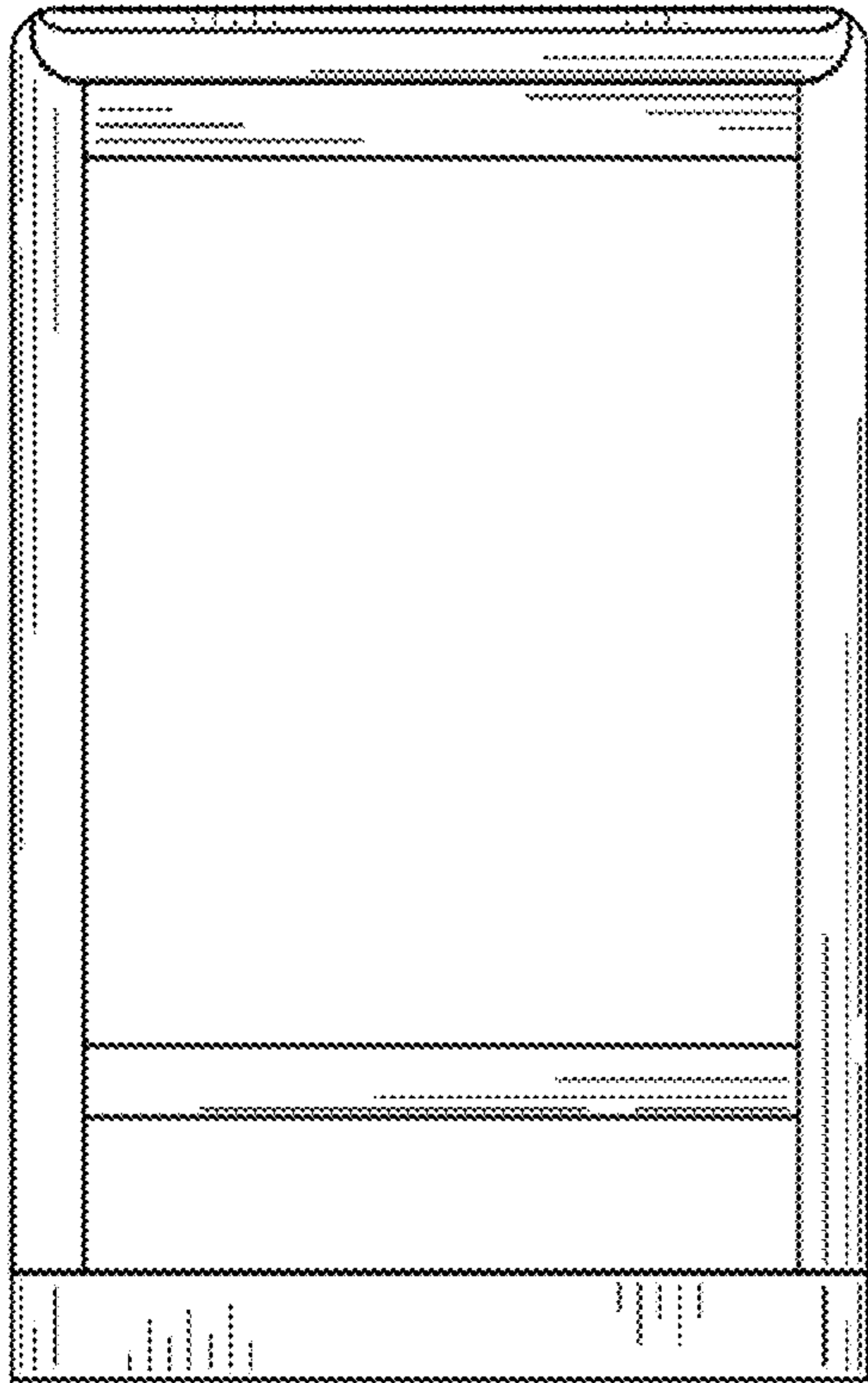


FIG. 2

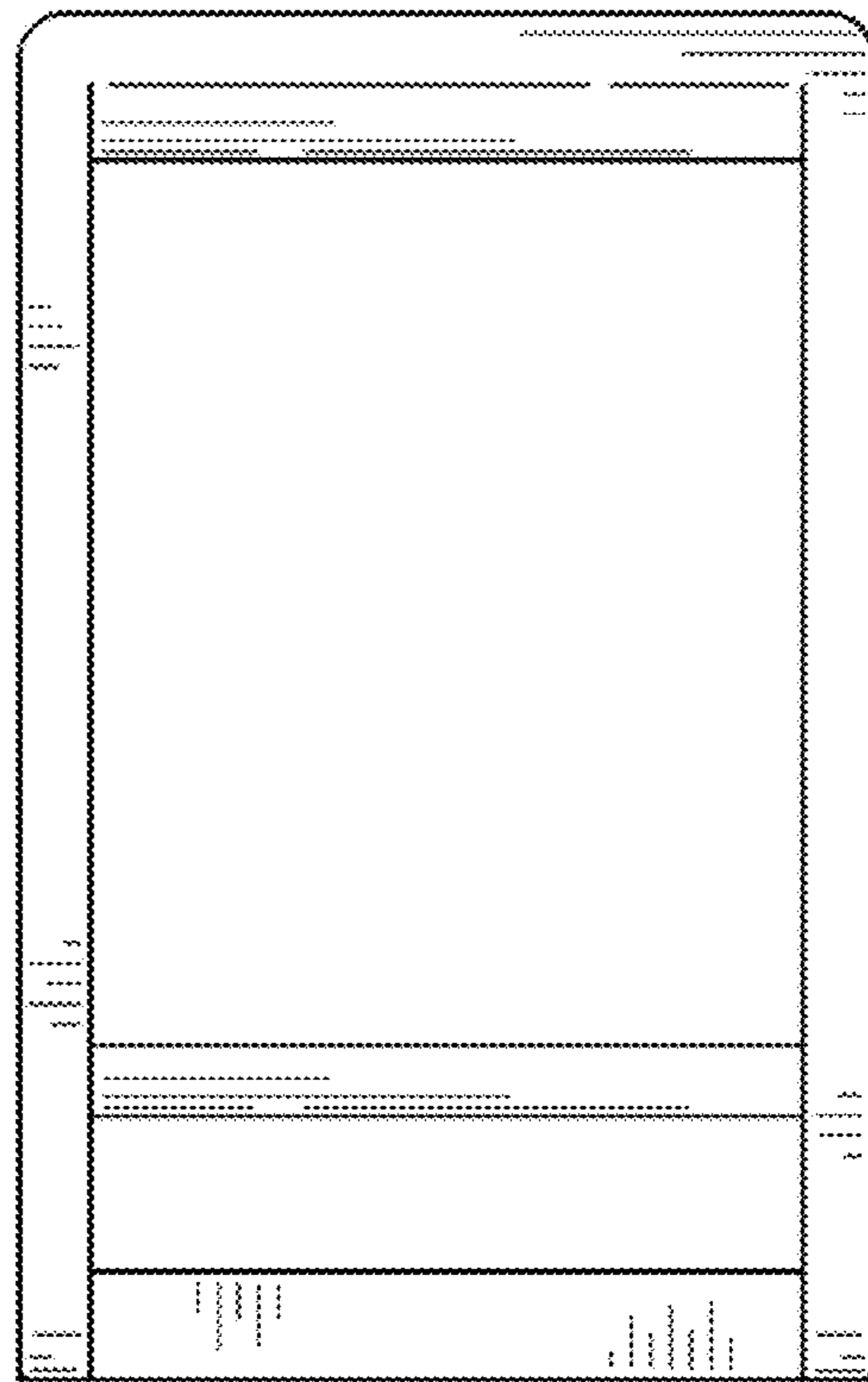


FIG. 3

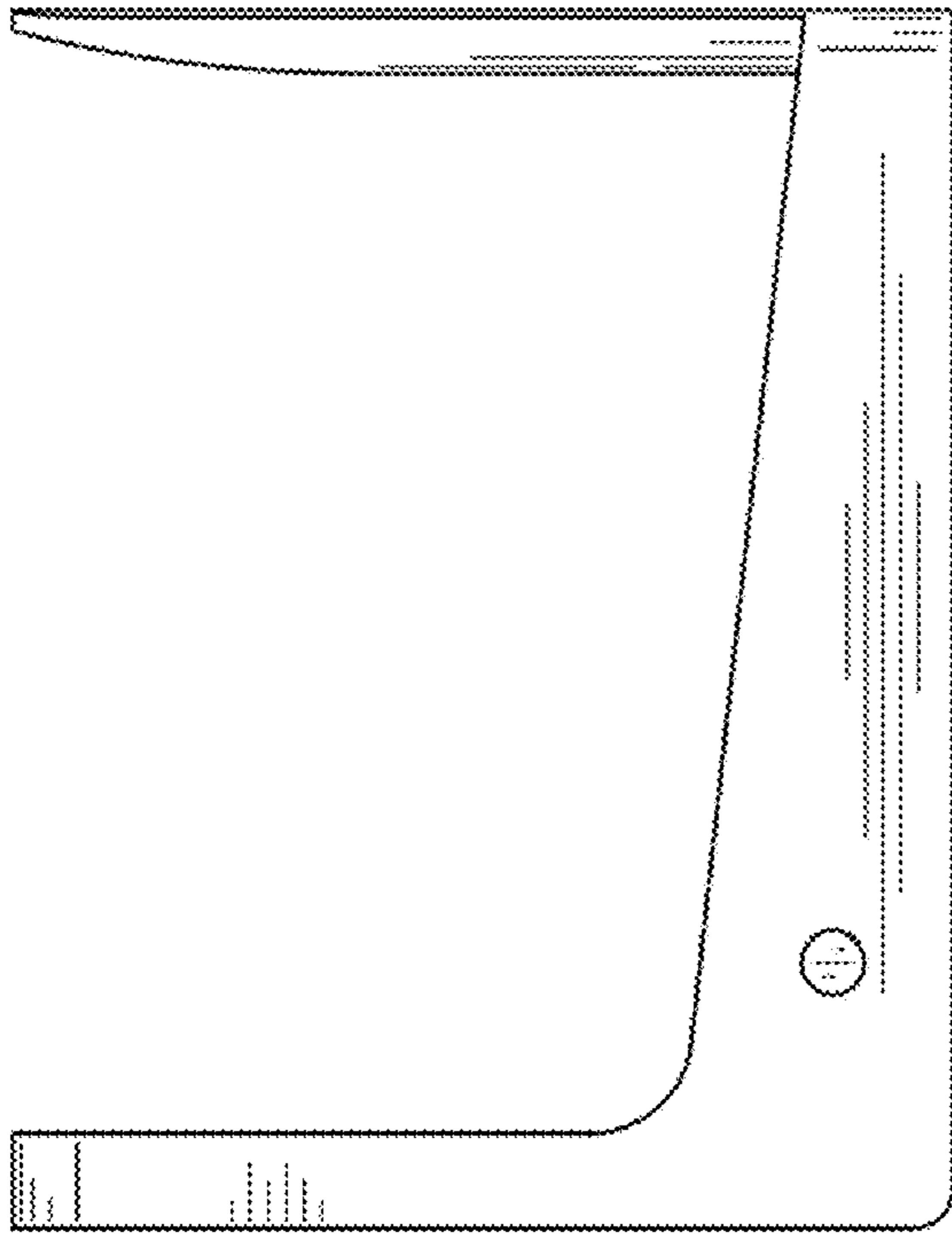


FIG. 4

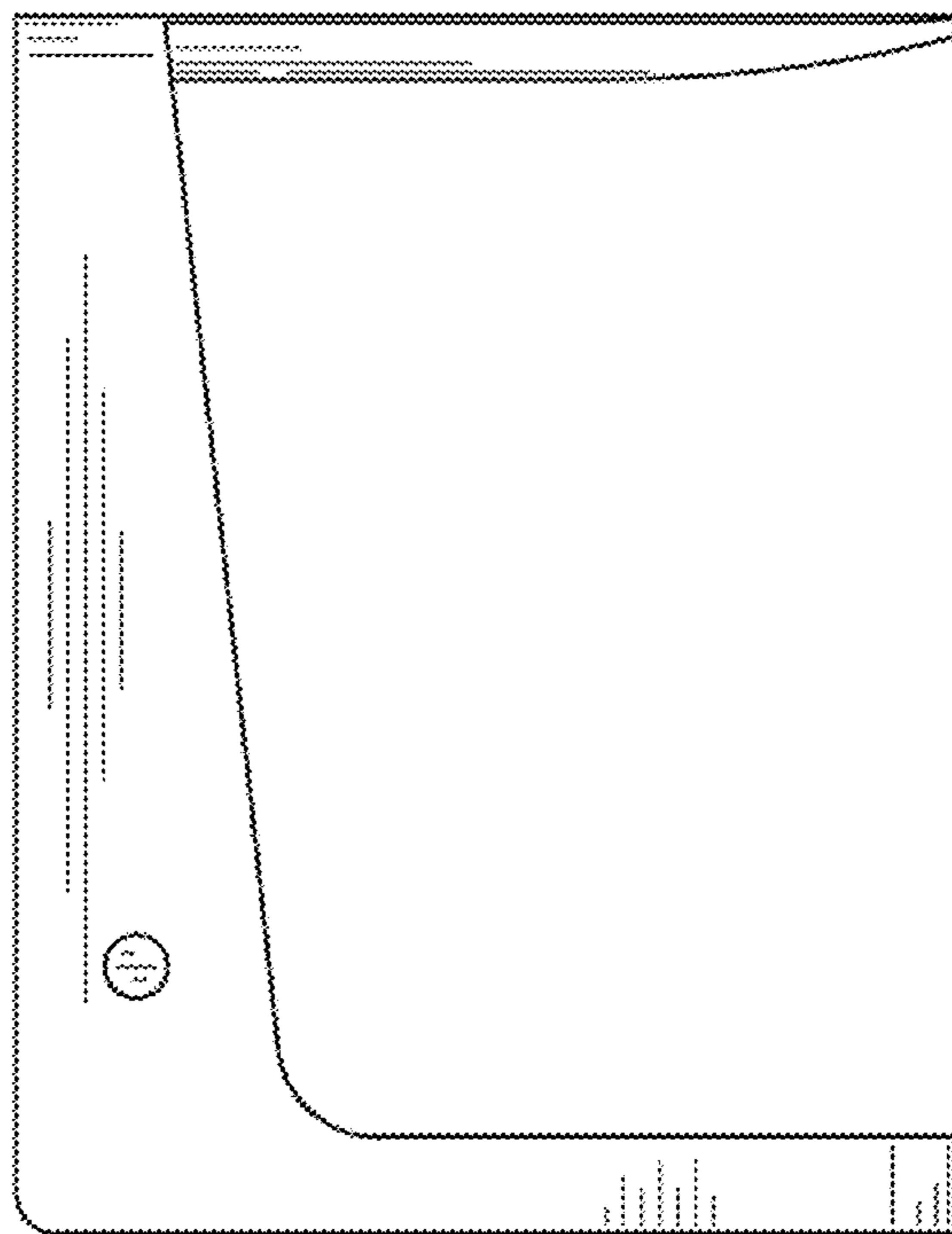


FIG. 5



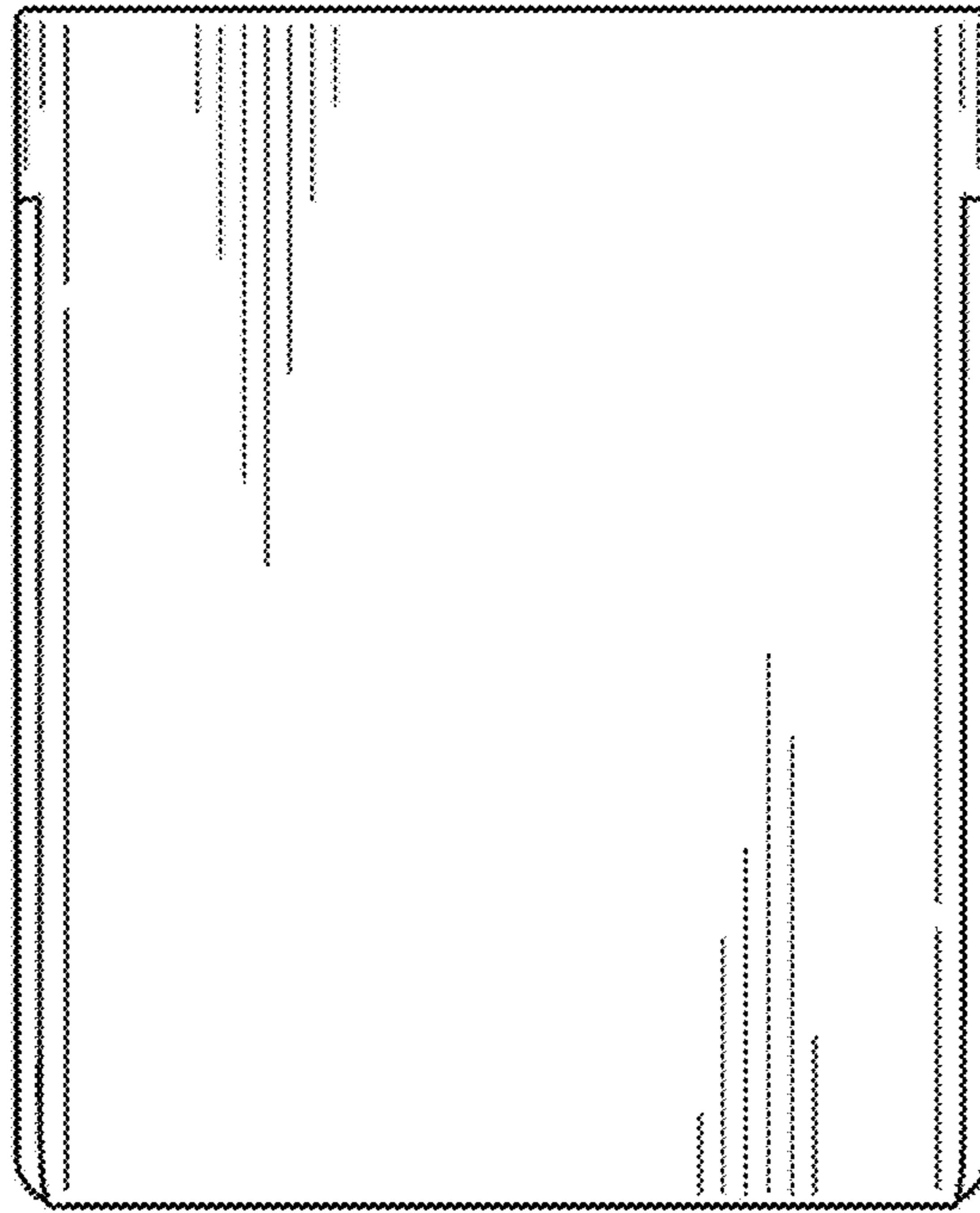


FIG. 6

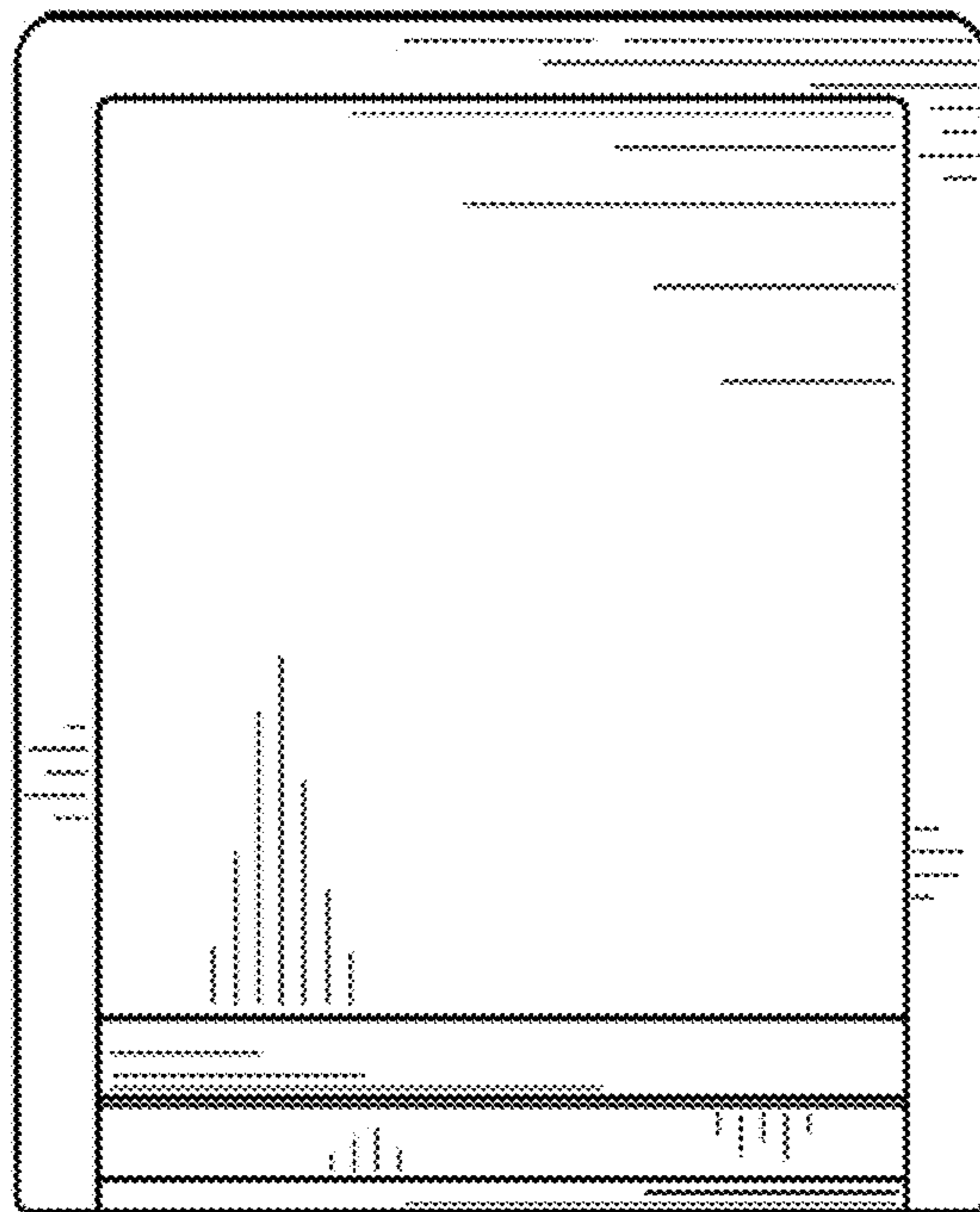


FIG. 7