



US00D778644S

(12) **United States Design Patent**
Jin

(10) **Patent No.:** **US D778,644 S**

(45) **Date of Patent:** **** Feb. 14, 2017**

(54) **TABLE**

D621,184 S * 8/2010 Domack D6/688.15
D704,969 S * 5/2014 Zhou D6/688.12

(71) Applicant: **Yunqi Jin**, Zhejiang (CN)

* cited by examiner

(72) Inventor: **Yunqi Jin**, Zhejiang (CN)

Primary Examiner — Caron D Veynar

(**) Term: **15 Years**

Assistant Examiner — Mehri Bajoul

(21) Appl. No.: **29/551,496**

(22) Filed: **Jan. 14, 2016**

(57) **CLAIM**

(51) **LOC (10) Cl.** **06-04**

The ornamental design for a table, as shown and described.

(52) **U.S. Cl.**

USPC **D6/688.12**; D6/688.11; D6/688.13

(58) **Field of Classification Search**

USPC D6/685, 688, 688.12–13, 688.29, 708.14;

D5/38–39, 57; D25/127, 128, 143, 147;

108/150, 153.1, 155; 248/188

CPC A47B 7/00; A47B 2200/0032; A47B

2021/11; A47B 13/00

See application file for complete search history.

DESCRIPTION

FIG. 1 is a front elevational view of a table showing my new design;

FIG. 2 is a rear elevational view thereof;

FIG. 3 is a left side view thereof;

FIG. 4 is a right side view thereof;

FIG. 5 is a top plan view thereof;

FIG. 6 is a bottom plan view thereof;

FIG. 7 is a first perspective view thereof; and,

FIG. 8 is a second perspective view thereof.

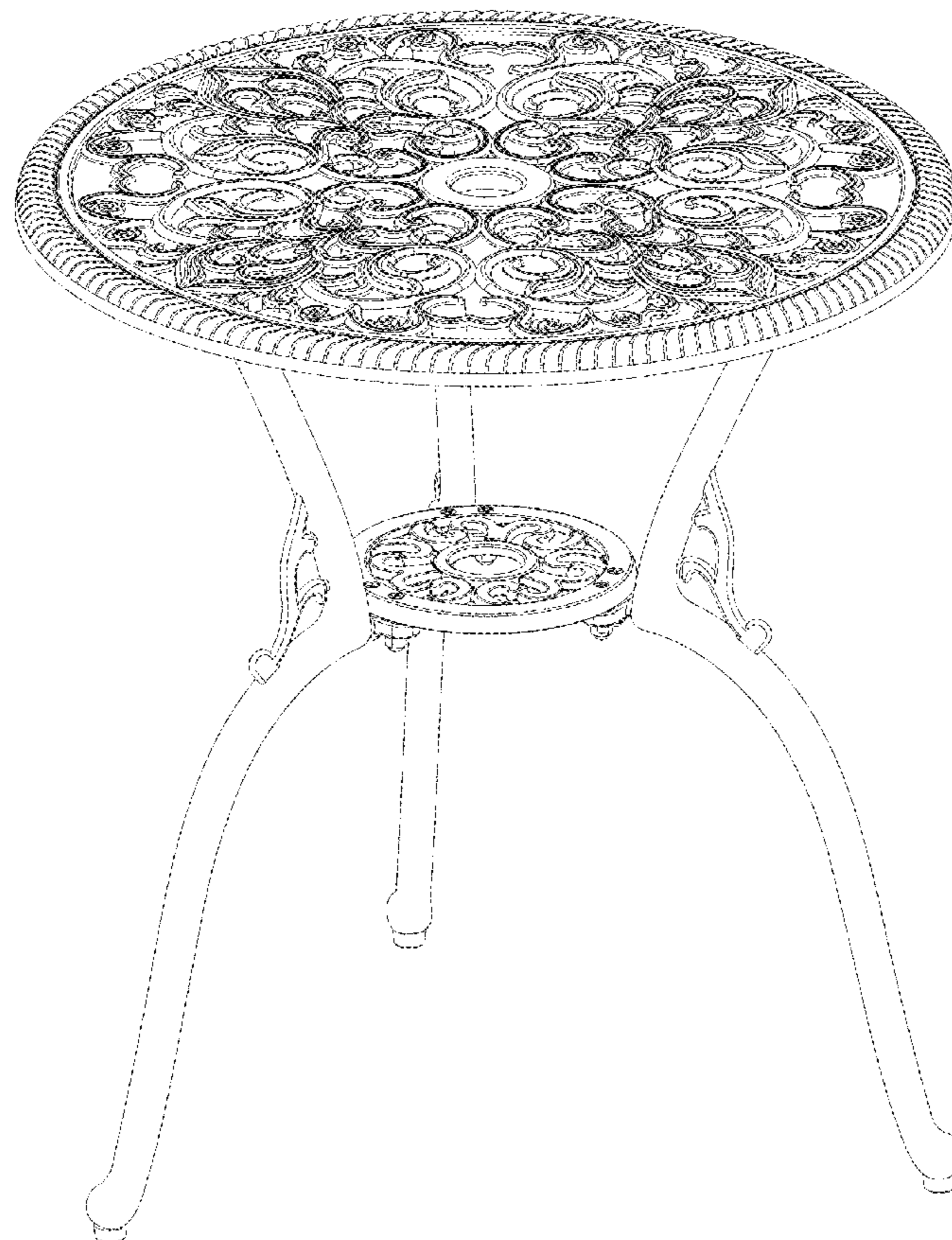
(56) **References Cited**

U.S. PATENT DOCUMENTS

D411,393 S * 6/1999 Mendoza D6/688.2

D544,256 S * 6/2007 Chen D6/688.12

1 Claim, 8 Drawing Sheets



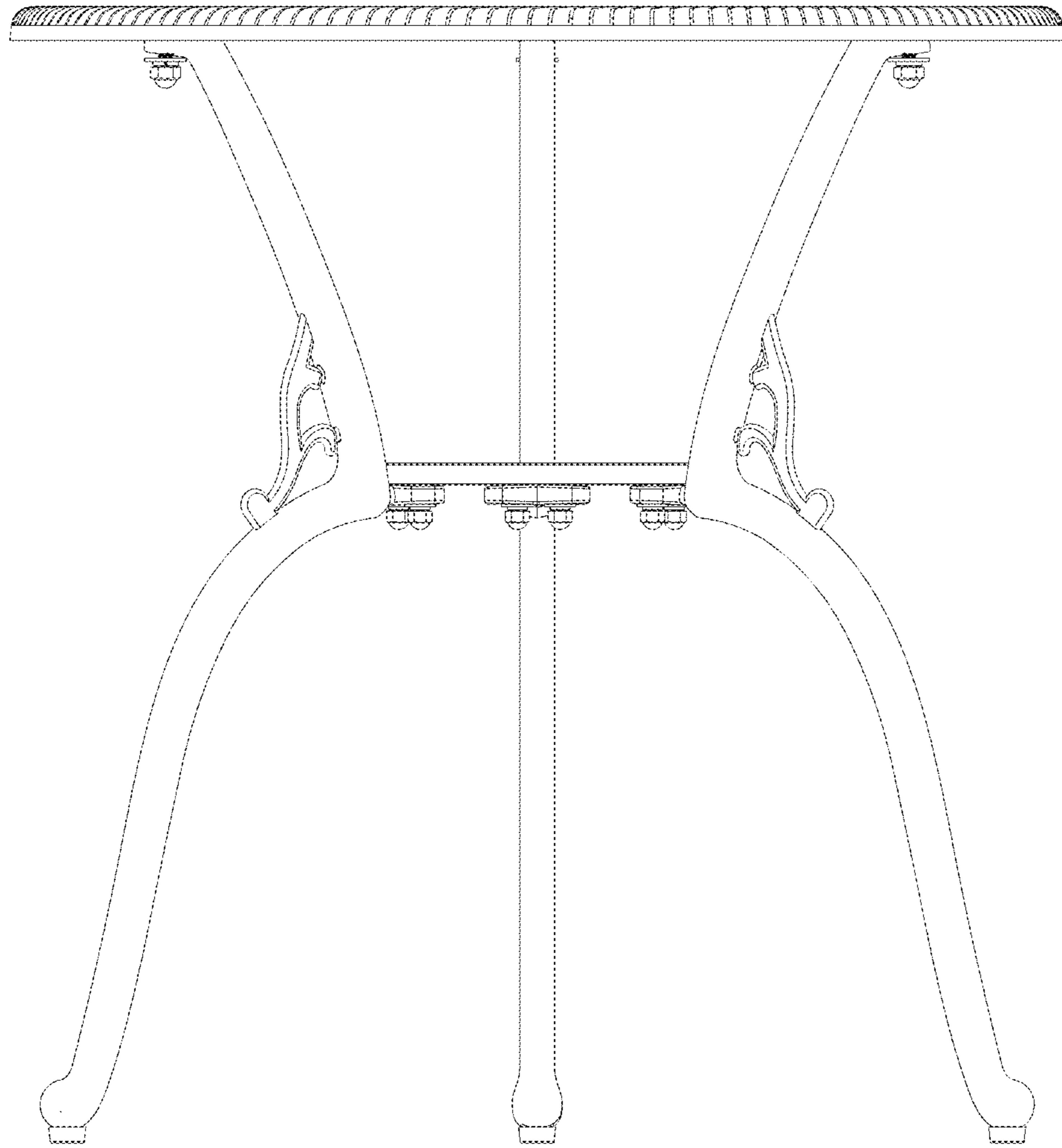


Fig. 1

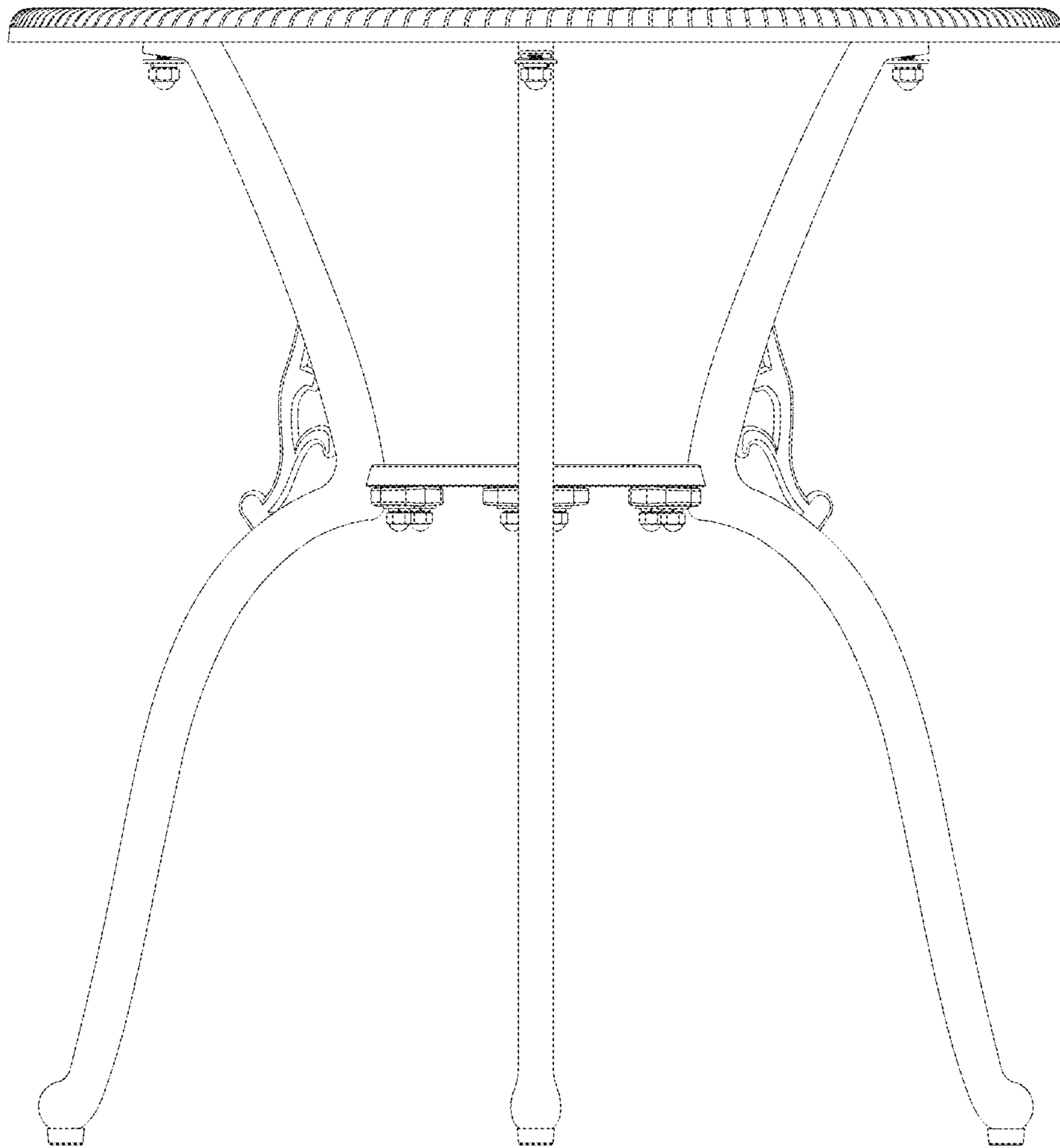


Fig. 2

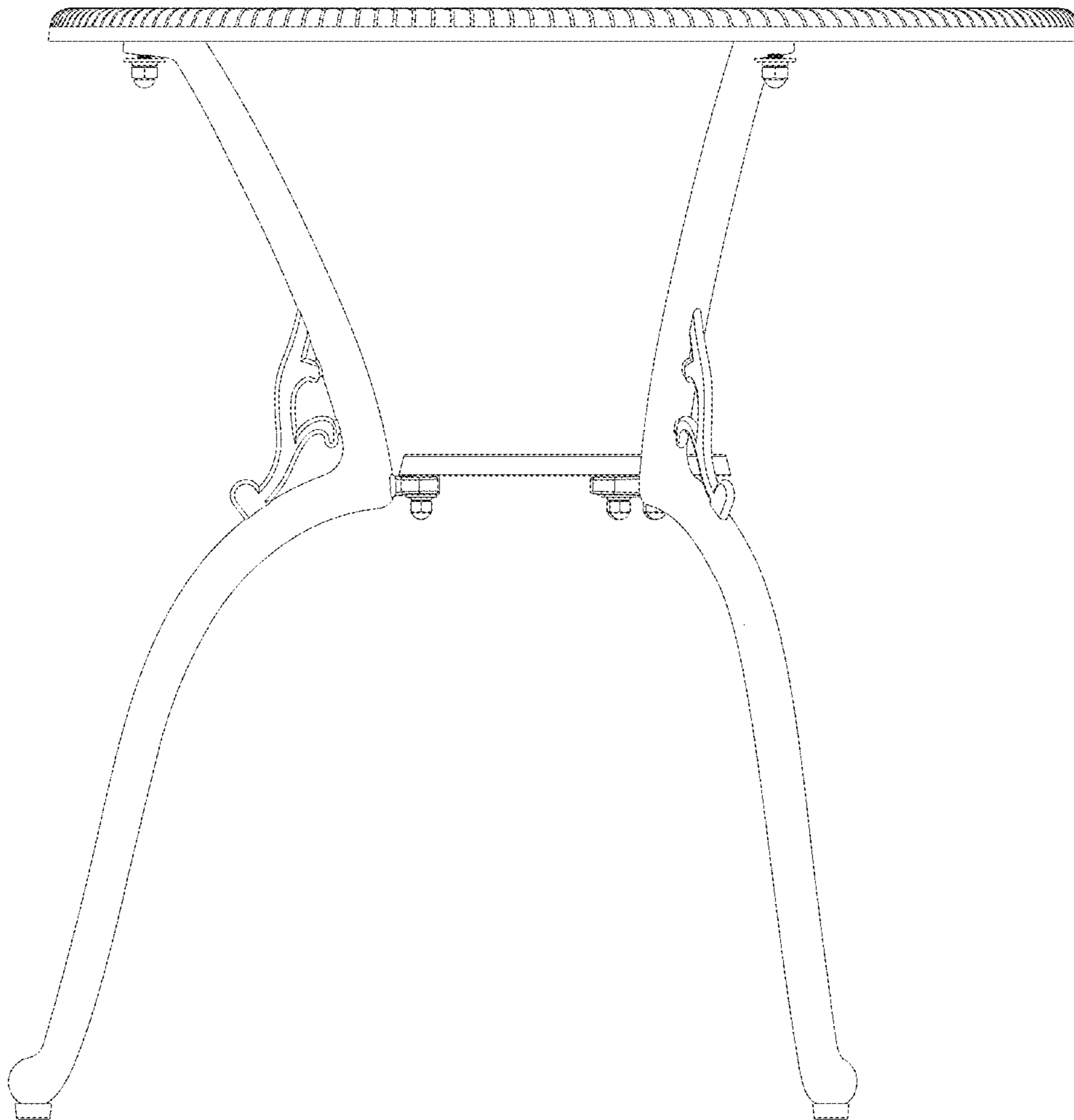


Fig. 3

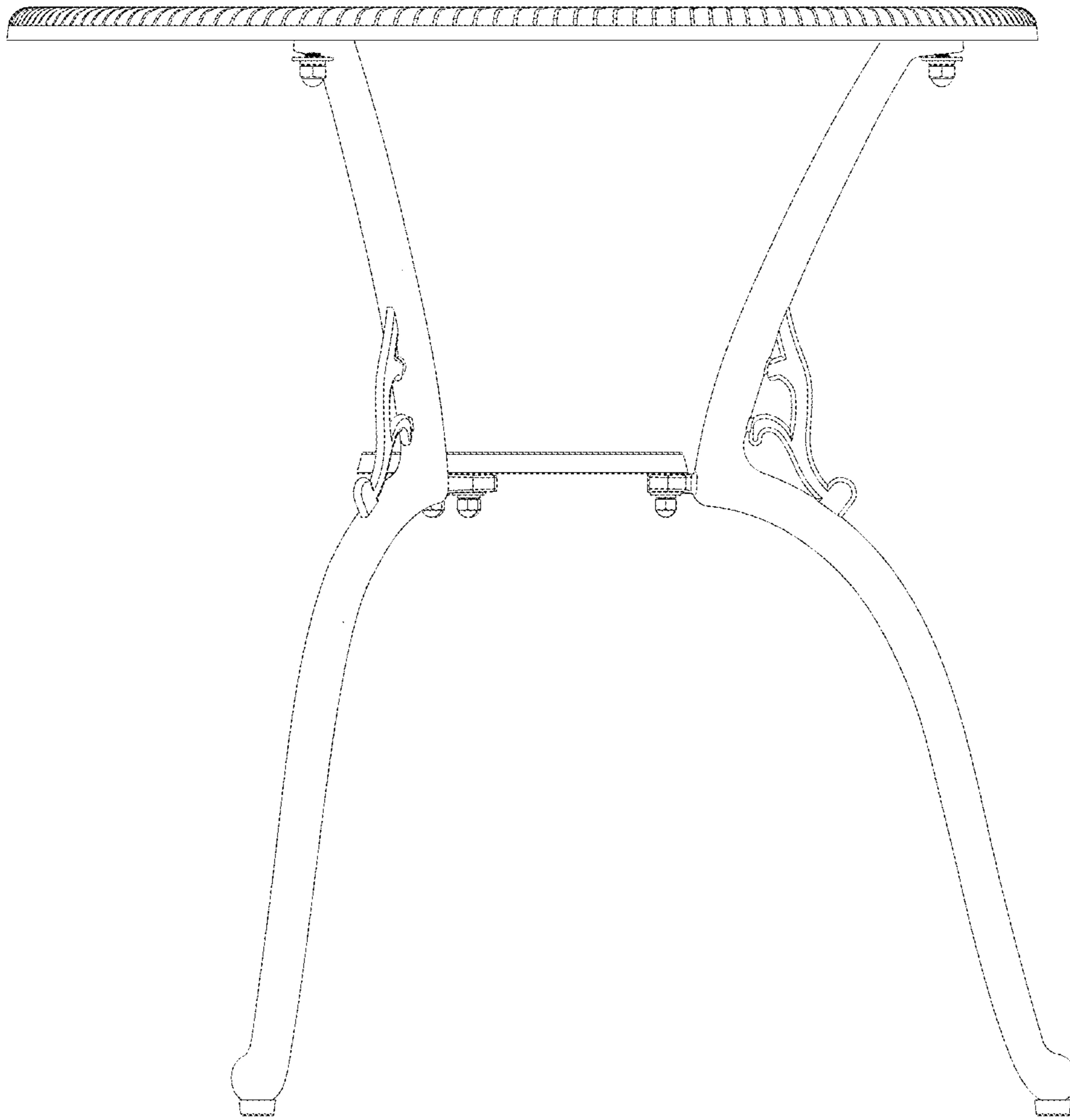


Fig. 4

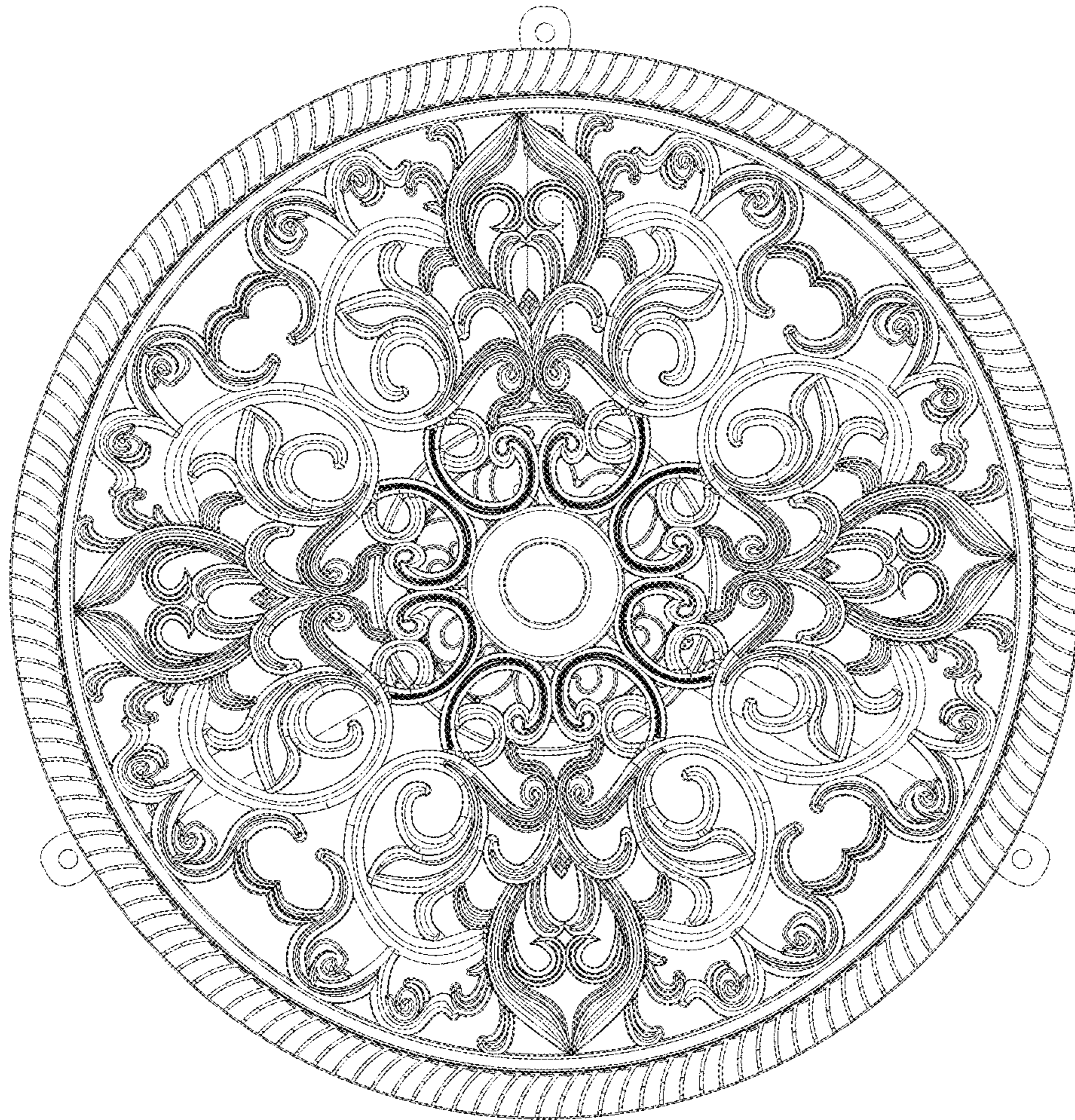


Fig. 5

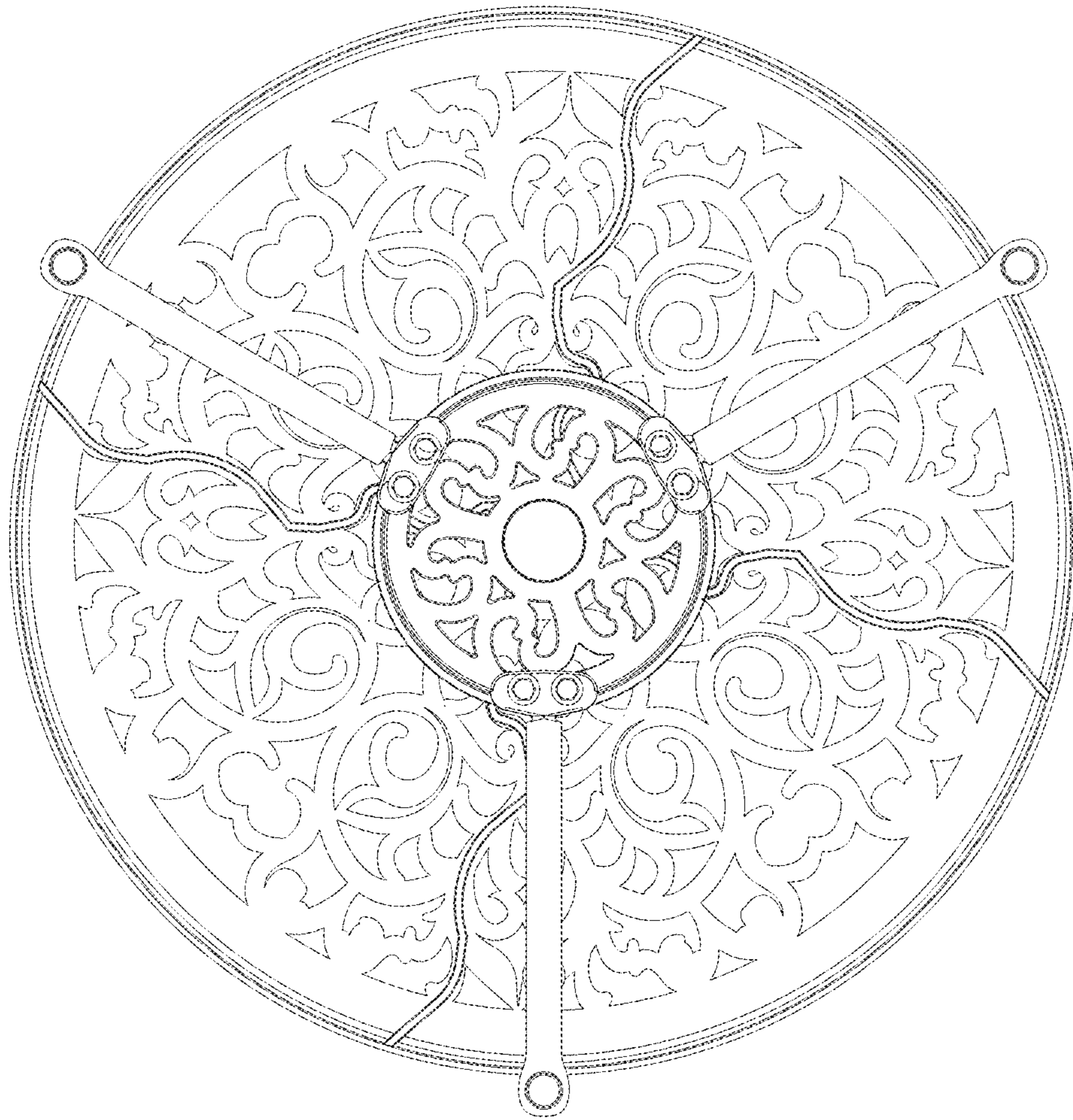


Fig. 6

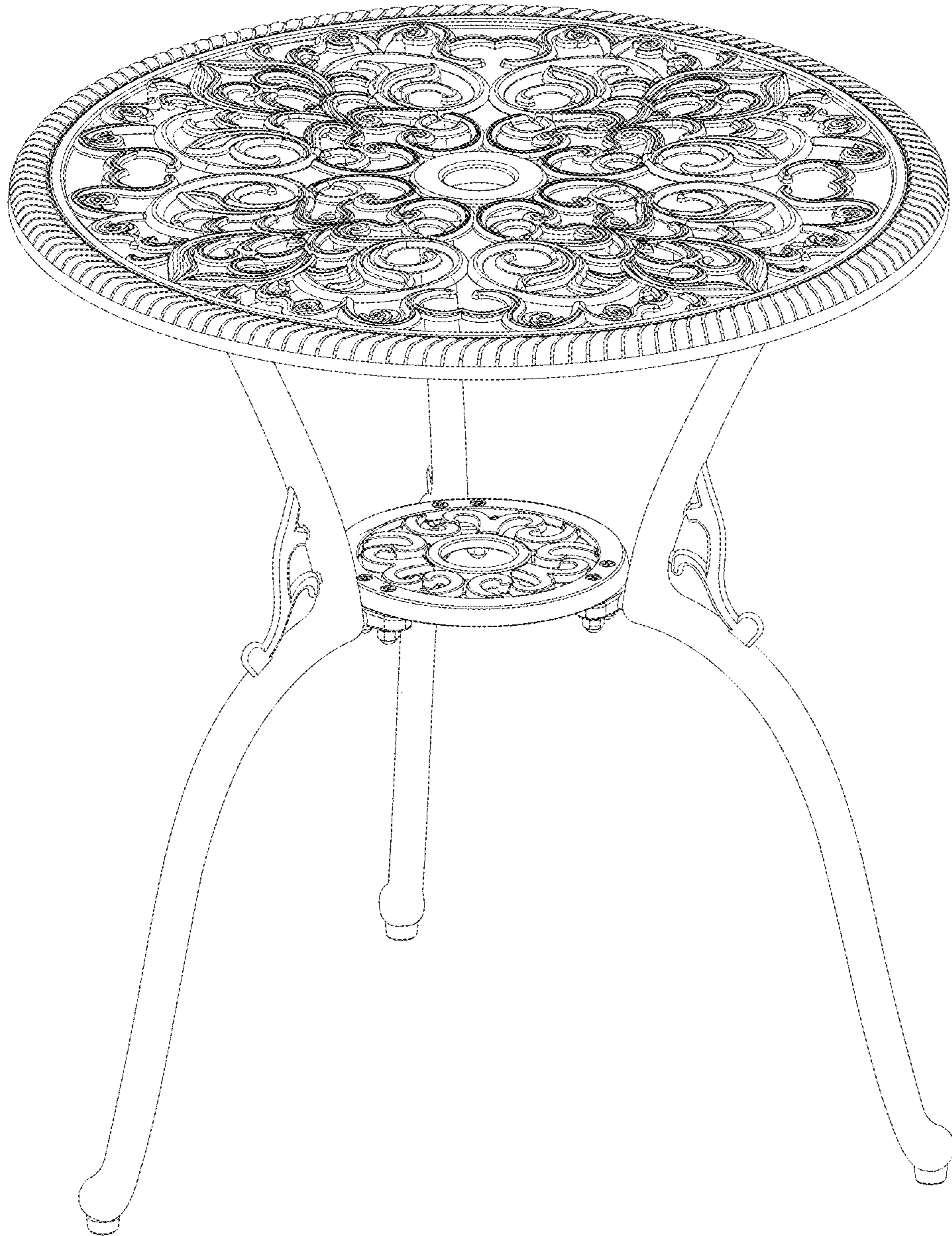


Fig. 7



Fig. 8