



US00D778643S

(12) **United States Design Patent** (10) **Patent No.:** **US D778,643 S**
Williams (45) **Date of Patent:** **** Feb. 14, 2017**

(54) **DISPLAY CASE**
(71) Applicant: **Thomas S. Williams**, Erie, PA (US)
(72) Inventor: **Thomas S. Williams**, Erie, PA (US)
(**) Term: **15 Years**
(21) Appl. No.: **29/568,460**
(22) Filed: **Jun. 17, 2016**

Related U.S. Application Data

(62) Division of application No. 29/531,146, filed on Jun. 23, 2015, now Pat. No. Des. 762,404.
(51) **LOC (10) Cl.** **06-06**
(52) **U.S. Cl.**
USPC **D6/682.2**
(58) **Field of Classification Search**
USPC D6/682, 682.2; D7/590, 598, 600.1, 601,
D7/602, 701, 707, 619.1
CPC . A47G 7/002; A47G 23/0641; A47G 23/0316
See application file for complete search history.

References Cited

U.S. PATENT DOCUMENTS

D283,283 S * 4/1986 Sollen D6/535
D283,287 S * 4/1986 Bosteels D11/154
D322,194 S * 12/1991 Egan, Jr. D7/708.1
D449,206 S * 10/2001 DuBow D7/708.1
D452,097 S * 12/2001 Zetsche D6/535
D453,646 S * 2/2002 Gottwald D6/535
7,229,051 B2 * 6/2007 Mailhot, Jr. A61M 5/1418
211/70.6
D618,938 S * 7/2010 Nielsen D6/553

D625,150 S * 10/2010 Ciarrocchi, Jr. D7/600.1
D703,266 S * 4/2014 Larson D19/77
D730,125 S * 5/2015 Alyesworth D7/620
D743,837 S * 11/2015 Zand D11/146
D762,404 S * 8/2016 Williams D6/682.2
2005/0082456 A1 * 4/2005 Petri B65G 17/323
248/312
2010/0012807 A1 * 1/2010 Perman A45F 5/02
248/312

* cited by examiner

Primary Examiner — Kelley Donnelly

(74) *Attorney, Agent, or Firm* — Jonathan M. D’Silva;
MMI Intellectual Property

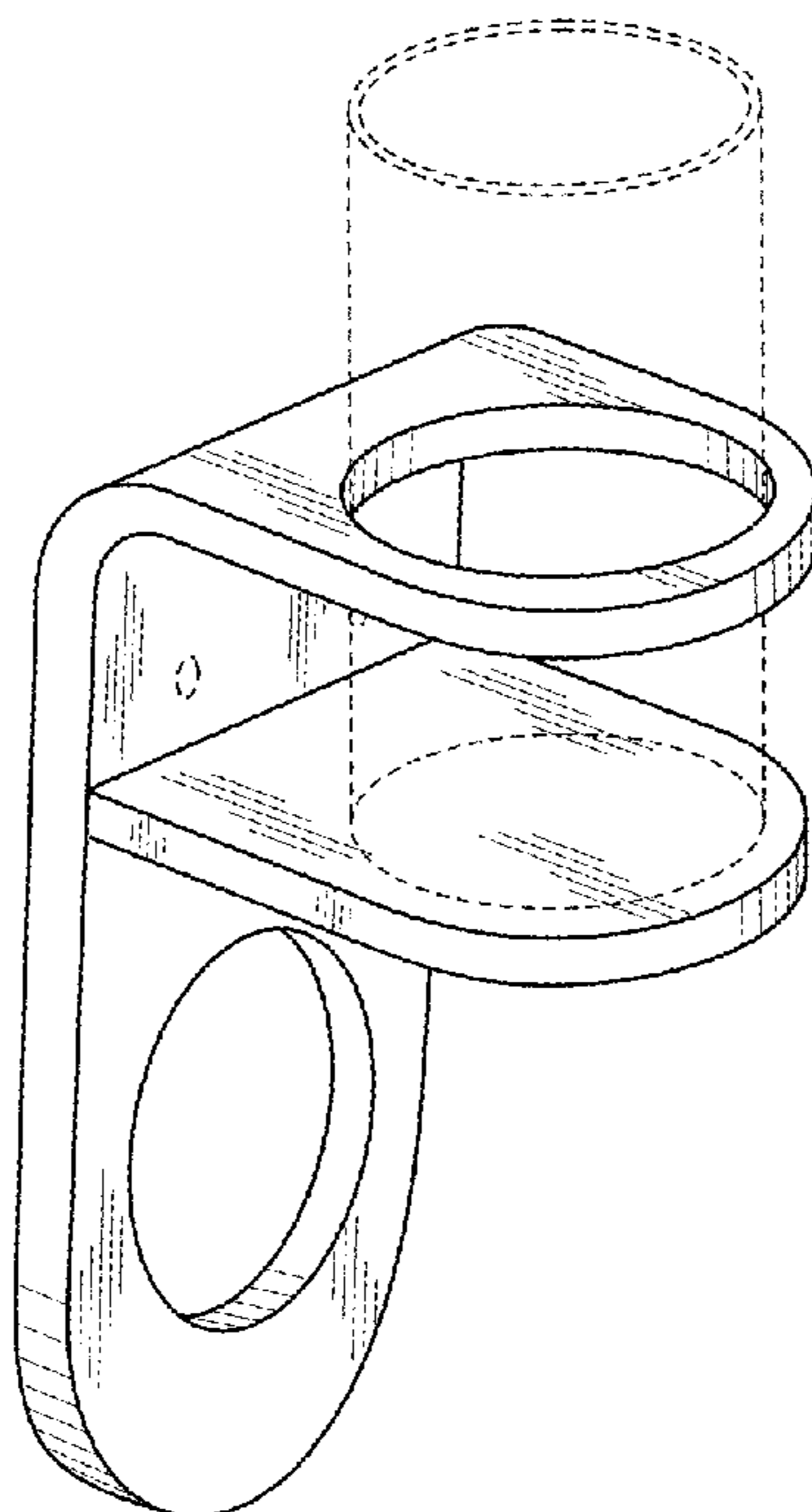
(57) **CLAIM**

The ornamental design for a display case, as shown and described.

DESCRIPTION

FIG. 1 is a top perspective view of a display case showing my new design;
FIG. 2 is a front view thereof;
FIG. 3 is a back view thereof;
FIG. 4 is a right side elevation view thereof;
FIG. 5 is left side elevation view thereof;
FIG. 6 is a top plan view thereof; and,
FIG. 7 is a bottom plan view thereof.
The broken lines of FIG. 1 illustrate a shot glass and is included for the purposes of illustrating the environment of the design only and forms no part of the claimed design.

1 Claim, 2 Drawing Sheets



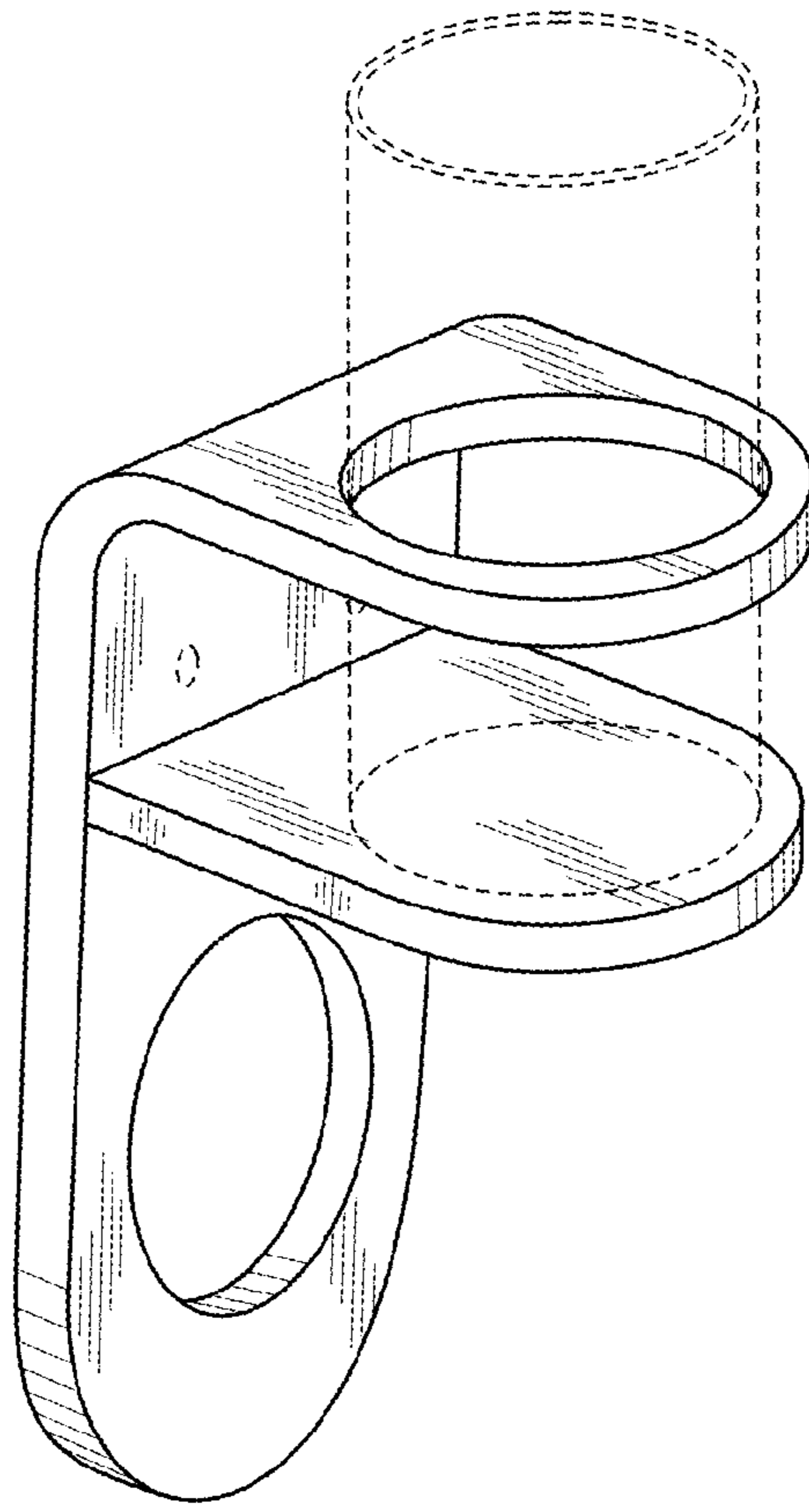


Fig. 1

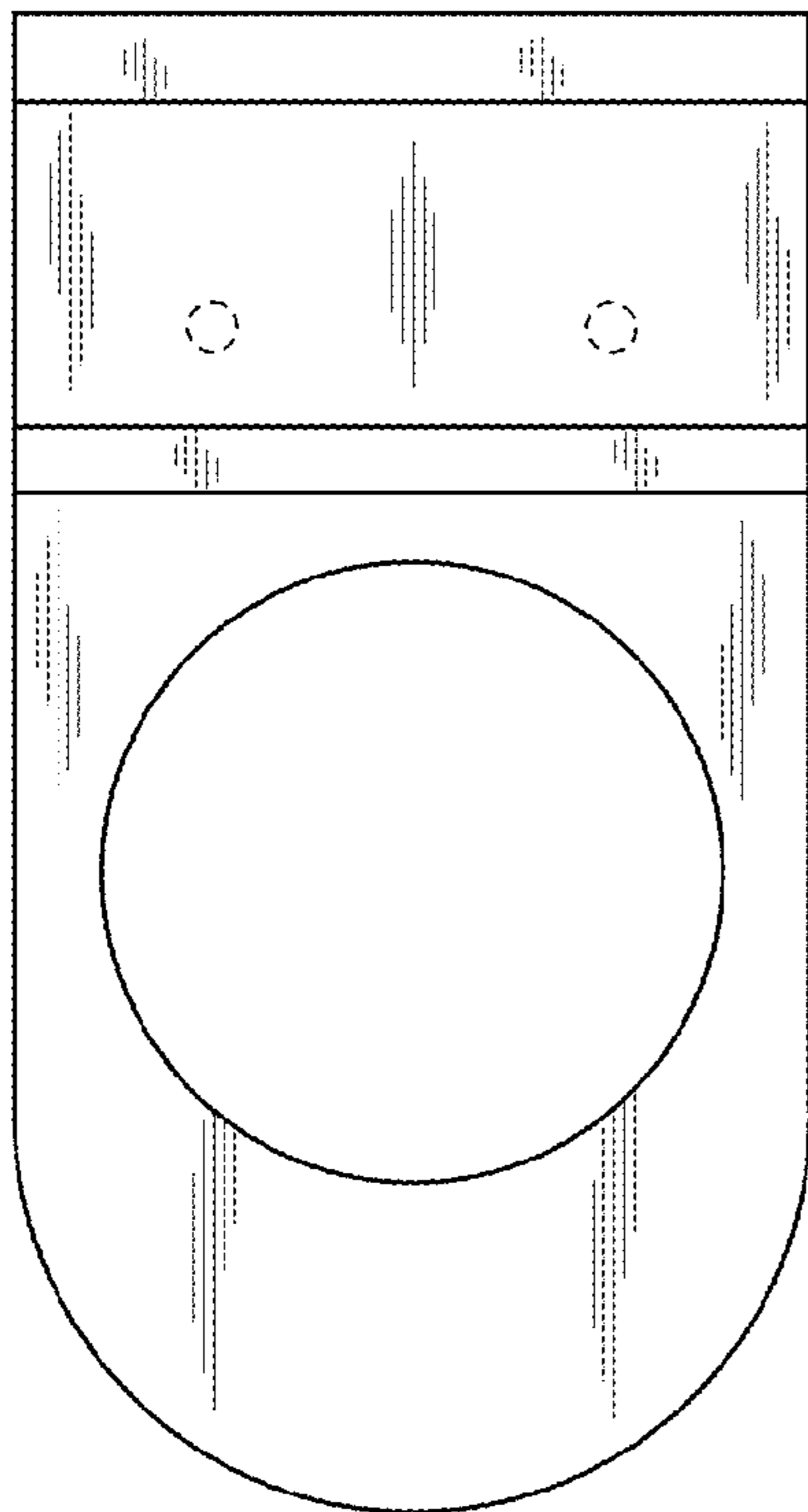


Fig. 2

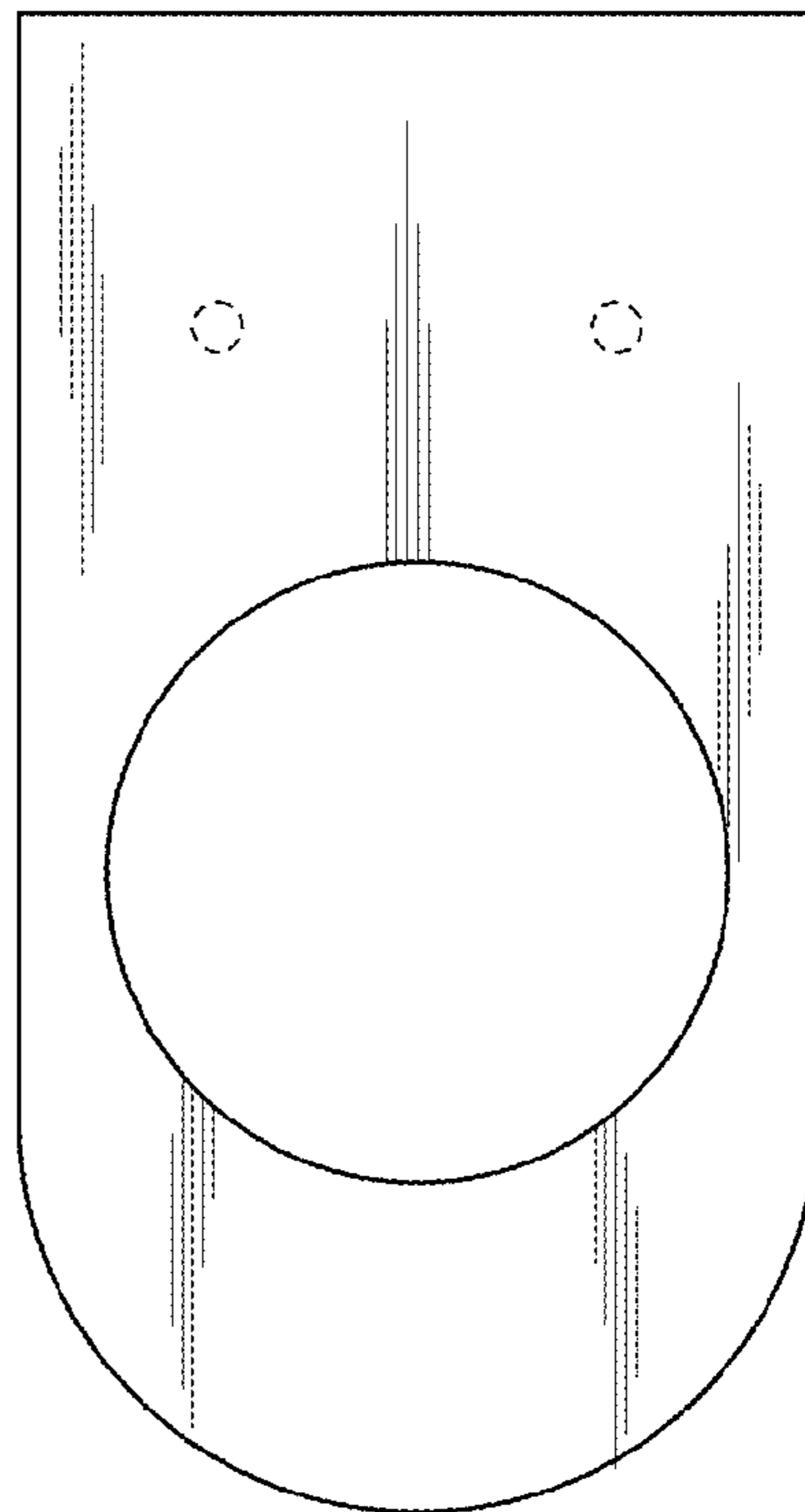


Fig. 3

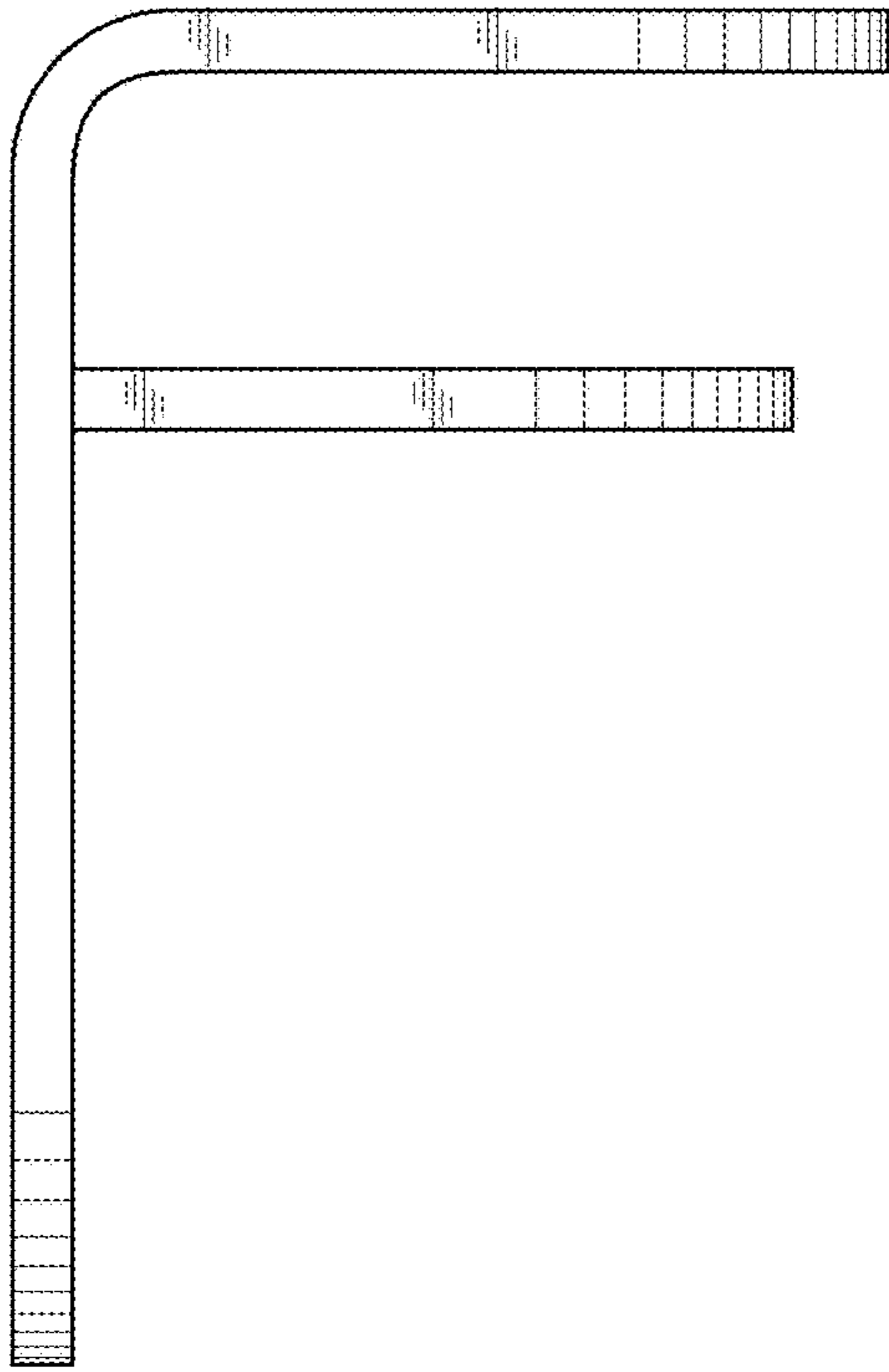


Fig. 4

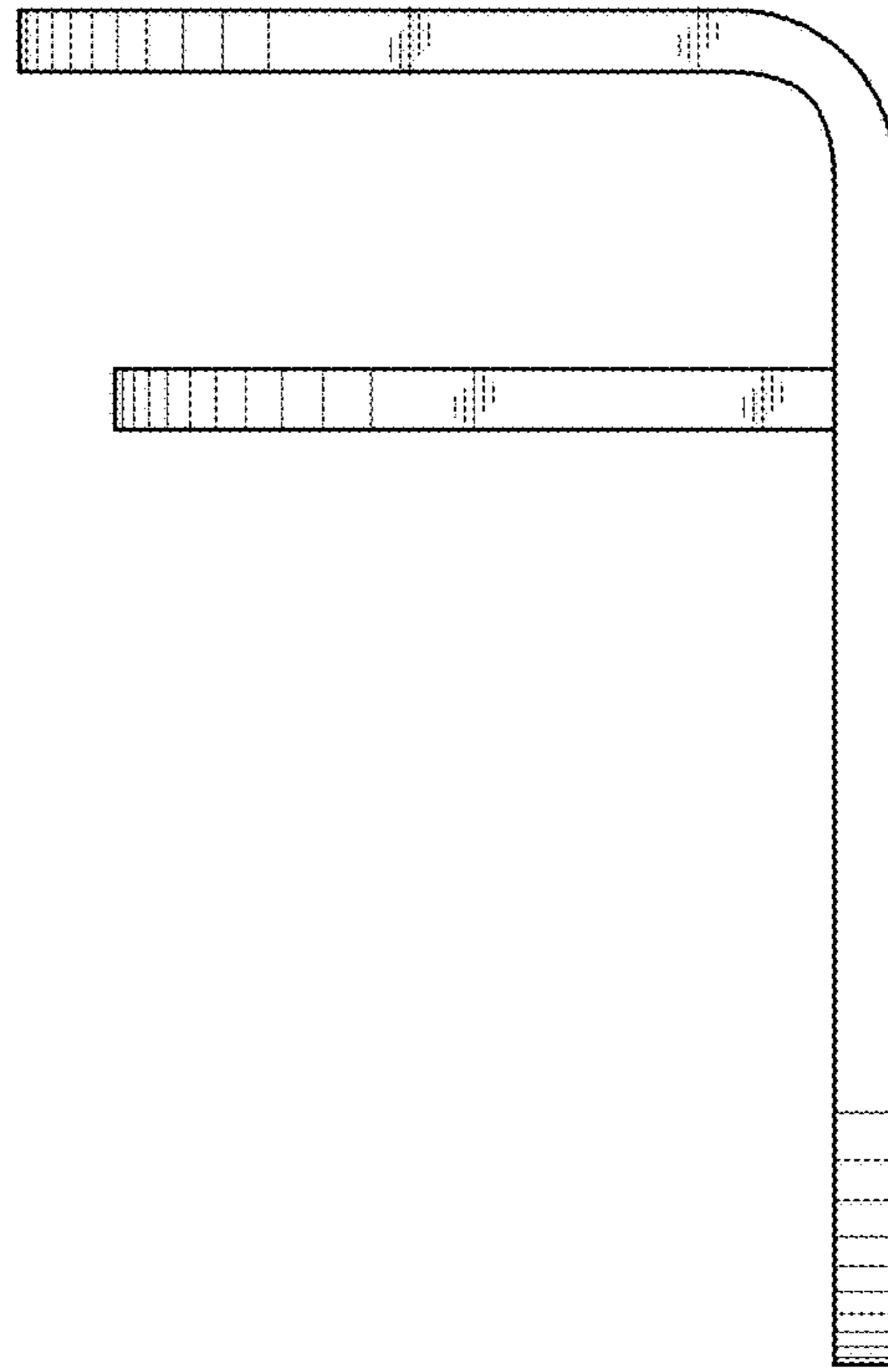


Fig. 5

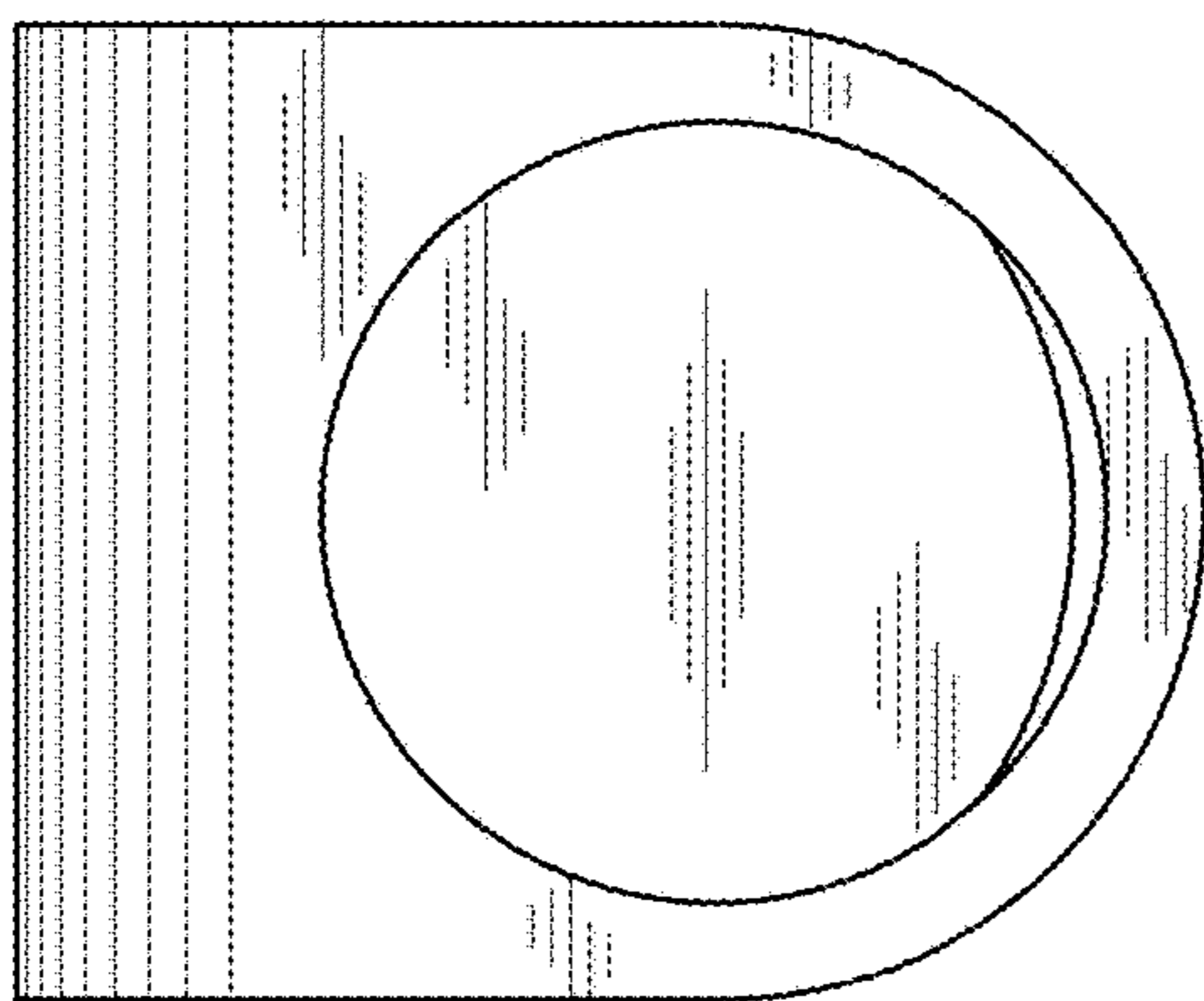


Fig. 6

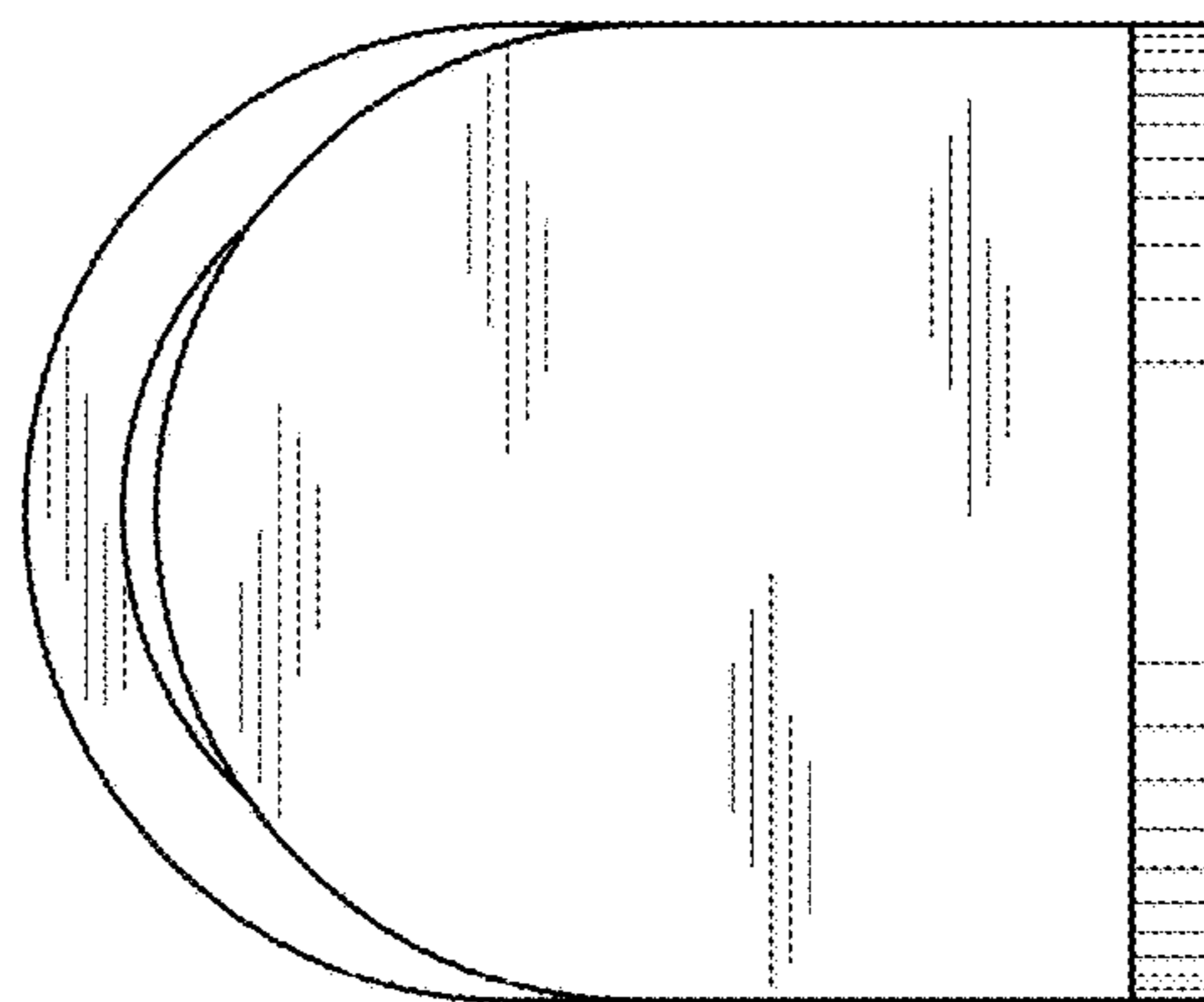


Fig. 7