



US00D778642S

(12) **United States Design Patent**
Tsai

(10) **Patent No.:** **US D778,642 S**

(45) **Date of Patent:** **** Feb. 14, 2017**

(54) **PAN RACK**

(71) Applicant: **PRETTY STAR STORE LLC**,
Rowland Heights, CA (US)

(72) Inventor: **Tsung-Yu Tsai**, Changhua (TW)

(73) Assignee: **PRETTY STAR STORE LLC**,
Rowland Heights, CA (US)

(**) Term: **15 Years**

(21) Appl. No.: **29/536,917**

(22) Filed: **Aug. 20, 2015**

(51) **LOC (10) Cl.** **06-06**

(52) **U.S. Cl.**
USPC **D6/678.4; D7/704**

(58) **Field of Classification Search**
USPC D7/704, 600.1–600.4; D6/566, 678.4,
D6/676.5, 677.5, 678, 680.3
CPC A47B 87/0207; A47B 77/14; A47J 47/16;
A47F 7/148; A47F 5/01; A47L 19/04
See application file for complete search history.

(56) **References Cited**

U.S. PATENT DOCUMENTS

D364,074 S * 11/1995 Yeh D6/678.4
6,997,329 B2 * 2/2006 Ohanian A47J 47/16
211/181.1

D572,939 S * 7/2008 Murray D6/678.4
D677,077 S * 3/2013 Selby D6/678.4
D684,794 S * 6/2013 Fisher D6/678.4
D707,474 S * 6/2014 Tsai D6/678.4
D729,021 S * 5/2015 Goodman D7/704

* cited by examiner

Primary Examiner — Terry Wallace

(74) *Attorney, Agent, or Firm* — Muncy, Geissler, Olds &
Lowe, P.C.

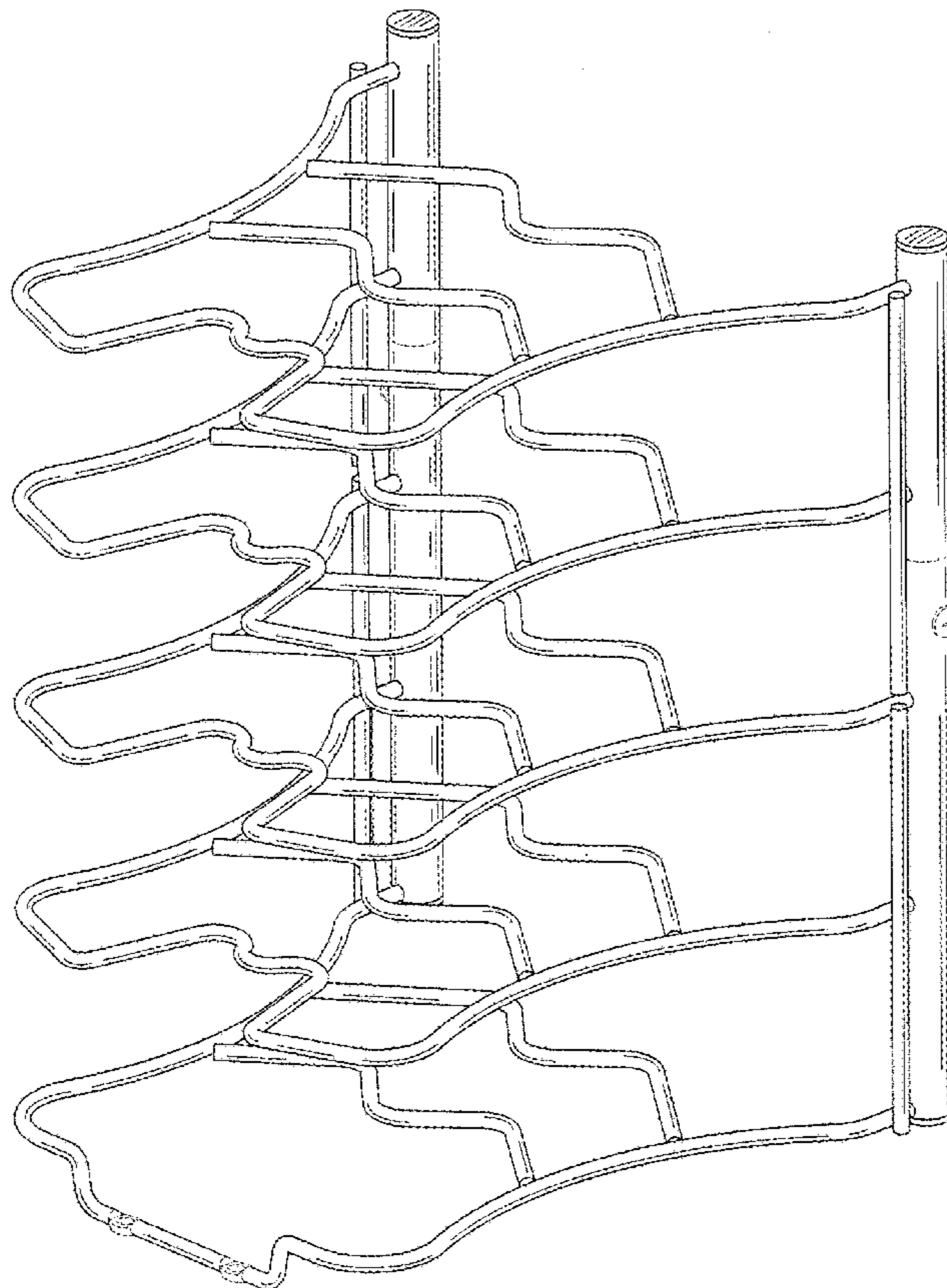
(57) **CLAIM**

The ornamental design for a pan rack, as shown and described.

DESCRIPTION

FIG. 1 is a perspective view of the present design;
FIG. 2 is a front view of the present design;
FIG. 3 is a rear view of the present design;
FIG. 4 is a left side view of the present design;
FIG. 5 is a right side view of the present design;
FIG. 6 is a top view of the present design; and,
FIG. 7 is a bottom view of the present design.
The broken lines showing structural features are for illustrative purposes only and form no part of the claimed design.

1 Claim, 7 Drawing Sheets



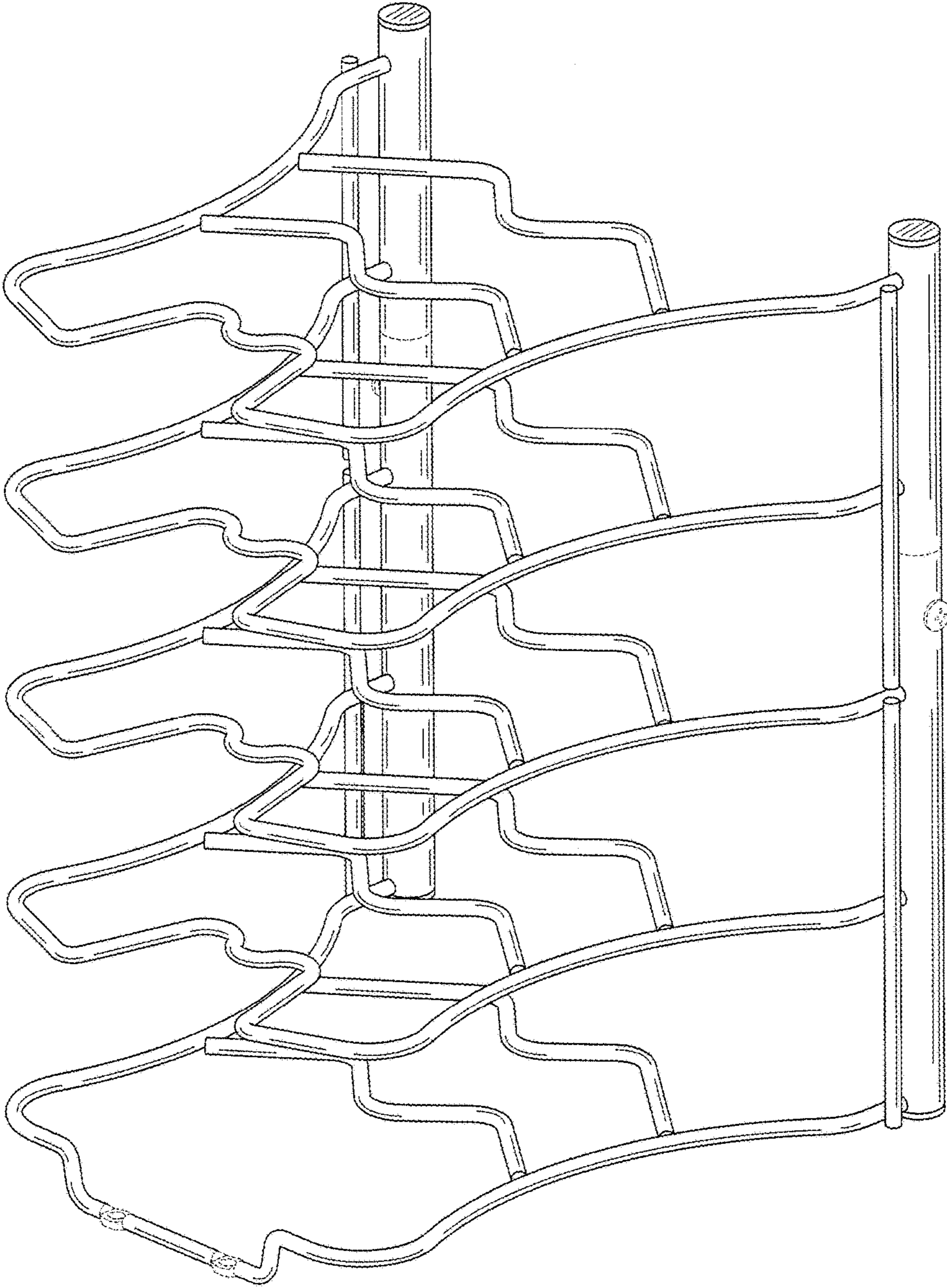


FIG. 1

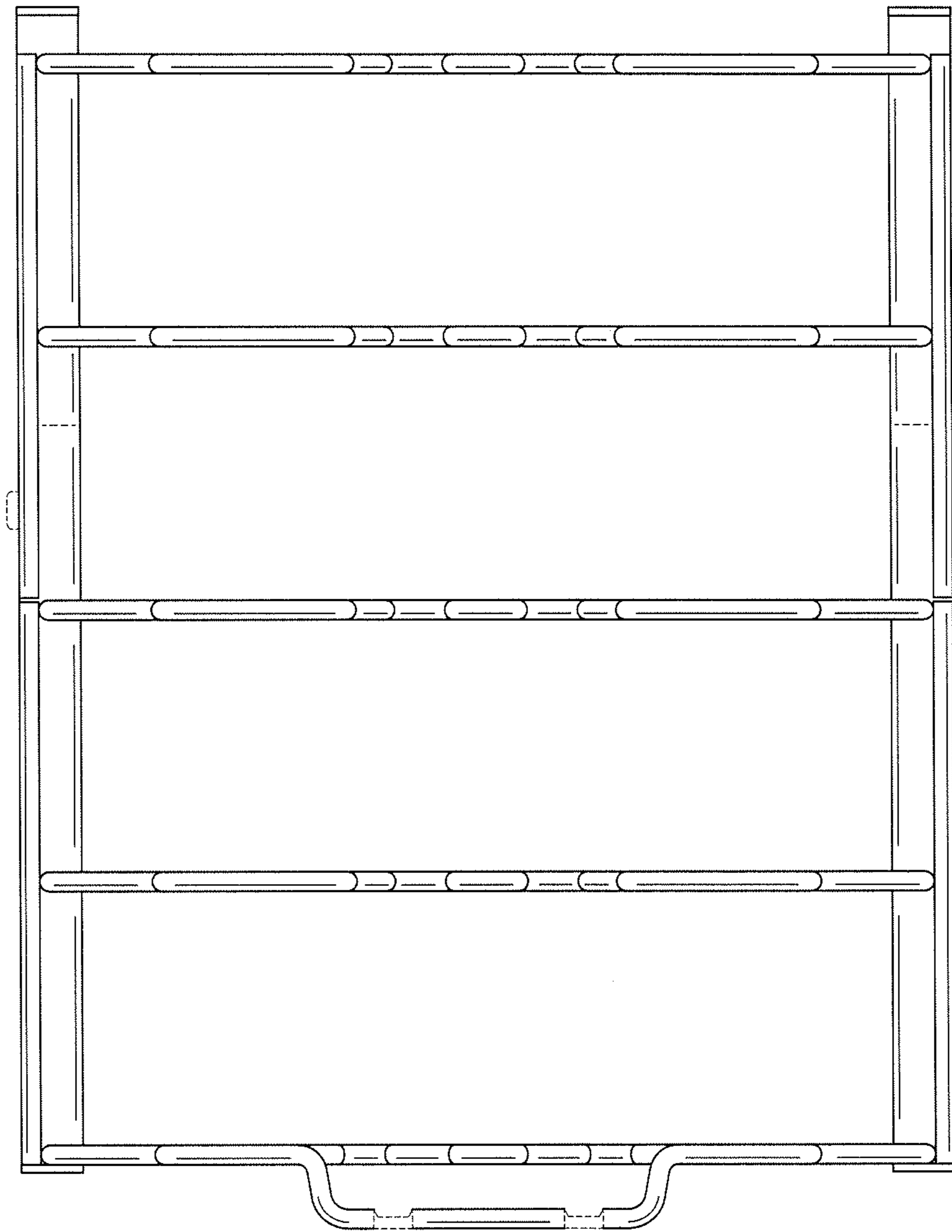


FIG. 2

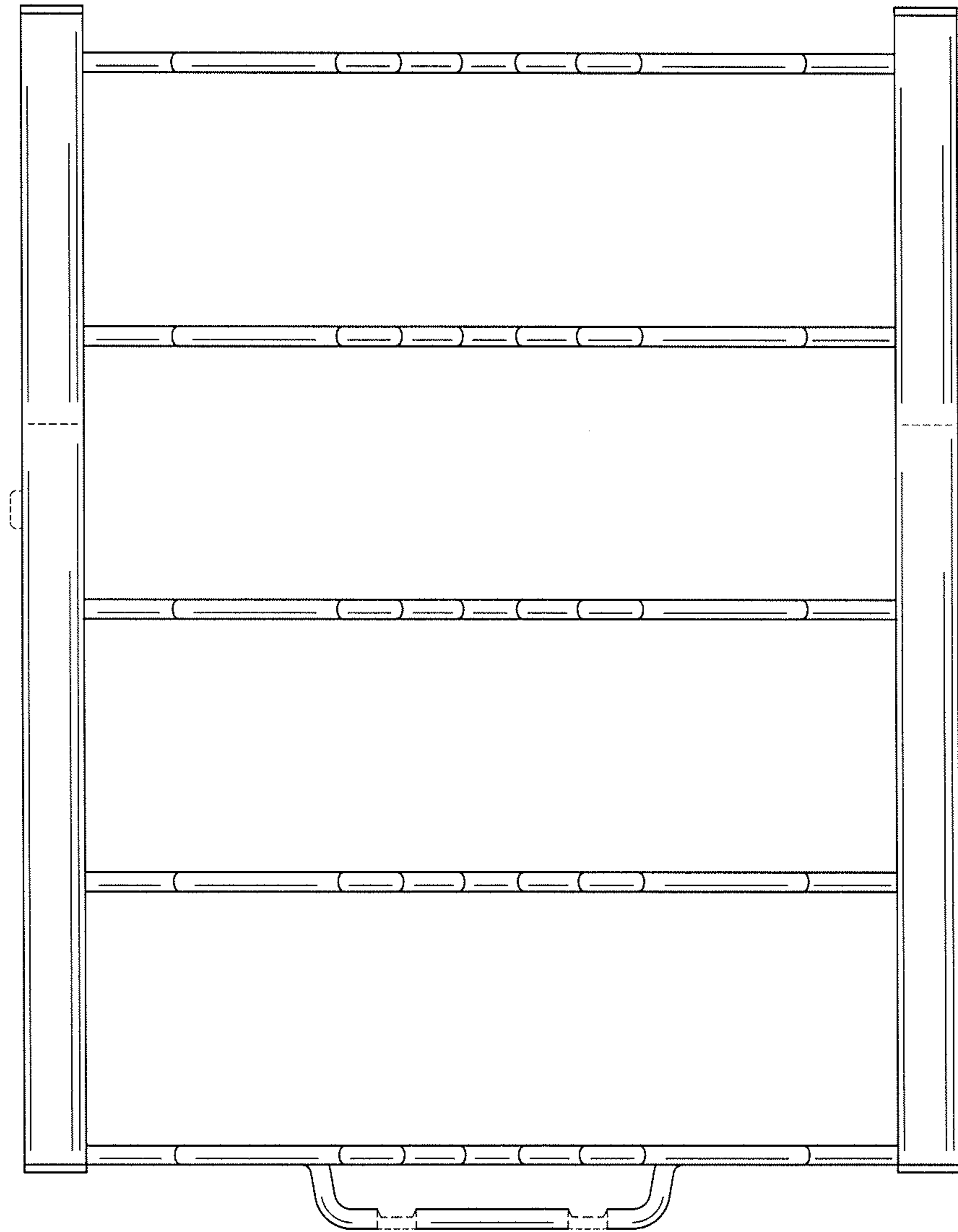


FIG. 3

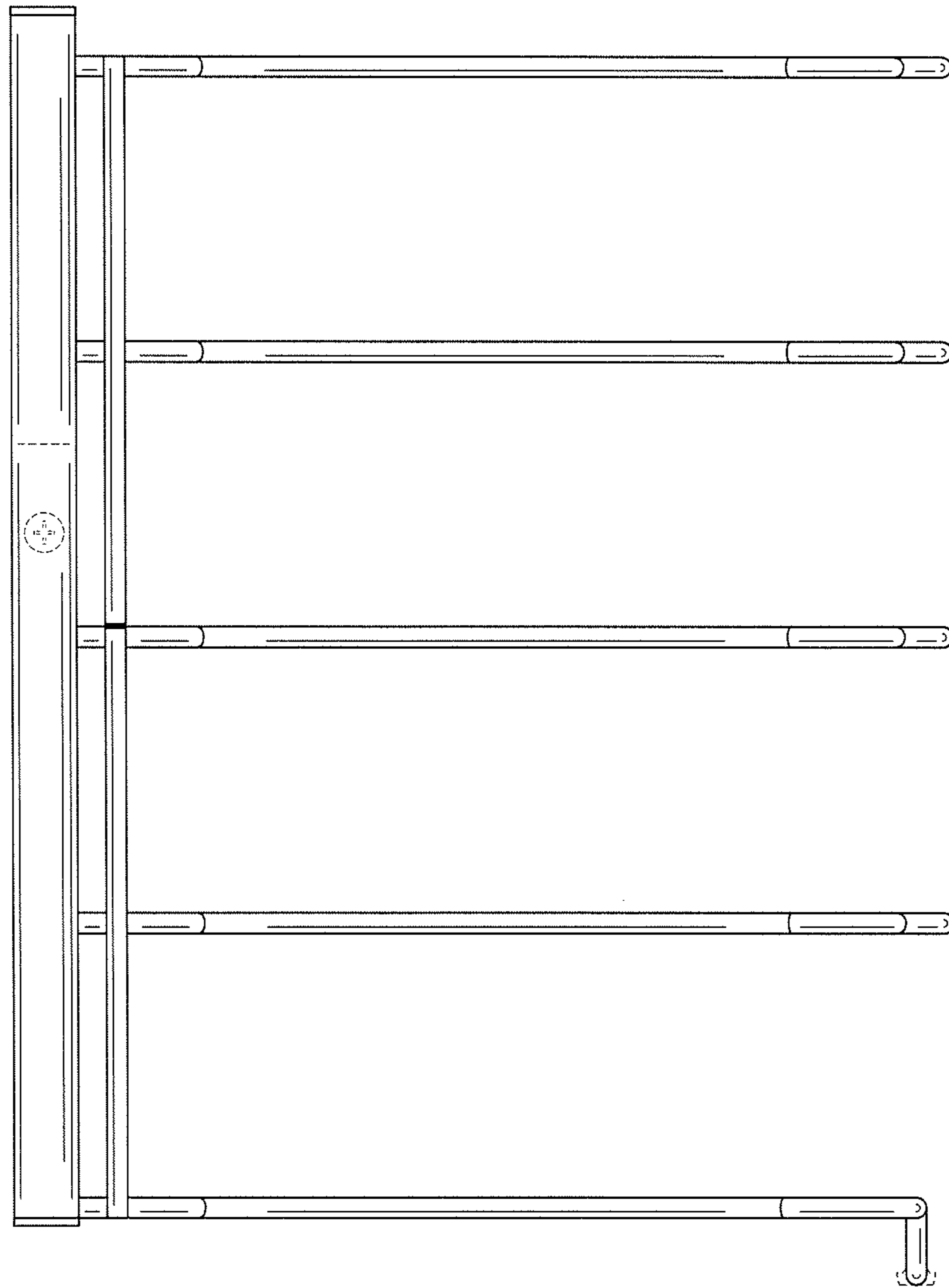


FIG. 4

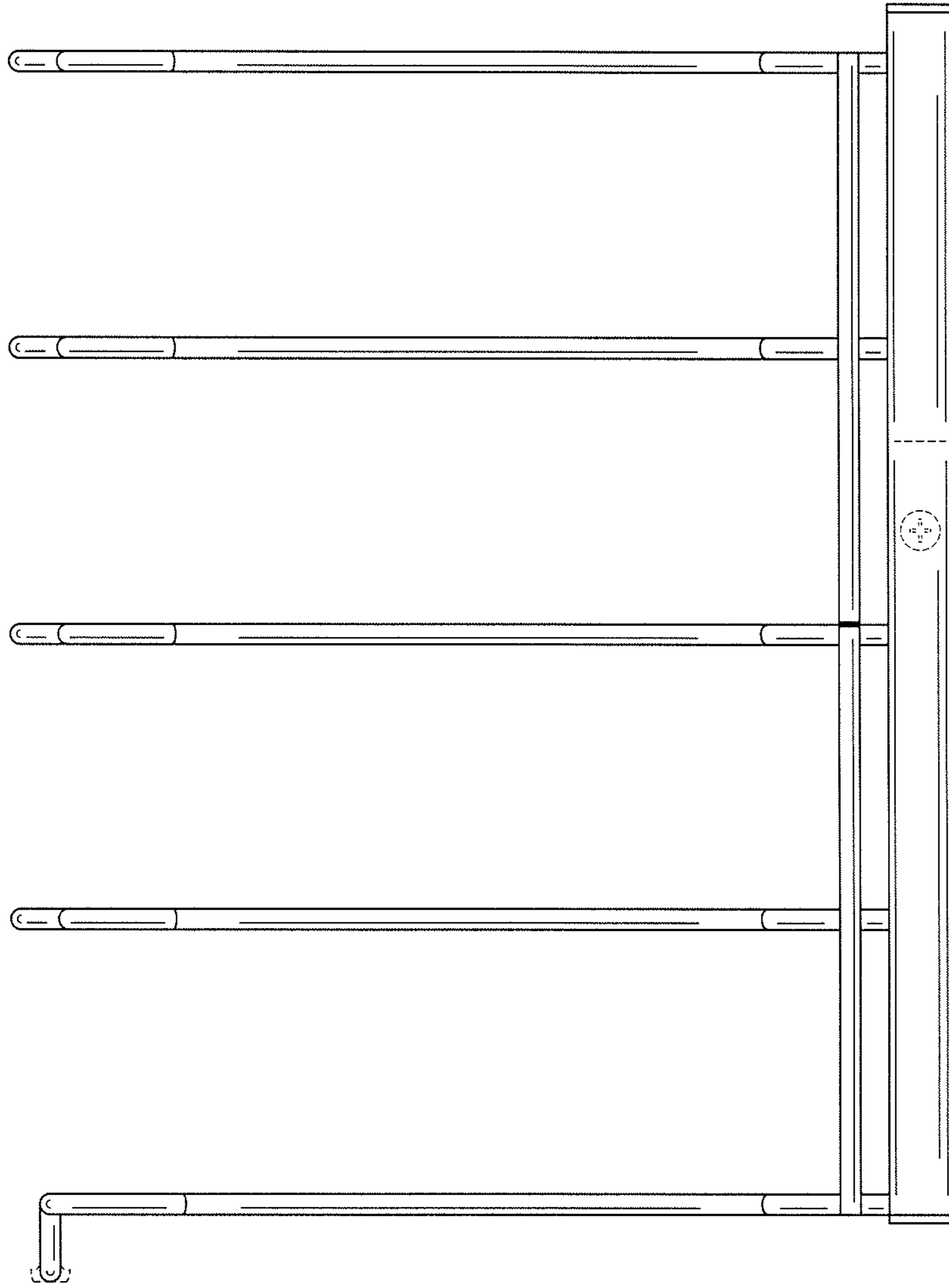


FIG. 5

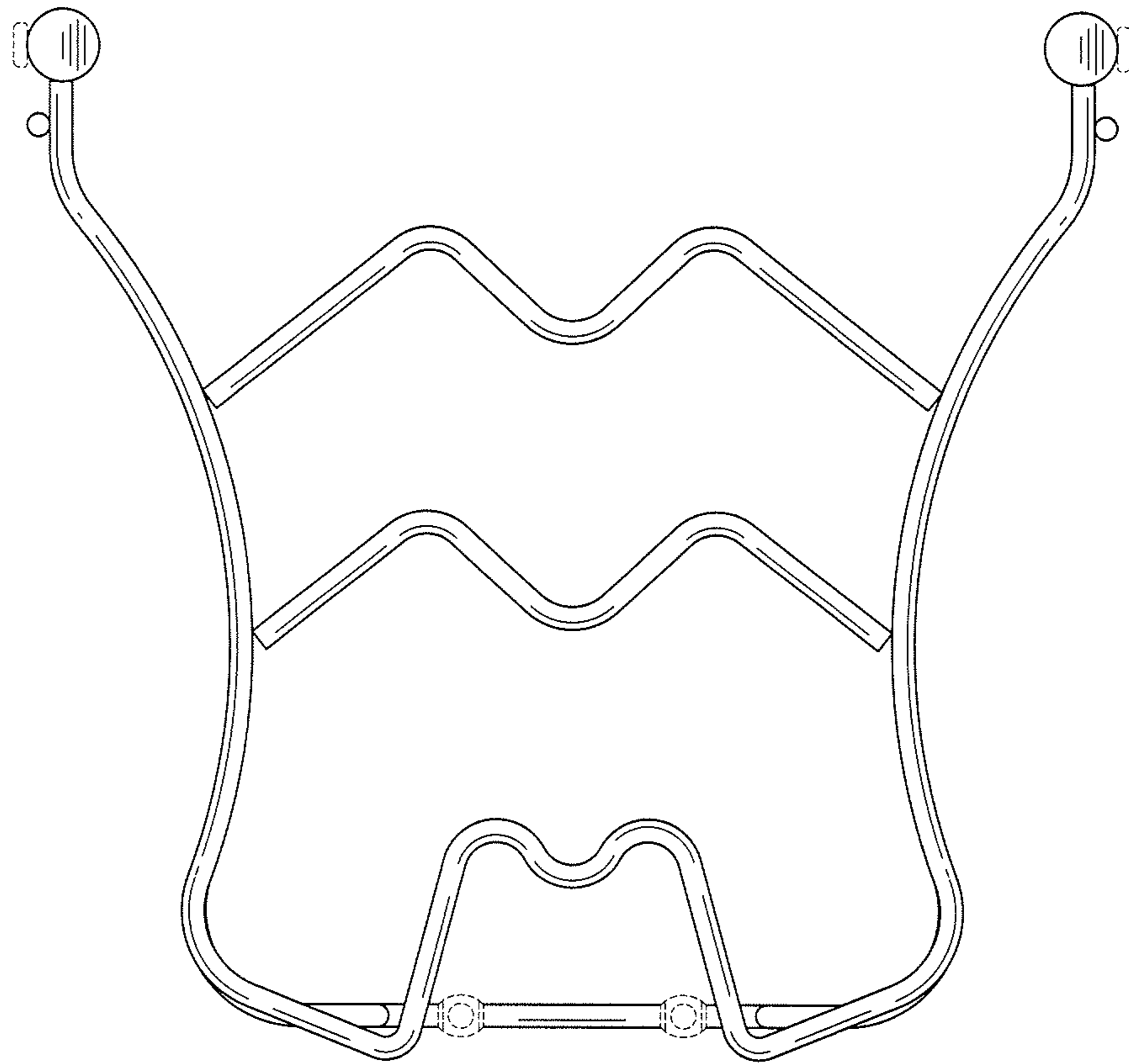


FIG. 6

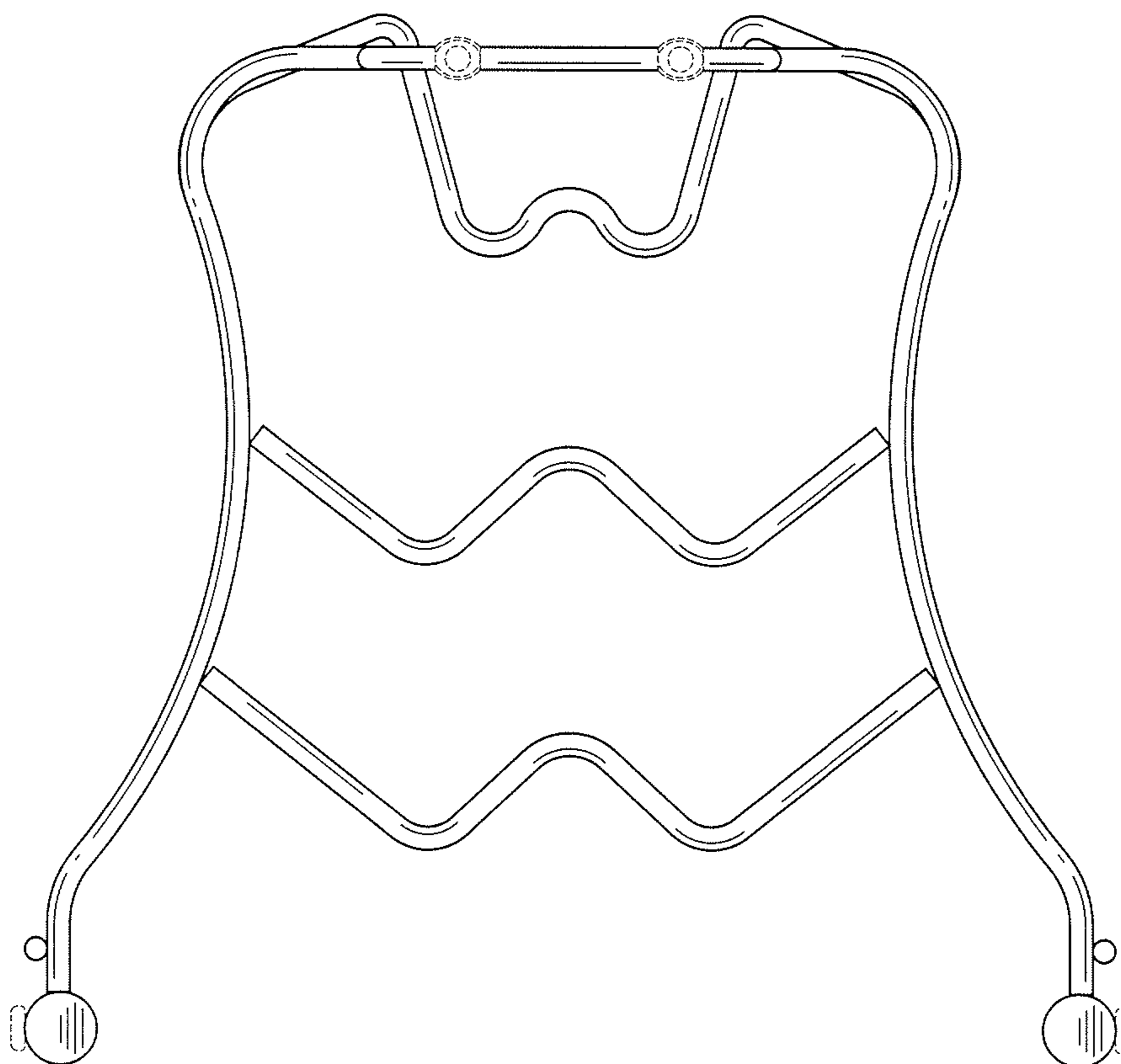


FIG. 7