



US00D778639S

(12) **United States Design Patent** (10) **Patent No.:** **US D778,639 S**  
**Rawls-Meehan et al.** (45) **Date of Patent:** **\*\* Feb. 14, 2017**

(54) **MATTRESS**  
(71) Applicant: **ASCION, LLC**, Bloomfield Hills, MI (US)  
(72) Inventors: **Martin B. Rawls-Meehan**, Franklin, MI (US); **Kyle Allen Nagelkirk**, Waterford, MI (US)  
(73) Assignee: **ASCION, LLC**, Bloomfield Hills, MI (US)

(\*\*) Term: **15 Years**

(21) Appl. No.: **29/545,478**

(22) Filed: **Nov. 13, 2015**

(51) **LOC (10) Cl.** ..... **06-09**

(52) **U.S. Cl.**  
USPC ..... **D6/605**

(58) **Field of Classification Search**  
USPC ..... D6/582-583, 587-592, 595-609, D6/617-622; D21/803-809; D24/183  
CPC ..... A47G 9/00; A47G 2009/001; A47G 2009/002; A47G 2009/003; A47G 2009/005; A47G 2009/006; A47G 9/02; A47G 9/0207; A47G 9/0215; A47G 9/0223; A47G 9/023; A47G 9/0238; A47G 9/0246; A47G 9/0253; A47G 9/0261; A47G 9/06; A47G 9/062; A47G 9/066; A47G 9/068; A47G 9/08; A47G 2009/0276; A47G 9/0284; A47G 9/0292; A47G 9/04; A47G 9/10  
See application file for complete search history.

(56) **References Cited**

**U.S. PATENT DOCUMENTS**

D640,082 S \* 6/2011 Morrison ..... D6/605  
D662,754 S \* 7/2012 Shive ..... D6/605

D663,152 S \* 7/2012 Shive ..... D6/605  
D683,992 S \* 6/2013 Gladney ..... D6/605  
D707,060 S \* 6/2014 Tjoflat ..... D6/605  
D707,061 S \* 6/2014 Tjoflat ..... D6/605  
D711,160 S \* 8/2014 Arnold ..... D6/605  
D717,077 S \* 11/2014 Arnold ..... D6/605  
D717,078 S \* 11/2014 Arnold ..... D6/605  
D717,561 S \* 11/2014 Wurst ..... D6/382  
8,918,930 B2 \* 12/2014 Stroh ..... F04D 25/08 5/423  
D746,083 S \* 12/2015 Jensen ..... D6/606  
D746,085 S \* 12/2015 Jensen ..... D6/606

\* cited by examiner

*Primary Examiner* — Mary Ann Calabrese  
*Assistant Examiner* — Jennifer L Rempfer  
(74) *Attorney, Agent, or Firm* — Dinsmore & Shohl LLP; Douglas Wathen

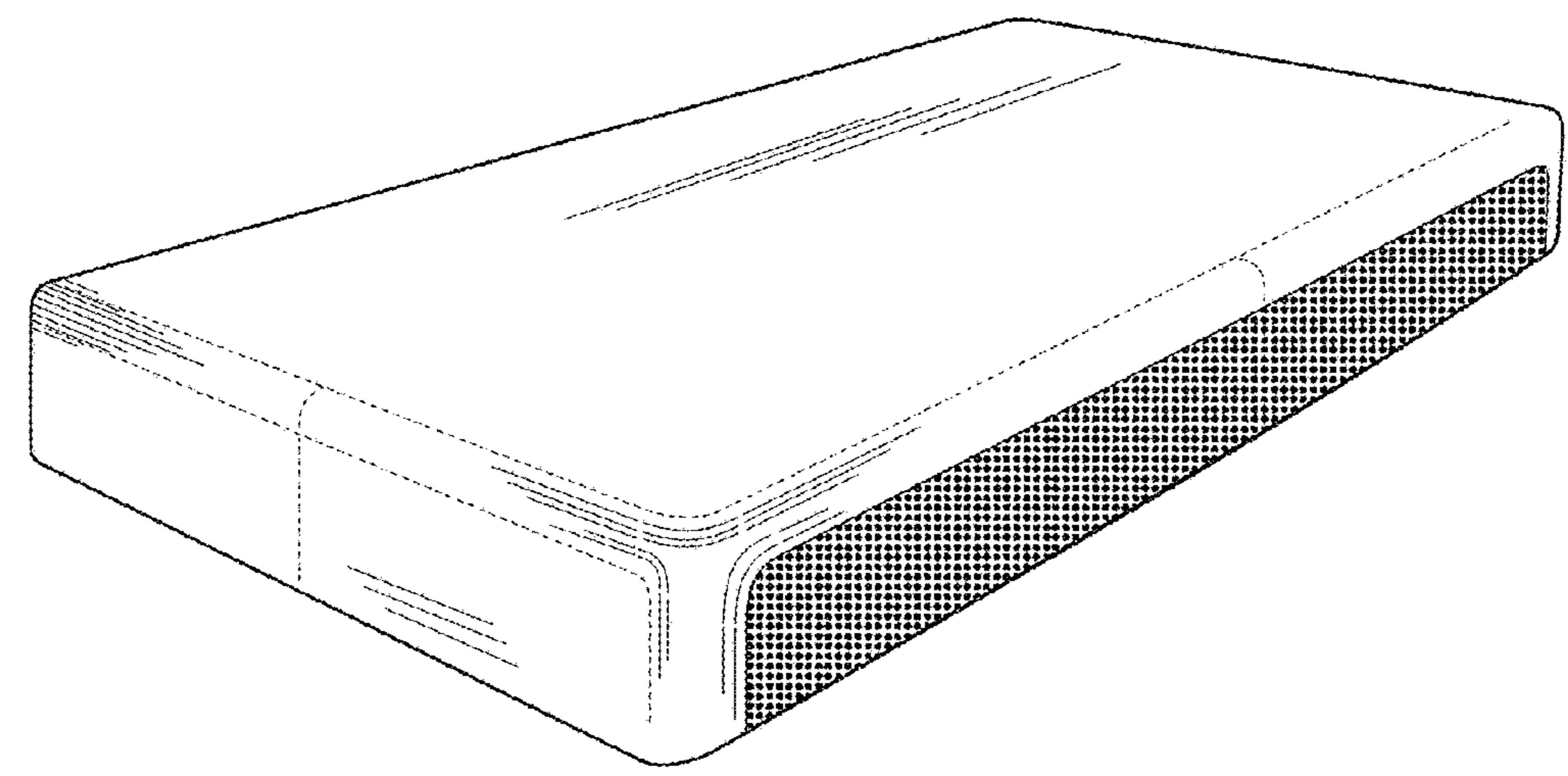
(57) **CLAIM**

The ornamental design for a mattress, as shown and described.

**DESCRIPTION**

FIG. 1 is a perspective view of a mattress in accordance with the present invention;  
FIG. 2 is an end view of the mattress of FIG. 1, the opposite end being a mirror image thereof;  
FIG. 3 is a side view of the mattress of FIGS. 1 and 2, the opposite side being a mirror image thereof;  
FIG. 4 is a top view of the mattress of FIGS. 1-3;  
FIG. 5 is a fragmentary detailed perspective view of one corner of the mattress of FIGS. 1-4; and,  
FIG. 6 is a bottom view of the mattress of FIGS. 1-5.  
The broken lines shown in the drawings represent portions of the mattress that form no part of the claimed design.  
The stippling shown in the Figures indicates contrasting tone, contrasting color, contrasting materials or contrasting surface treatment as compared to the portion of the mattress without stippling.

**1 Claim, 6 Drawing Sheets**



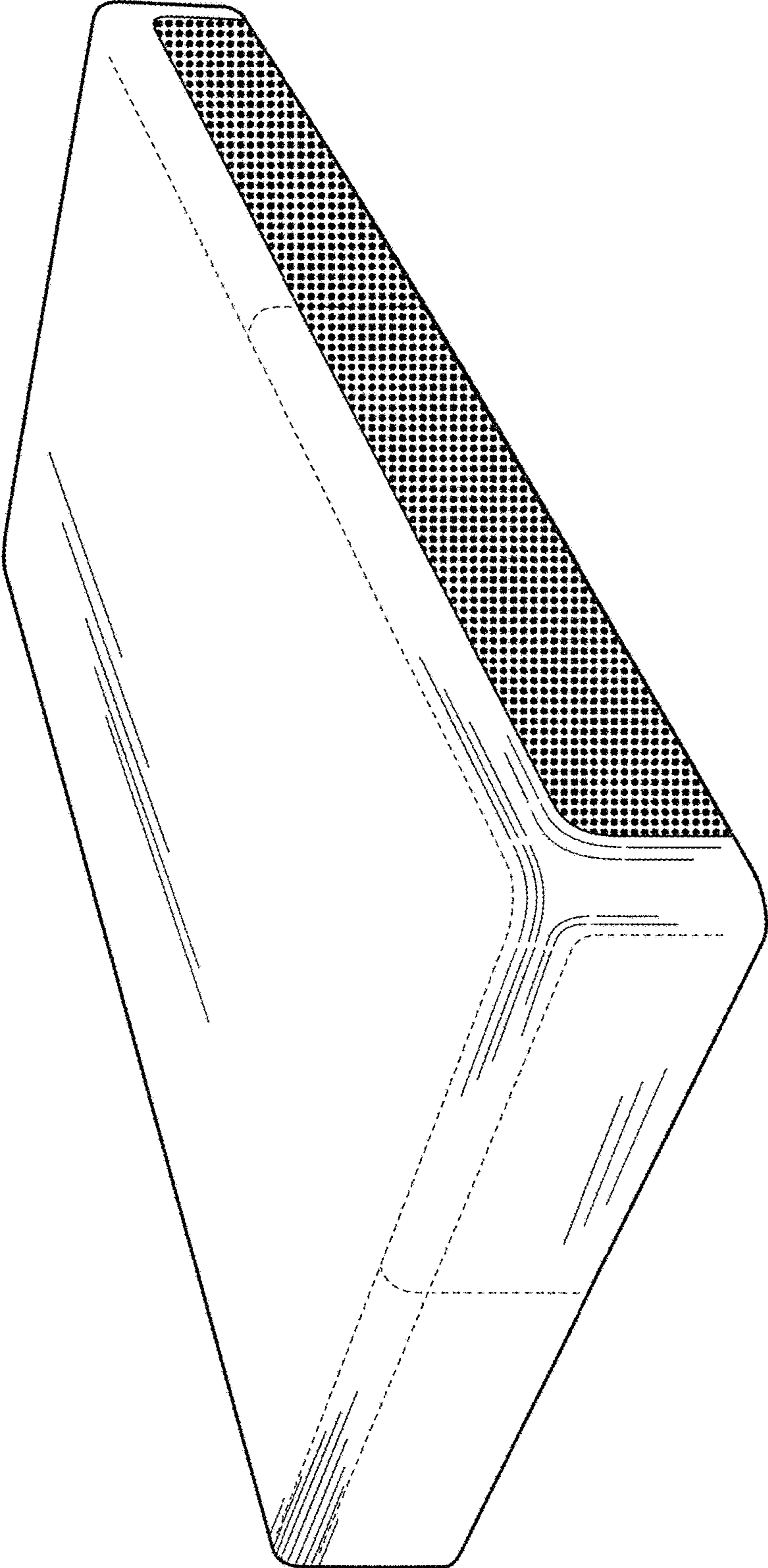


Fig. 1

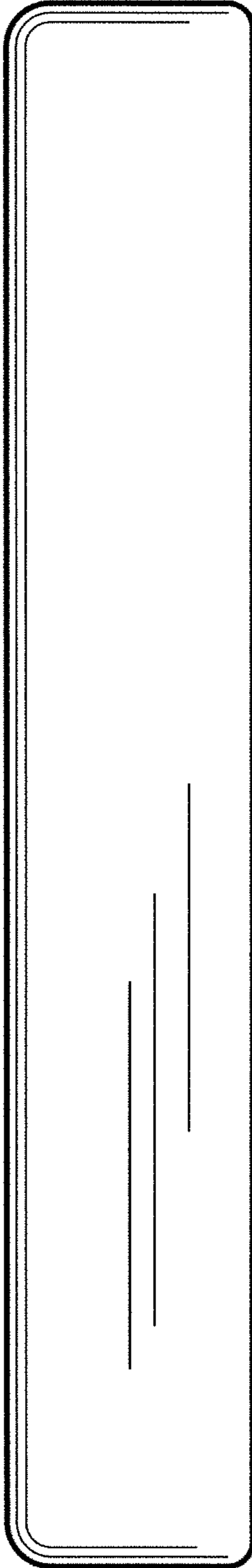


Fig. 2

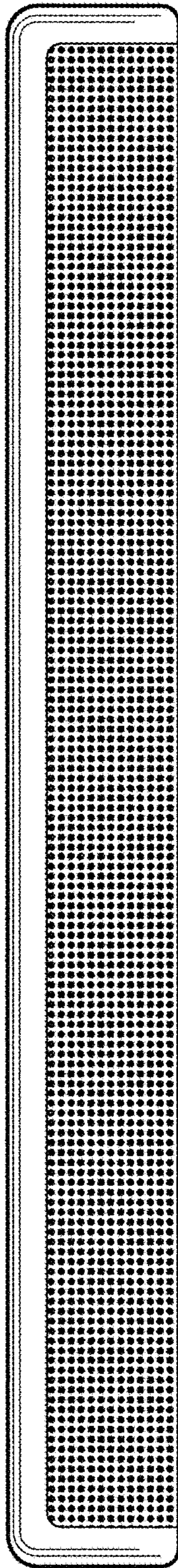


Fig. 3



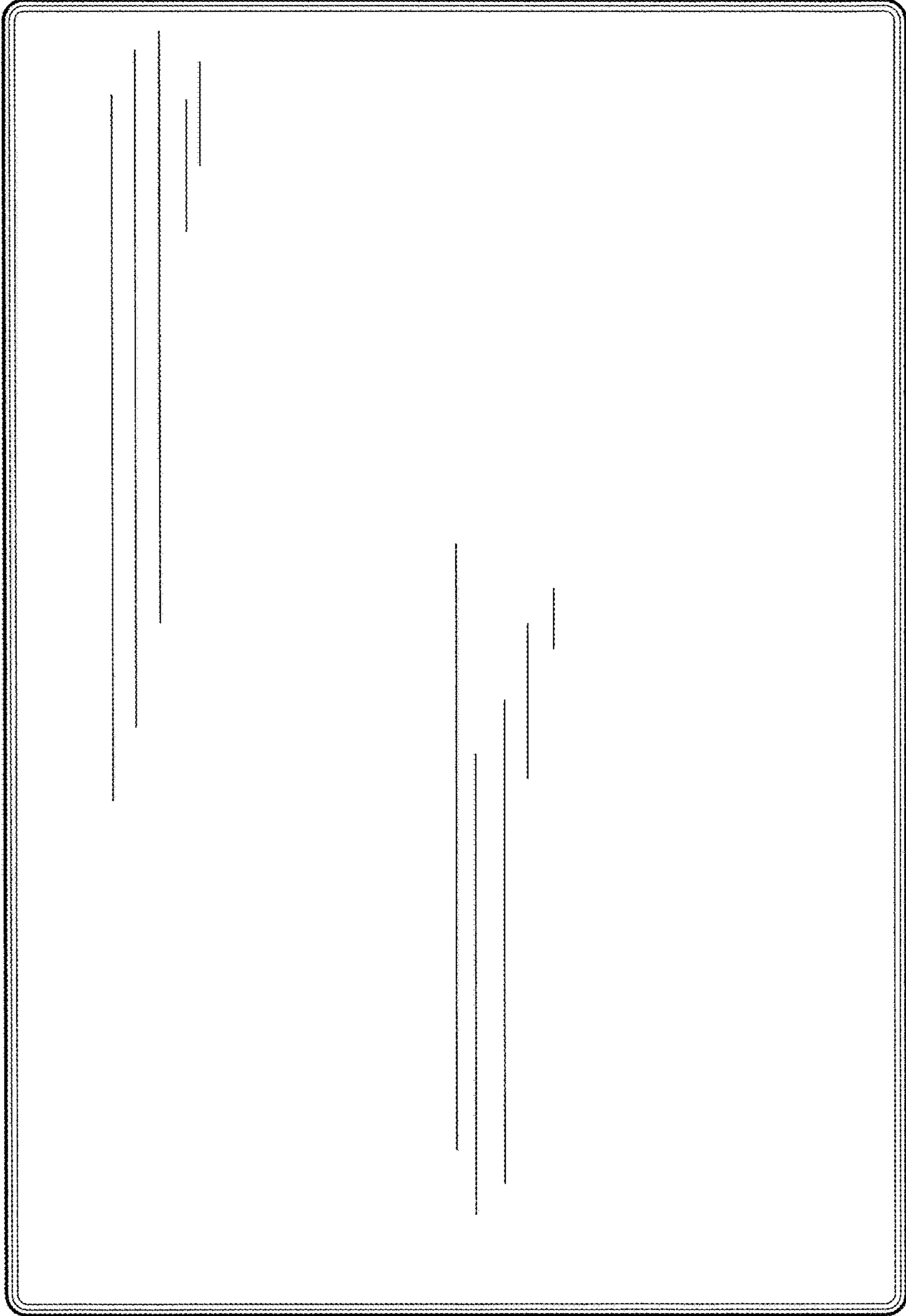
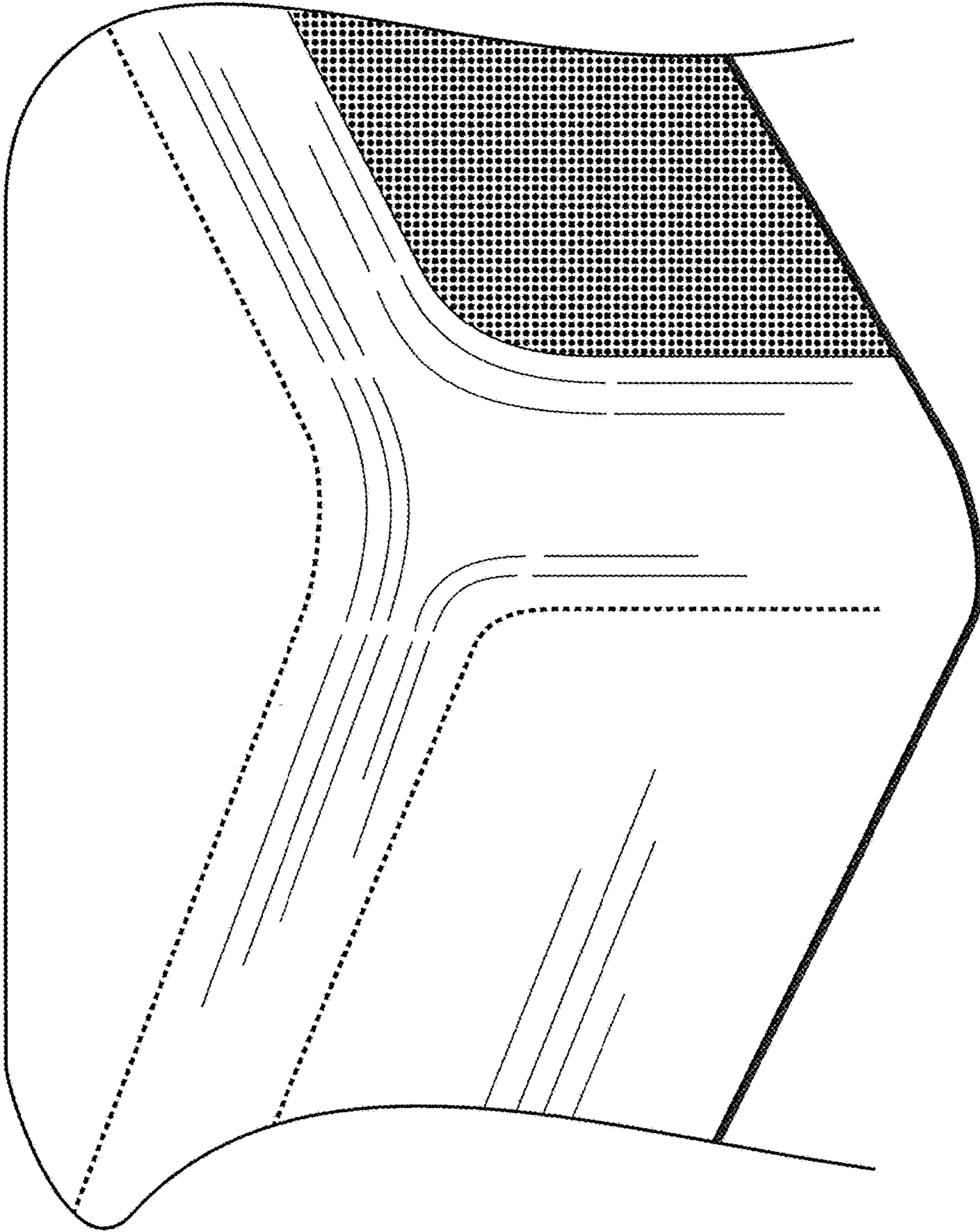


Fig. 4

Fig. 5



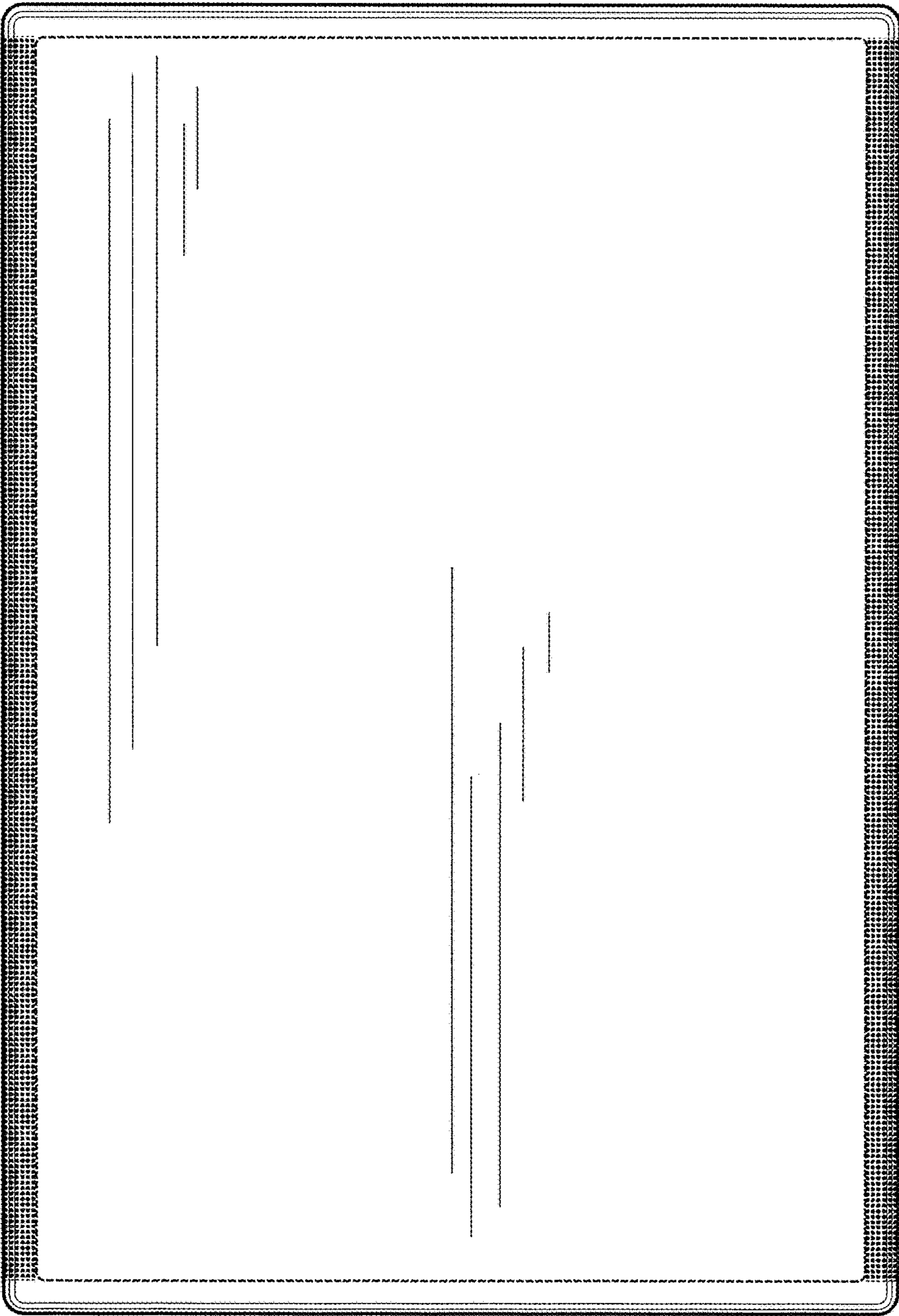


Fig. 6