



US00D778637S

(12) **United States Design Patent** (10) **Patent No.:** **US D778,637 S**
Barry (45) **Date of Patent:** **** *Feb. 14, 2017**

(54) **PILLOW CASE**

(71) Applicant: **Barbara Barry Incorporated**, Los Angeles, CA (US)

(72) Inventor: **Barbara Barry**, Los Angeles, CA (US)

(*) Notice: This patent is subject to a terminal disclaimer.

(**) Term: **14 Years**

(21) Appl. No.: **29/486,604**

(22) Filed: **Apr. 1, 2014**

(51) **LOC (10) Cl.** **06-09**

(52) **U.S. Cl.**
USPC **D6/601**

(58) **Field of Classification Search**
USPC D6/595-601, 603
CPC A47G 9/00; A47G 9/024; A47G 9/0253;
A47G 9/04; A47G 9/08
See application file for complete search history.

(56) **References Cited**

U.S. PATENT DOCUMENTS

- 880,524 A * 3/1908 Hauphoff A47G 9/0253
15/208
- D534,025 S * 12/2006 Ferguson D6/601
- 7,856,689 B2 * 12/2010 Habimana A47C 31/105
5/490
- D661,151 S * 6/2012 Carter D6/595
- 8,464,376 B1 * 6/2013 Waite A47G 9/0253
5/485

- D720,157 S * 12/2014 Villena D6/601
- 2006/0059626 A1 * 3/2006 Greenleaf A47G 9/0253
5/636
- 2012/0060280 A1 * 3/2012 Kelly A47G 9/0253
5/490
- 2014/0261193 A1 * 9/2014 Smith A47G 9/0253
119/28.5

* cited by examiner

Primary Examiner — Mary Ann Calabrese

(74) *Attorney, Agent, or Firm* — Ferdinand IP, LLC.

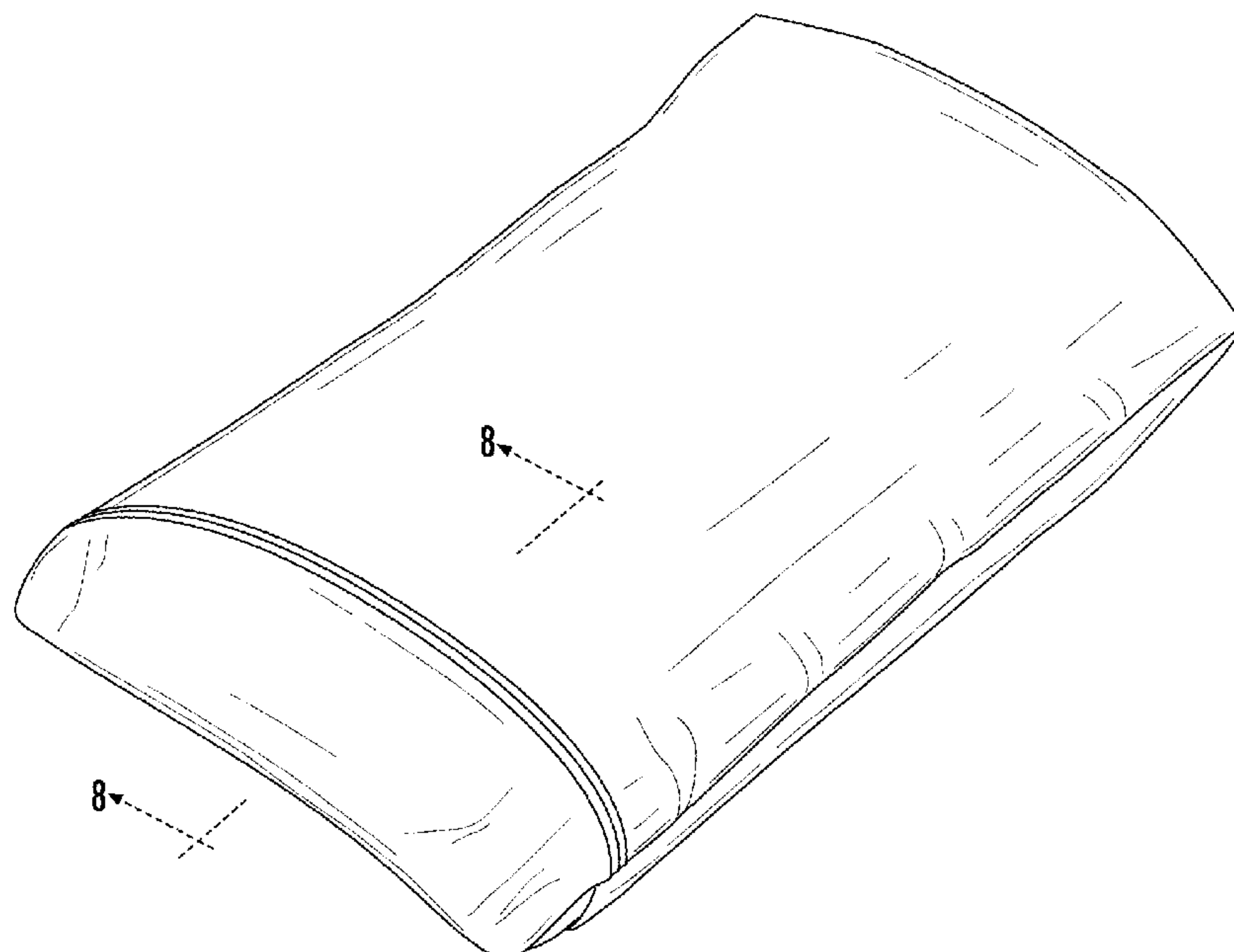
(57) **CLAIM**

The ornamental design for a pillow case, as shown and described.

DESCRIPTION

FIG. 1 is a perspective view of a pillow case according to the new design;
 FIG. 2 is a left side elevational view thereof;
 FIG. 3 is a right side elevational view thereof;
 FIG. 4 is a top plan view thereof;
 FIG. 5 is a bottom plan view thereof;
 FIG. 6 is a front view thereof;
 FIG. 7 is a back view thereof;
 FIG. 8 is an enlarged cross-section view of the pillow case taken along line 8-8 in FIG. 1; and,
 FIG. 9 is an enlarged fragmentary view of the pillow case of FIG. 1 shown in an open configuration exposing the inner flap.
 The break lines shown as broken lines in FIGS. 8 and 9 form no part of the claimed design.

1 Claim, 7 Drawing Sheets



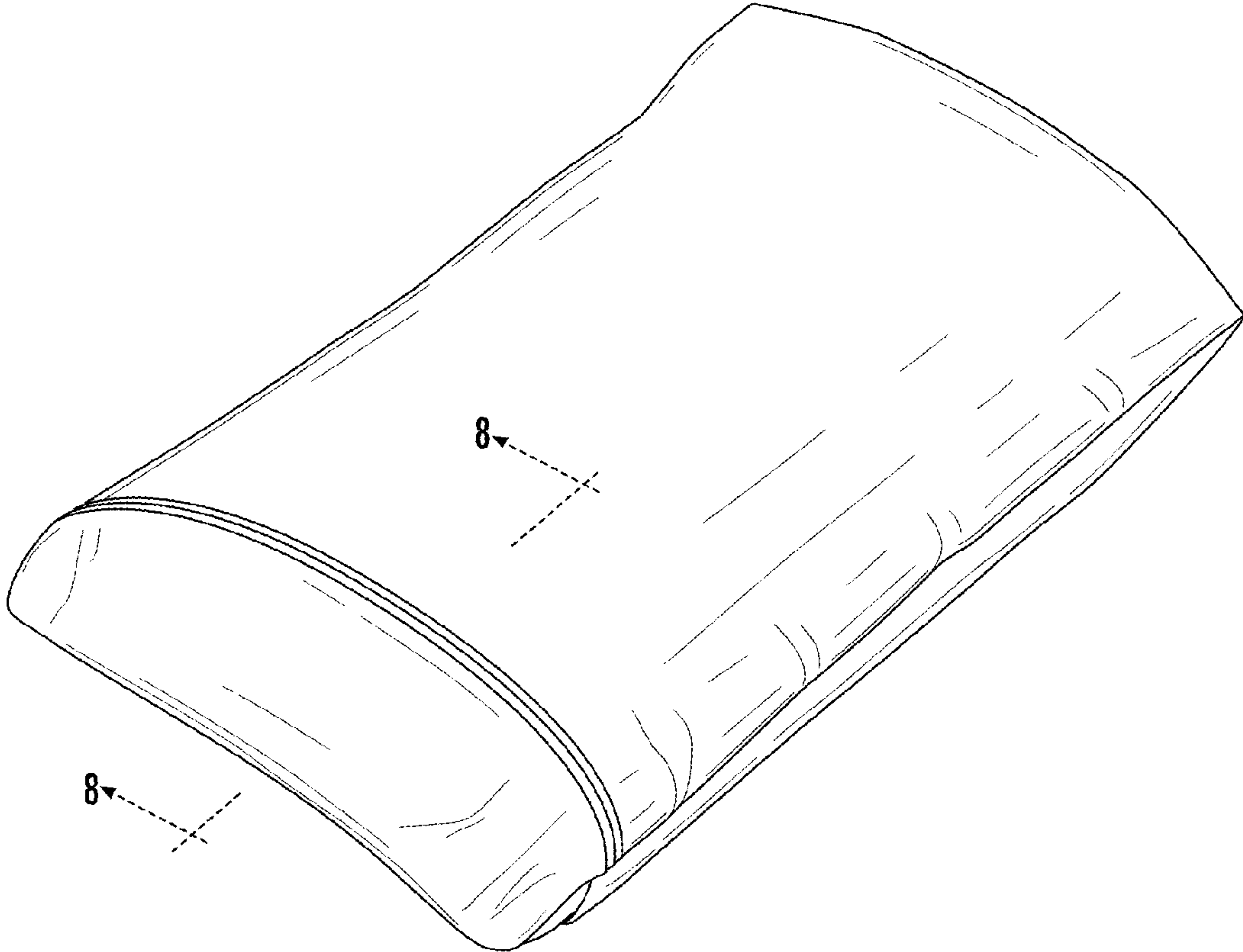


FIG. 1

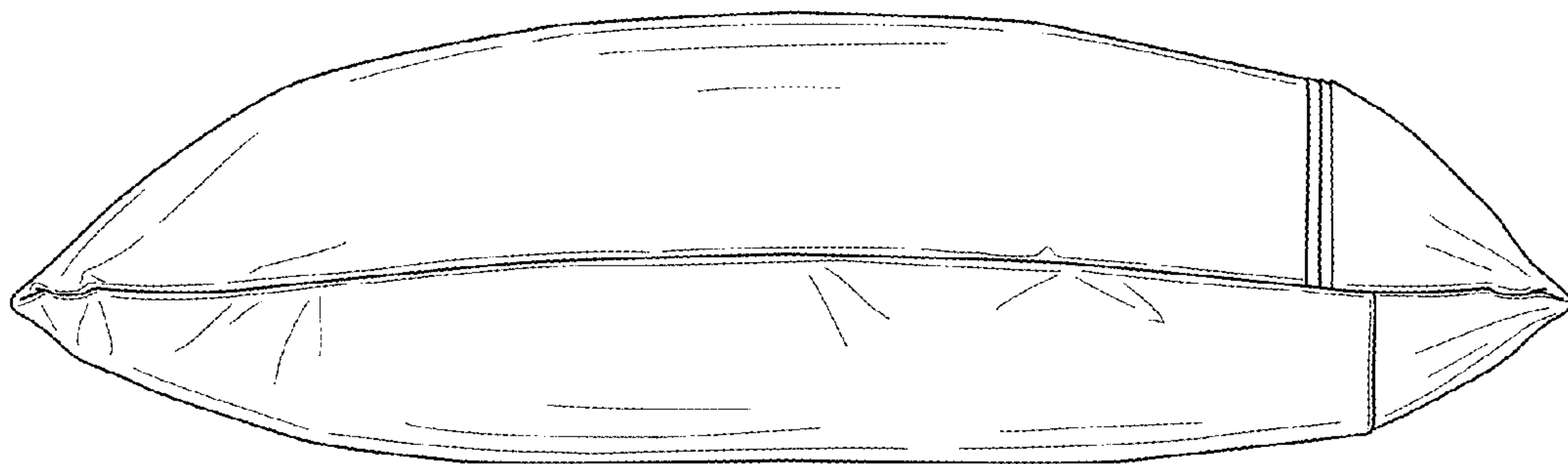


FIG. 2

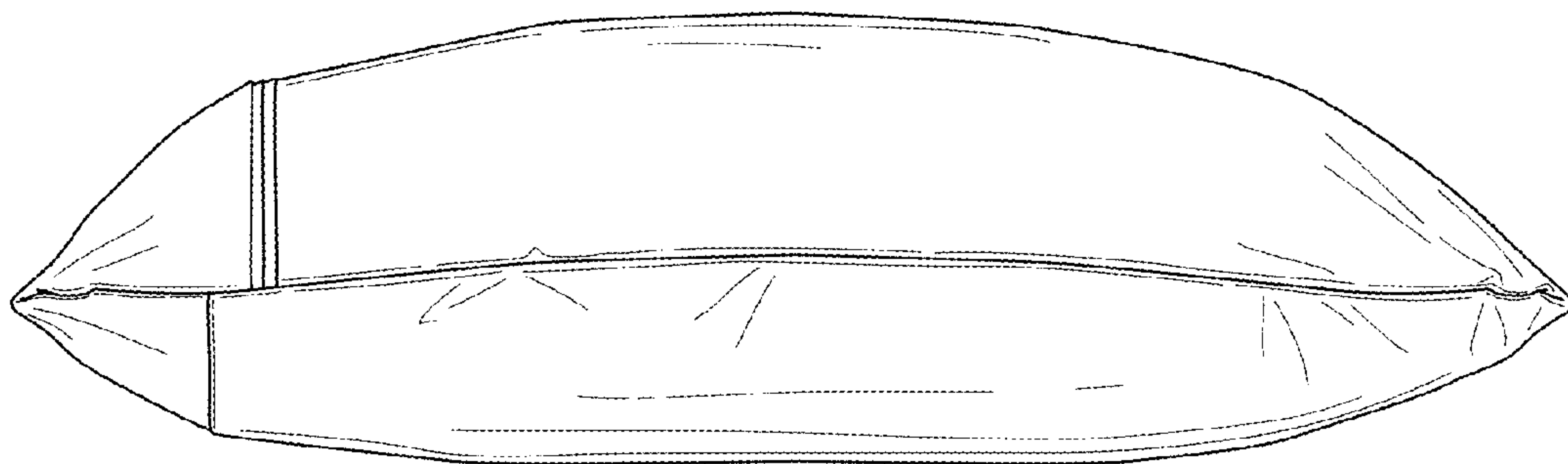


FIG. 3

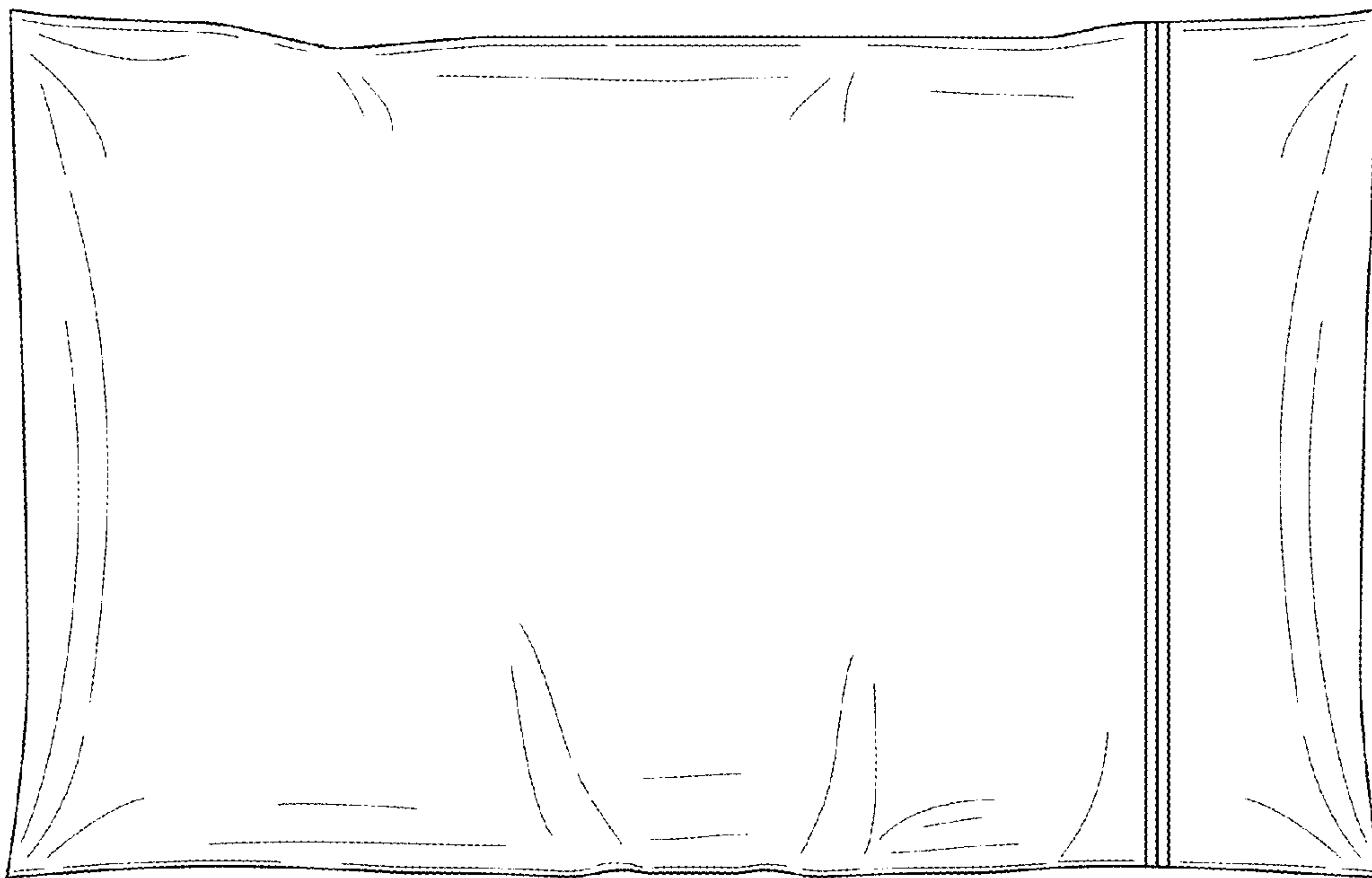


FIG. 4

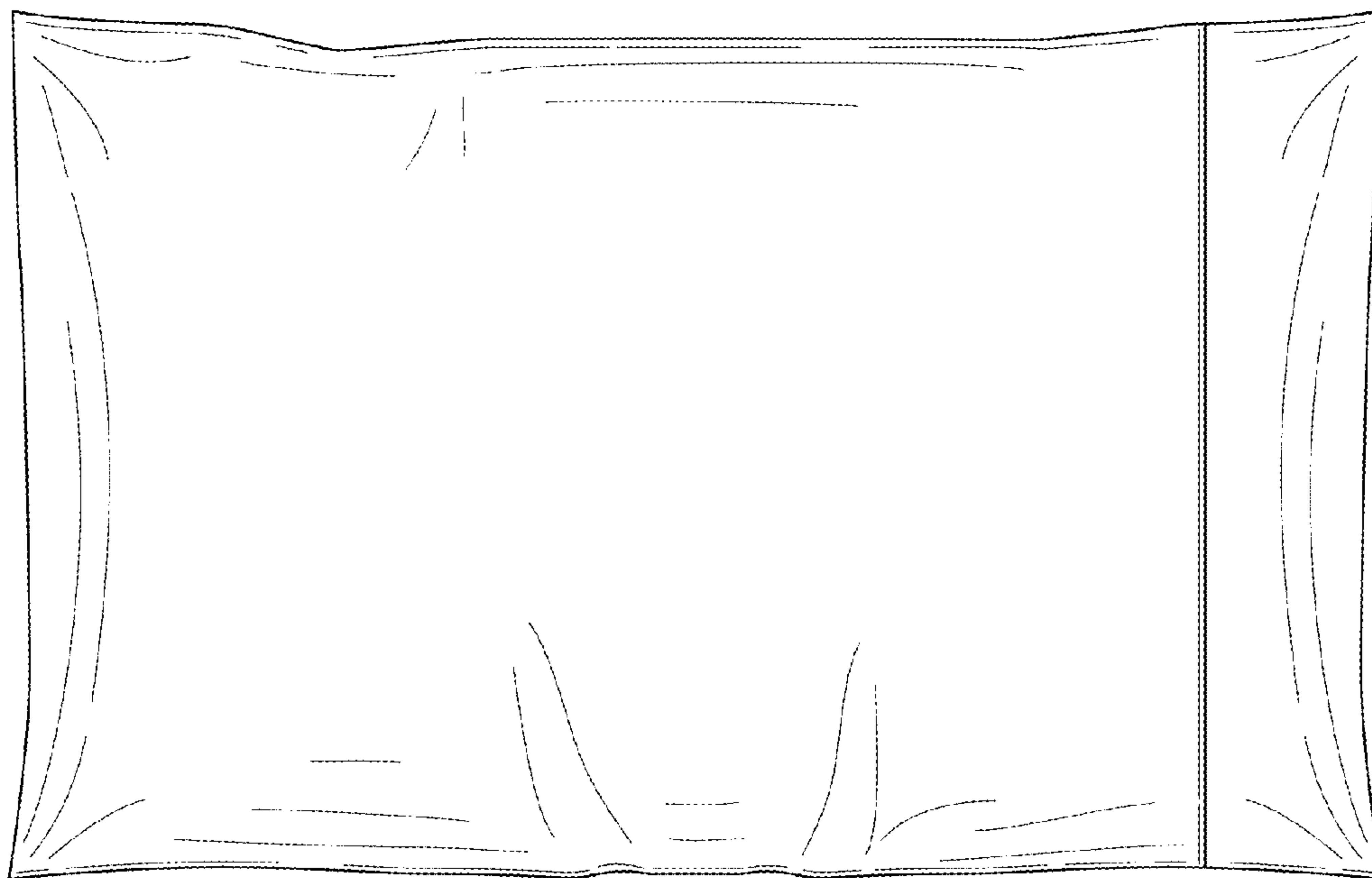


FIG. 5

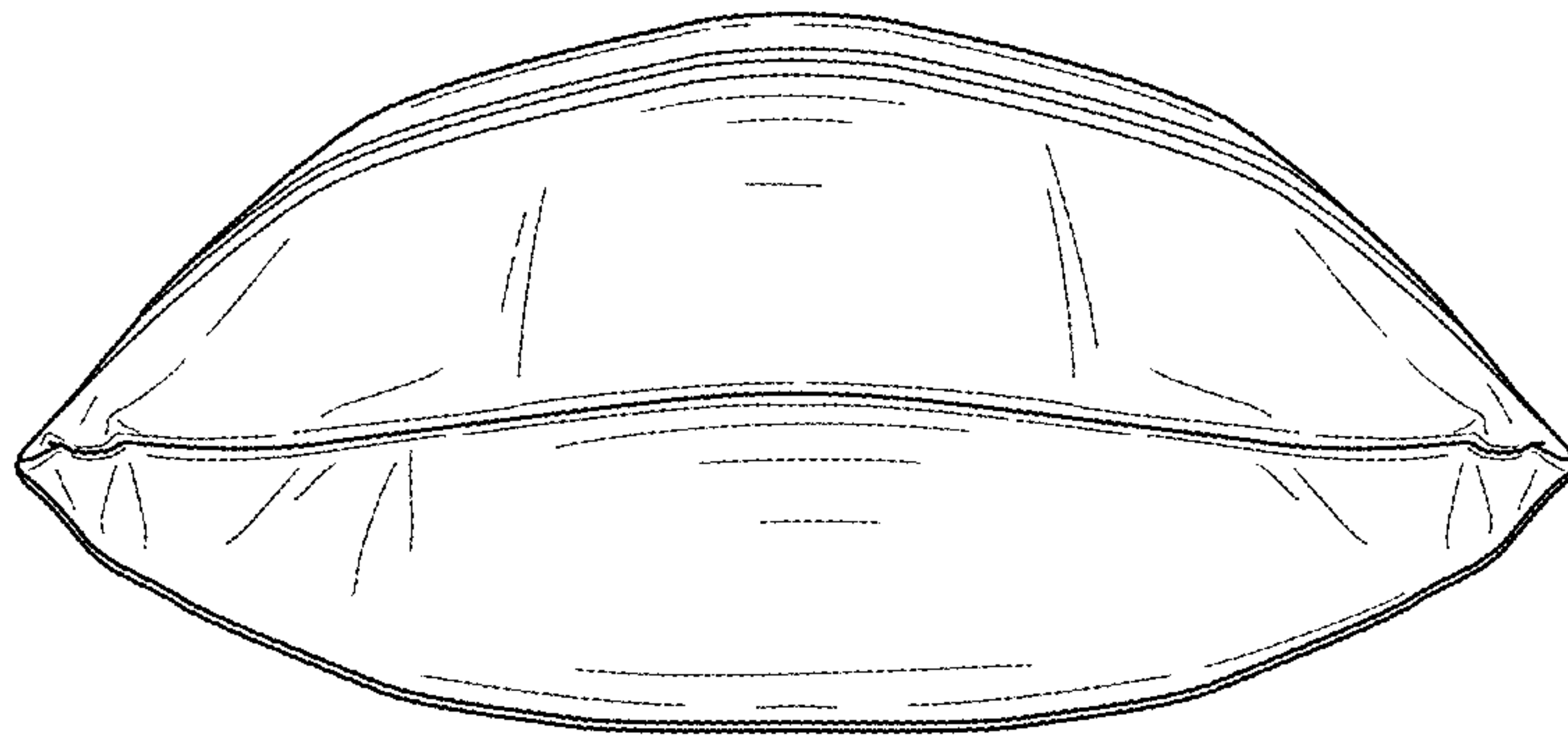


FIG. 6

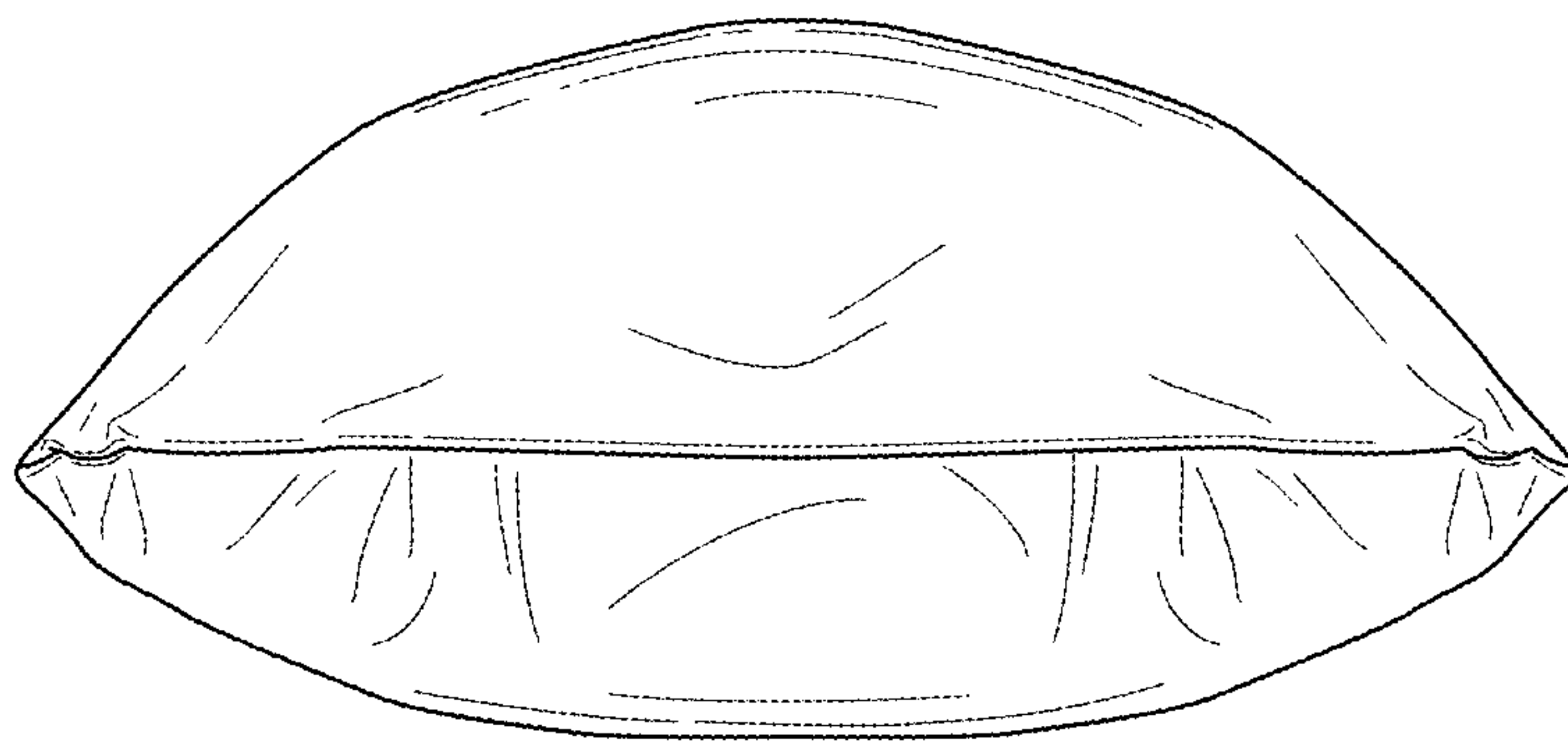


FIG. 7

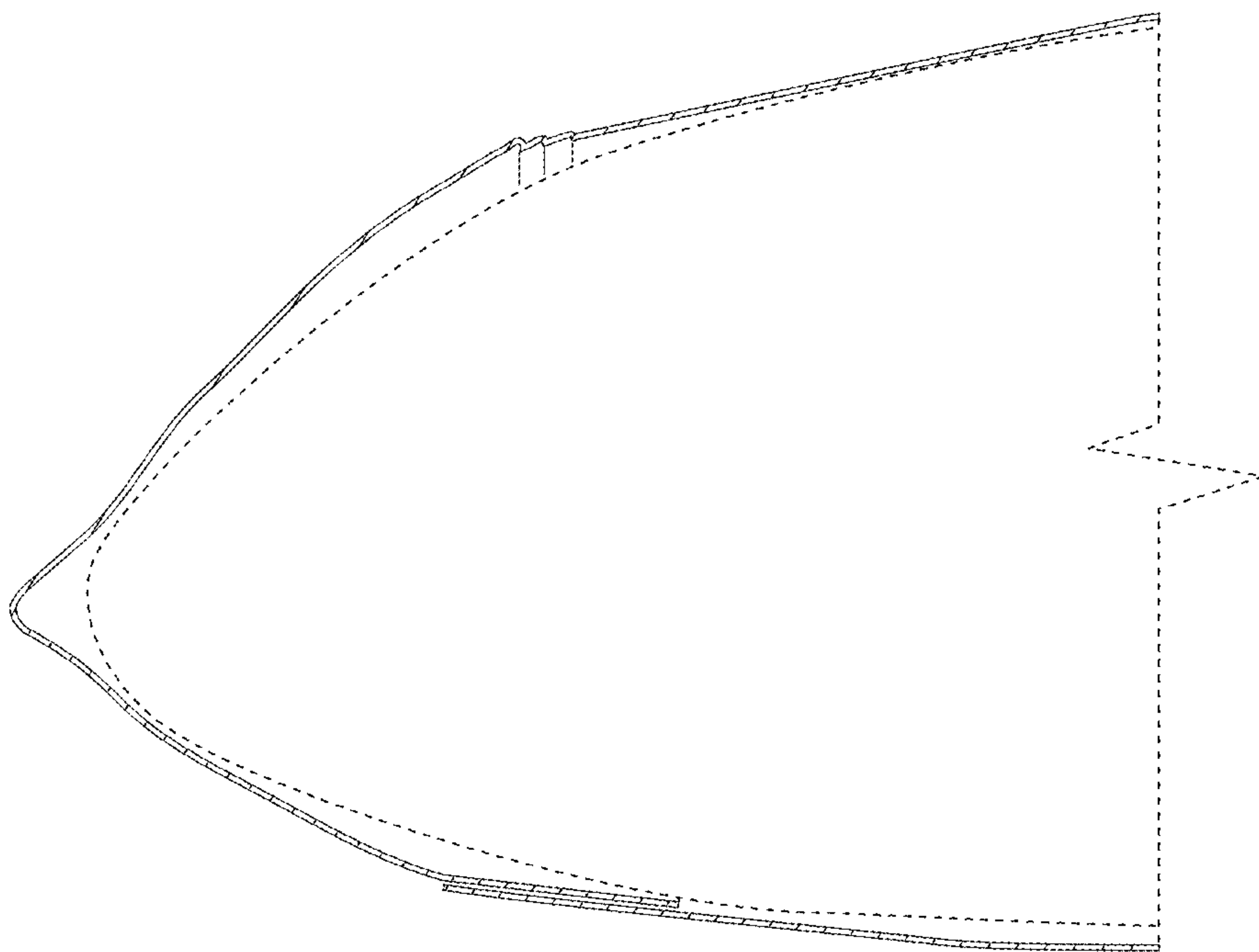


FIG. 8

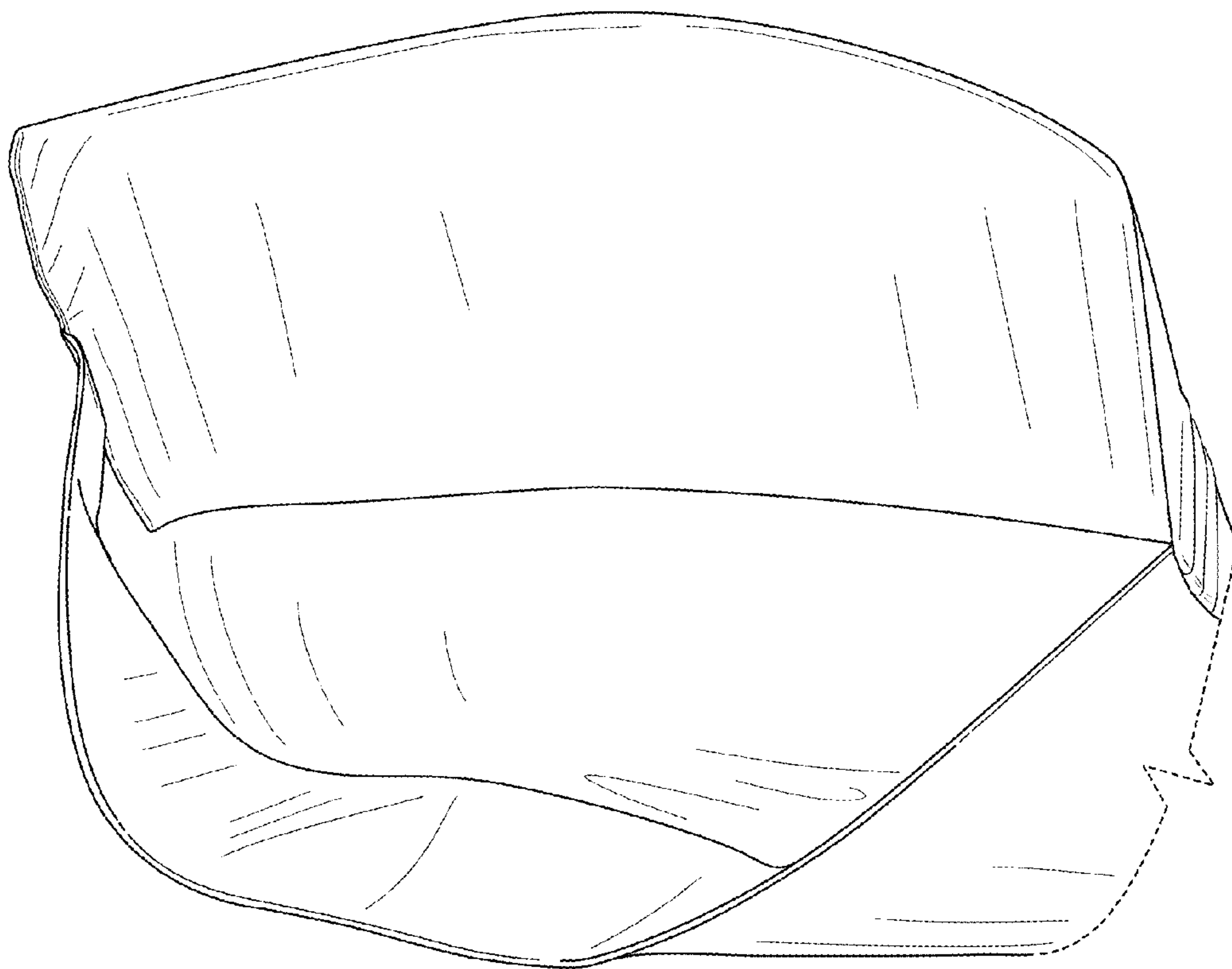


FIG. 9