



US00D778636S

(12) **United States Design Patent**
Brzowski

(10) **Patent No.:** **US D778,636 S**

(45) **Date of Patent:** **** Feb. 14, 2017**

- (54) **MAT**
- (71) Applicant: **Leeann Brzowski**, New York, NY
(US)
- (72) Inventor: **Leeann Brzowski**, New York, NY
(US)
- (**) Term: **14 Years**
- (21) Appl. No.: **29/516,100**
- (22) Filed: **Jan. 29, 2015**
- (51) **LOC (10) Cl.** **06-11**
- (52) **U.S. Cl.**
USPC **D6/582**
- (58) **Field of Classification Search**
USPC D6/582, 583, 584, 585, 586, 587, 588,
D6/589, 590, 592, 596, 609, 617, 619;
D12/203; D32/55, 56, 57; D5/21
CPC A47G 11/00; A47G 27/0206; A47G 27/0212;
A47G 27/0225; A47G 27/0231; A47G
27/0237; A47G 9/062; A47L 23/26;
A47L 23/266; A47K 7/026
See application file for complete search history.

- D374,789 S * 10/1996 Kalista D6/596
- D391,109 S * 2/1998 Miller D6/596
- 5,740,566 A * 4/1998 Stacy A47G 9/062
224/156
- 6,061,849 A * 5/2000 Seals A47G 9/062
383/4
- D644,865 S * 9/2011 Trout D6/582
- D651,032 S * 12/2011 Adkins D6/596
- 9,345,925 B2 * 5/2016 Liu A63B 21/4037
- 2016/0059066 A1 * 3/2016 Willis A63B 21/1473
5/417

* cited by examiner

Primary Examiner — Celia Murphy

Assistant Examiner — Clare Ann Gannon

(74) *Attorney, Agent, or Firm* — Gottlieb, Rackman &
Reisman, PC

(57) **CLAIM**

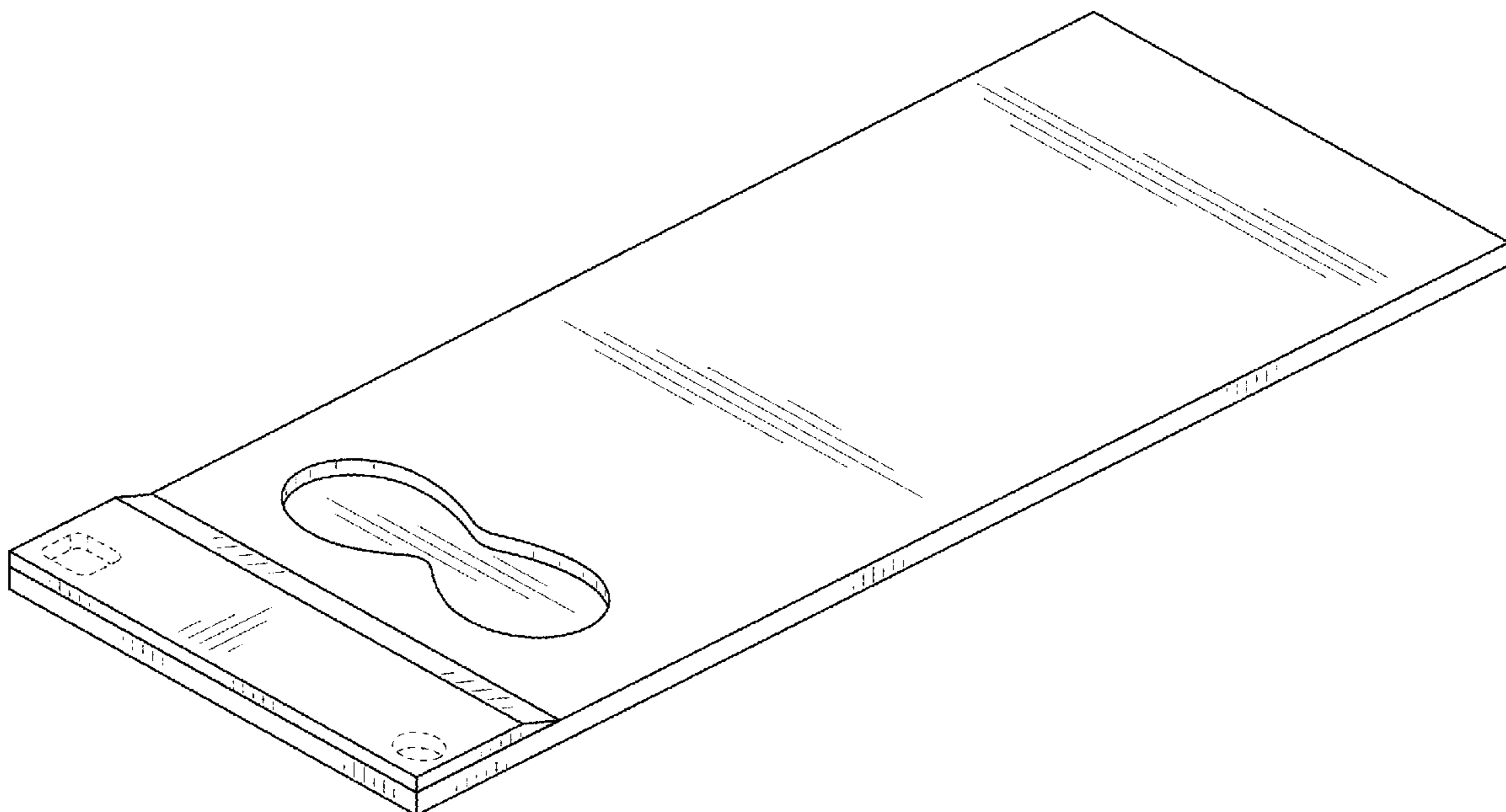
The ornamental design for a mat, as shown and described.

DESCRIPTION

FIG. 1 is a front perspective view of a mat showing my design;
 FIG. 2 is a right side view thereof;
 FIG. 3 is a left side view thereof;
 FIG. 4 is a top plan view thereof;
 FIG. 5 is a bottom plan view thereof;
 FIG. 6 is a front view thereof;
 FIG. 7 is a rear view thereof; and,
 FIG. 8 is a rear perspective view thereof.
 The broken lines shown in the figures are for illustrative purposes to depict unclaimed features of the mat only and form no part of the claimed design.

1 Claim, 4 Drawing Sheets

- (56) **References Cited**
U.S. PATENT DOCUMENTS
33,385 A * 10/1861 Frodsham et al. A45F 4/06
224/156
D261,464 S * 10/1981 Smith 5/419
D311,109 S * 10/1990 Geschwender D6/601
D346,923 S * 5/1994 Holm 5/421
D349,625 S * 8/1994 daPalma D6/596



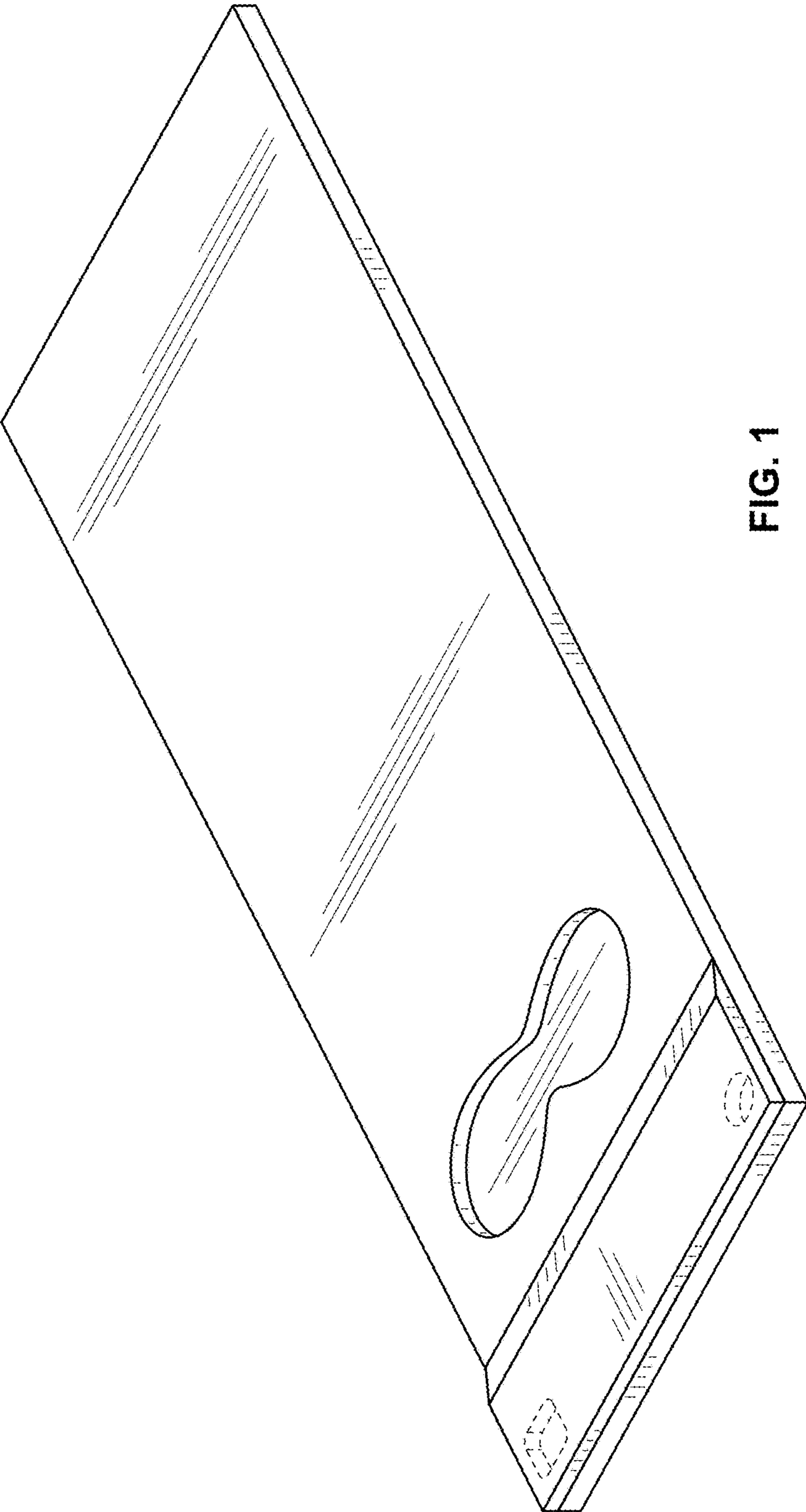


FIG. 1

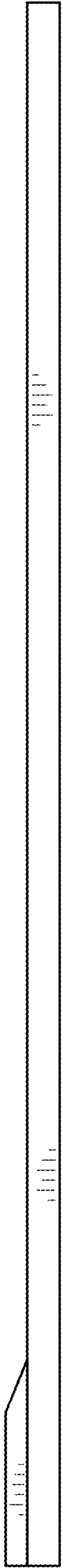


FIG. 2

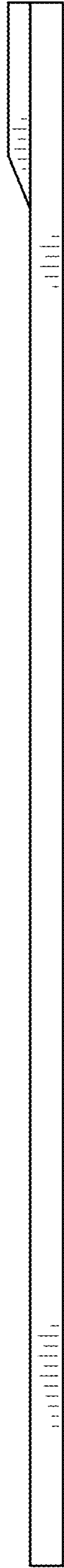


FIG. 3

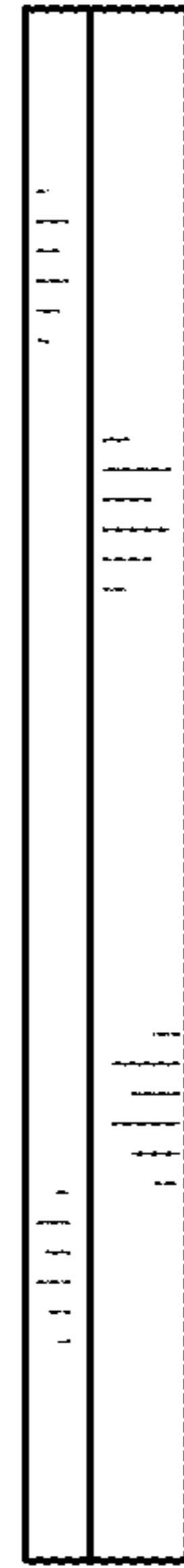


FIG. 4

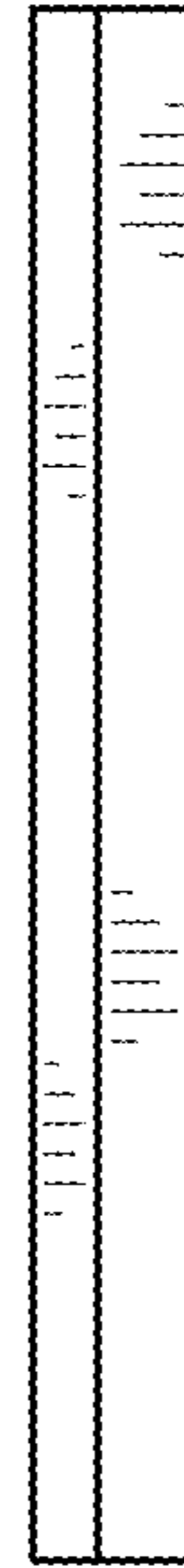


FIG. 5

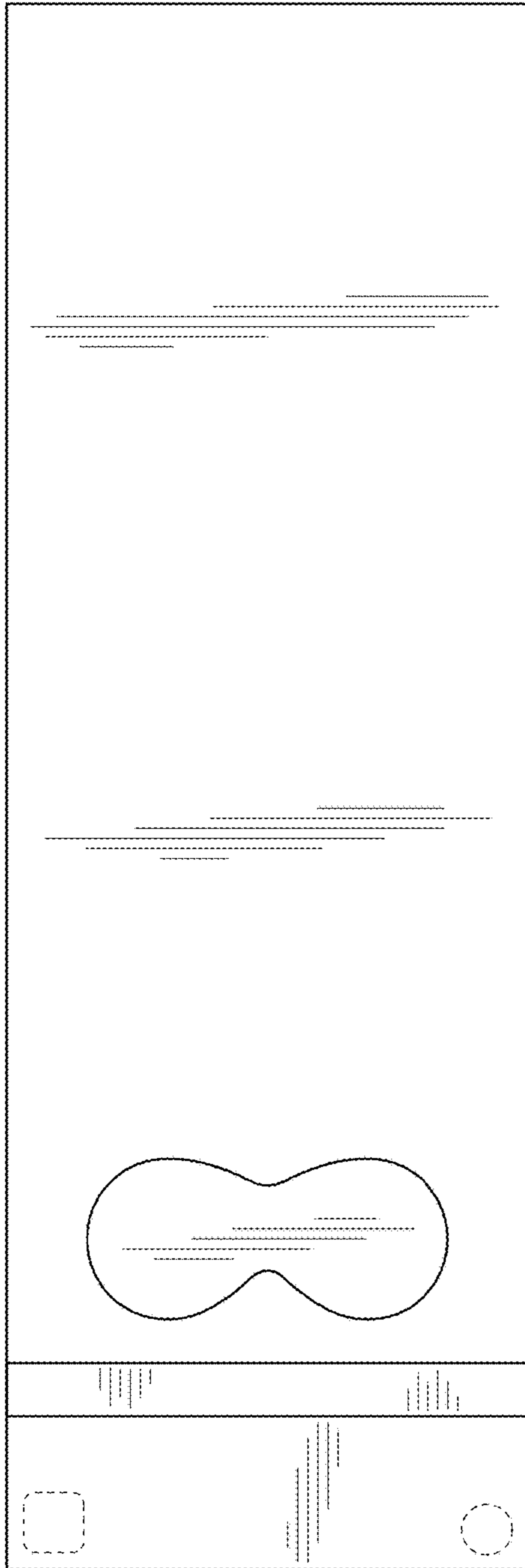


FIG. 6

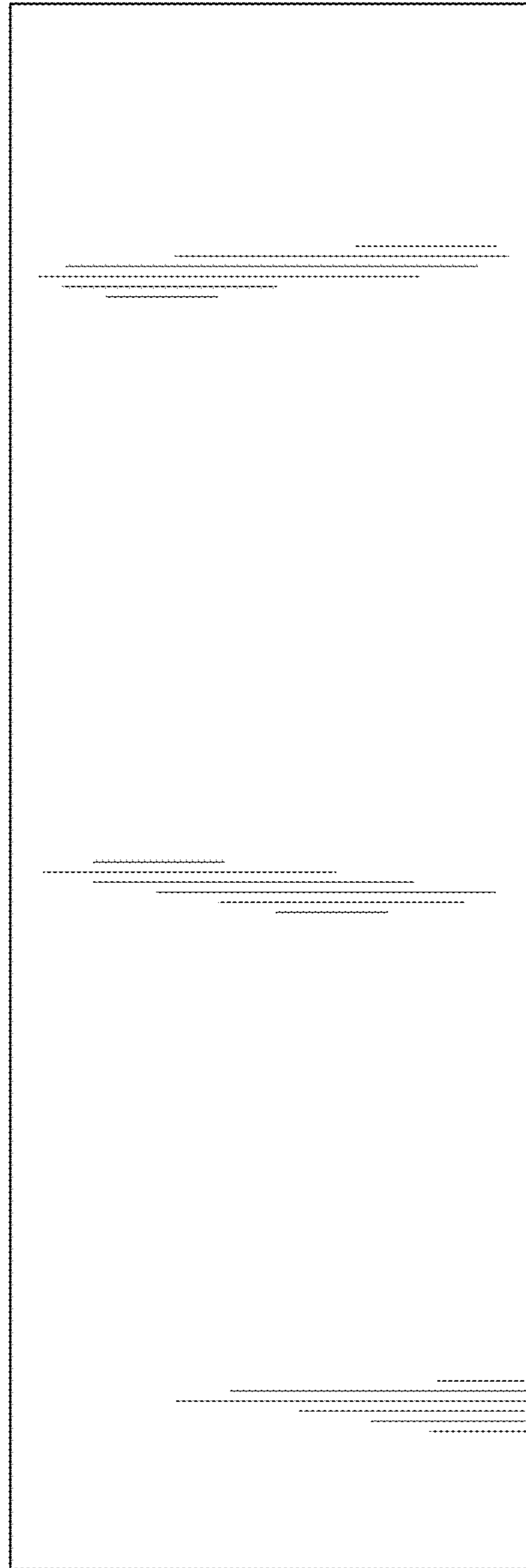


FIG. 7

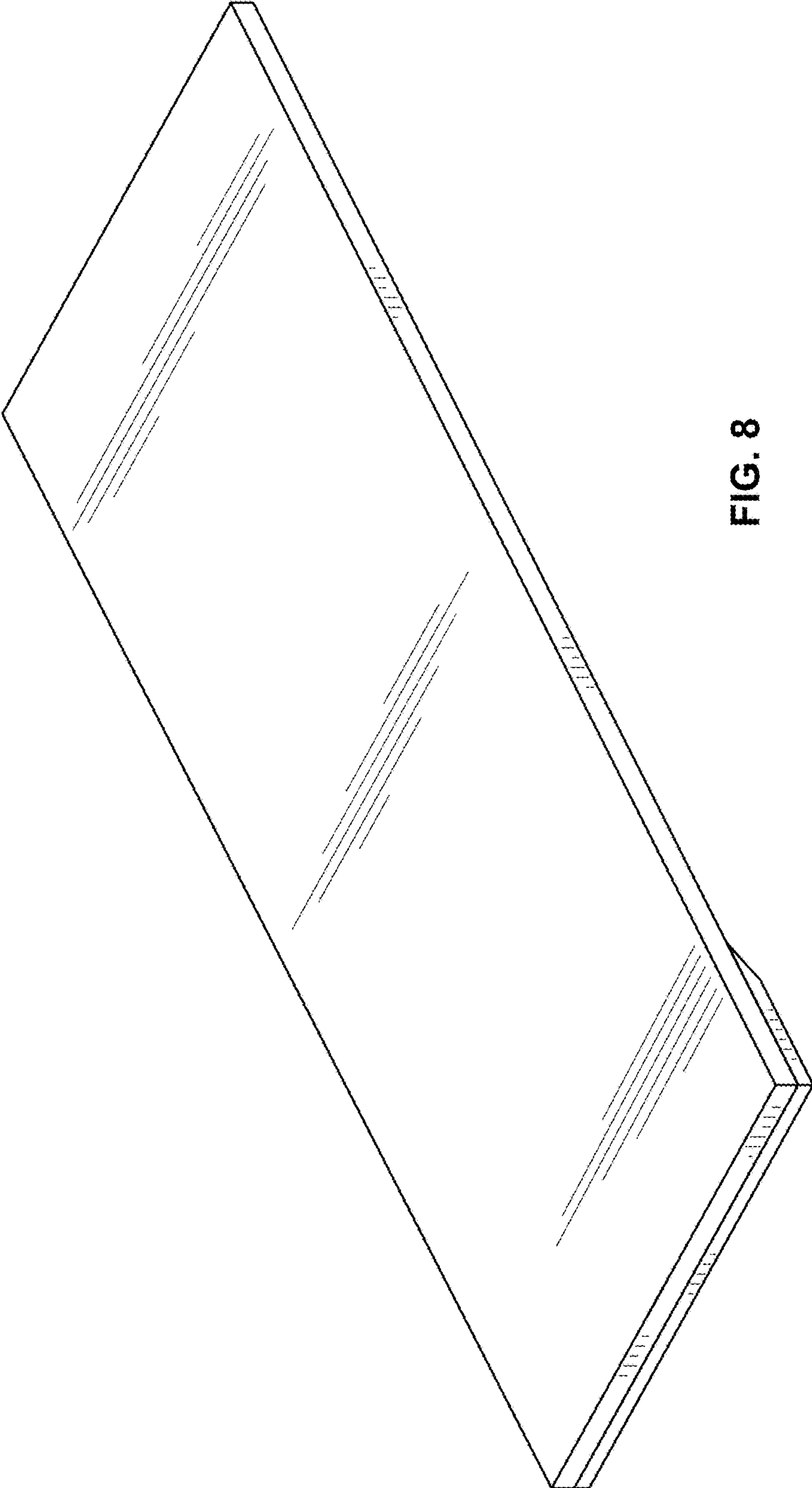


FIG. 8