



US00D778635S

(12) **United States Design Patent** (10) **Patent No.:** **US D778,635 S**
Pan et al. (45) **Date of Patent:** **** Feb. 14, 2017**

(54) **HOLDER** 5,842,671 A * 12/1998 Gibbs A47G 23/0225
248/231.41
(71) Applicant: **3M INNOVATIVE PROPERTIES** D407,952 S * 4/1999 Kendrick D7/620
COMPANY, St. Paul, MN (US) 6,260,811 B1 * 7/2001 O'Neil A47C 7/68
248/231.81
(72) Inventors: **Angela L. Pan**, Arden Hills, MN (US); D540,083 S * 4/2007 Snell D6/523
Craig D. Thompson, Inver Grove D542,581 S * 5/2007 Goodman D6/520
Heights, MN (US) D557,567 S * 12/2007 Gronikowski D7/622
D573,011 S * 7/2008 Decker D6/566

(Continued)

(73) Assignee: **3M INNOVATIVE PROPERTIES**
COMPANY, St. Paul, MN (US)

(**) Term: **15 Years**

(21) Appl. No.: **29/547,444**

(22) Filed: **Dec. 3, 2015**

(51) **LOC (10) Cl.** **06-04**

(52) **U.S. Cl.**

USPC **D6/566**; D6/535

(58) **Field of Classification Search**

USPC D6/566, 574, 536-537, 524, 525, 540,
D6/567, 320, 535; 211/13.1, 74, 71.01,
211/86.01, 75, 88.01, 90.01, 90.03, 106,
211/119, 126.1, 133.5, 181.1, 134, 87.01;
248/206.2-206.3; D3/306; D32/55-56;
D7/637

CPC B23P 17/04; A47K 1/09; A47K 1/08;
A47K 3/281; F16B 47/00

See application file for complete search history.

(56) **References Cited**

U.S. PATENT DOCUMENTS

D209,533 S * 12/1967 Cole 428/99
D231,296 S * 4/1974 Morris D6/556
D233,386 S * 10/1974 Hammett D6/567
D242,314 S * 11/1976 Arnett D6/566
D262,678 S * 1/1982 DeBoer D6/566
D282,323 S * 1/1986 Fetty D7/403
D298,200 S * 10/1988 Block 294/27.1
5,318,266 A * 6/1994 Liu A47K 1/09
248/292.12
D361,449 S * 8/1995 Rittenberg D6/566
5,580,020 A * 12/1996 Catchings B63B 29/04
248/311.2

OTHER PUBLICATIONS

Amazon.com, Comand Accessory Organizer, Satin Nickel, 1-Organizer (BATH38-SN-ES), Feb. 24, 2016, https://www.amazon.com/Command-Accessory-Organizer-1-Organizer-BATH38-SN-ES/dp/B01C60HD9M/ref=sr_1_25?ie=UTF8&qid=1474916057&sr=8-25&keywords=3m+command+bath.*

(Continued)

Primary Examiner — David Muller

Assistant Examiner — Nathan Johnston

(74) *Attorney, Agent, or Firm* — Irina Hass

(57) **CLAIM**

The ornamental design for a holder, as shown and described.

DESCRIPTION

FIG. 1 is a perspective view showing a new design for a holder;

FIG. 2 is a front elevation view thereof;

FIG. 3 is a rear elevation view thereof;

FIG. 4 is a right side elevation view thereof, a left side elevation view being a mirror image thereof;

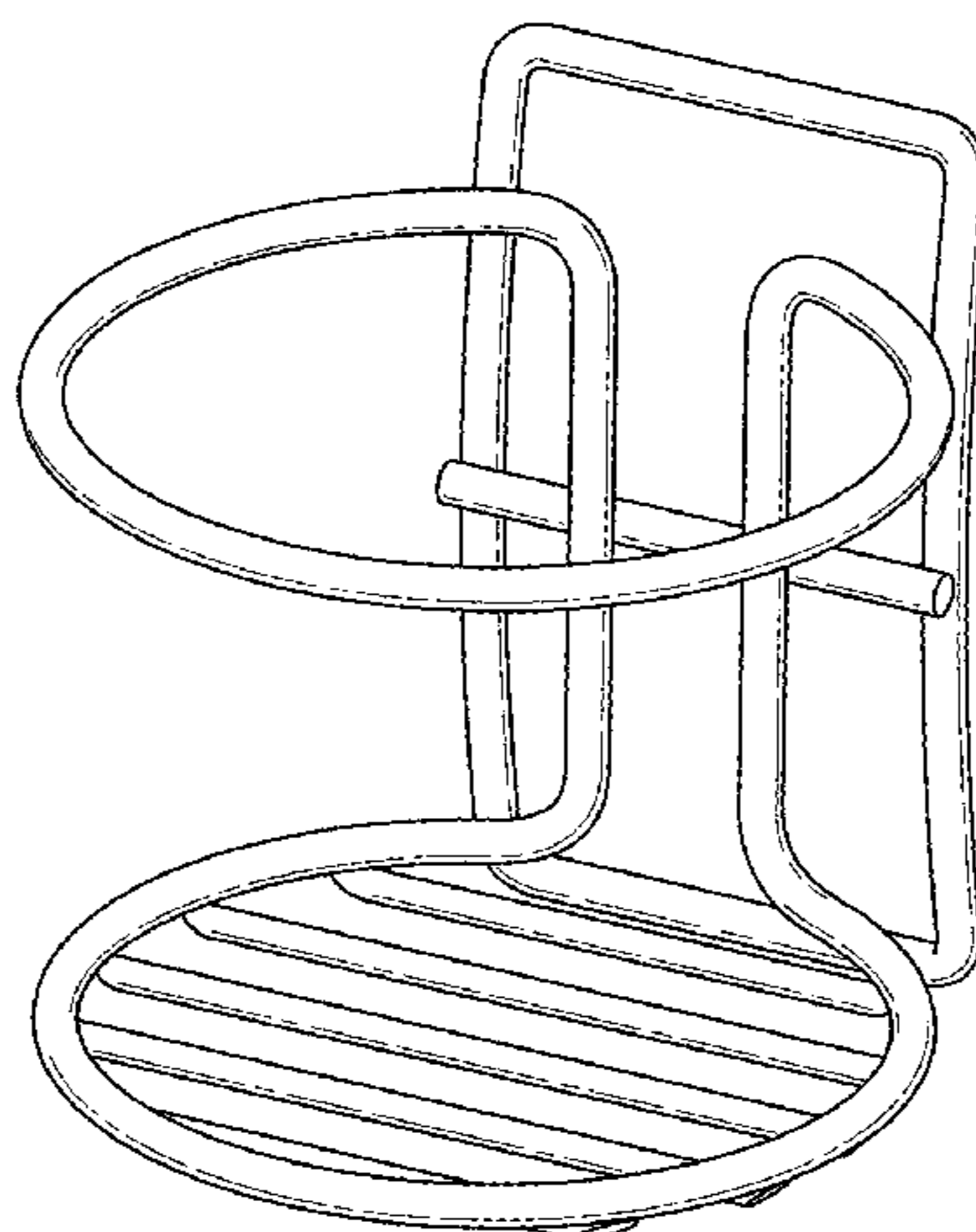
FIG. 5 is a top plan view thereof;

FIG. 6 is a bottom plan view thereof; and,

FIG. 7 is a perspective view thereof showing the holder with a cup.

The portions of the holder in FIG. 7 shown in broken lines are included to show features that form no part of the claimed design.

1 Claim, 4 Drawing Sheets



(56)

References Cited

U.S. PATENT DOCUMENTS

D618,021 S * 6/2010 Guindi D6/520
D628,835 S * 12/2010 Valentine, Jr. D6/513
D637,042 S * 5/2011 Chen D6/566
8,052,108 B2 * 11/2011 Ahn A61B 8/00
248/309.1
D669,636 S * 10/2012 Goodman D28/38
8,573,553 B2 * 11/2013 Stephan B60N 3/102
211/71.01
D700,505 S * 3/2014 Totten D8/370
D748,334 S * 1/2016 Goodman D28/38
2013/0020223 A1 * 1/2013 White A47G 23/0233
206/459.5

OTHER PUBLICATIONS

U.S. Appl. No. 62/173646, filed Jun. 10, 2015, entitled "Mounting Assembly".

* cited by examiner

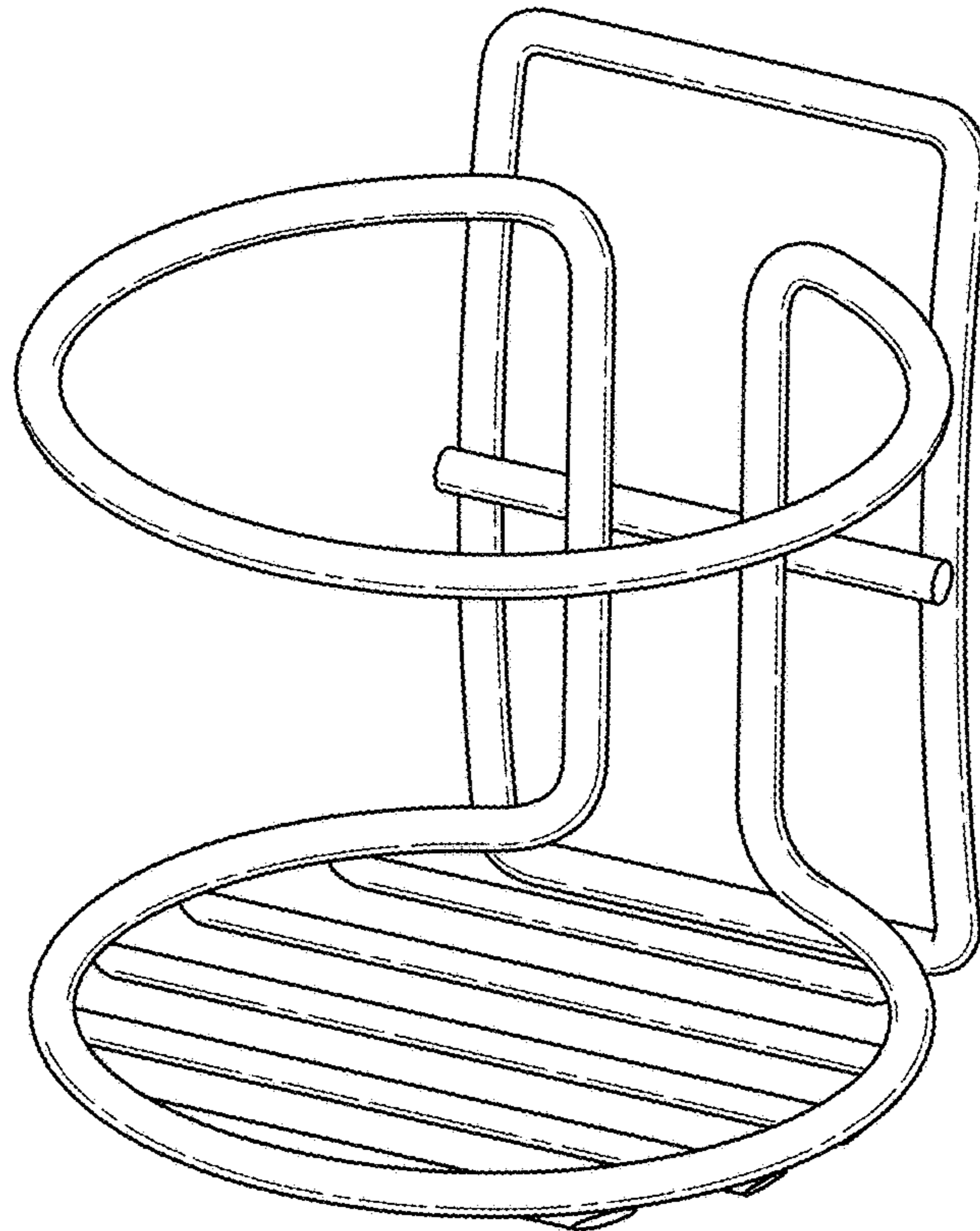


Fig. 1

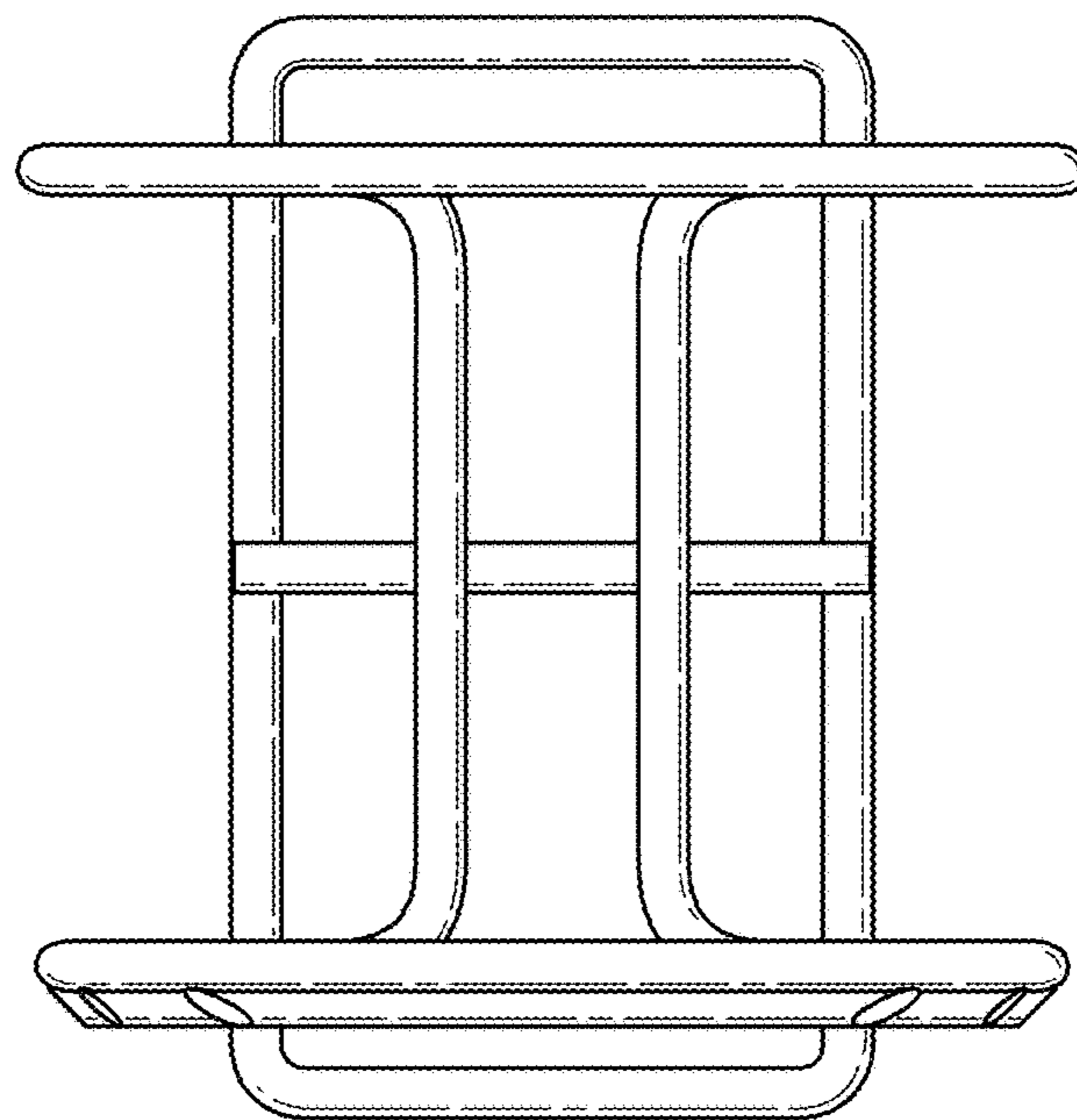


Fig. 2

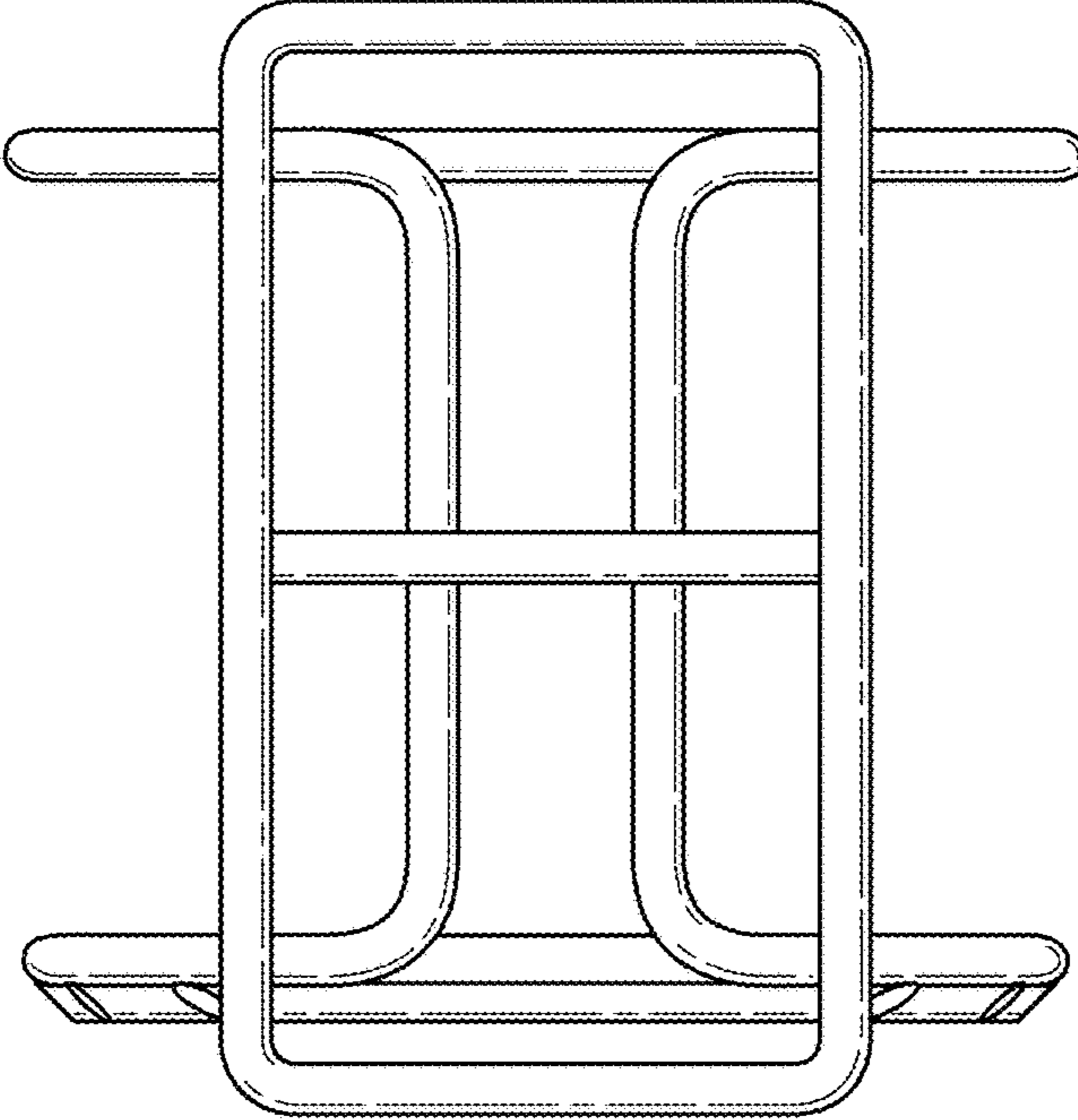


Fig. 3

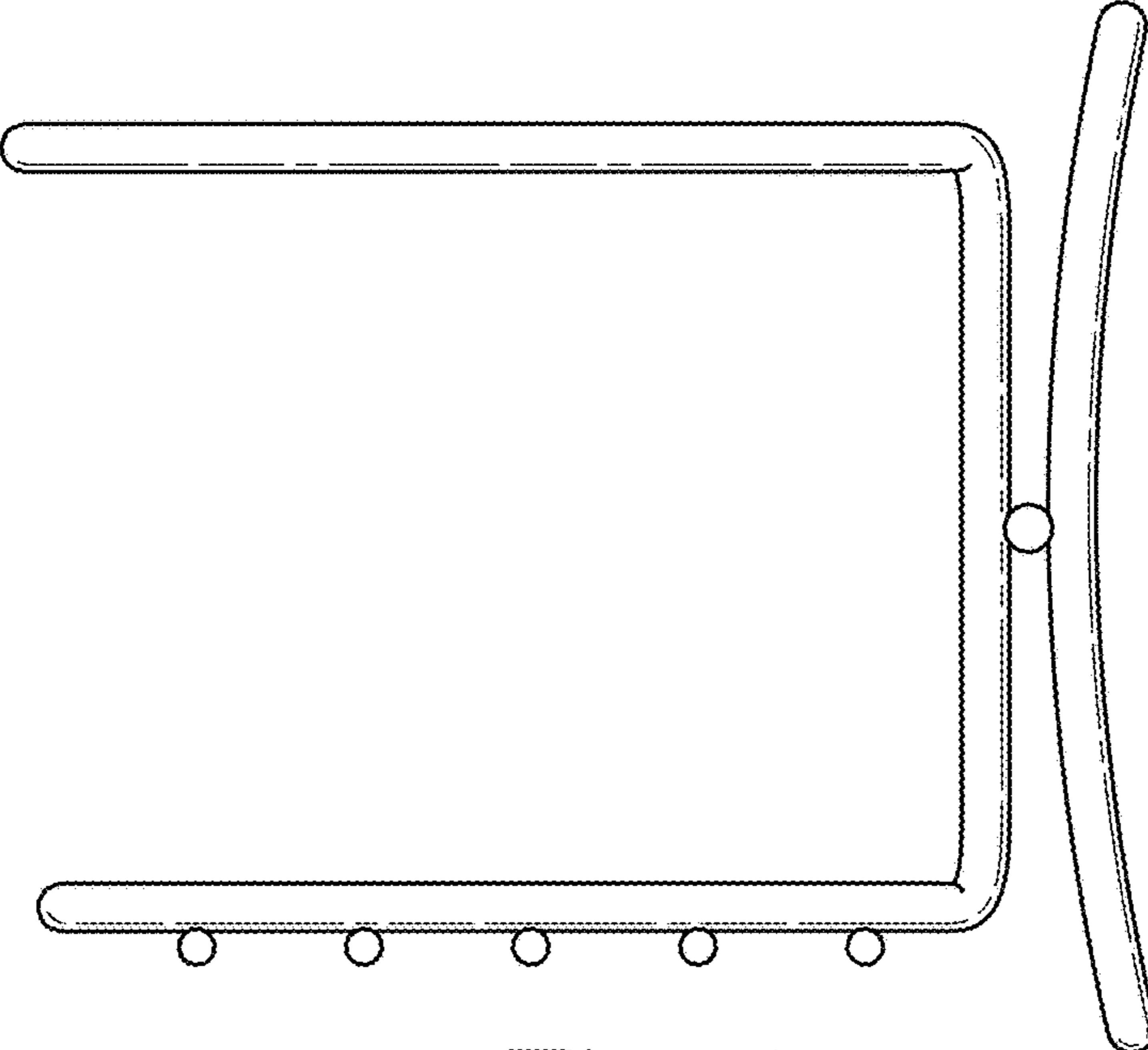


Fig. 4

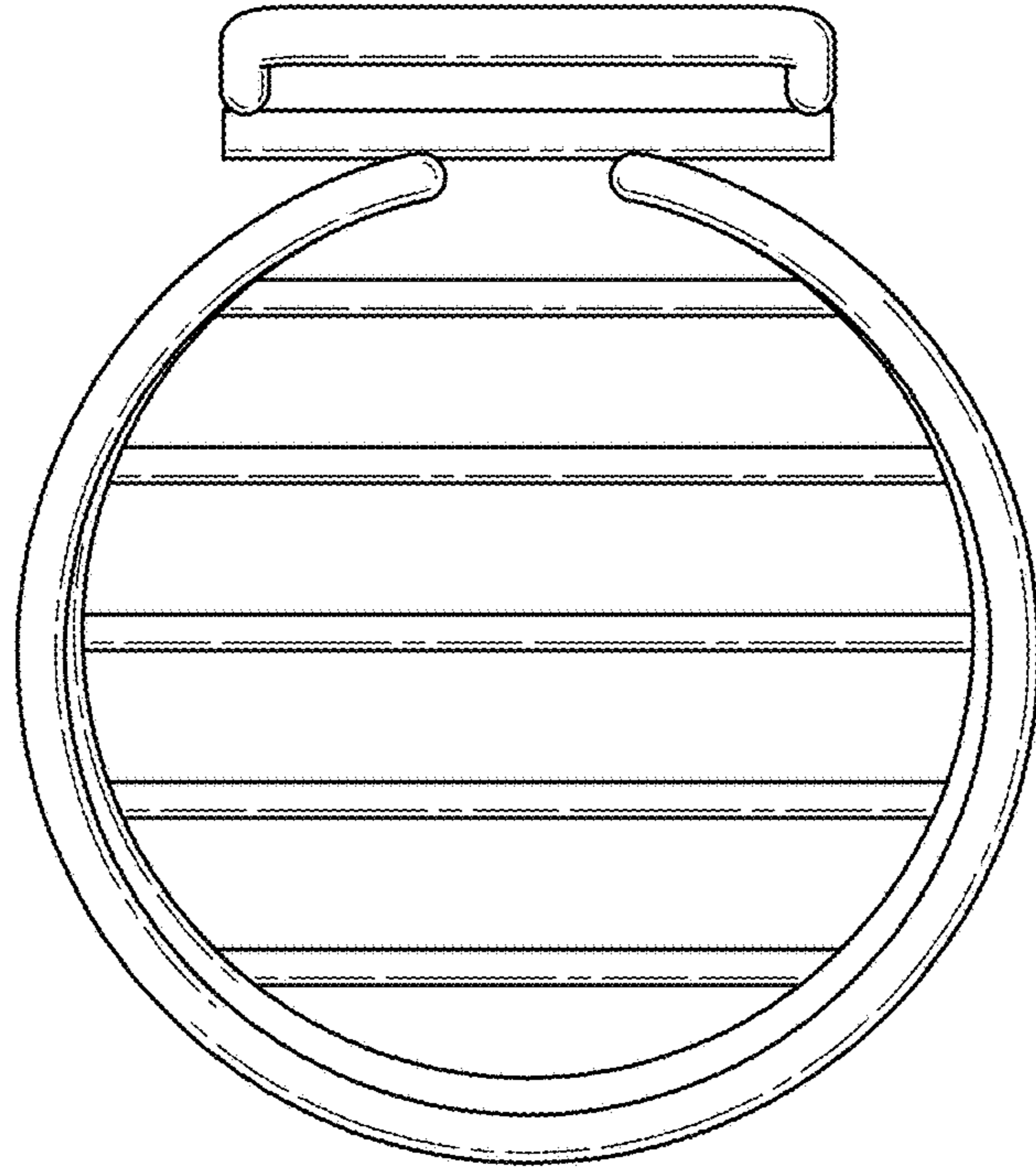


Fig. 5

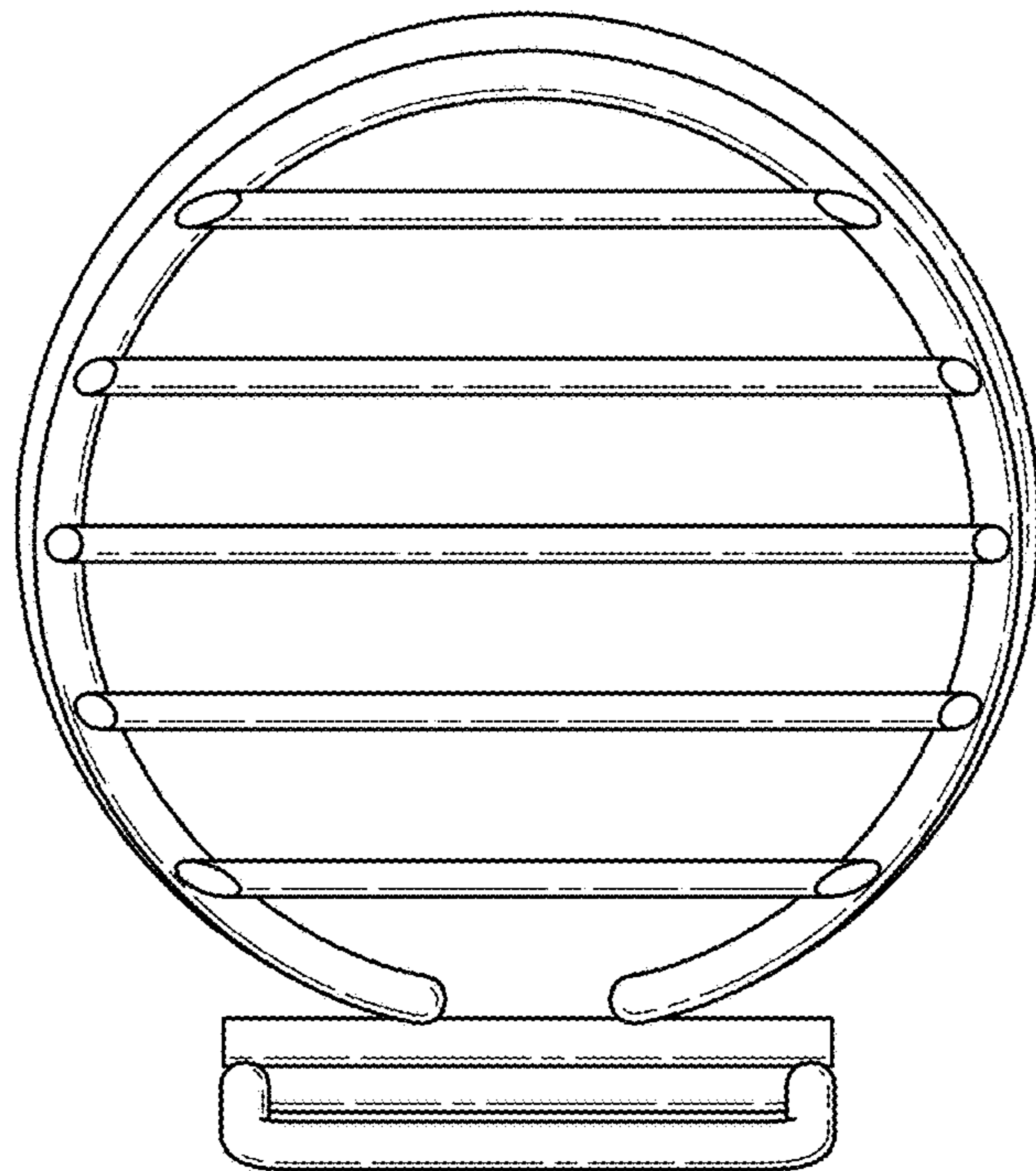


Fig. 6

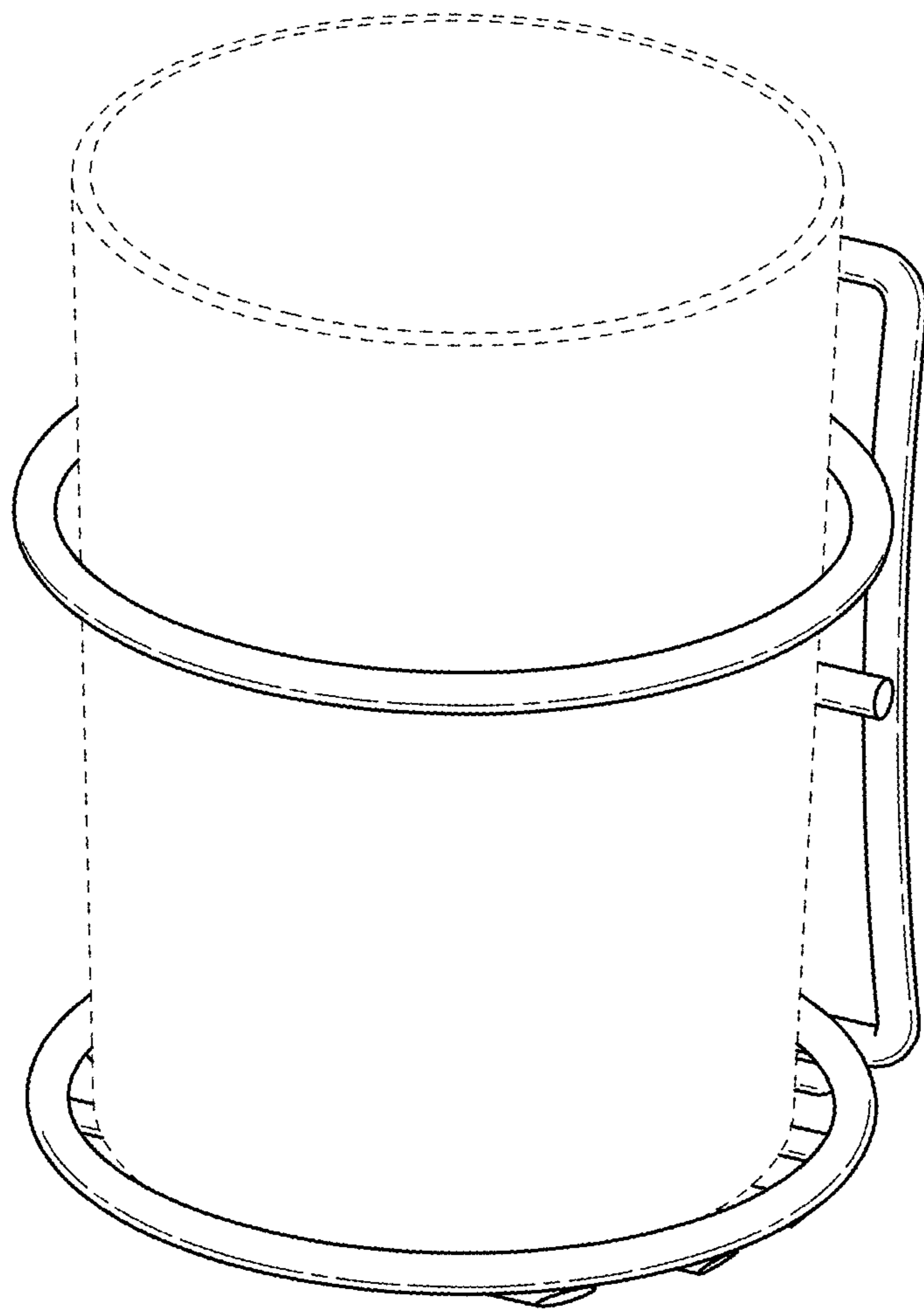


Fig. 7