



US00D778628S

(12) **United States Design Patent**
Moore

(10) **Patent No.:** **US D778,628 S**

(45) **Date of Patent:** **** Feb. 14, 2017**

- (54) **STANDING ASSISTANT**
- (71) Applicant: **Russell Moore**, Medenales, NM (US)
- (72) Inventor: **Russell Moore**, Medenales, NM (US)
- (**) Term: **15 Years**
- (21) Appl. No.: **29/547,279**
- (22) Filed: **Dec. 2, 2015**
- (51) **LOC (10) Cl.** **06-01**
- (52) **U.S. Cl.**
USPC **D6/335**
- (58) **Field of Classification Search**
USPC D6/334, 335, 336, 349, 353, 354, 355,
D6/367, 368, 369, 371, 373, 374, 375,
D6/376, 379, 380, 403.4, 406.5, 650,
D6/708.21, 716, 716.1, 716.2, 716.4;
D21/687; D12/128, 133; 297/16.1, 42, 94,
297/135, 175, 232, 233, 313, 330, 339,
297/350, 351, 445.1, 448.1, 448.2, 451.9;
5/12.1, 12.2
CPC A61G 5/14; A61G 7/1021; A61G 5/00;
A47C 7/14; A47C 16/00; B66F 7/0641;
B66F 7/0608; B60N 2/18; B60N
2/16; B60N 2/181; B60N 2/1835; B60N
2/1889; B63B 29/04; B63B 29/00
See application file for complete search history.

- 6,113,188 A * 9/2000 Stewart A61G 5/14
297/339
- 8,322,791 B2 * 12/2012 Port A47C 16/025
297/423.39
- 8,936,306 B2 * 1/2015 Liu A47C 11/00
297/144
- 2003/0038518 A1 * 2/2003 Williams A61G 5/14
297/330
- 2011/0084529 A1 * 4/2011 Huang A61G 5/14
297/330
- 2014/0346836 A1 * 11/2014 Briggs A61G 5/14
297/452.41

OTHER PUBLICATIONS

Carex Health Brands Uplift Premium Seat Assist, posted at Amazon.com, posting date Feb. 23, 2013, [online], [site visited Sep. 20, 2016]. Available from Internet, <URL: <https://www.amazon.com/Health-Brands-Uplift-Premium-Standard/dp/B0056PQ5Z8?th=1>>.*

(Continued)

Primary Examiner — Thomas Johannes
Assistant Examiner — Catherine Ho
(74) *Attorney, Agent, or Firm* — Kevin Soules; Luis M. Ortiz; Kermit D. Lopez

(57) **CLAIM**

The ornamental design for a standing assistant, as shown and described.

(56) **References Cited**

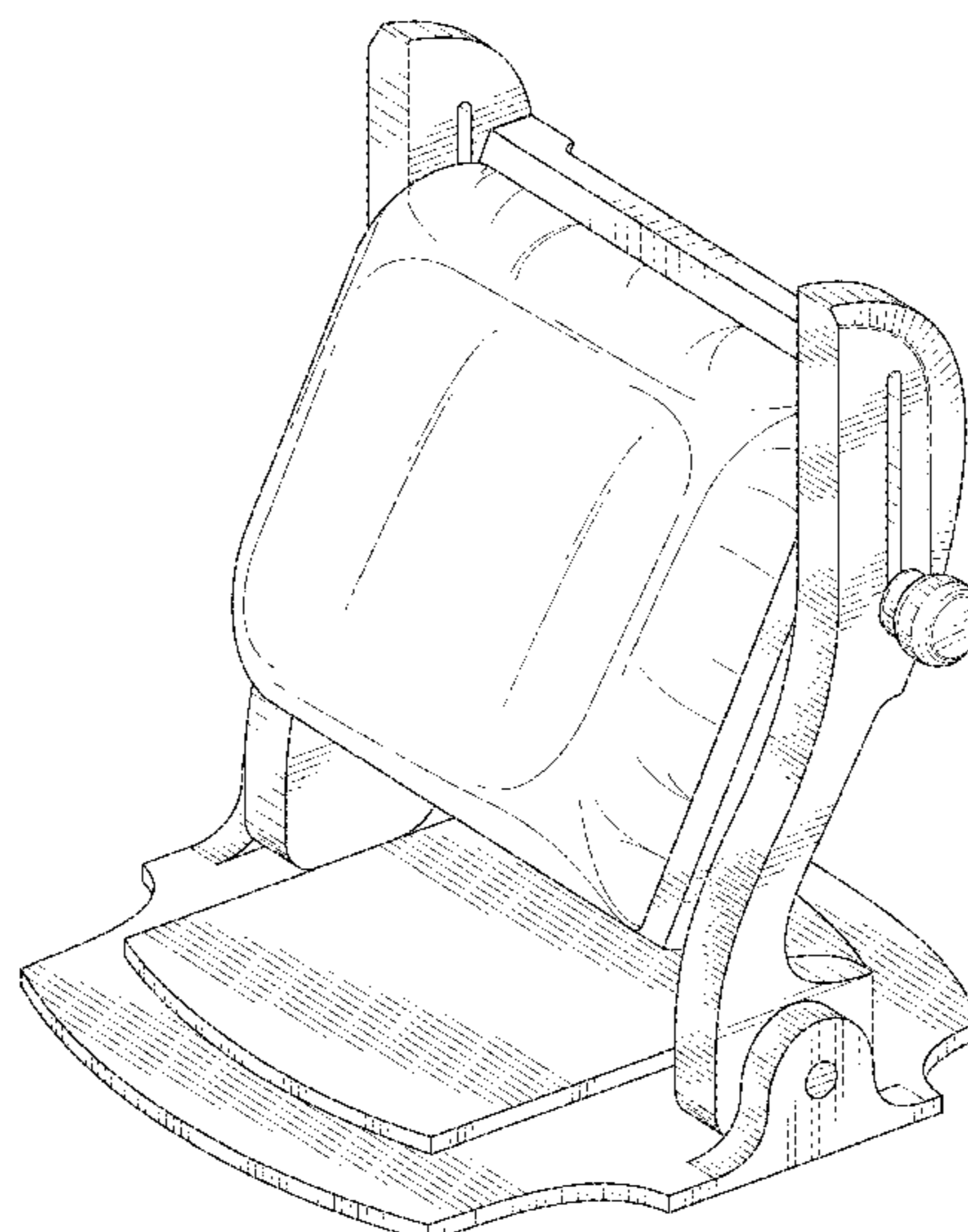
U.S. PATENT DOCUMENTS

- 1,063,809 A * 6/1913 Lawson A47C 7/024
297/233
- 4,688,851 A * 8/1987 Whiteford A47C 7/14
297/313
- 5,316,370 A * 5/1994 Newman A61G 5/14
297/313
- 5,423,280 A * 6/1995 Kelley B63B 29/04
114/363
- 5,918,936 A * 7/1999 Murphy A61G 5/14
297/313

DESCRIPTION

FIG. 1 is top front perspective view of a standing assistant; FIG. 2 is a front elevation view thereof; FIG. 3 is a rear elevation view thereof; FIG. 4 is a right side elevation view thereof; FIG. 5 is a left side elevation view thereof; FIG. 6 is a top plan view thereof; FIG. 7 is a bottom plan view thereof; and, FIG. 8 is a top rear perspective view thereof.

1 Claim, 8 Drawing Sheets



(56)

References Cited

OTHER PUBLICATIONS

Finally! A Chair for Your Standing Desk, posted at Incrediblethings.com, posting date Mar. 29, 2013, [online], [site visited Sep. 22, 2016]. Available from Internet, <URL: <http://incrediblethings.com/home/finally-a-chair-for-your-standing-desk/>>.*

ArjoHuntleigh Sara Stedy manual standing aid, posted at Medicaleshop.com, posting date Dec. 4, 2013, [online], [site visited Sep. 21, 2016]. Available from Internet, <URL: http://www.medicaleshop.com/arjohuntleigh-sara-stedy-manual-standing-aid.html?gclid=CjwKEAjw34i_BRDH9fbylbDJw1gSJAAvlFqUfe-m6l_FkszUdtNkfyRPnMnz3a0HfX4vP-zAwHlxLhoCop3w_wcB>.*

Ls400 Toilet Life, posted at Abledata.com, posting date May 20, 2012, [online], [site visited Sep. 21, 2016]. Available from Internet, <URL: <http://www.abledata.com/indexing-terms/powered-elevating-toilet-seat-lift>>.*

* cited by examiner

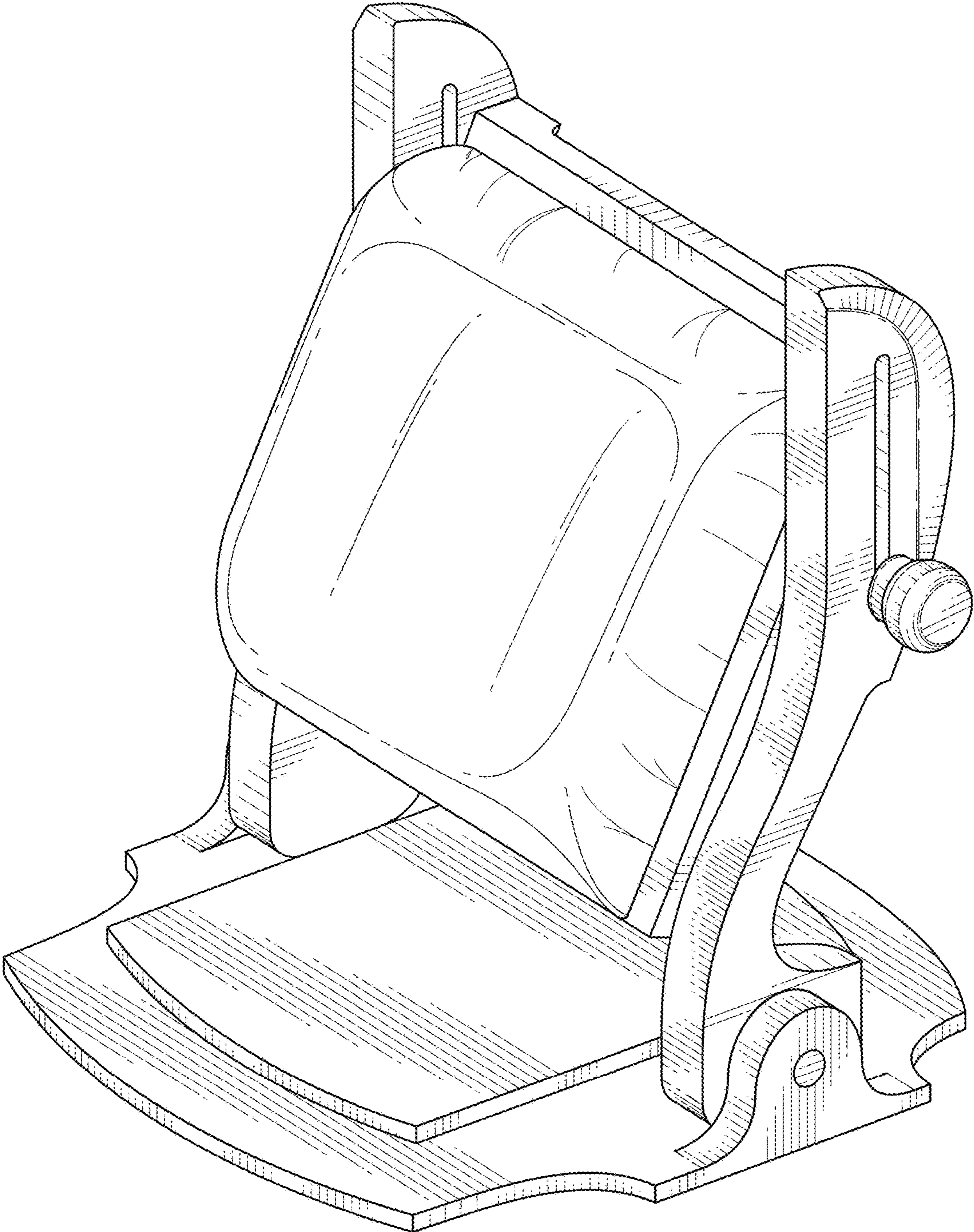


FIG. 1

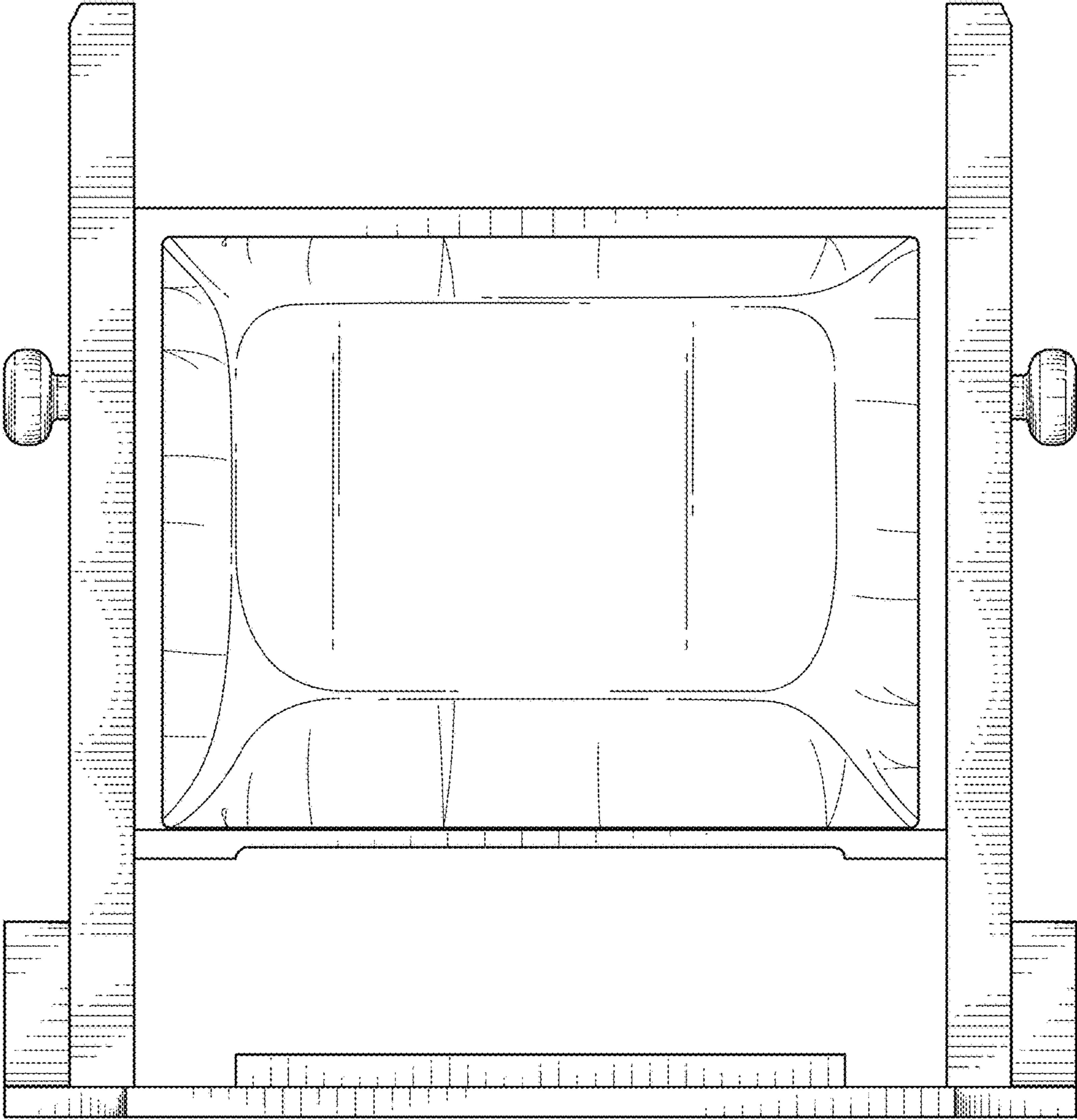


FIG. 2

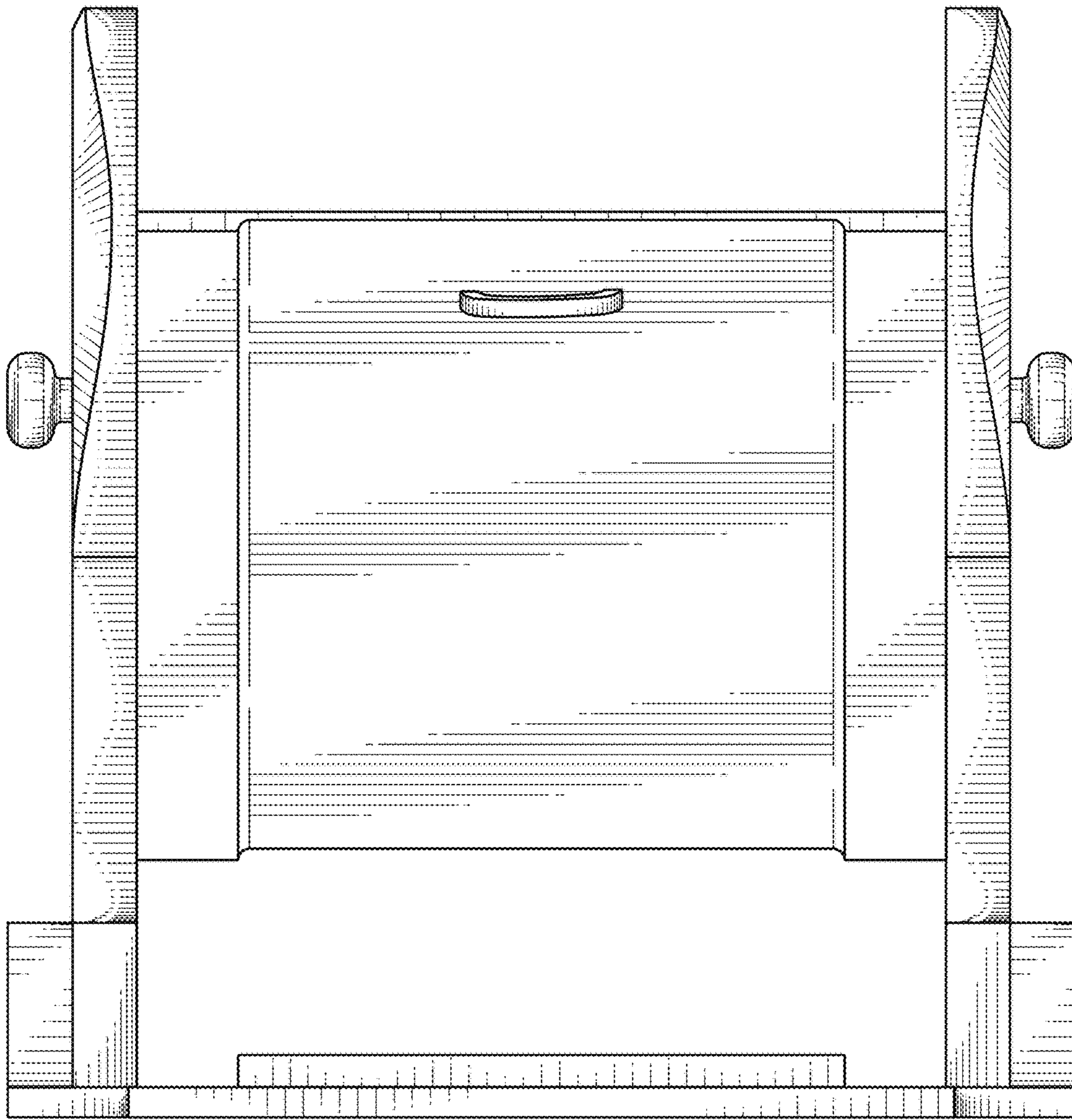


FIG. 3

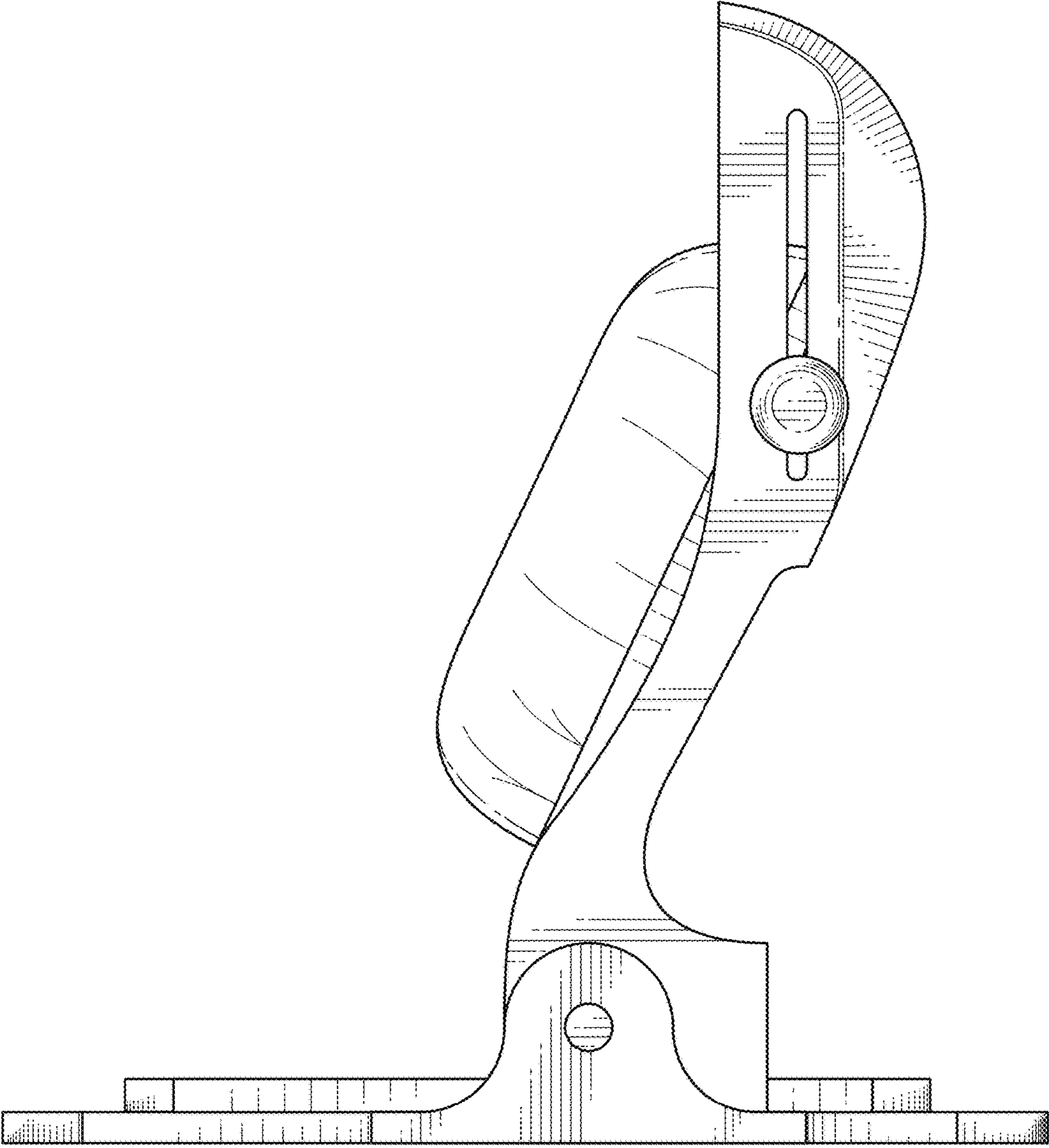


FIG. 4

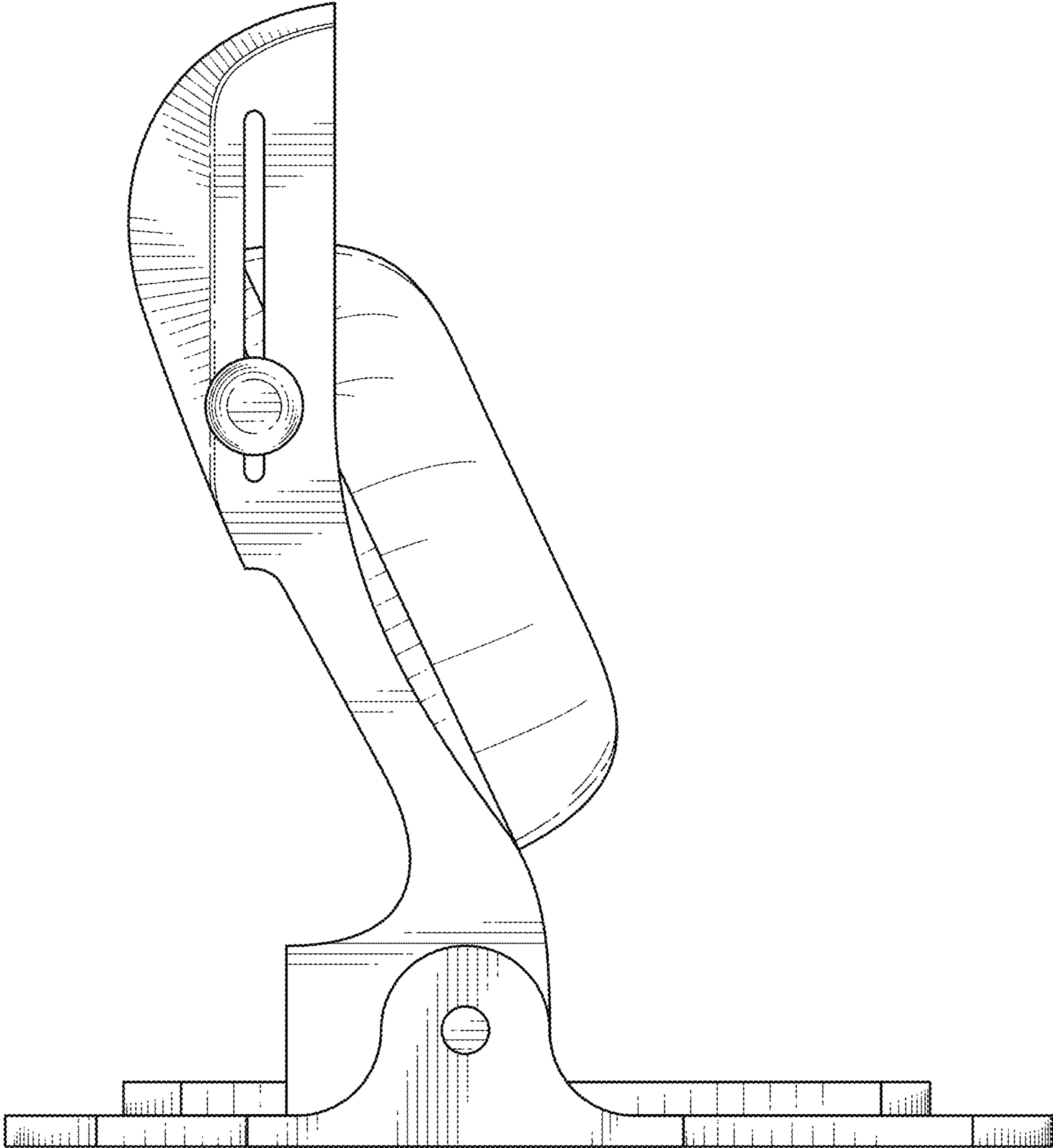


FIG. 5

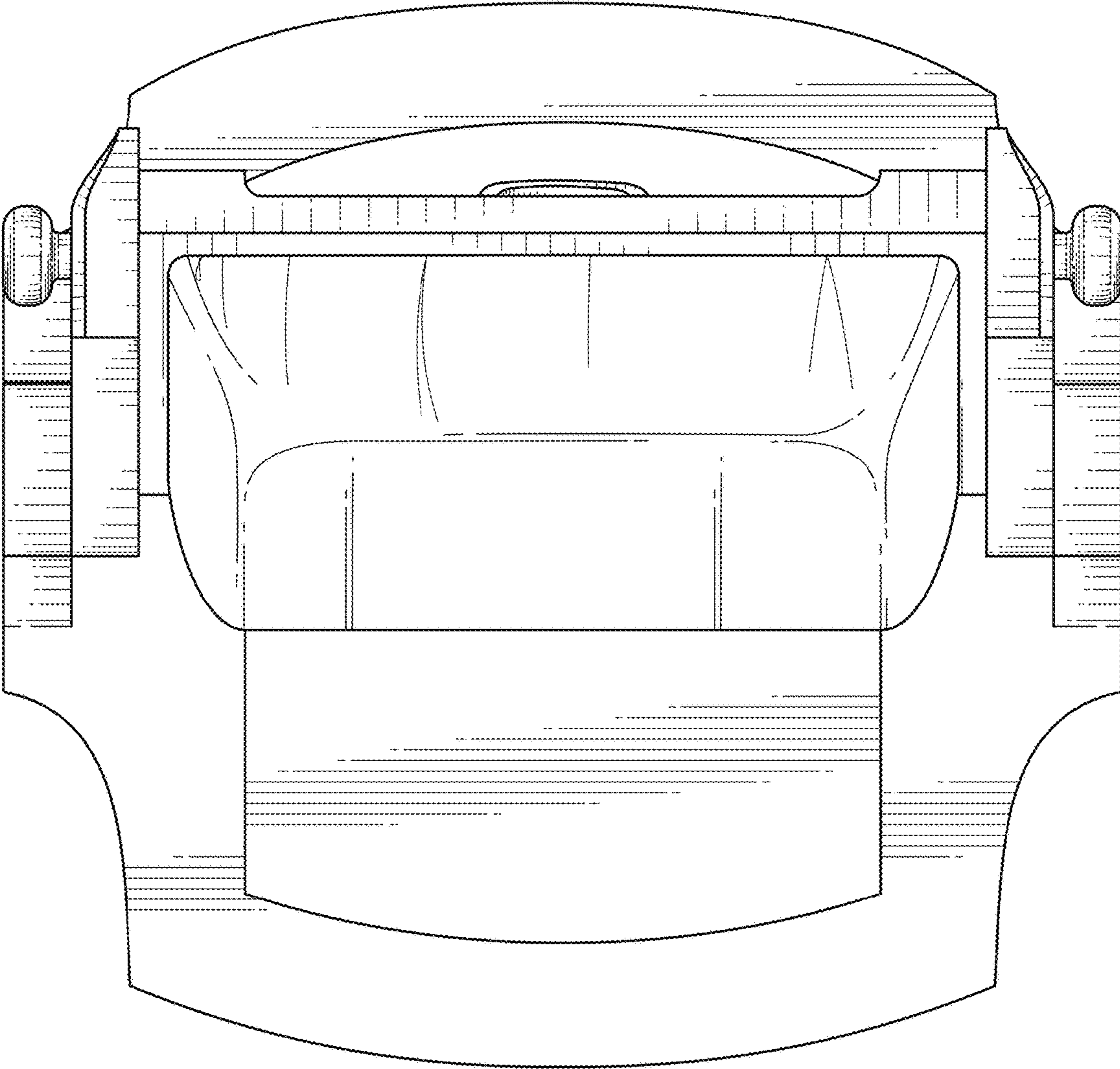


FIG. 6

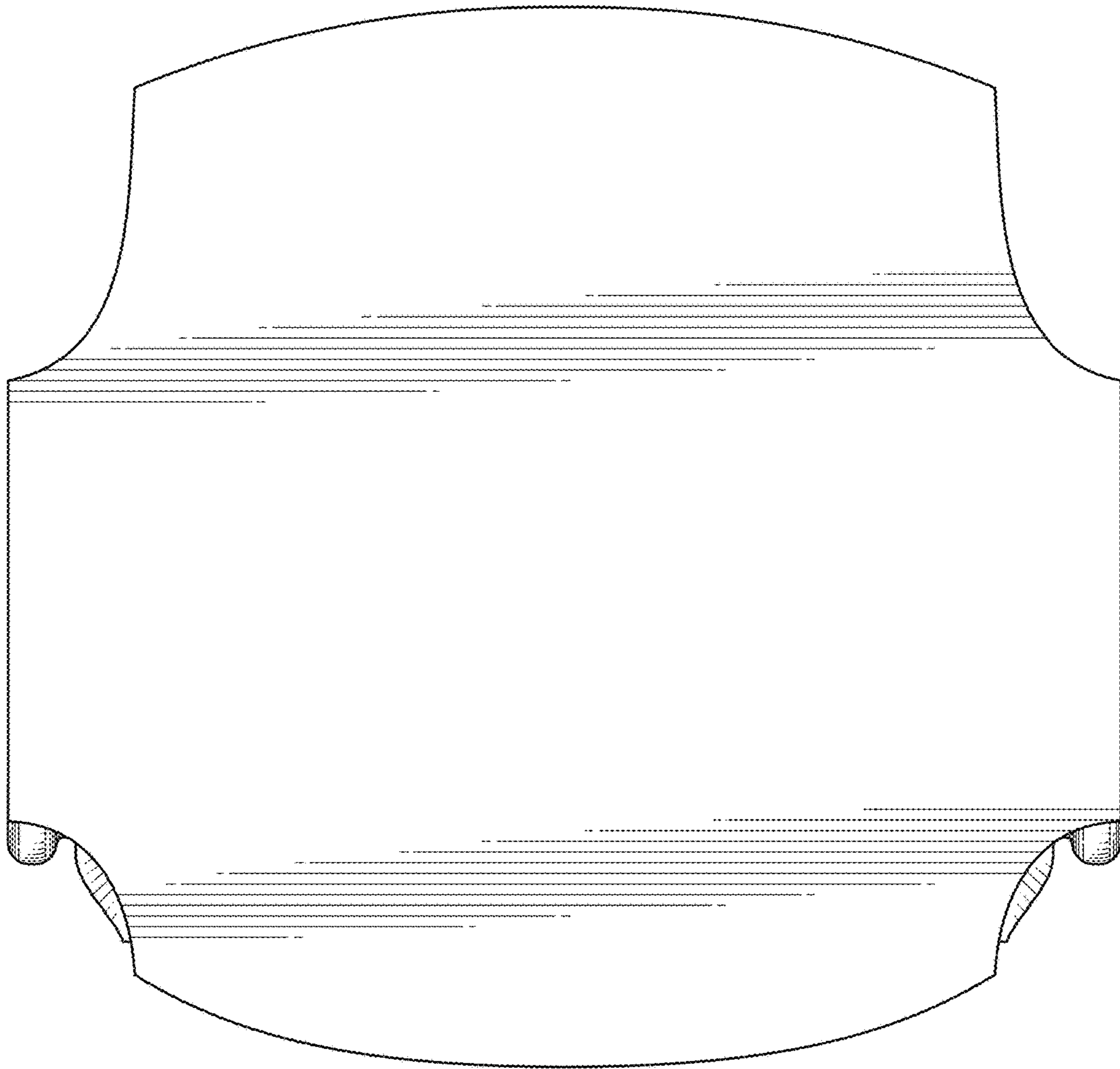


FIG. 7

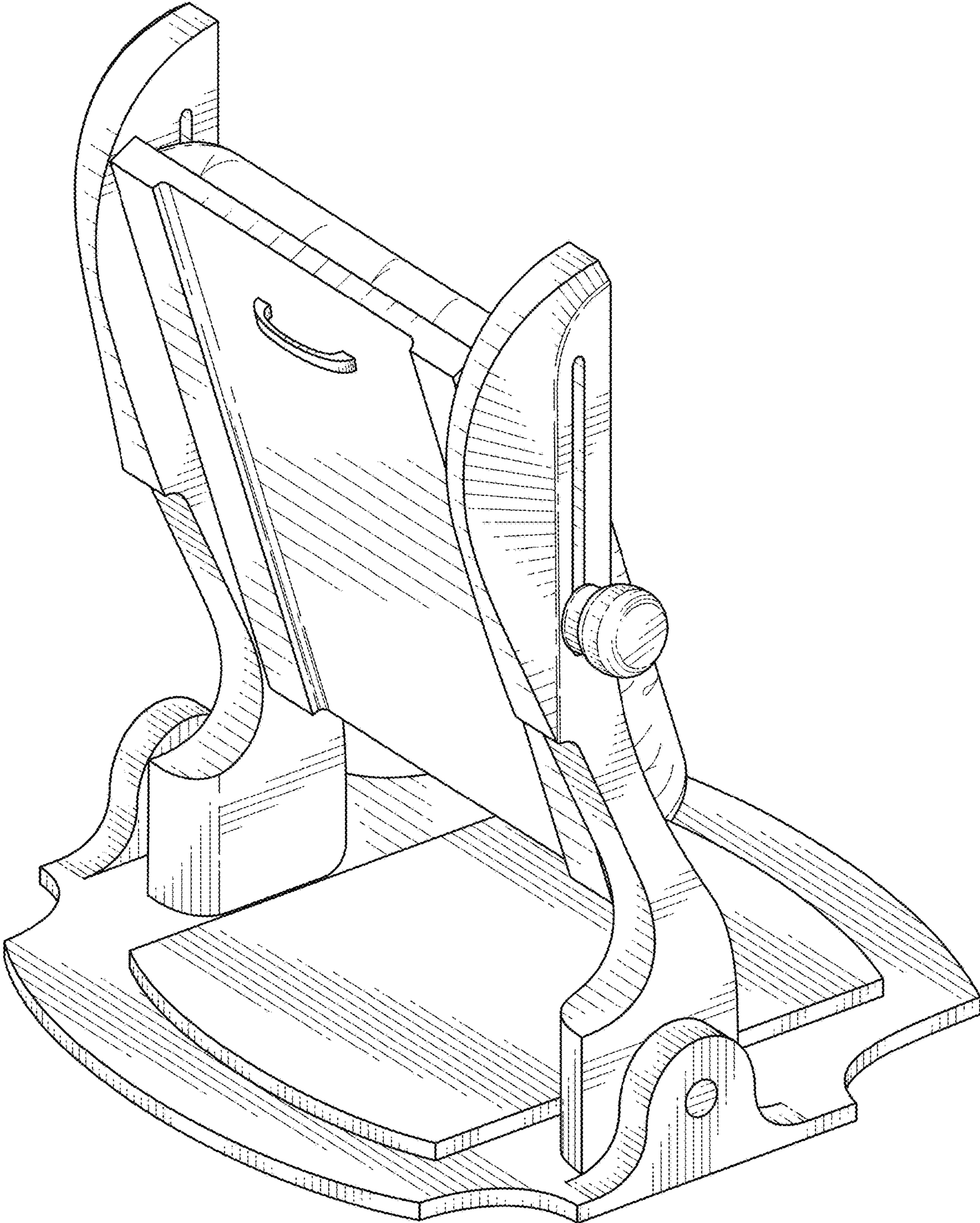


FIG. 8