



US00D778626S

(12) **United States Design Patent**
Holbrook

(10) **Patent No.:** **US D778,626 S**

(45) **Date of Patent:** **** Feb. 14, 2017**

(54) **MODULAR OFFICE PARTITION**
(71) Applicant: **Prospect Furniture LLC**, Pasadena,
CA (US)
(72) Inventor: **Richard Holbrook**, Pasadena, CA (US)

(**) Term: **15 Years**

(21) Appl. No.: **29/574,421**

(22) Filed: **Aug. 15, 2016**

(51) **LOC (10) Cl.** **06-06**

(52) **U.S. Cl.**
USPC **D6/332**

(58) **Field of Classification Search**
USPC D6/332, 643, 643.1, 648, 717; D25/58;
D23/406
CPC E04B 2/74; E04B 2/7401; E04B 2/7405;
E04B 2/7407; E04B 2/7416; E04B
2/7422; E04B 2/7425; E04B
2/7427; E04B 2/7433; E04B
2/7437; E04B 2/7438; E04B 2002/7487;
E04B 2/76; E04B 2/766; E04B
2/7809; A47B 2220/02; A47G 5/00
See application file for complete search history.

(56) **References Cited**

U.S. PATENT DOCUMENTS

1,430,672	A	10/1922	Mount	
2,371,300	A	5/1942	Kaufman	
2,324,398	A *	7/1943	Kahr	A47G 5/00 135/119
2,577,667	A *	12/1951	Waite	A47G 5/00 139/416
3,592,289	A	7/1971	Aysta	
3,713,474	A	1/1973	Orlando	
3,999,342	A *	12/1976	Kaulfuss	E04B 2/7425 52/239
4,516,620	A	5/1985	Mulhern	
D304,529	S *	11/1989	Hontz	D6/332
D353,946	S *	1/1995	Fischer	D25/58

D354,818	S *	1/1995	Johnson	D25/58
5,642,593	A	7/1997	Shieh	
D392,114	S	3/1998	Thorp	
D405,976	S	2/1999	Beall	
5,937,883	A	8/1999	Camara	
6,293,328	B1	9/2001	Fremont	
D449,169	S *	10/2001	Bennie	D6/332

(Continued)

FOREIGN PATENT DOCUMENTS

EP 0698699 8/2000

OTHER PUBLICATIONS

Archimede by Caimi Brevetti Spa—Integrated dividing panel, Dividing panels, Office dividing panels (on-line), dated Sep. 14, 2013. Retrieved from Internet Oct. 18, 2016, URL: <https://web.archive.org/web/20130914044916/http://www.idfdesign.com/partition-walls/archimede.html> (5 pages).*

(Continued)

Primary Examiner — Vy Koenig
Assistant Examiner — Kimberly Barnes
(74) *Attorney, Agent, or Firm* — Vested Law LLP

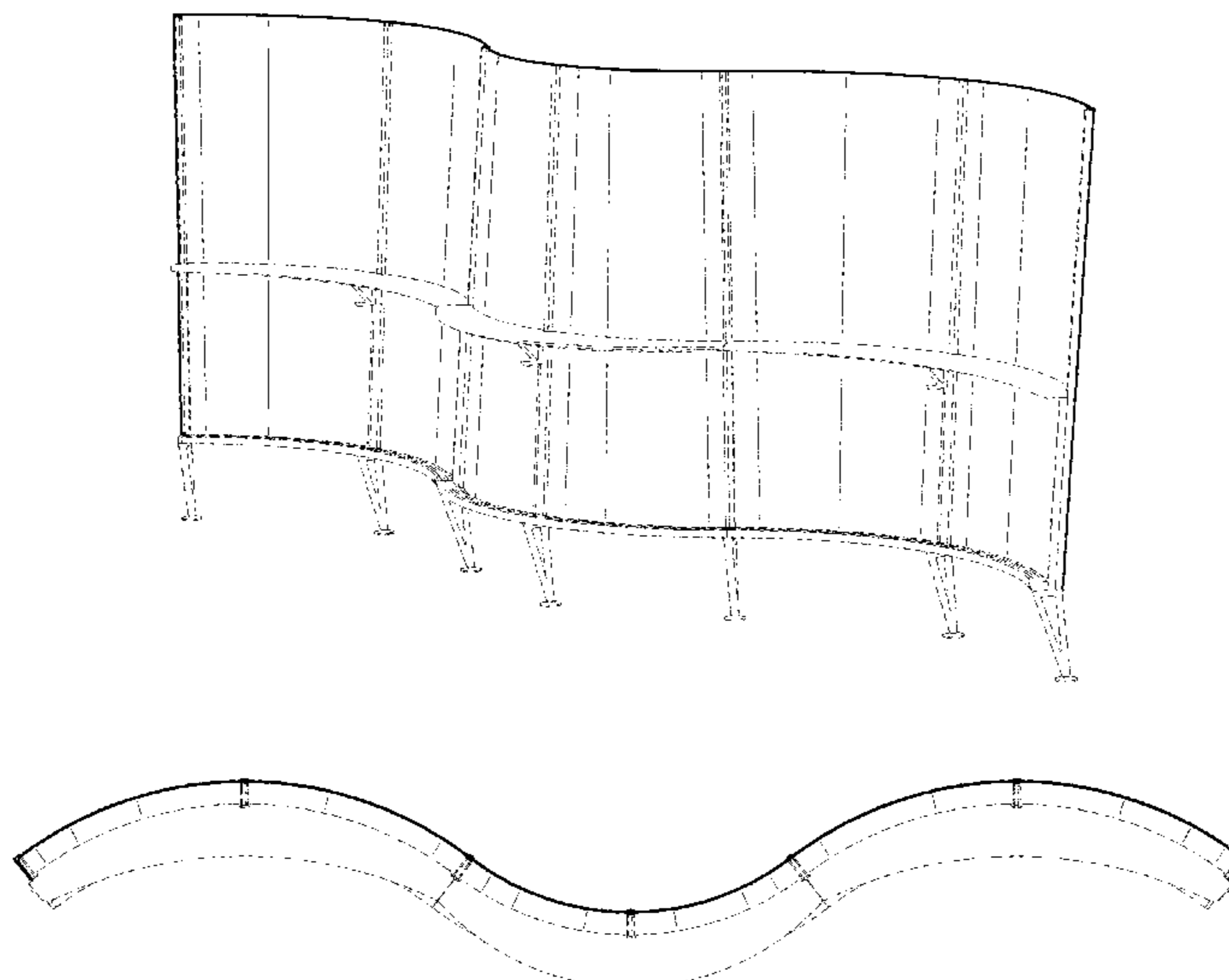
(57) **CLAIM**

The ornamental design for a modular office partition, as shown and described.

DESCRIPTION

FIG. 1 is a perspective view embodying the inventive design;
FIG. 2 is a front view thereof;
FIG. 3 is a left view thereof;
FIG. 4 is a rear view thereof;
FIG. 5 is a top view thereof; and,
FIG. 6 is a bottom view thereof.
The broken lines are directed to portions of the modular office partition that form no part of the claimed design.

1 Claim, 5 Drawing Sheets



(56)

References Cited

U.S. PATENT DOCUMENTS

D450,465 S 11/2001 Overthun
 6,332,295 B1 12/2001 Spielhoff
 6,516,571 B1 2/2003 Overthun
 D481,546 S * 11/2003 Dowd D6/332
 D481,886 S * 11/2003 Fahnstrom D6/643
 D497,486 S * 10/2004 Quiel D6/332
 D513,564 S 1/2006 Nobles
 D525,460 S 7/2006 Nobles
 D536,540 S * 2/2007 Partridge D6/332
 D538,060 S * 3/2007 Golino D6/643
 7,231,954 B2 6/2007 Green
 D559,564 S 1/2008 Bakker
 D559,565 S 1/2008 Bakker
 7,520,370 B2 * 4/2009 Gudim E04B 1/8209
 181/284
 7,975,445 B2 7/2011 Parshad
 D651,416 S 1/2012 Martin
 8,893,762 B2 * 11/2014 Ryan E04B 2/7425
 160/135

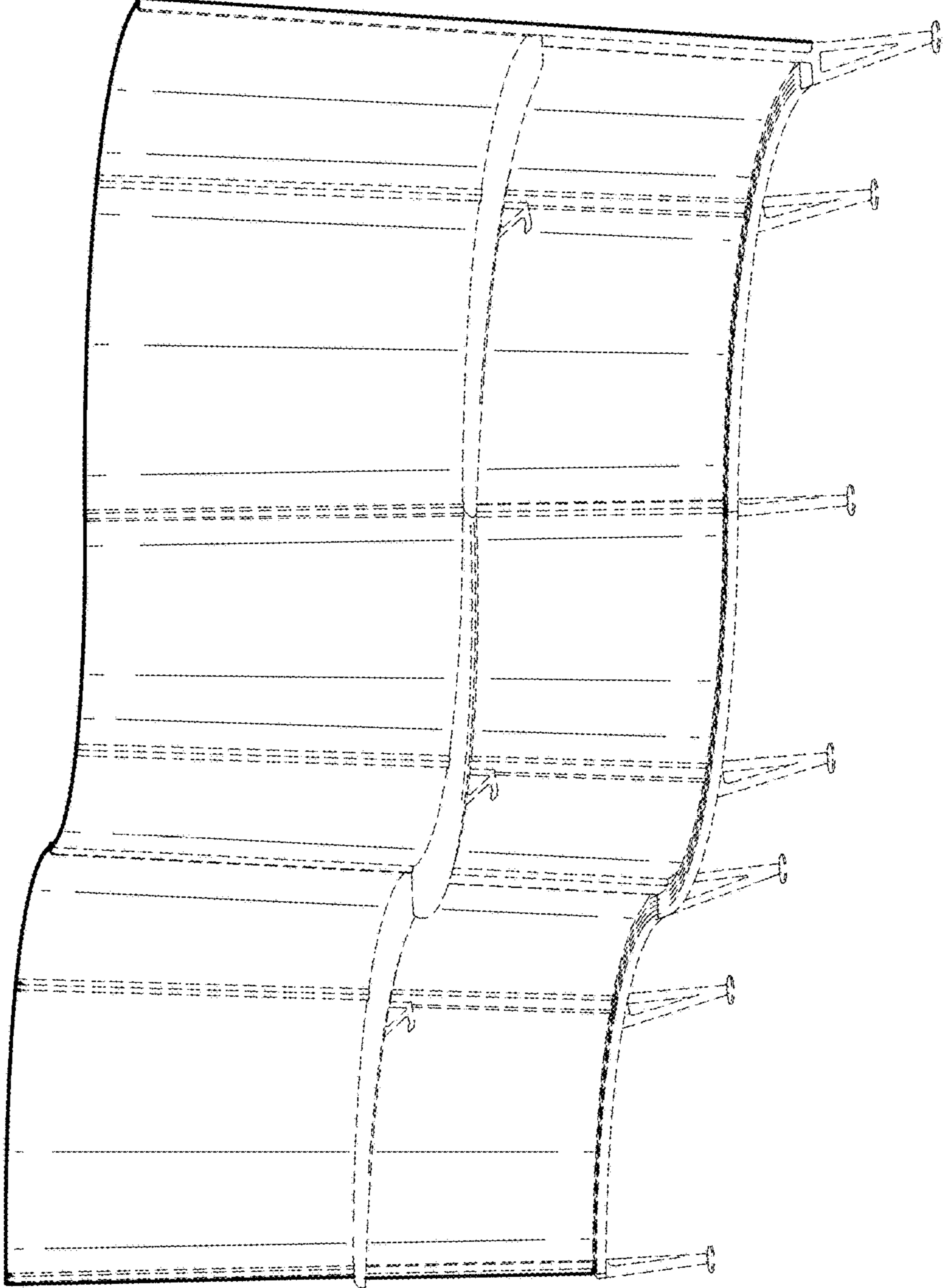
D740,784 S * 10/2015 O'Polka D14/204
 D758,776 S * 6/2016 McKenna D6/717
 9,403,400 B2 * 8/2016 McManus A47B 97/04
 2004/0035074 A1 2/2004 Stanescu
 2005/0000168 A1 1/2005 Wright
 2005/0016081 A1 * 1/2005 Gomree A47B 13/04
 52/36.1
 2005/0140184 A1 * 6/2005 Williams A47C 13/00
 297/135
 2008/0173779 A1 7/2008 Beno
 2008/0190043 A1 * 8/2008 Beckmann A47H 21/00
 52/64
 2010/0051211 A1 * 3/2010 Chen E04B 2/7427
 160/135
 2015/0007516 A1 1/2015 Glick

OTHER PUBLICATIONS

Orangebox.com, Apr. 7, 2016, Internet printout: http://www.orangebox.com/product_range/pods_and_screens.

* cited by examiner

FIG. 1



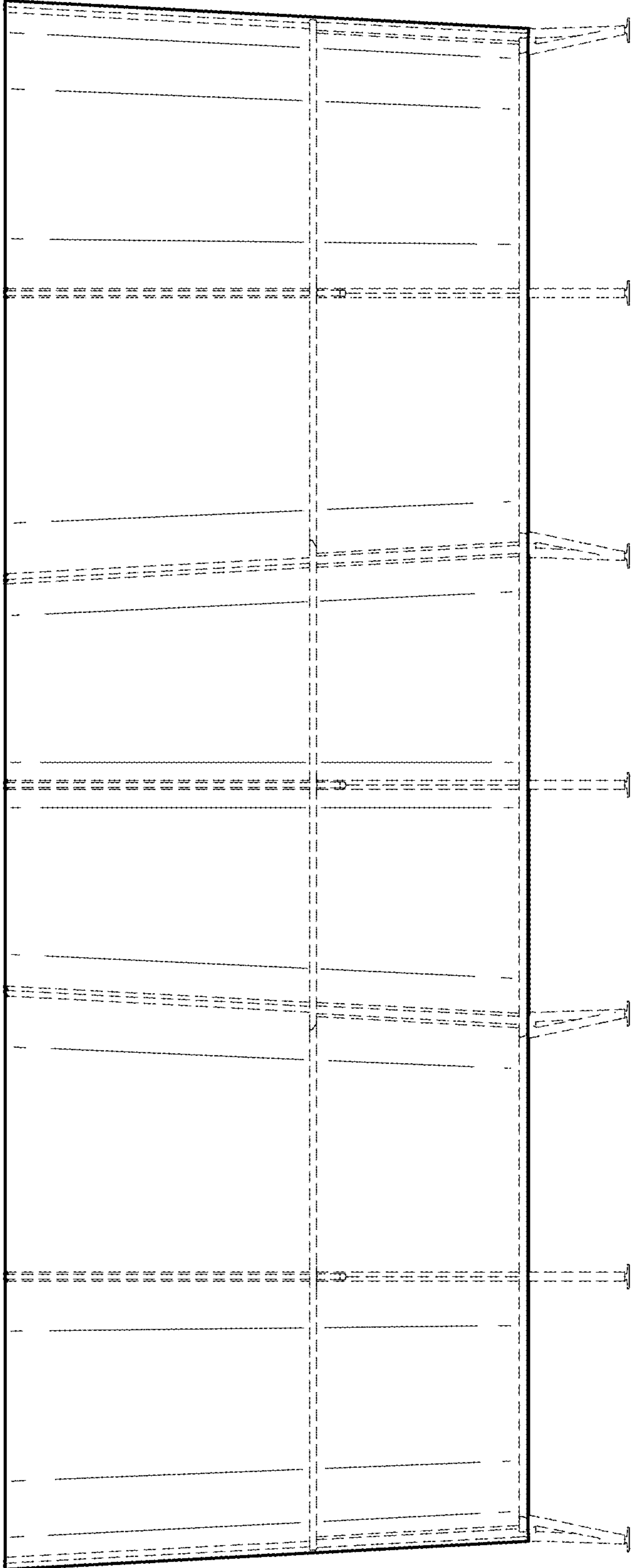


FIG. 2

FIG. 3

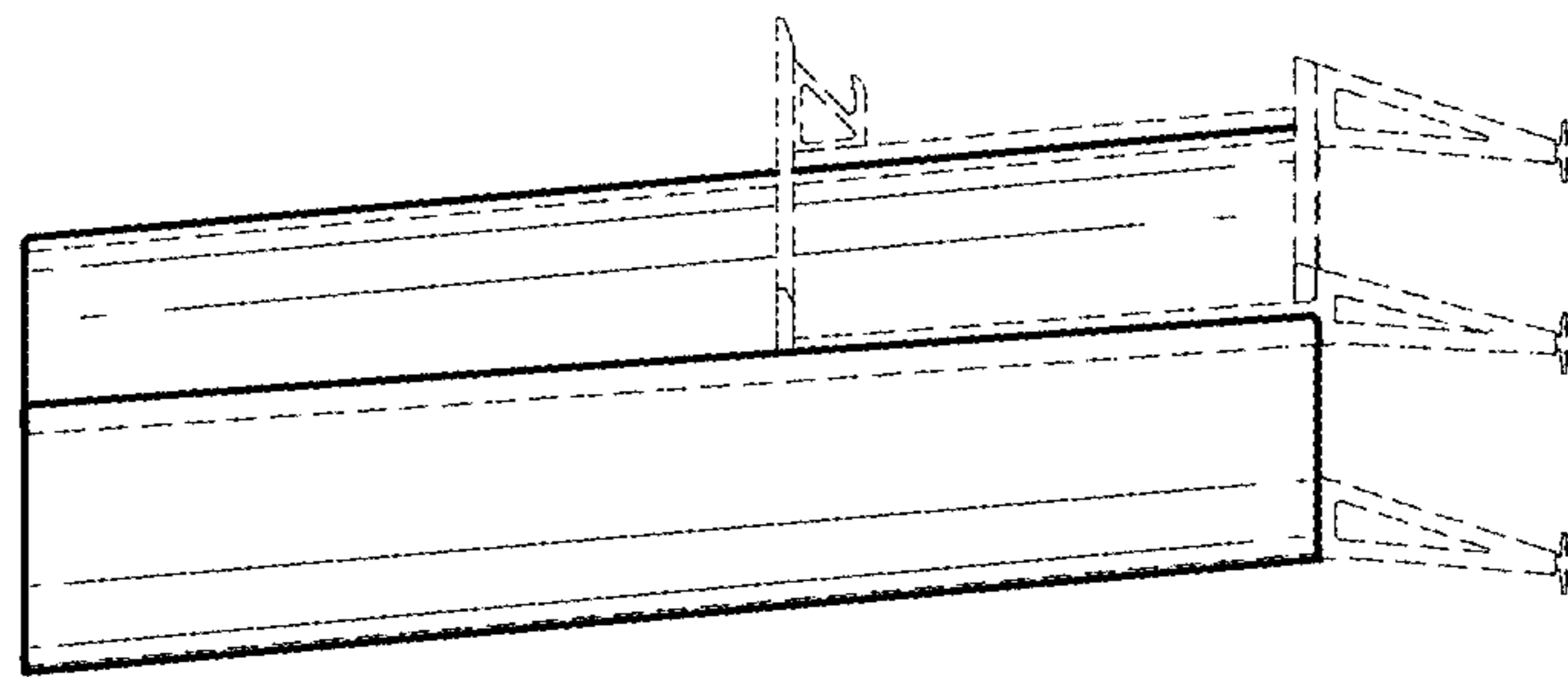


FIG. 4

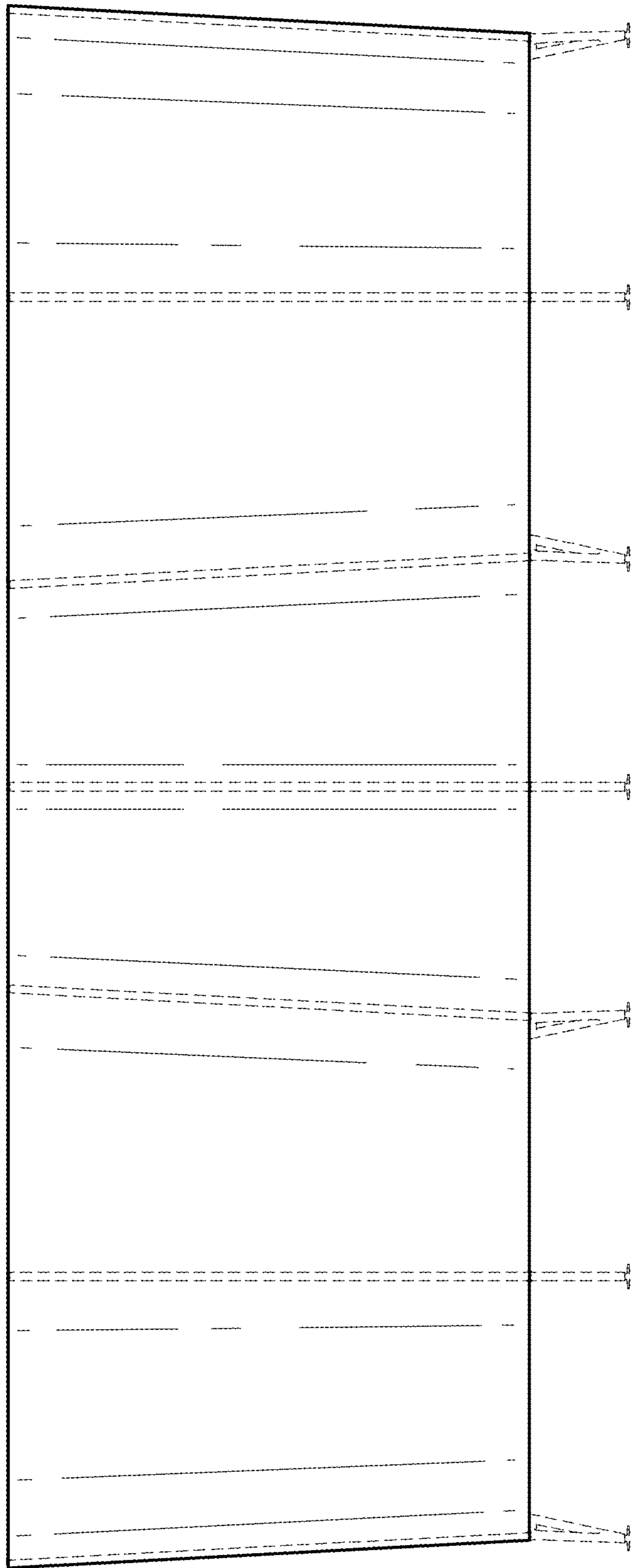


FIG. 5

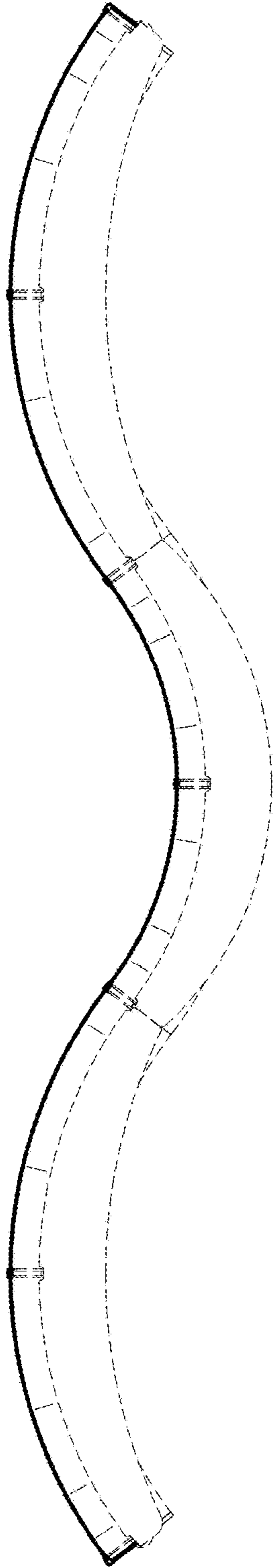


FIG. 6

