



US00D778623S

(12) **United States Design Patent**
Jain

(10) **Patent No.:** **US D778,623 S**

(45) **Date of Patent:** **** Feb. 14, 2017**

(54) **COSMETIC BRUSH FERRULE**

(71) Applicant: **Indeutsch Industries Private Limited,**
Noida (IN)

(72) Inventor: **Samir Jain,** Noida (IN)

(73) Assignee: **INDEUTSCH INDUSTRIES**
PRIVATE LIMITED, Nodia (IN)

(**) Term: **15 Years**

(21) Appl. No.: **29/548,928**

(22) Filed: **Dec. 17, 2015**

(30) **Foreign Application Priority Data**

Dec. 15, 2015 (EM) 002910968

(51) **LOC (10) Cl.** **04-99**

(52) **U.S. Cl.**
USPC **D4/199**

(58) **Field of Classification Search**
USPC D3/228, 269, 300; D4/199; D9/702, 711,
D9/712; 15/246, 247; 150/161; 206/15.3,
206/284, 361, 362.2, 362.3, 362.4;
428/34.3

CPC .. A46B 17/04; A46B 2200/202; B65D 25/105
See application file for complete search history.

(56) **References Cited**

U.S. PATENT DOCUMENTS

D161,653 S * 1/1951 Sacks D4/199
D443,815 S * 6/2001 Adriaenssens D4/199
D449,932 S * 11/2001 Ancona D4/199

D452,383 S * 12/2001 Kim D4/199
D452,777 S * 1/2002 Newman D4/138
D466,700 S * 12/2002 Richmond D13/108
D545,062 S * 6/2007 Nagoya D4/113
D735,382 S * 7/2015 Blanchette D26/38
D762,070 S * 7/2016 Katsuma D4/199

* cited by examiner

Primary Examiner — Austin Murphy

(74) *Attorney, Agent, or Firm* — Katten Muchin
Rosenman LLP

(57) **CLAIM**

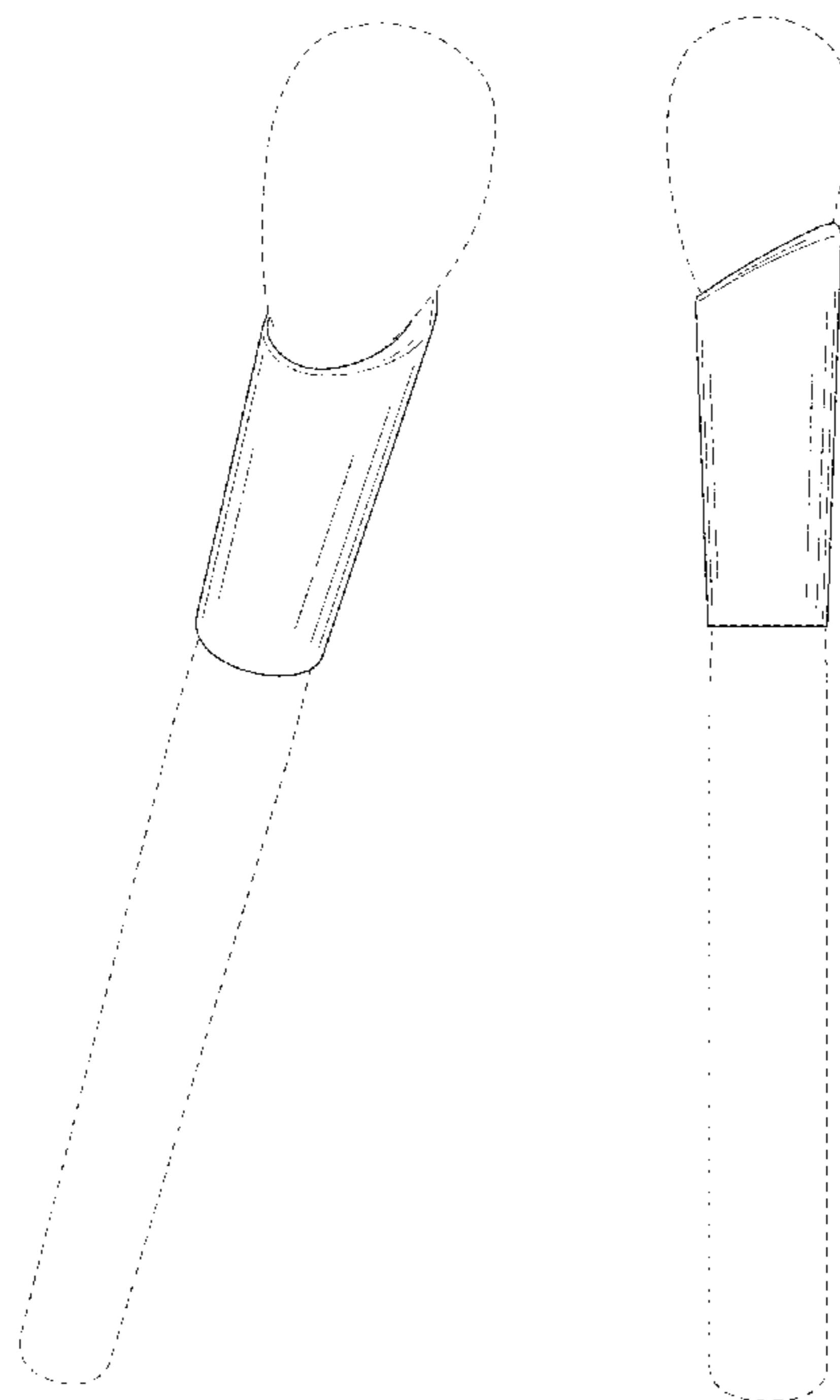
The ornamental design for the cosmetic brush ferrule, as shown and described.

DESCRIPTION

FIG. 1 is a front perspective view of a cosmetic brush ferrule of the present invention;
FIG. 2 is a frontal view of the cosmetic brush ferrule of the present invention;
FIG. 3 is a rear view of the cosmetic brush ferrule of the present invention;
FIG. 4 is a first side view of the cosmetic brush ferrule of the present invention;
FIG. 5 is a second side view of the cosmetic brush ferrule of the present invention;
FIG. 6 is a top view of the cosmetic brush ferrule of the present invention; and,
FIG. 7 is a bottom view of the cosmetic brush ferrule of the present invention.

The broken lines in the drawings represent unclaimed subject matter and form no part of the claim.

1 Claim, 4 Drawing Sheets



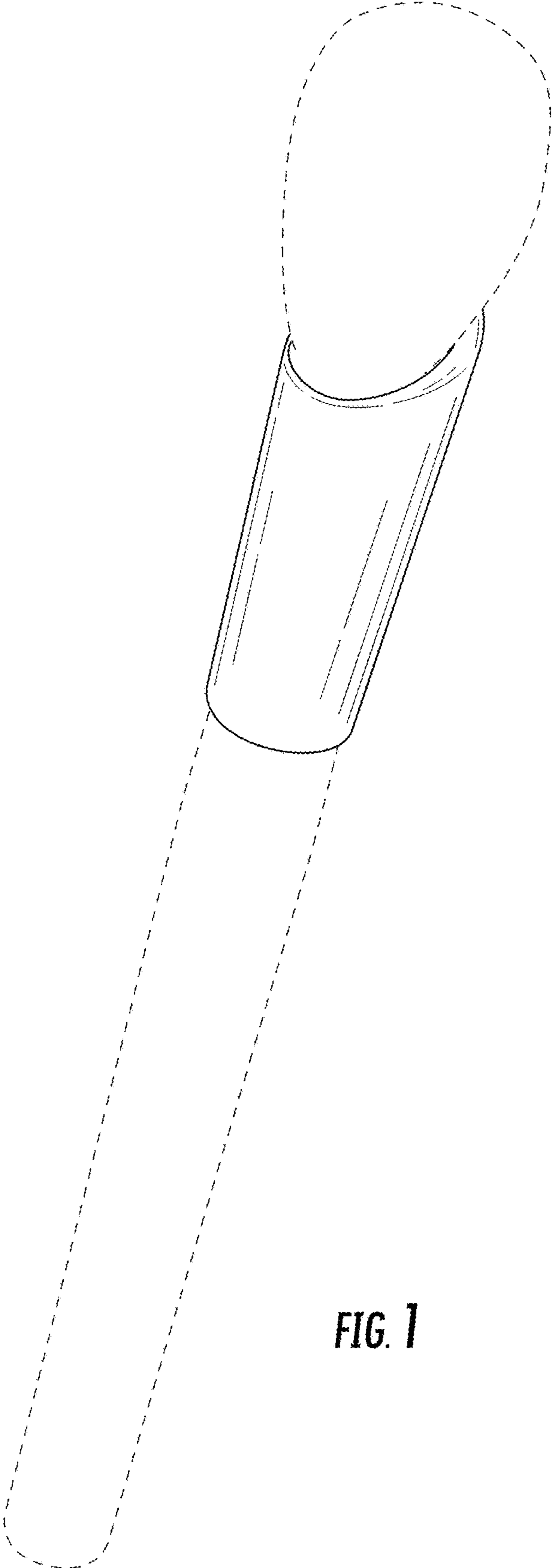


FIG. 1

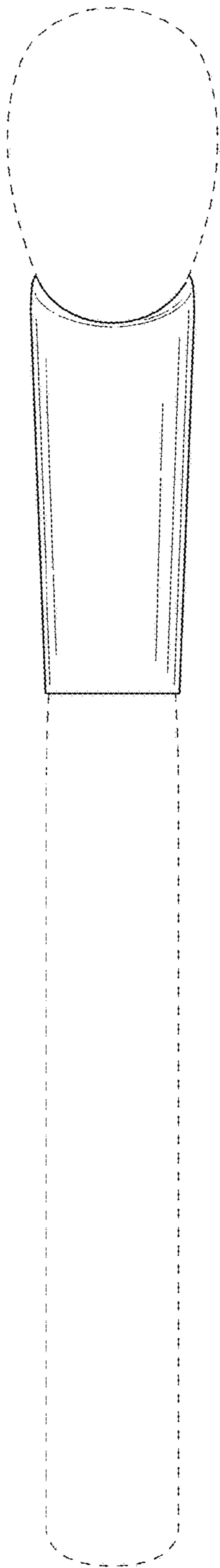


FIG. 2

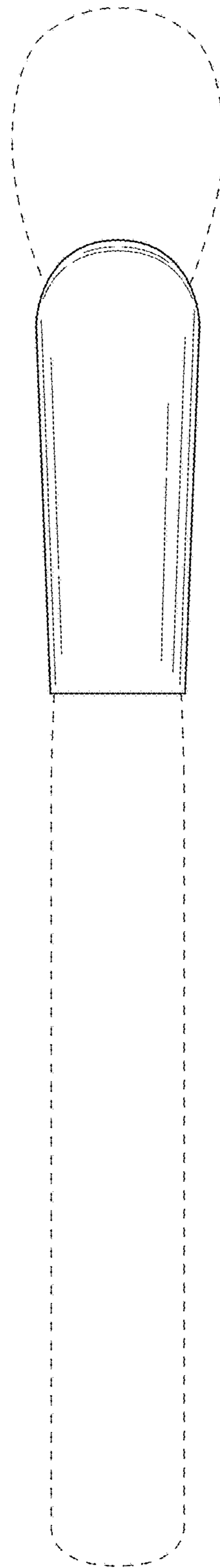


FIG. 3

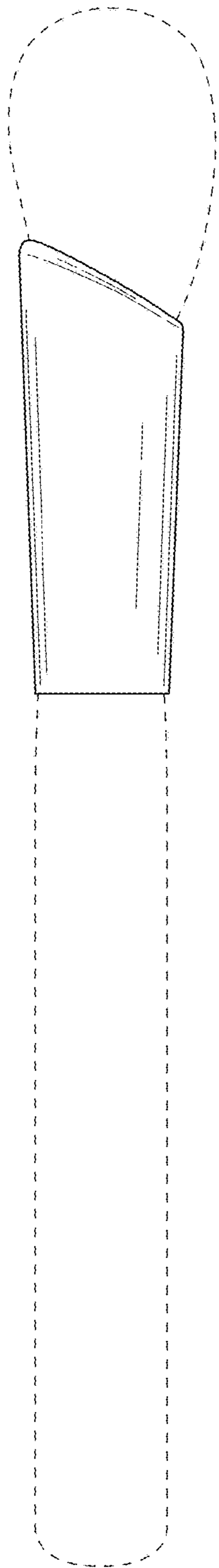


FIG. 4

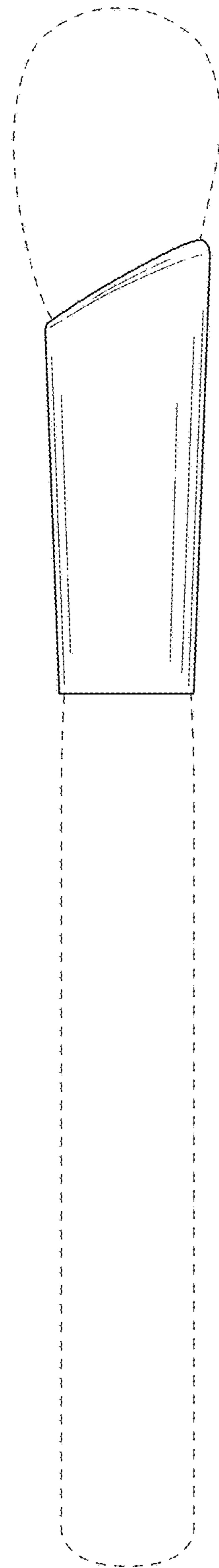


FIG. 5

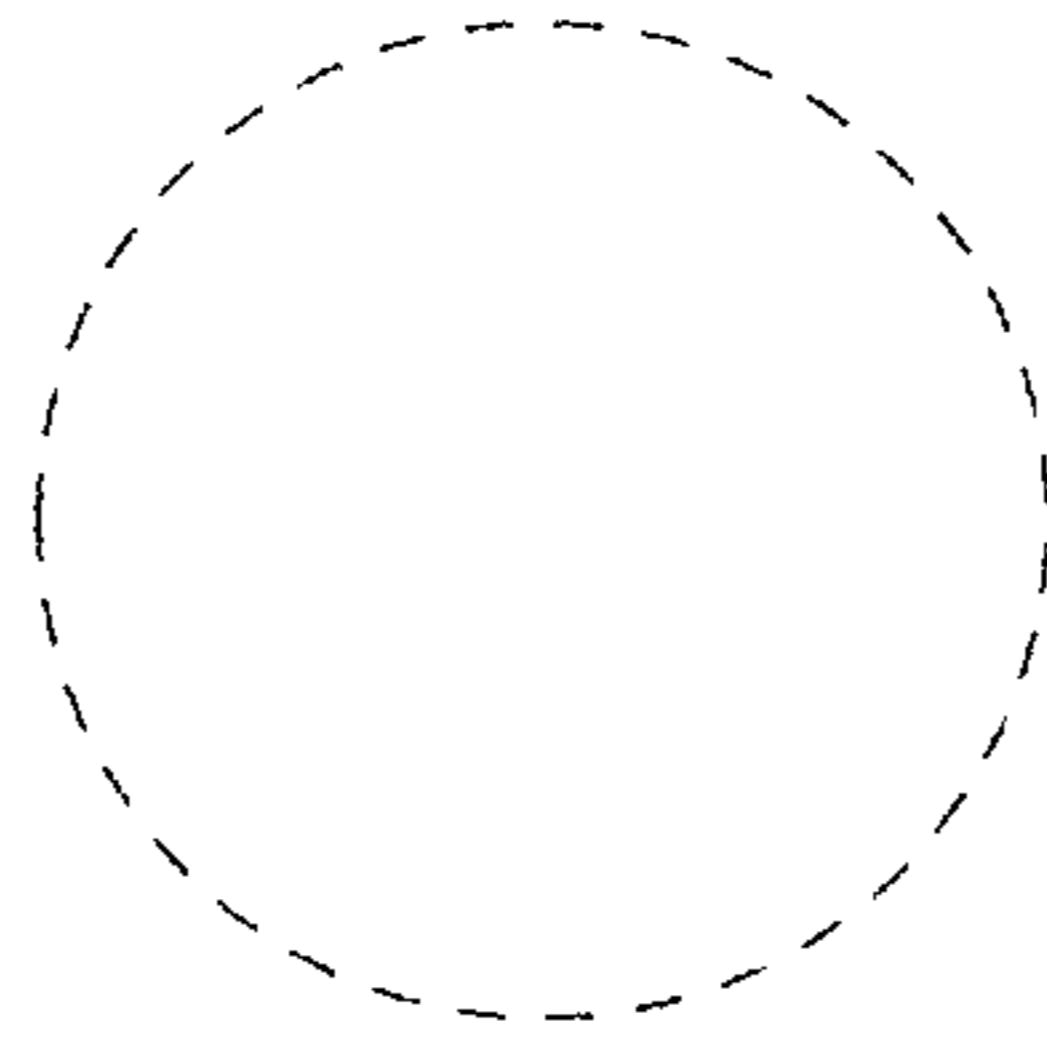


FIG. 6

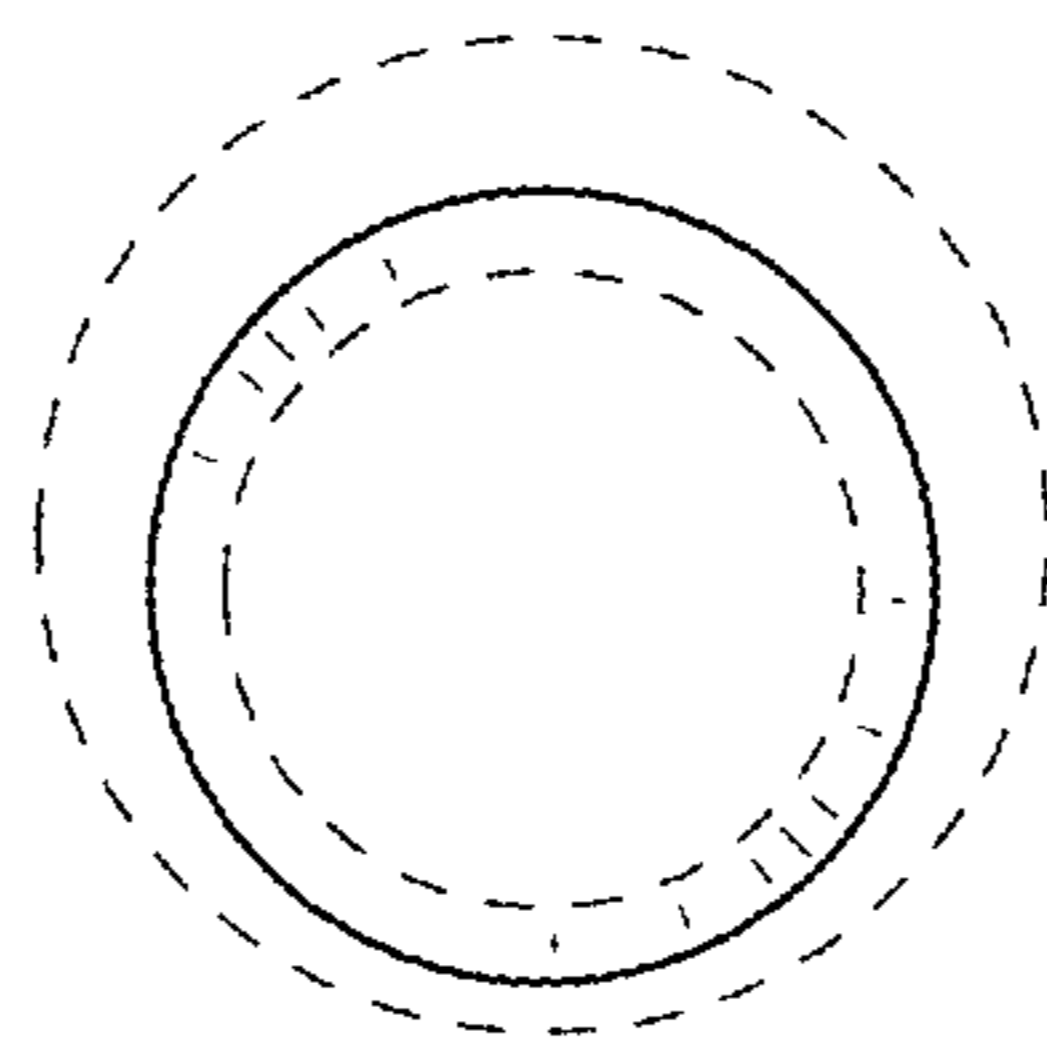


FIG. 7