



US00D778620S

(12) **United States Design Patent**
Jain

(10) **Patent No.:** **US D778,620 S**

(45) **Date of Patent:** **** Feb. 14, 2017**

- (54) **COSMETIC BRUSH**
- (71) Applicant: **Indeutsch Industries Private Limited**,
Noida (IN)
- (72) Inventor: **Samir Jain**, Noida (IN)
- (73) Assignee: **INDEUTSCH INDUSTRIES**
PRIVATE LIMITED, Nodia (IN)

D376,910 S	*	12/1996	Tuchman	401/139
D435,349 S	*	12/2000	Kim	D4/135
D450,930 S	*	11/2001	Mink	D4/135
D450,931 S	*	11/2001	Mink	D4/135
D562,566 S	*	2/2008	Mink	D4/135
D630,437 S	*	1/2011	Carey	D4/116
D749,858 S	*	2/2016	Snook	D4/135
D749,859 S	*	2/2016	Snook	D4/135

- (**) Term: **15 Years**
- (21) Appl. No.: **29/548,874**
- (22) Filed: **Dec. 17, 2015**

* cited by examiner

Primary Examiner — Austin Murphy
(74) *Attorney, Agent, or Firm* — Katten Muchin
Rosenman LLP

(30) **Foreign Application Priority Data**

Dec. 15, 2015 (EM) 002910968

(51) **LOC (10) Cl.** **04-02**

(52) **U.S. Cl.**
USPC **D4/135**

(58) **Field of Classification Search**
USPC D4/121, 127, 135, 138; 15/106, 159.1,
15/160, 176.1, 184, 190-194; 132/289,
132/294, 298, 313, 317, 320; 401/123,
401/141, 175, 281
CPC A46B 7/026; A46B 5/005; A46B 17/04;
A46B 2200/1046
See application file for complete search history.

(57) **CLAIM**

The ornamental design for the cosmetic brush, as shown and described.

DESCRIPTION

FIG. 1 is a front perspective view of a cosmetic brush of the present invention;
FIG. 2 is a frontal view of the cosmetic brush of the present invention;
FIG. 3 is a rear view of the cosmetic brush of the present invention;
FIG. 4 is a first side view of the cosmetic brush of the present invention;
FIG. 5 is a second side view of the cosmetic brush of the present invention;
FIG. 6 is a top view of the cosmetic brush of the present invention; and,
FIG. 7 is a bottom view of the cosmetic brush of the present invention.

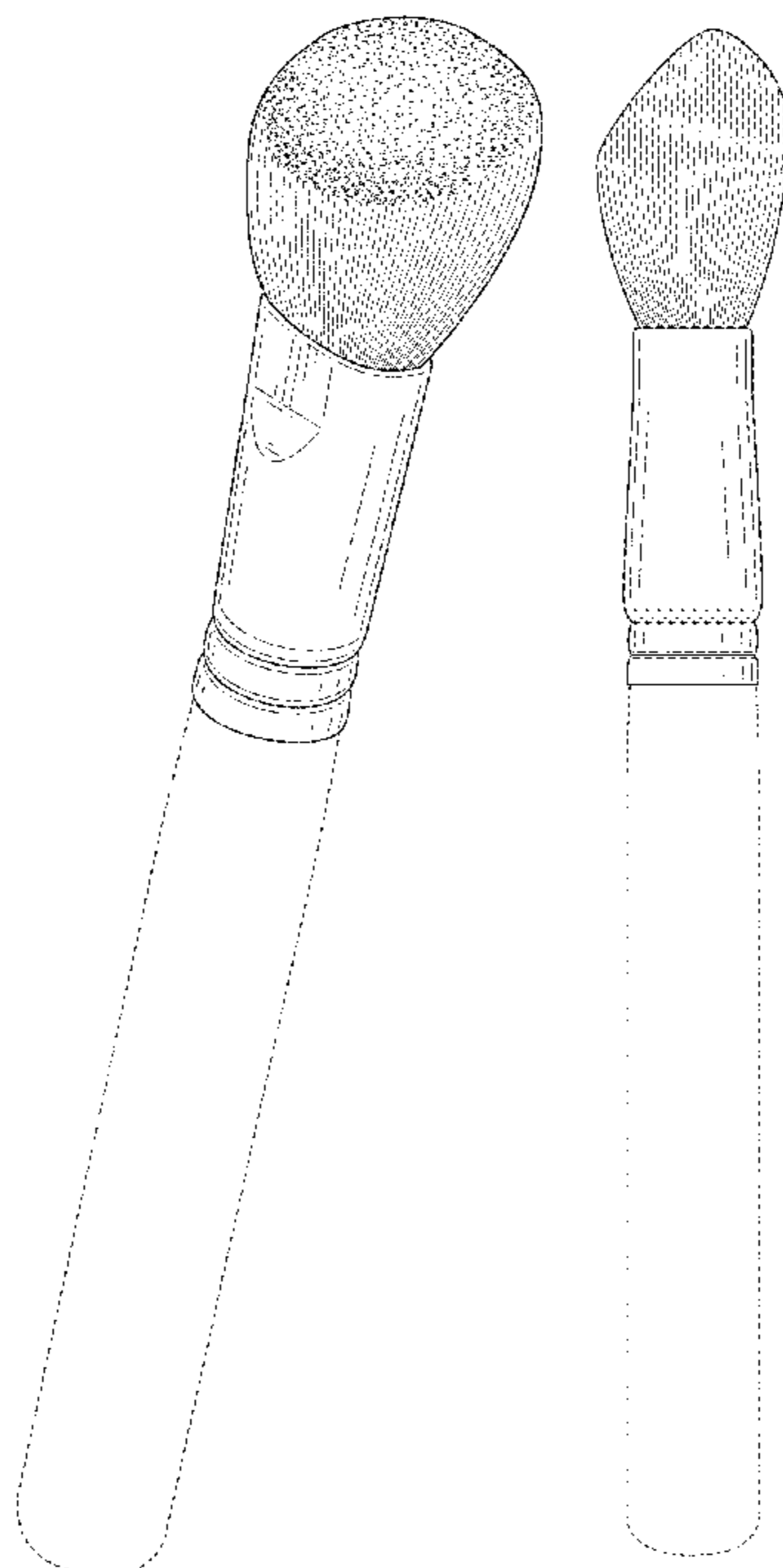
The broken lines in the drawings represent unclaimed subject matter and form no part of the claim.

(56) **References Cited**

U.S. PATENT DOCUMENTS

D278,951 S	*	5/1985	Kalinsky	D28/7
D350,853 S	*	9/1994	Basque	D4/135

1 Claim, 4 Drawing Sheets



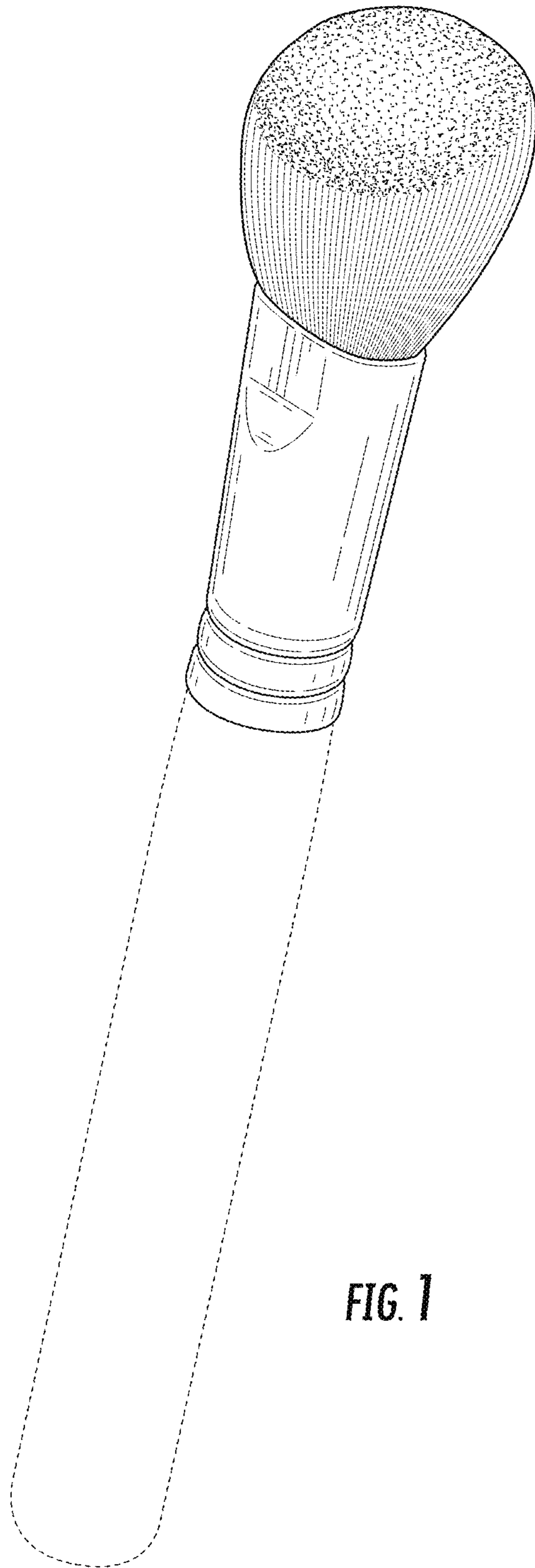


FIG. 1

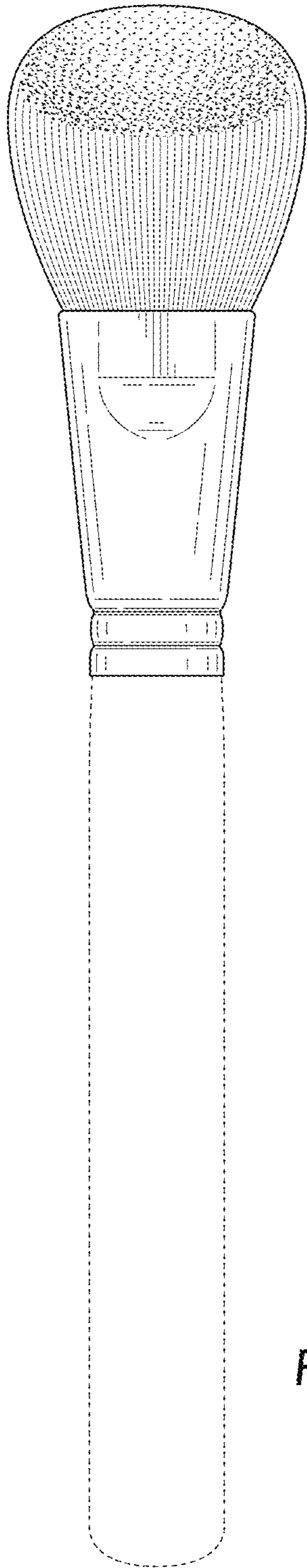


FIG. 2

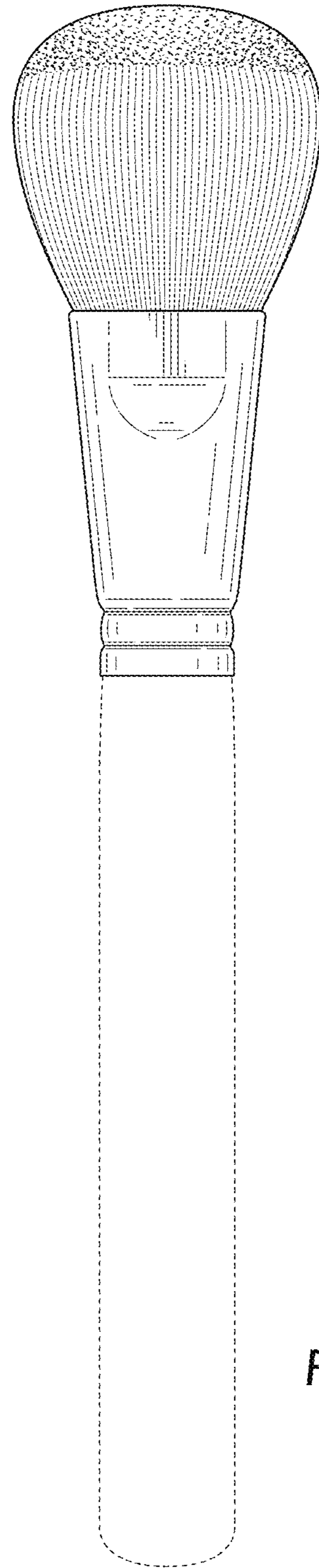


FIG. 3

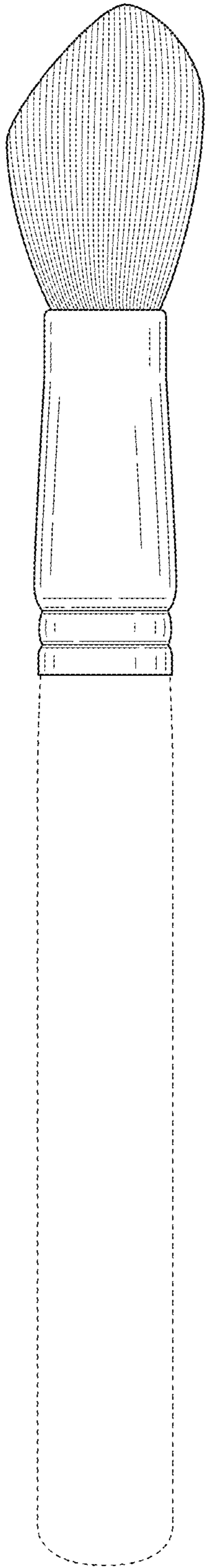


FIG. 4

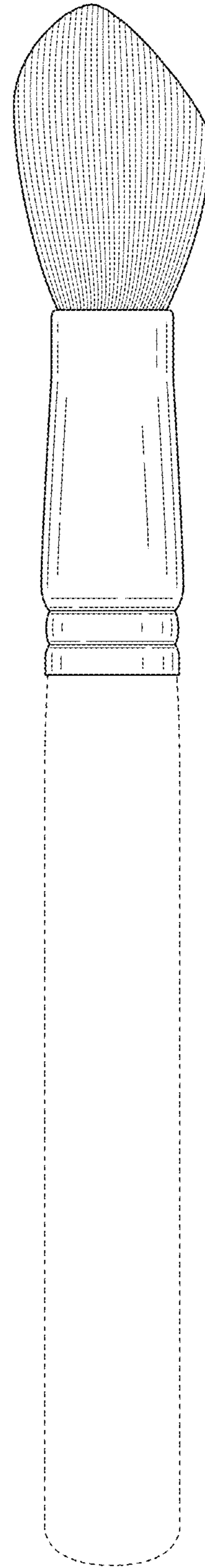


FIG. 5

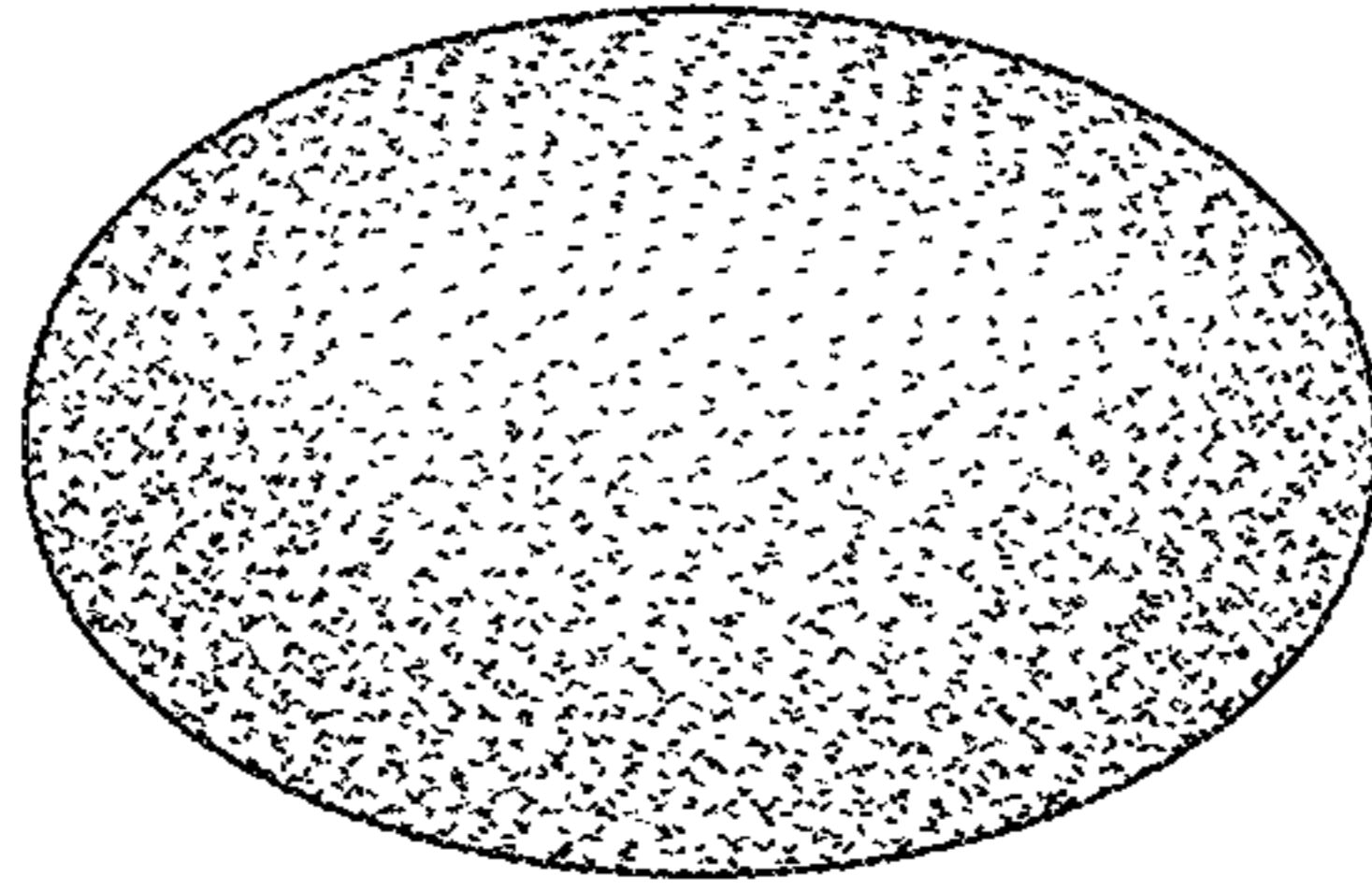


FIG. 6

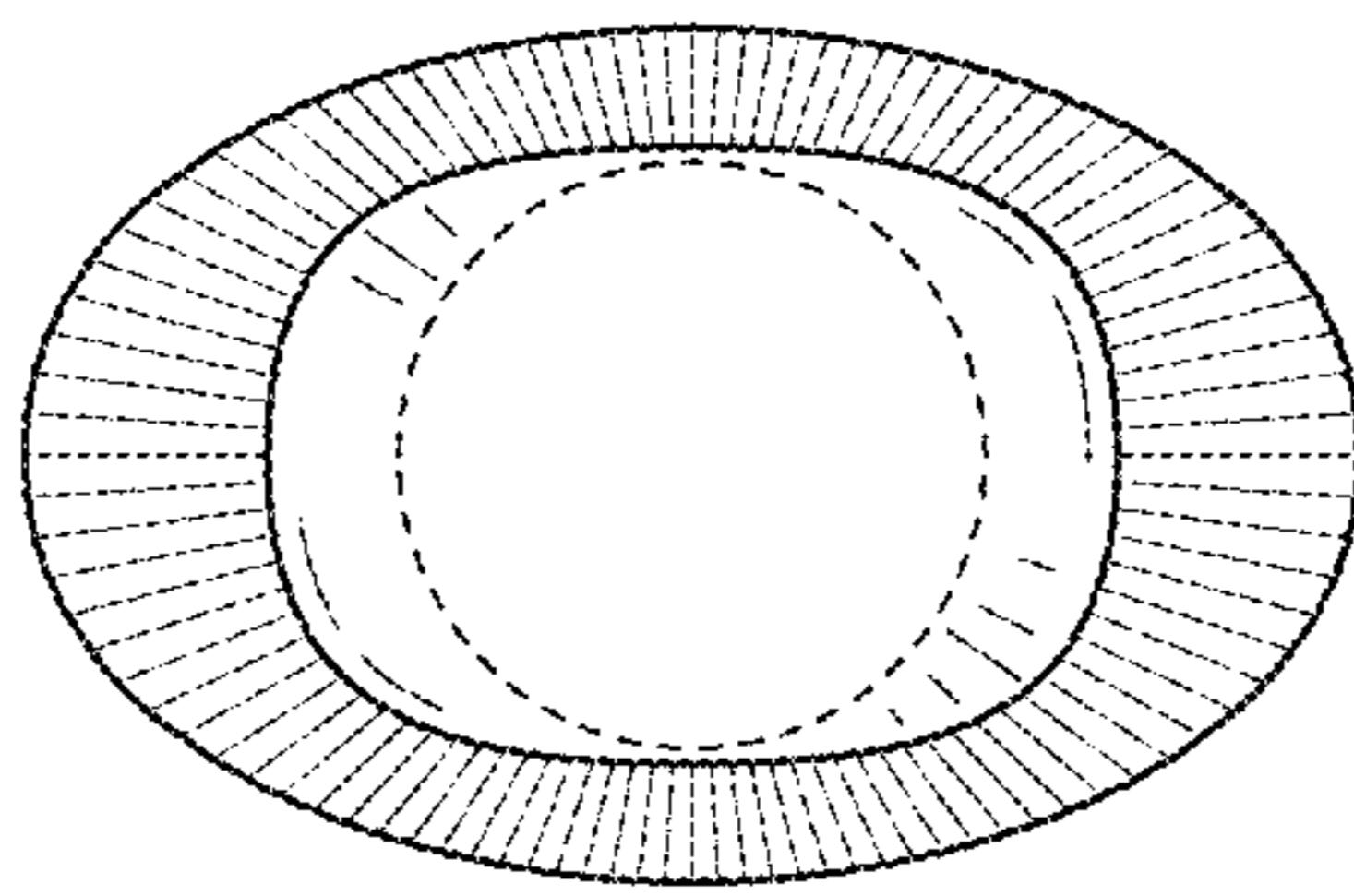


FIG. 7