



US00D778619S

(12) **United States Design Patent**
Jain

(10) **Patent No.:** **US D778,619 S**

(45) **Date of Patent:** **** Feb. 14, 2017**

(54) **COSMETIC BRUSH**

(71) Applicant: **Indeutsch Industries Private Limited,**
Noida (IN)

(72) Inventor: **Samir Jain,** Noida (IN)

(73) Assignee: **INDEUTSCH INDUSTRIES**
PRIVATE LIMITED, Nodia (IN)

(**) Term: **15 Years**

(21) Appl. No.: **29/548,872**

(22) Filed: **Dec. 17, 2015**

(30) **Foreign Application Priority Data**

Dec. 15, 2015 (EM) 002910968

(51) **LOC (10) Cl.** **04-02**

(52) **U.S. Cl.**
USPC **D4/135**

(58) **Field of Classification Search**
USPC D4/121, 127, 135, 138; 15/106, 159.1,
15/160, 176.1, 184, 190-194; 132/289,
132/294, 298, 313, 317, 320; 401/123,
401/141, 175, 281
CPC A46B 7/026; A46B 5/005; A46B 17/04;
A46B 2200/1046
See application file for complete search history.

(56) **References Cited**

U.S. PATENT DOCUMENTS

D435,349 S * 12/2000 Kim D4/135
D439,415 S * 3/2001 Mink D4/121
D450,931 S * 11/2001 Mink D4/135
D454,001 S * 3/2002 Mink D4/127
D559,548 S * 1/2008 Dovellos D4/135
D571,559 S * 6/2008 Riaz D4/135

D591,512 S * 5/2009 Mongeon D28/7
D625,522 S * 10/2010 Riaz D4/135
D630,437 S * 1/2011 Carey D4/116
D713,646 S * 9/2014 Mink D4/135
D714,558 S * 10/2014 Mink D4/135
D757,447 S * 5/2016 White D4/135
2002/0083953 A1 * 7/2002 Dorf A46B 3/10
132/200
2013/0199556 A1 * 8/2013 Lim A46B 15/0055
132/148

* cited by examiner

Primary Examiner — Austin Murphy

(74) *Attorney, Agent, or Firm* — Katten Muchin
Rosenman LLP

(57) **CLAIM**

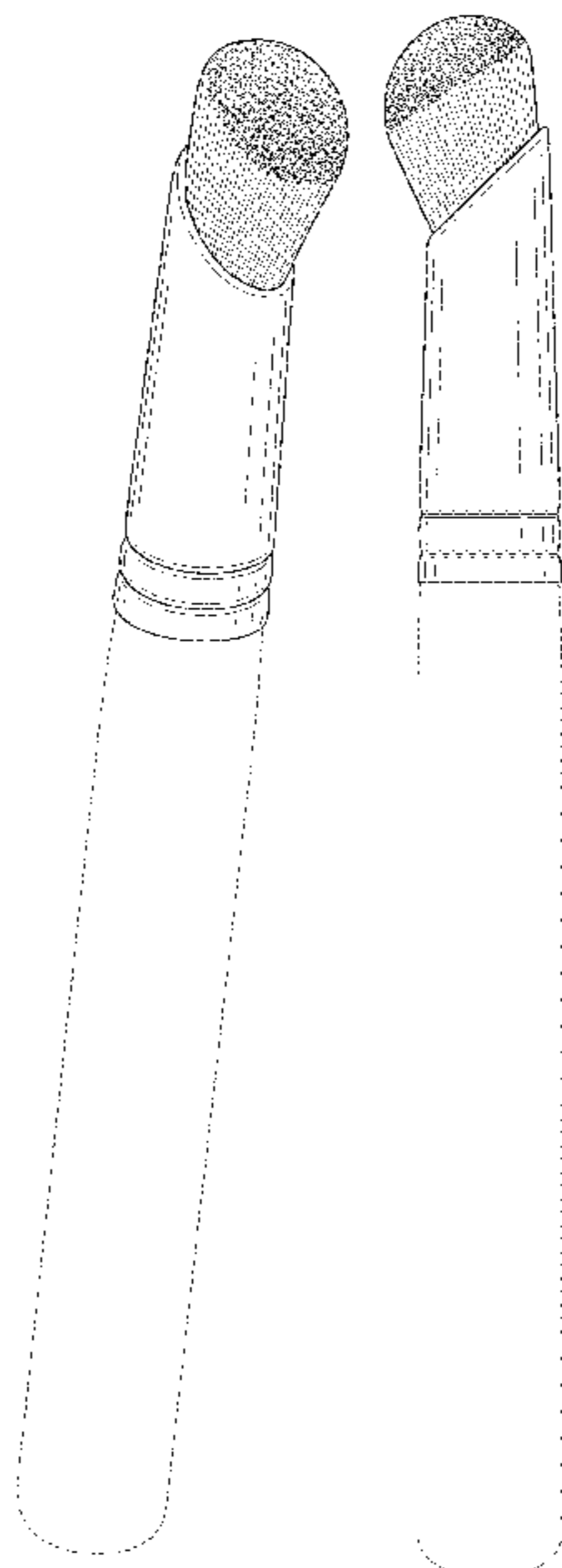
The ornamental design for the cosmetic brush, as shown and described.

DESCRIPTION

FIG. 1 is a front perspective view of a cosmetic brush of the present invention;
FIG. 2 is a frontal view of the cosmetic brush of the present invention;
FIG. 3 is a rear view of the cosmetic brush of the present invention;
FIG. 4 is a first side view of the cosmetic brush of the present invention;
FIG. 5 is a second side view of the cosmetic brush of the present invention;
FIG. 6 is a top view of the cosmetic brush of the present invention; and,
FIG. 7 is a bottom view of the cosmetic brush of the present invention.

The broken lines in the drawings represent unclaimed subject matter and form no part of the claim.

1 Claim, 4 Drawing Sheets



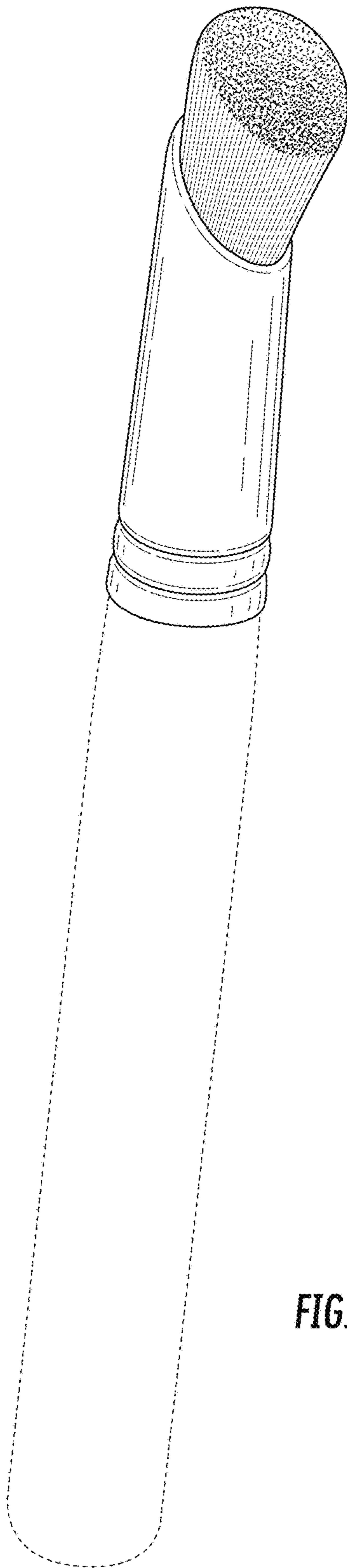


FIG. 1

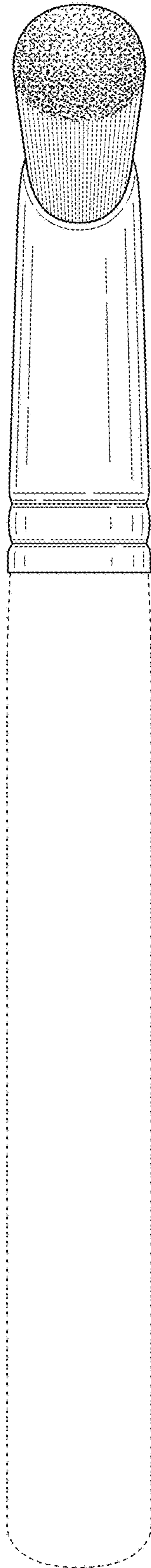


FIG. 2

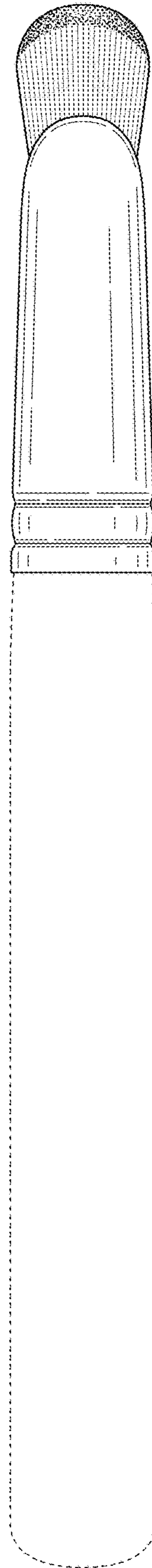


FIG. 3

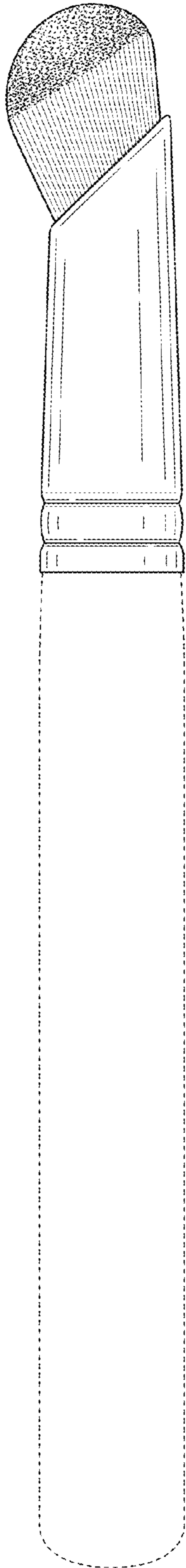


FIG. 4

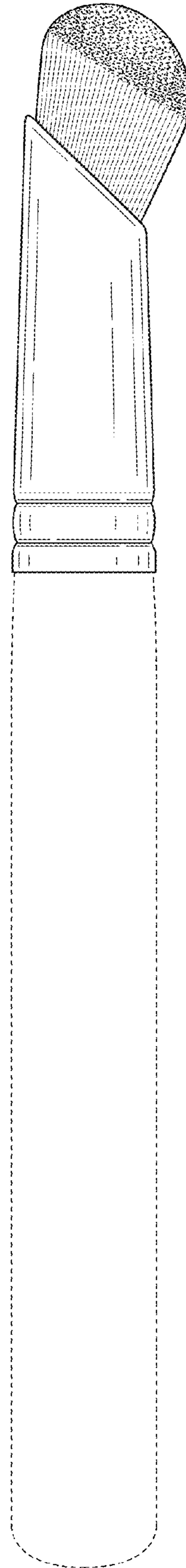


FIG. 5

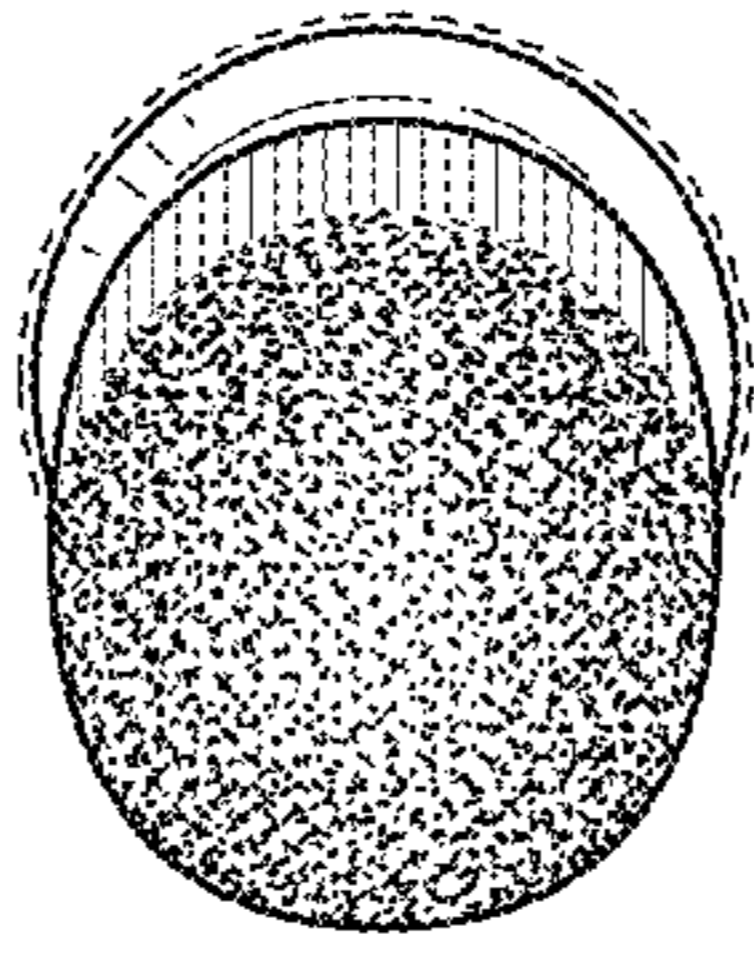


FIG. 6

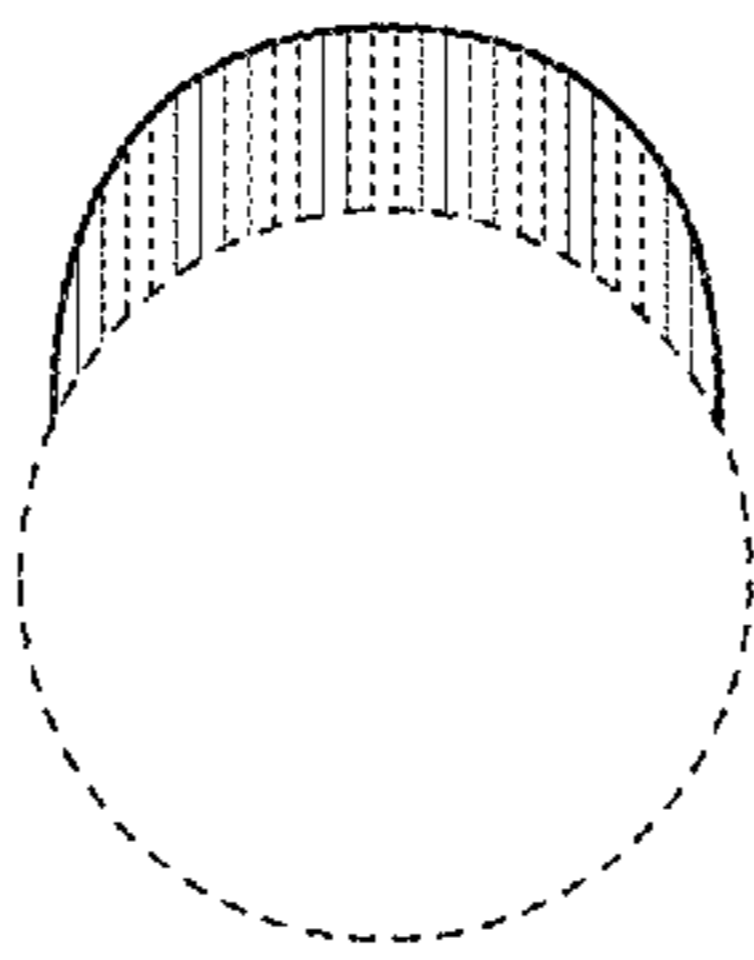


FIG. 7