



US00D778615S

(12) **United States Design Patent** (10) **Patent No.:** **US D778,615 S**  
**Georges** (45) **Date of Patent:** **\*\* Feb. 14, 2017**

(54) **STRAP FOR A BAG**  
(71) Applicant: **Jack Georges**, Passaic, NJ (US)  
(72) Inventor: **Jack Georges**, Passaic, NJ (US)  
(\*\*) Term: **15 Years**

4,560,097 A \* 12/1985 Reynolds ..... A41D 13/0007  
224/160  
5,577,652 A \* 11/1996 Cooper ..... A45F 3/04  
224/153  
5,803,331 A \* 9/1998 Thorne ..... A45F 3/042  
224/160  
D413,724 S \* 9/1999 Freedman ..... D3/243  
(Continued)

(21) Appl. No.: **29/530,712**  
(22) Filed: **Jun. 18, 2015**  
(51) **LOC (10) Cl.** ..... **03-01**  
(52) **U.S. Cl.**  
USPC ..... **D3/327; D3/216**  
(58) **Field of Classification Search**  
USPC ..... D2/703, 707-708, 714, 723, 762, 767,  
D2/787, 792-793, 813, 835, 838, 843,  
626, D2/639, 640; D3/10-12, 214-216,  
D3/226, 231-232, 243, 246, 251, 268,  
D3/276, 287, 29, 324, 327-328, 271.1;  
D9/702, 704, 706  
CPC ..... A45C 1/10; A45C 1/102; A45C 3/00;  
A45C 3/02; A45C 3/04; A45C  
3/06; A45C 3/08; A45C 3/10; A45C 5/02;  
A45C 9/00; A45C 13/08; A45C 13/12;  
A45C 13/30; A45C 15/00; A45C  
2003/005; A45C 2003/007-2003/008  
See application file for complete search history.

**OTHER PUBLICATIONS**

Large Nylon Flap Top Backpack, posted at NeimanMarcus.com, posting date not posted, [site visited Jun. 9, 2016]. Available from internet: <[http://www.neimanmarcus.com/Prada-Large-Nylon-Flap-Top-Backpack-Blue-Baltico/prod181650151/p.prod?ecid=NMAF\\_p\\*E2XVDQFnl&CS\\_003=5630585](http://www.neimanmarcus.com/Prada-Large-Nylon-Flap-Top-Backpack-Blue-Baltico/prod181650151/p.prod?ecid=NMAF_p*E2XVDQFnl&CS_003=5630585)>.\*  
(Continued)

*Primary Examiner* — Susan E Krakower  
*Assistant Examiner* — Lisa A Grabenstetter  
(74) *Attorney, Agent, or Firm* — Michael J. Feigin, Esq.; Feigin and Fridman

(57) **CLAIM**

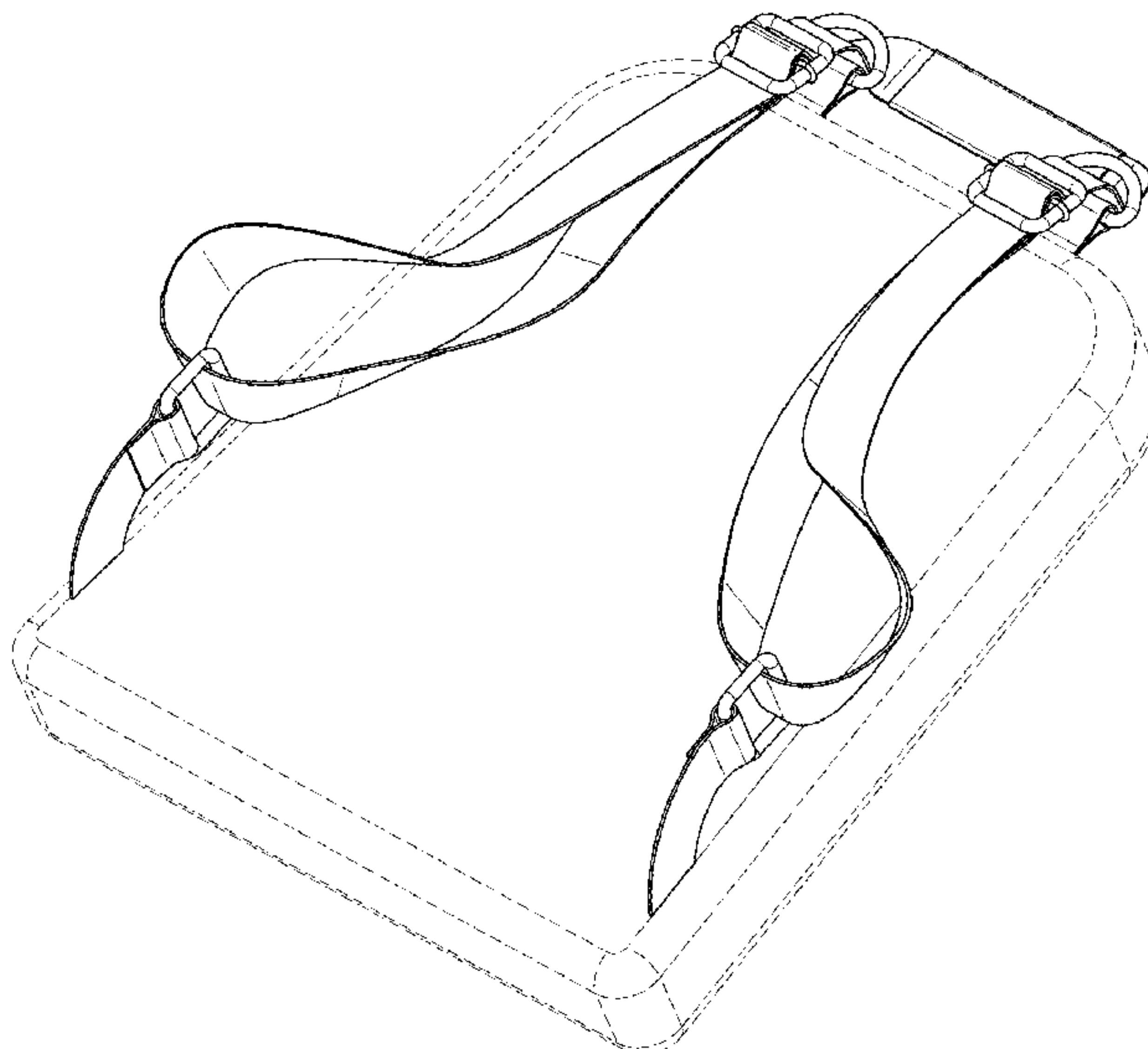
The ornamental design for a strap for a bag, as shown and described.

**DESCRIPTION**

FIG. 1 shows a perspective view of a strap for a bag, showing my new design.  
FIG. 2 shows a another perspective view thereof.  
FIG. 3 shows a third perspective view thereof.  
FIG. 4 shows an elevation view thereof.  
FIG. 5 shows another elevation view thereof.  
FIG. 6 shows a third elevation view thereof.  
FIG. 7 shows a top perspective view thereof; and,  
FIG. 8 shows a bottom perspective view thereof.  
The broken lines shown in the drawings depict environmental structure that forms no part of the claimed design.

(56) **References Cited**  
U.S. PATENT DOCUMENTS  
995,458 A \* 6/1911 Harriman ..... A45F 3/06  
224/645  
3,559,932 A \* 2/1971 Ternes ..... B64D 17/30  
244/151 R  
4,273,274 A \* 6/1981 Freistadt ..... A45F 3/04  
150/108  
4,327,852 A \* 5/1982 Gibson ..... A45F 3/14  
224/627  
4,462,525 A \* 7/1984 Pingleton ..... A45F 3/08  
224/634

**1 Claim, 7 Drawing Sheets**



(56)

References Cited

U.S. PATENT DOCUMENTS

6,035,440 A \* 3/2000 Woodyard ..... A41D 13/0007  
182/3  
D430,970 S \* 9/2000 Hoehn ..... D3/215  
6,988,644 B1 \* 1/2006 Asherbranner ..... A47D 13/025  
224/160  
D595,930 S \* 7/2009 Perry ..... D2/626  
7,709,714 B2 \* 5/2010 Harbaugh ..... G10G 5/005  
224/264  
D617,561 S \* 6/2010 Salerno-Tortora ..... D3/318  
8,016,173 B2 \* 9/2011 Dvorak ..... A45F 3/04  
224/580  
8,839,977 B2 \* 9/2014 Yang ..... A45F 5/00  
215/306  
D714,540 S \* 10/2014 Barlet ..... D3/215  
D734,742 S \* 7/2015 Fujioka ..... D14/217  
9,295,318 B2 \* 3/2016 Fischer ..... A45C 13/10  
2004/0020958 A1 \* 2/2004 Lin ..... A45F 3/04  
224/644  
2006/0169534 A1 \* 8/2006 Green ..... A01M 31/02  
182/7  
2009/0084245 A1 \* 4/2009 Harbaugh ..... G10G 5/005  
84/327  
2014/0353347 A1 \* 12/2014 Fischer ..... A45C 13/10  
224/148.4

OTHER PUBLICATIONS

Baggu Backpack Purse, posted at BackCountry.com, posted May 1, 2016, [site visited Jun. 9, 2016]. Available from internet: <[http://www.backcountry.com/baggu-backpack-purse?CMP\\_SKU=BGU000U&MER=0406&CMP\\_ID=SH\\_PLYVR&utm\\_source=Polyvore&utm\\_medium=CSE&mr:referralID=fa13fe41-2f0c-11e6-a988-005056946dac](http://www.backcountry.com/baggu-backpack-purse?CMP_SKU=BGU000U&MER=0406&CMP_ID=SH_PLYVR&utm_source=Polyvore&utm_medium=CSE&mr:referralID=fa13fe41-2f0c-11e6-a988-005056946dac)>.\*  
Women Backpack Vintage, posted at AliExpress.com, posting date not posted, © 2010-2015 AliExpress.com, [site visited Jun. 9, 2016]. Available from internet:< <http://www.aliexpress.com/item/Women-Backpack-Vintage-Backpacks-Purse-School-Bags-Students-Backpack-High-quality-PU-Leather-Casual-Bags-Sport/32495484539.html?spm=2114.40010308.4.67.jk3jP1>>.\*  
Vintage Casual Rivet, posted at AliExpress.com, posted Apr. 15, 2016, © 2010-2015 AliExpress.com, [site visited Jun. 9, 2016]. Available from internet: <<http://www.aliexpress.com/item/vintage-casual-rivet-small-PU-leather-travel-bags-high-quality-new-kids-fashion-women-candy-clutch/32368951627.html?spm=2114.10010108.1000015.8.ZXz533&s=p>>.\*

\* cited by examiner

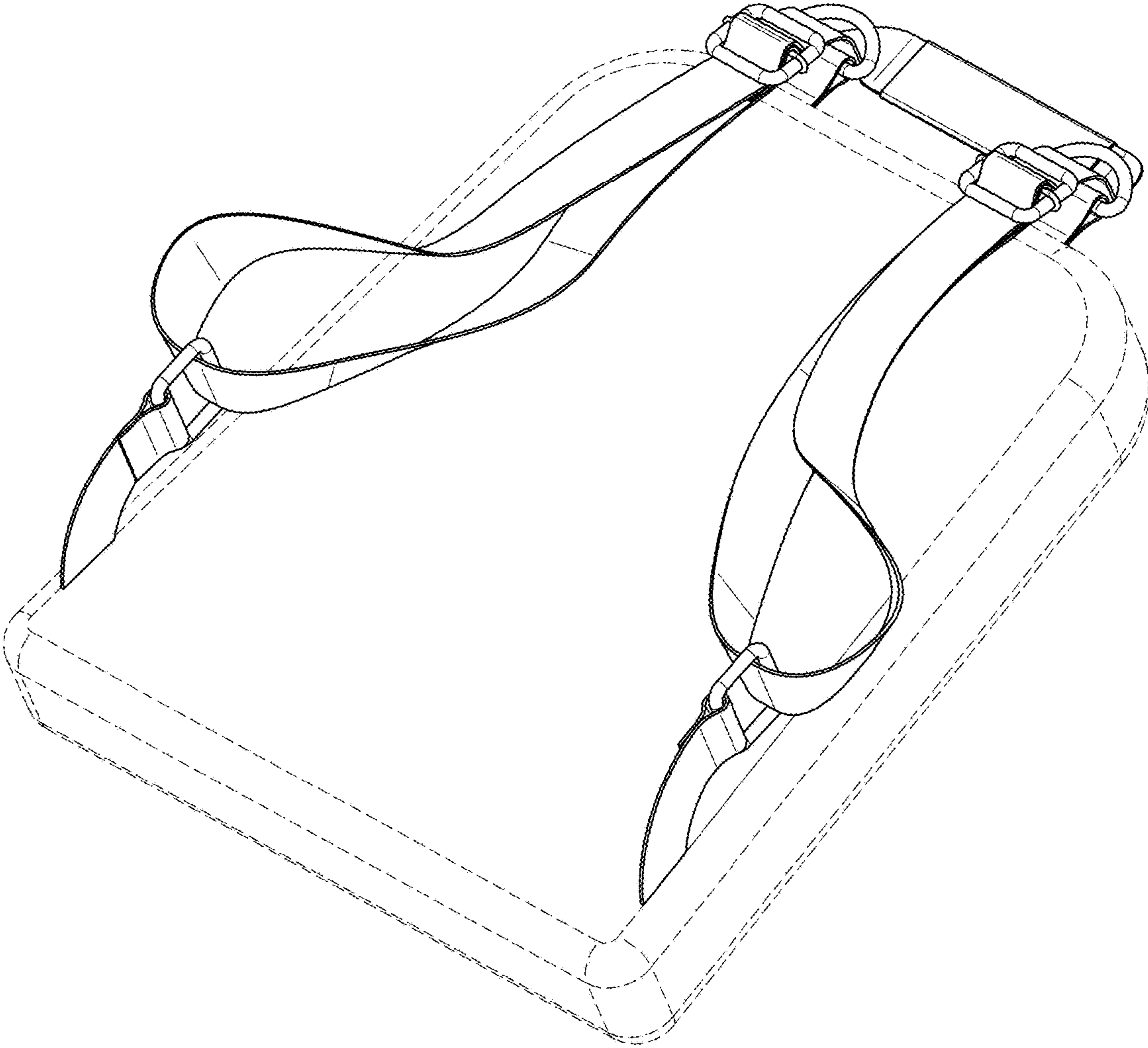


FIG. 1

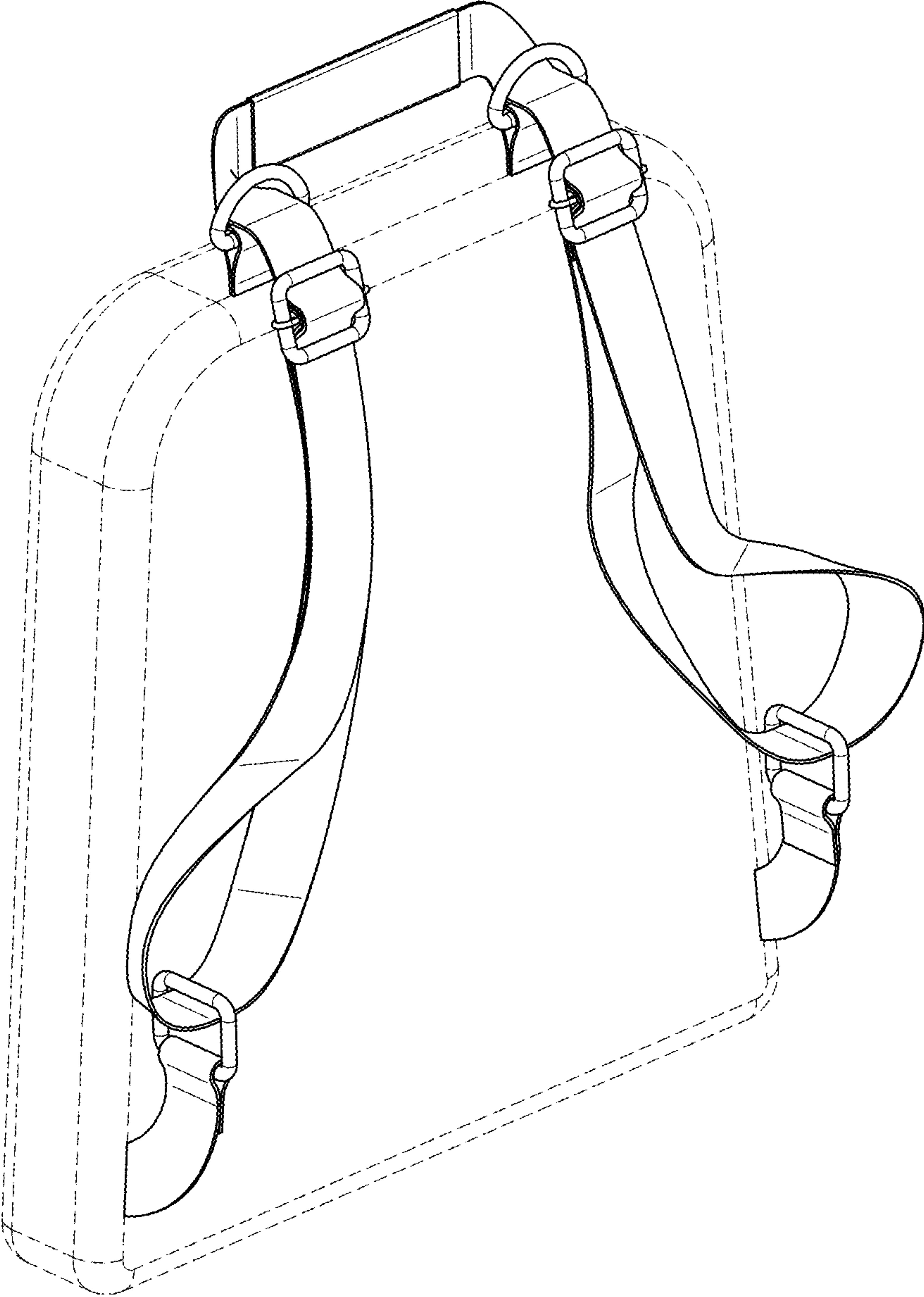


FIG. 2



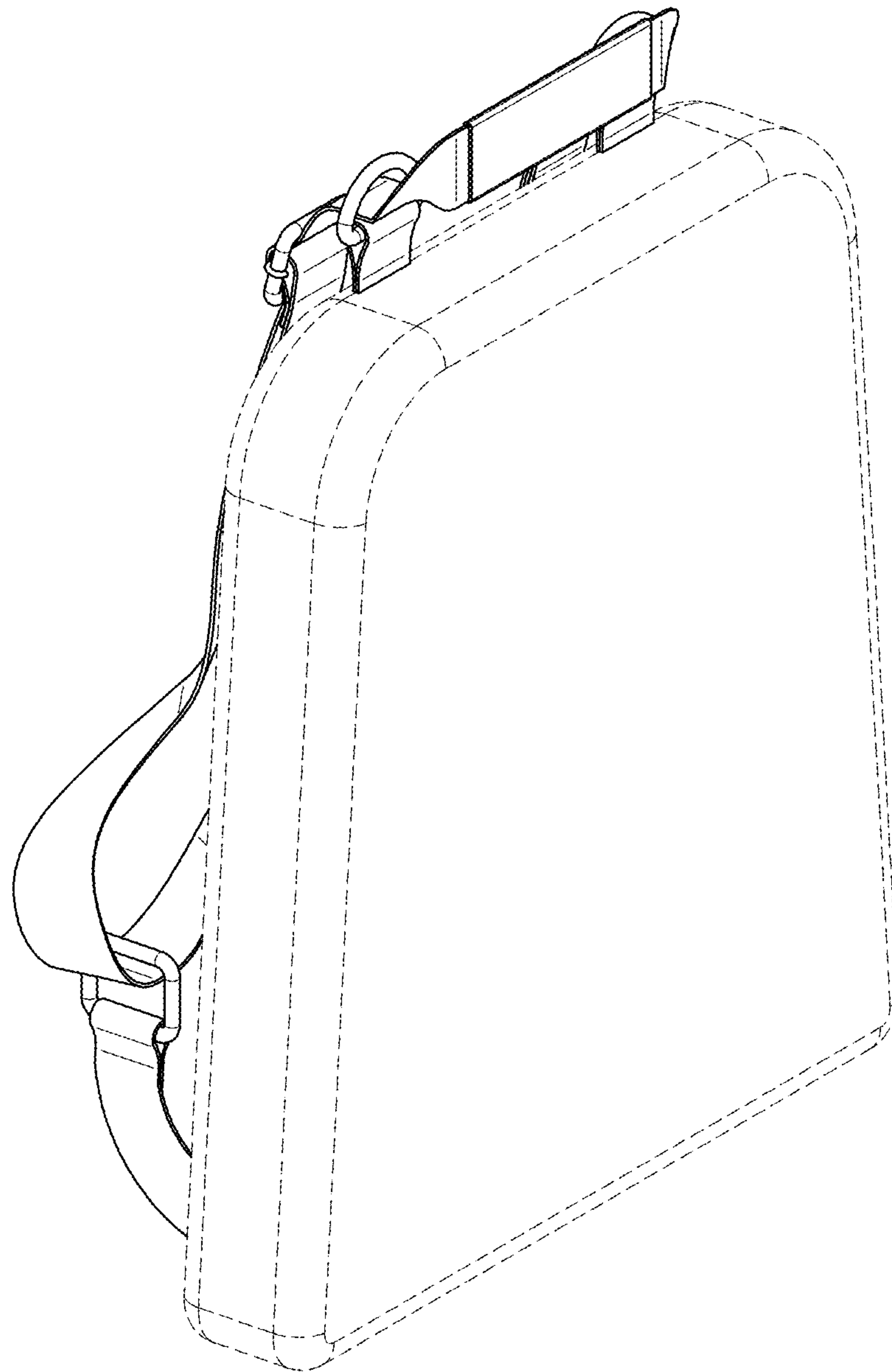


FIG. 3

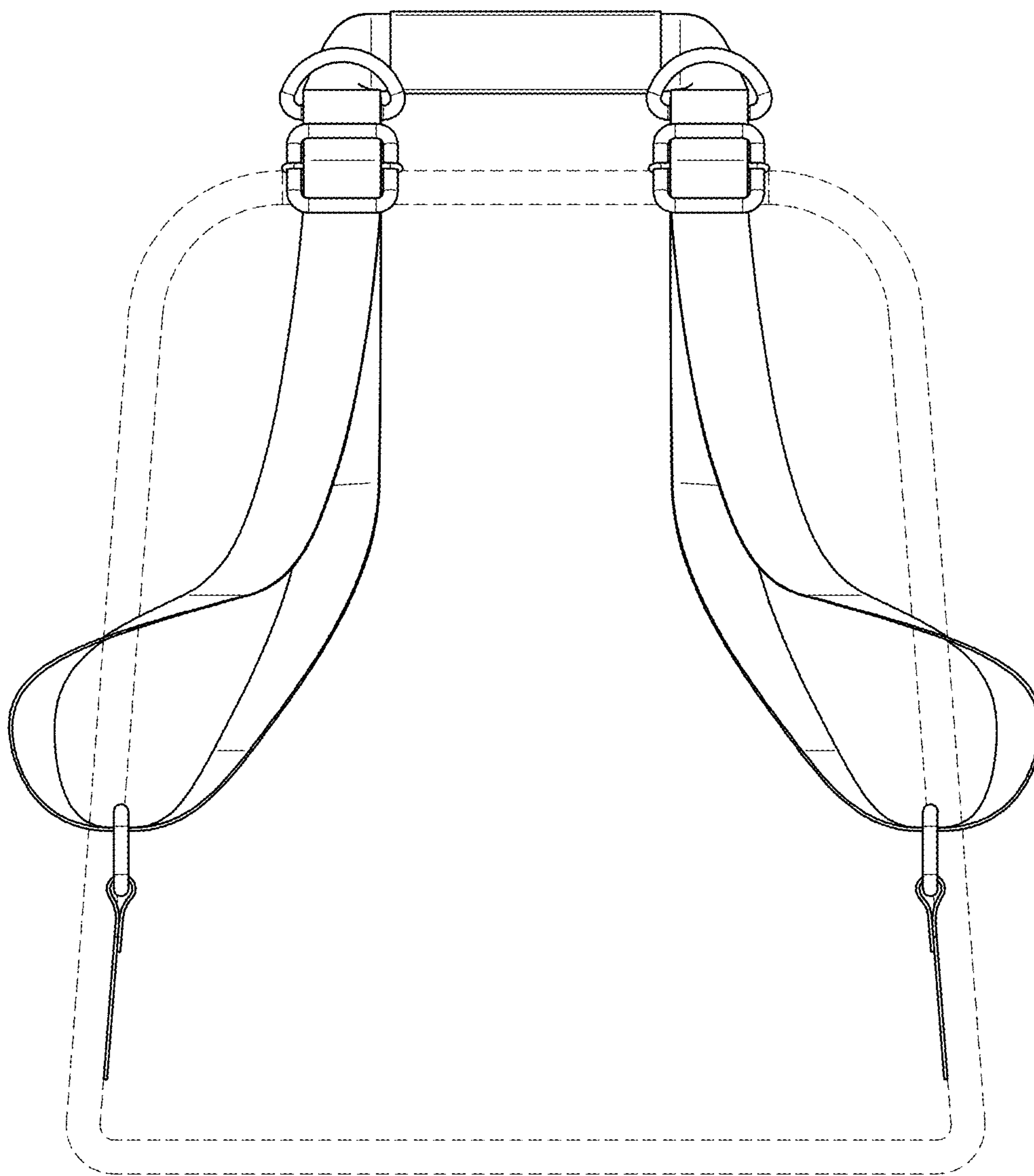


FIG. 4

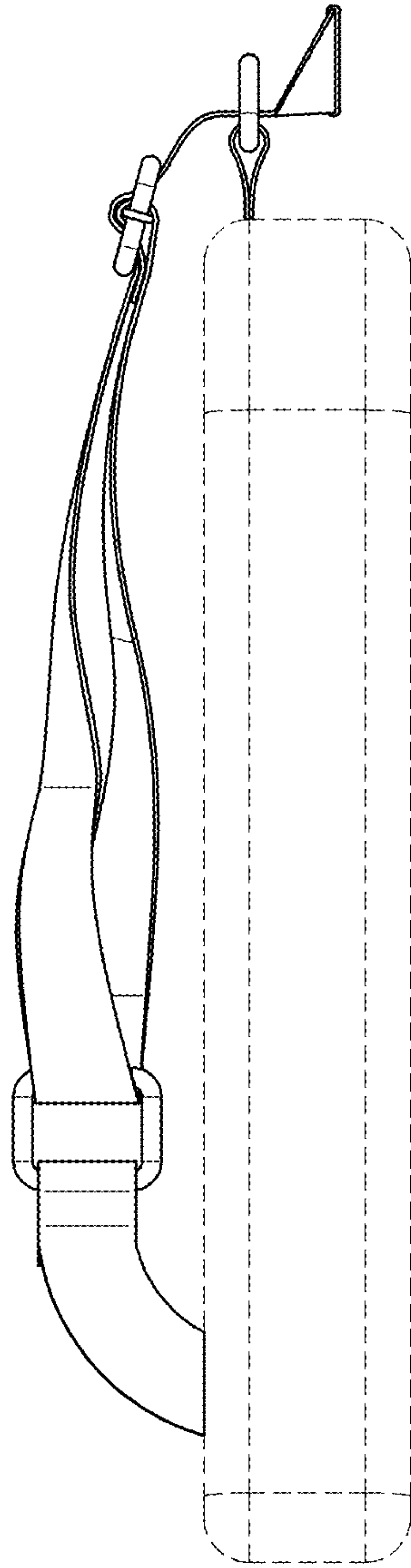


FIG. 5

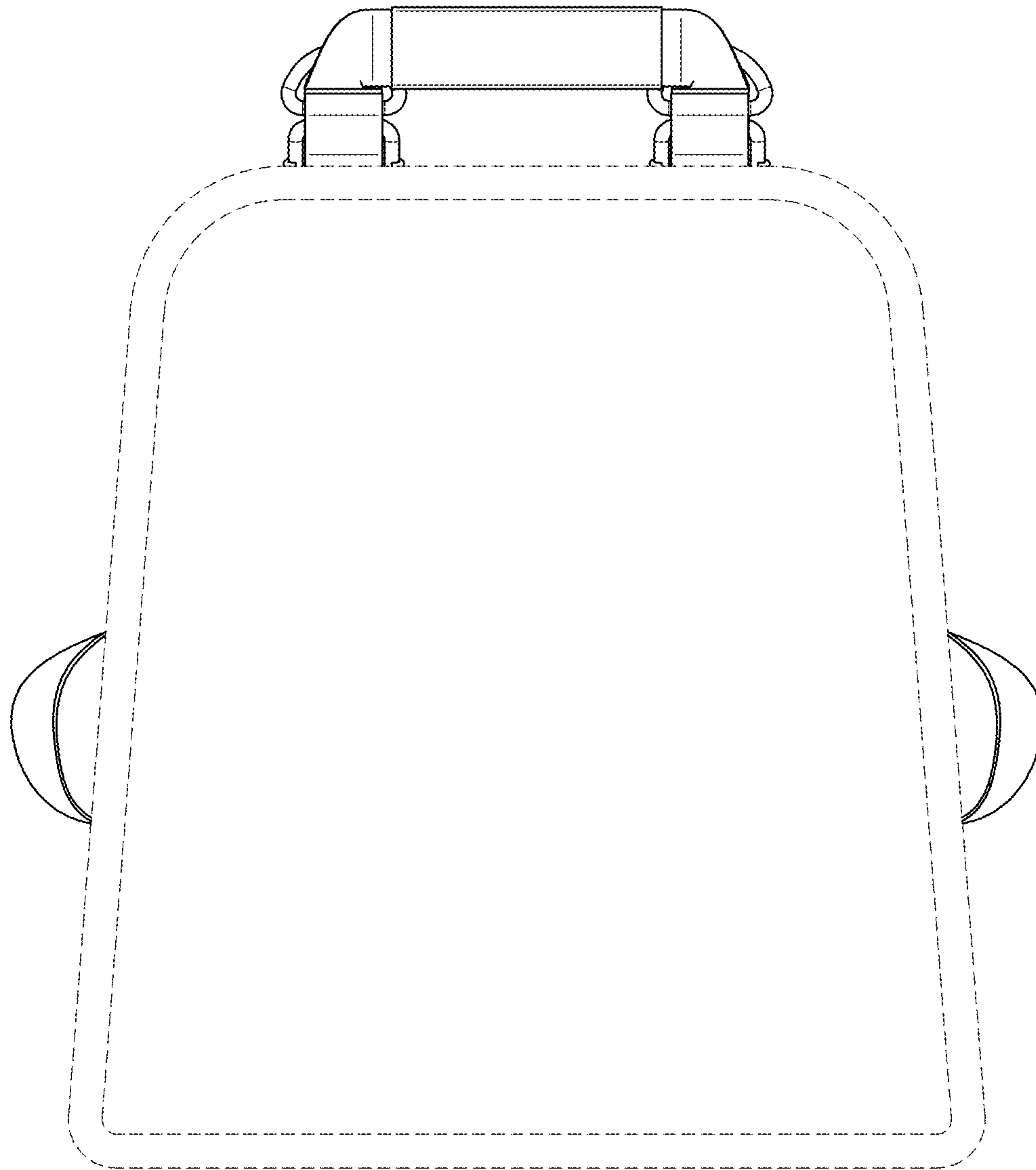


FIG. 6



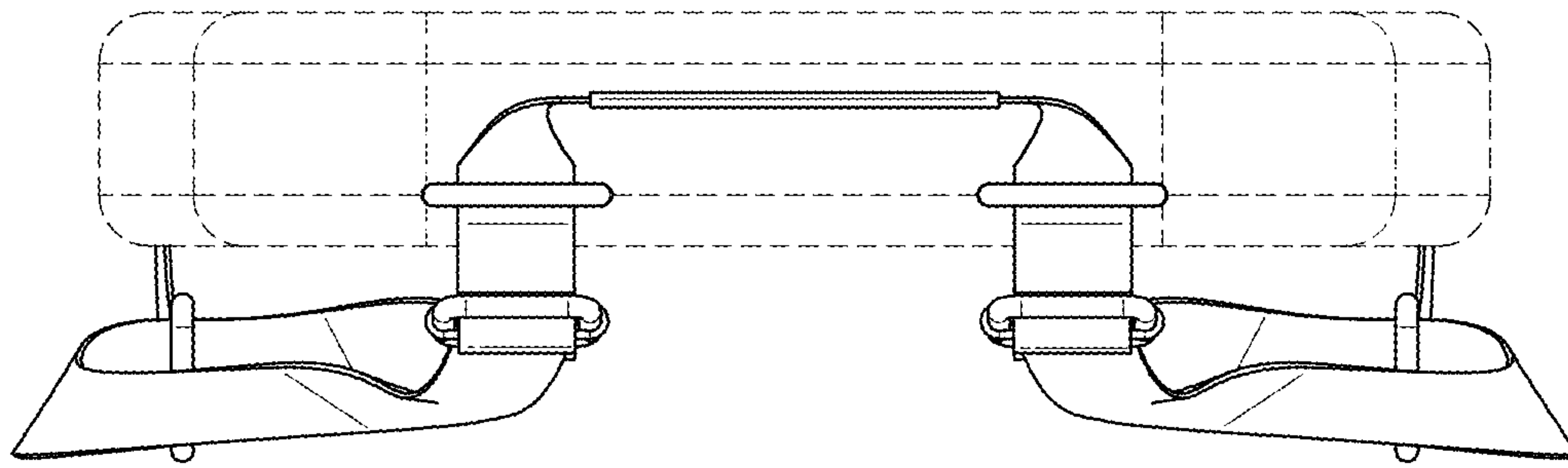


FIG. 7

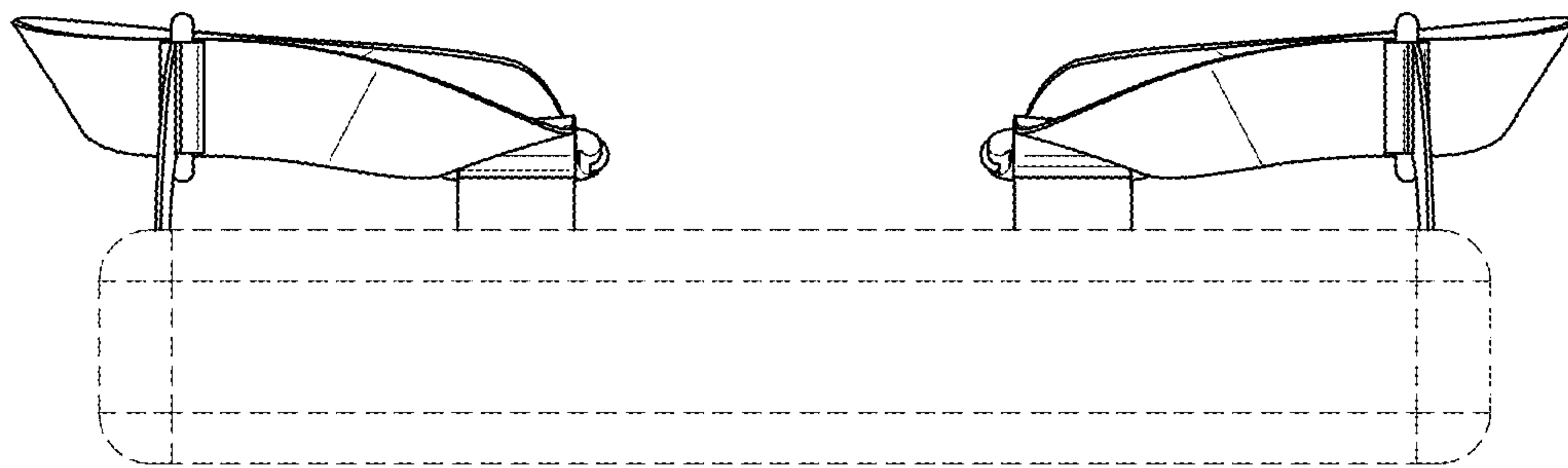


FIG. 8