



US00D778610S

(12) **United States Design Patent** (10) **Patent No.:** **US D778,610 S**
Chen (45) **Date of Patent:** **** Feb. 14, 2017**

(54) **TOOL BOX**
(71) Applicant: **Ningbo Huntman Outdoor Products Co., Ltd.**, Ningbo, Zhejiang (CN)
(72) Inventor: **Ping Chen**, Ningbo (CN)
(73) Assignee: **NINGBO HUNTMAN OUTDOOR PRODUCTS CO., LTD.**, Ningbo (CN)

D468,531 S *	1/2003	Hsu	D3/282
D475,853 S *	6/2003	Chen	D3/294
D483,180 S *	12/2003	Chen	D3/282
D668,868 S *	10/2012	Lehovetzki	D3/281
D675,434 S *	2/2013	Vernall	D3/294
D702,438 S *	4/2014	Chen	D3/294
D715,051 S *	10/2014	Tung	D3/294
D715,548 S *	10/2014	Chang	D3/294
D718,049 S *	11/2014	Hsu	D3/273
D727,024 S *	4/2015	Robinson	D3/282

(**) Term: **15 Years**
(21) Appl. No.: **29/529,856**

* cited by examiner

Primary Examiner — Jennifer Rivard
Assistant Examiner — April Rivas

(22) Filed: **Jun. 11, 2015**

(57) **CLAIM**

(30) **Foreign Application Priority Data**

The ornamental design for a tool box, as shown and described.

Dec. 16, 2014 (CN) 2014 3 0530517

DESCRIPTION

(51) **LOC (10) Cl.** **03-01**

(52) **U.S. Cl.**
USPC **D3/302; D3/905**

(58) **Field of Classification Search**
USPC D3/265, 266, 903, 273, 282, 283, 284,
D3/293, 294, 295, 302, 901, 905
CPC A45C 11/00; A45C 11/12; A45C 11/10;
A45C 11/04; B25H 3/003; B25H
3/02; A45H 3/06
See application file for complete search history.

FIG. 1 is a front elevational view of a tool box showing my new design;
FIG. 2 is a rear elevational view thereof;
FIG. 3 is a left side view thereof;
FIG. 4 is a right side view thereof;
FIG. 5 is a top plan view thereof;
FIG. 6 is a bottom plan view thereof;
FIG. 7 is a first perspective view thereof;
FIG. 8 is a second perspective view thereof;
FIG. 9 is a third perspective view thereof;
FIG. 10 is a first exploded view of the individual components forming the tool box; and,
FIG. 11 is a second exploded view of the individual components forming the tool box.

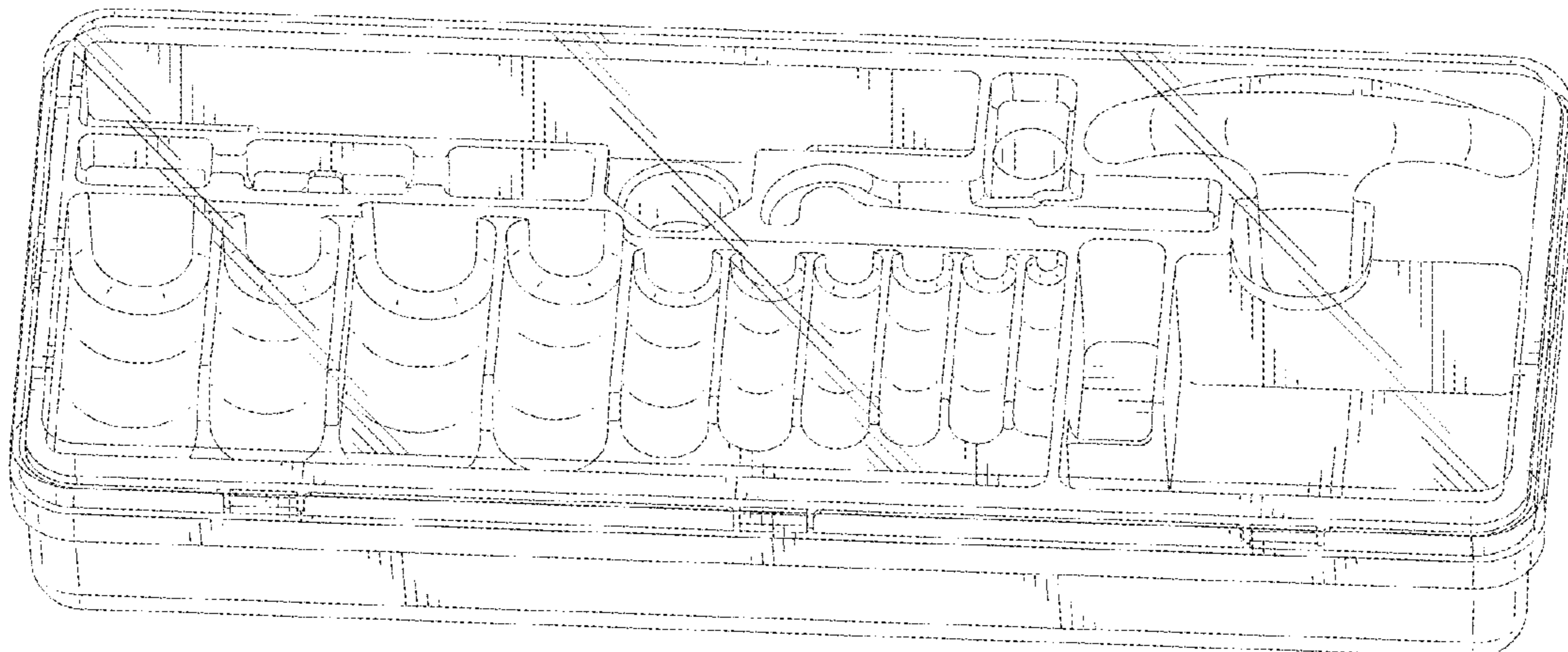
(56) **References Cited**

U.S. PATENT DOCUMENTS

D369,678 S *	5/1996	Hammer	D3/318
D370,781 S *	6/1996	Vasudeva	D3/284
D388,609 S *	1/1998	Chan	D3/273
D394,952 S *	6/1998	Wei	D3/273
D441,192 S *	5/2001	Park	D3/294

The top lid is illustrated with diagonal line shading at indicates transparency.

1 Claim, 10 Drawing Sheets



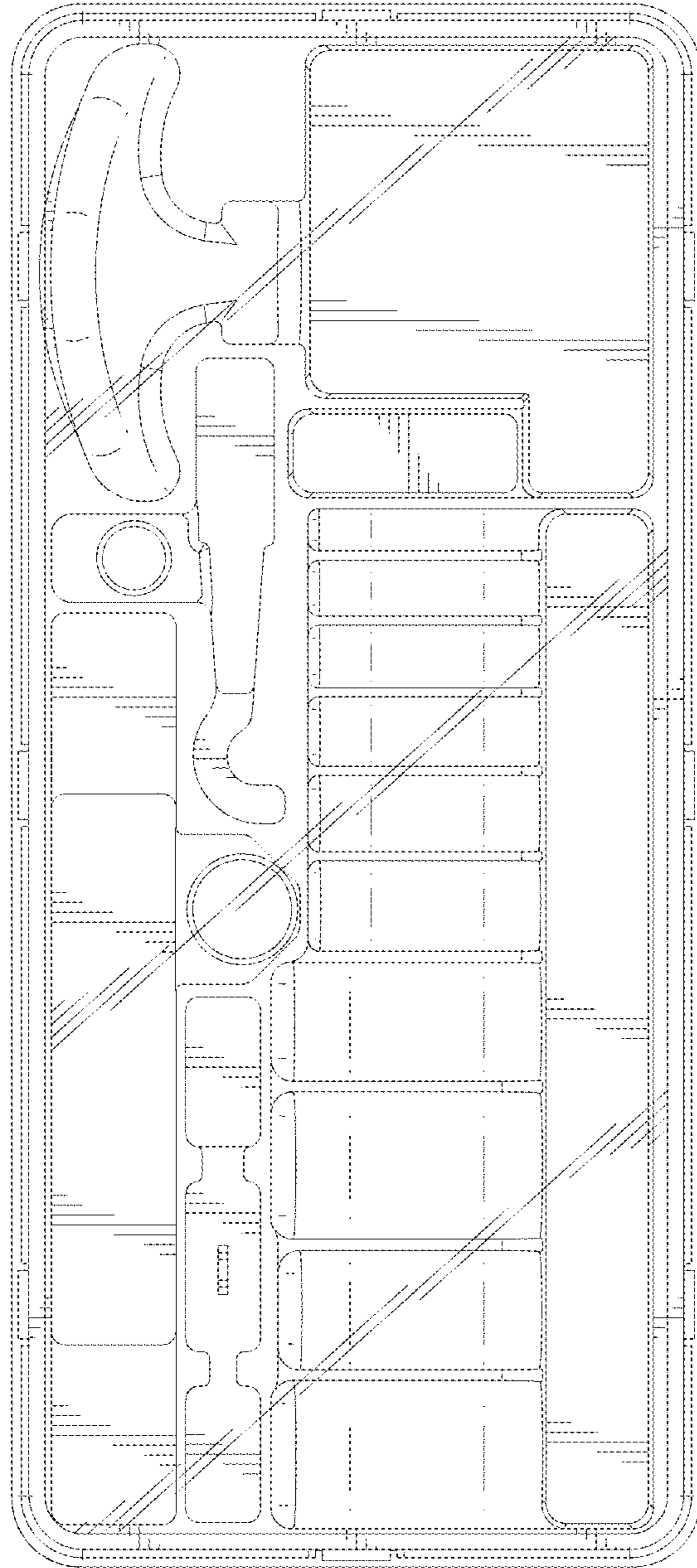


FIG.1

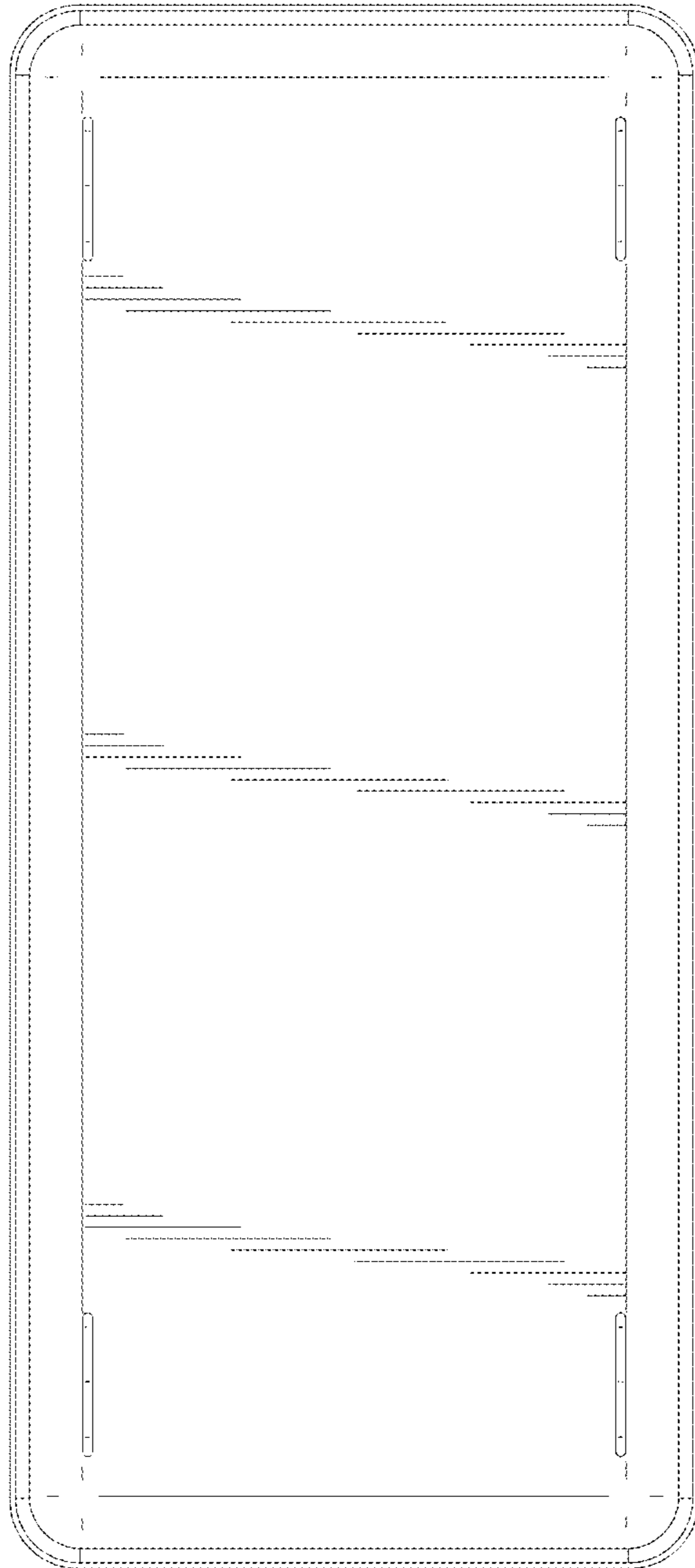


FIG.2

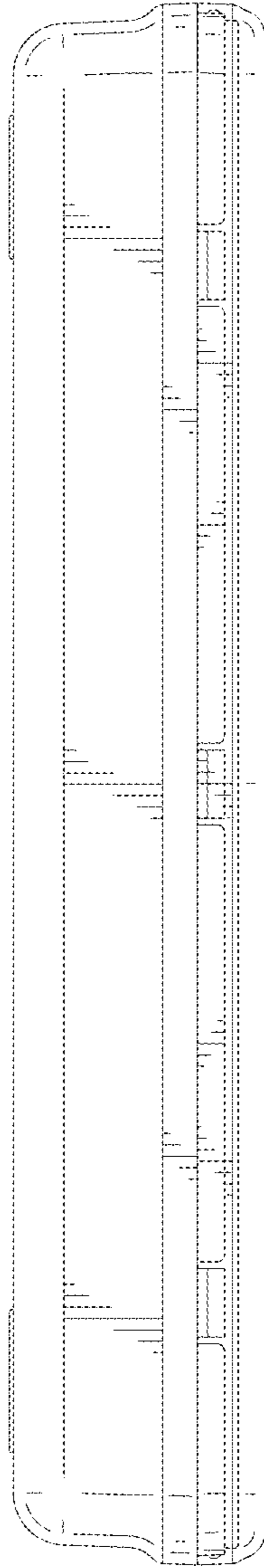


FIG.3

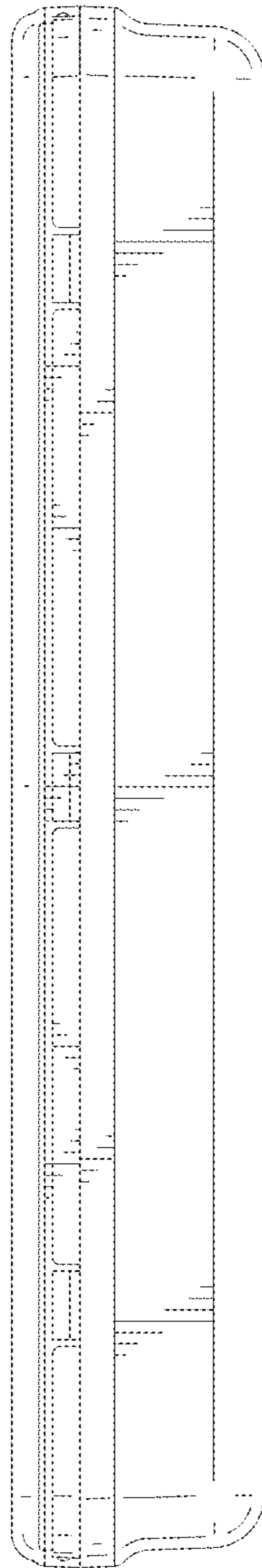


FIG.4

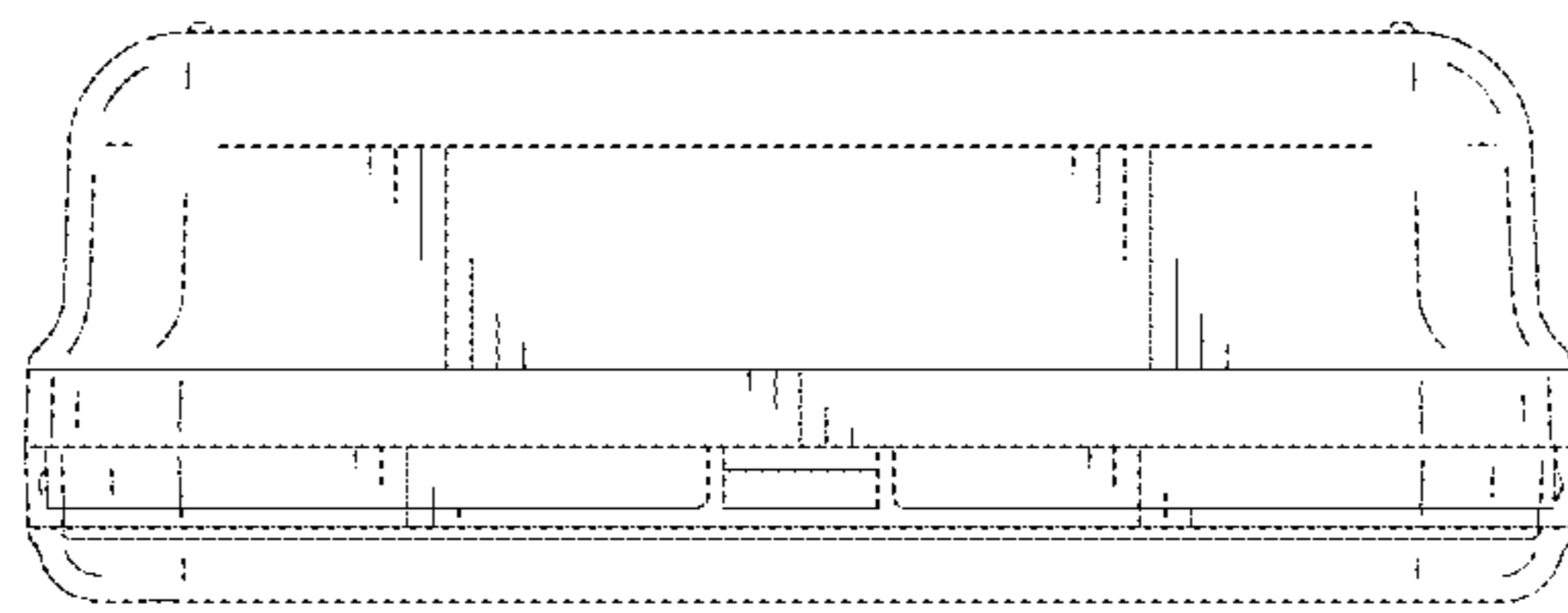


FIG.5

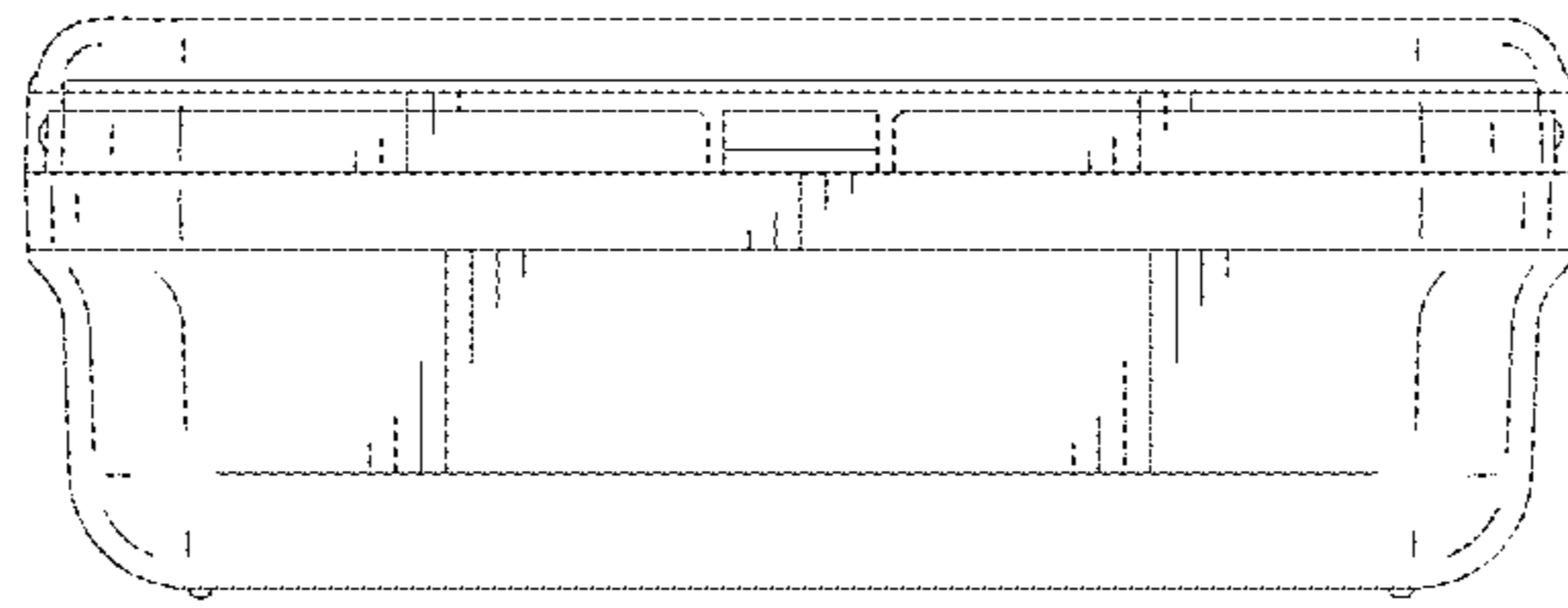


FIG.6

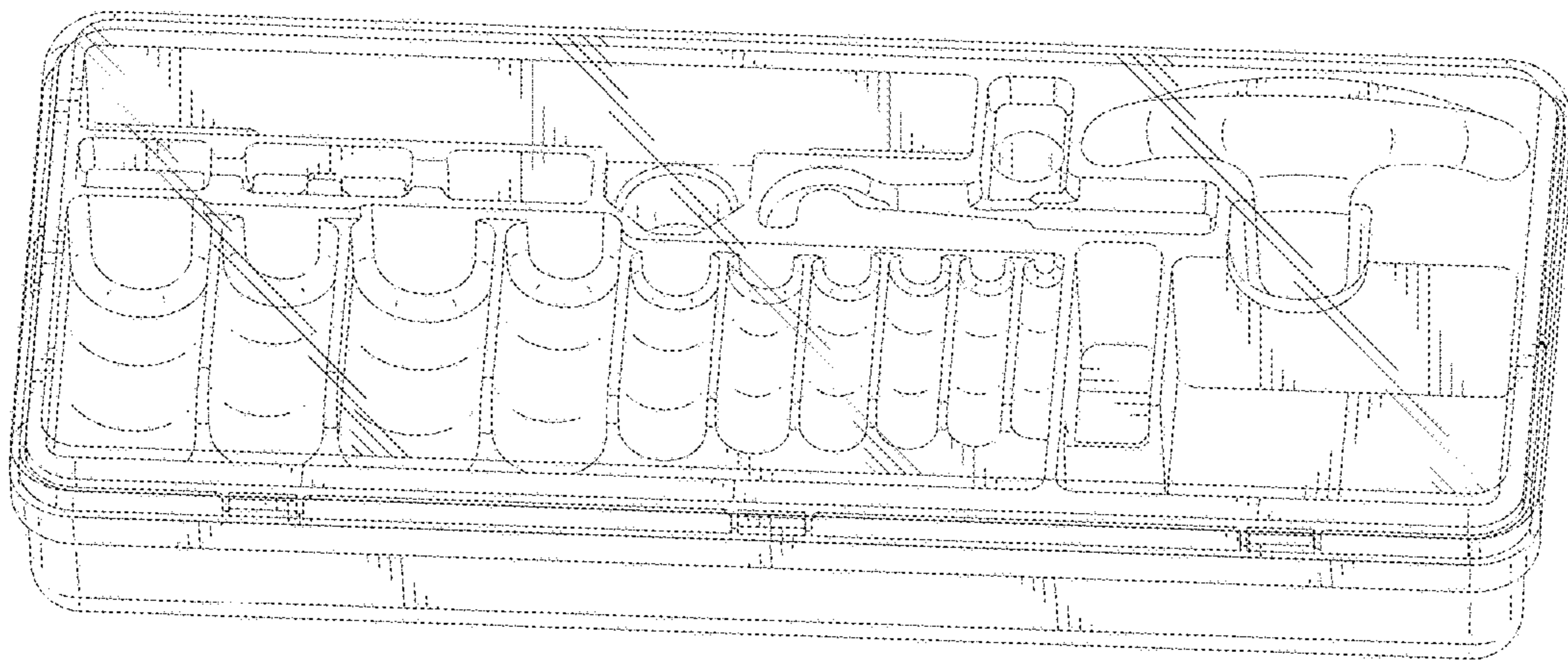


FIG.7

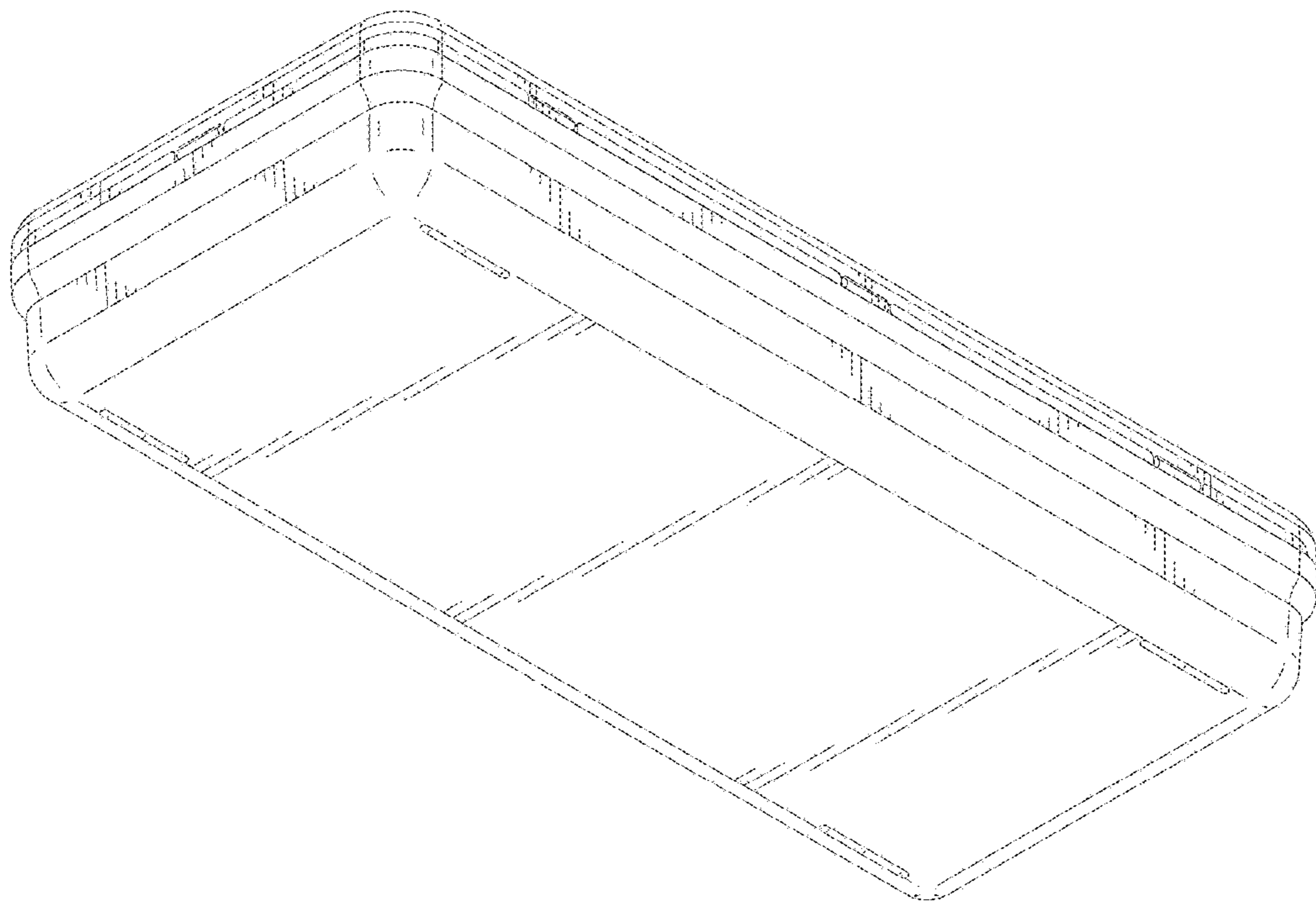


FIG.8

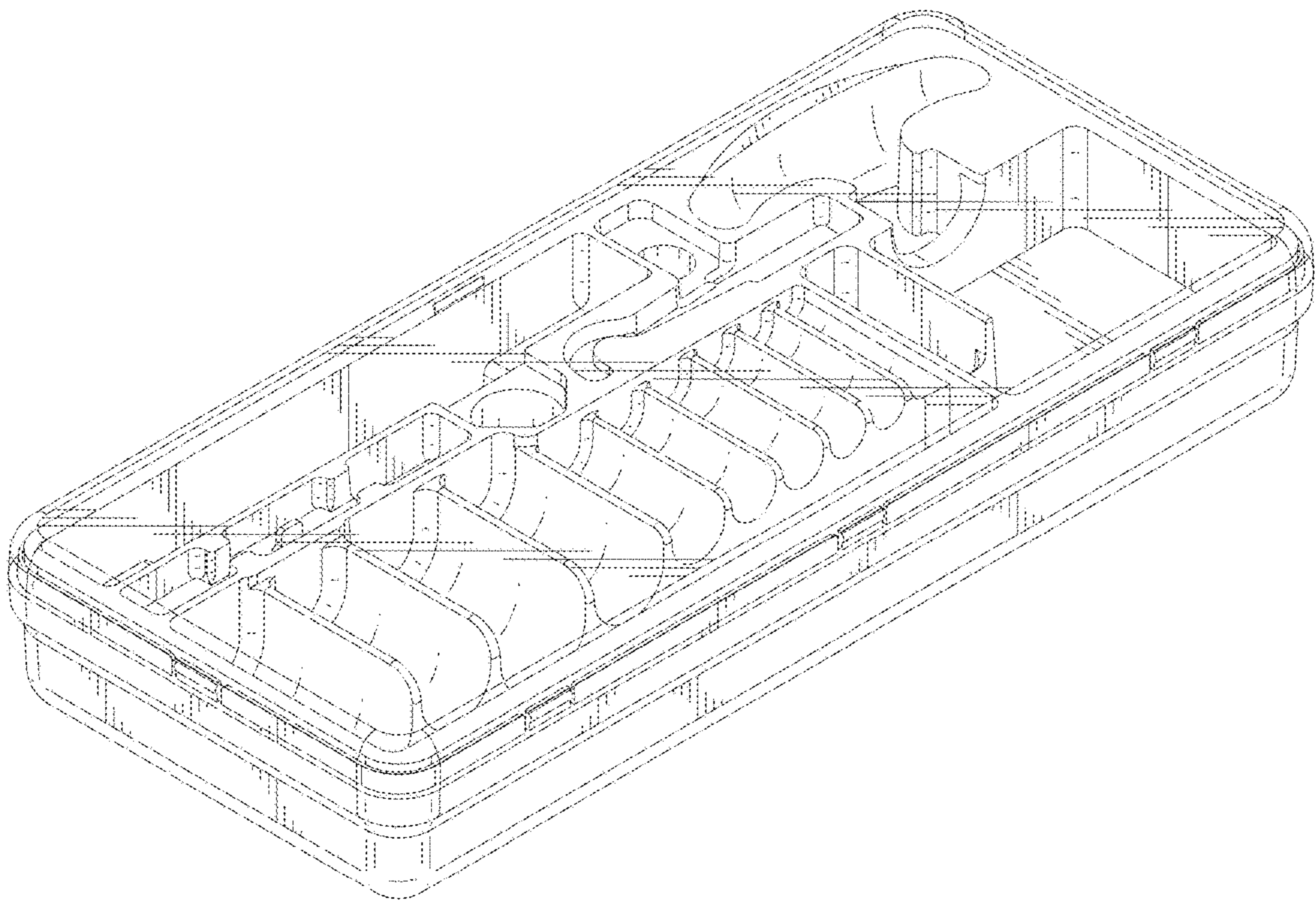


FIG.9

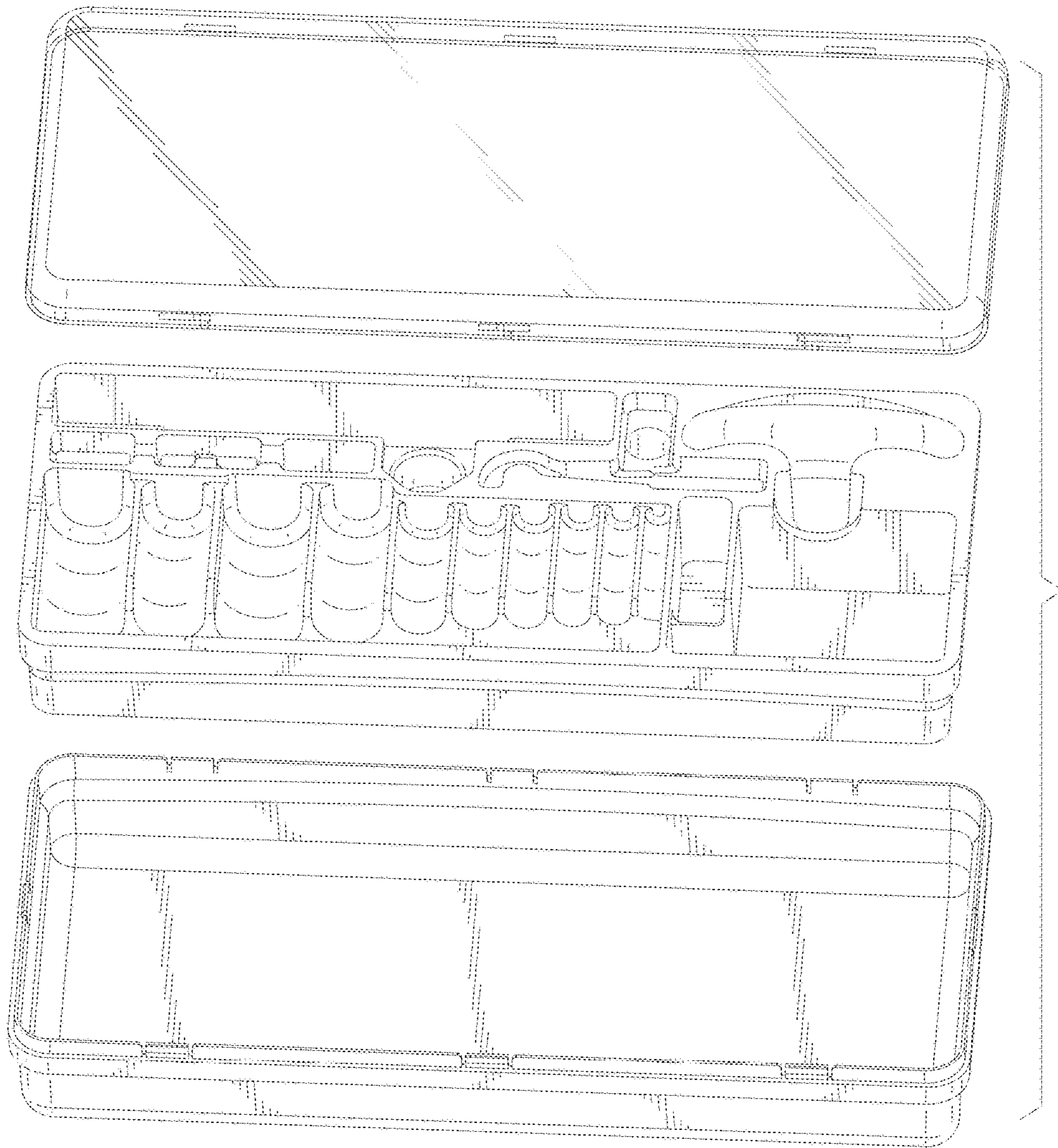


FIG.10

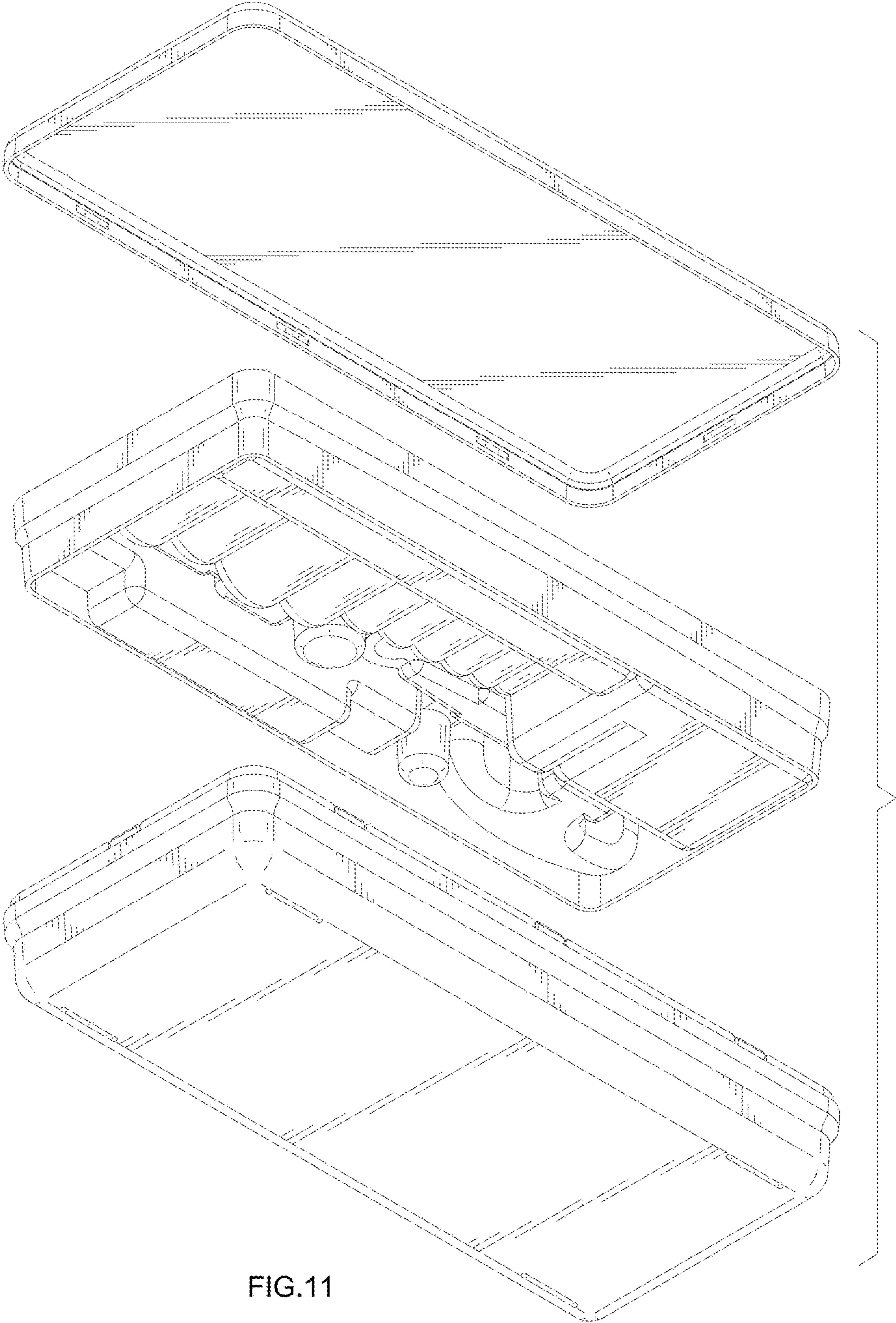


FIG.11