



US00D778608S

(12) **United States Design Patent** (10) **Patent No.:** **US D778,608 S**
Hsu (45) **Date of Patent:** **** Feb. 14, 2017**

(54) **CONTAINER**
(71) Applicant: **L&F PLASTICS, CO., LTD.**, Miaoli County (TW)
(72) Inventor: **Mu-Chuan Hsu**, Miaoli County (TW)
(73) Assignee: **L&F Plastics, Co., Ltd.**, Maioli County (TW)
(**) Term: **15 Years**
(21) Appl. No.: **29/577,878**
(22) Filed: **Sep. 16, 2016**

D296,398 S * 6/1988 Cugley D6/675
D301,927 S 6/1989 Williams, Jr.
D304,120 S * 10/1989 Buchanan D3/294
D311,799 S * 10/1990 Embree D3/294
D327,561 S * 6/1992 Hradisky D3/307
D336,243 S * 6/1993 Evans D3/294
D336,698 S 6/1993 Conaway
D380,880 S 7/1997 Reid
D425,703 S 5/2000 Ohayon
D436,728 S 1/2001 Harding
D467,052 S 12/2002 Van Landingham, Jr.
D473,377 S 4/2003 Chandaria
D515,313 S * 2/2006 Uffner D3/273
D517,319 S 3/2006 Wisnoski
D538,539 S 3/2007 Richardson
D545,060 S 6/2007 Cheng
D547,973 S 8/2007 Brown
7,438,186 B2 10/2008 Markson
D583,562 S 12/2008 Ghiorghie

(Continued)

Related U.S. Application Data

(62) Division of application No. 29/527,535, filed on May 20, 2015, now Pat. No. Des. 766,574.

Foreign Application Priority Data

Mar. 13, 2015 (TW) 104300349
Mar. 13, 2015 (TW) 104300350

(51) **LOC (10) Cl.** **03-01**
(52) **U.S. Cl.**
USPC **D3/294**

(58) **Field of Classification Search**
USPC D3/272, 273, 276, 294, 304, 307;
D9/424-425
CPC A47J 47/14; B65D 1/22; B65D 1/34;
B65D 1/40; B65D 15/02
See application file for complete search history.

References Cited

U.S. PATENT DOCUMENTS

2,916,161 A 12/1959 Schaefer
D242,659 S * 12/1976 Clipson D3/307
D274,012 S 5/1984 Williams

Primary Examiner — Kelley Donnelly

(74) *Attorney, Agent, or Firm* — Alan D. Kamrath;
Kamrath IP Lawfirm, P.A.

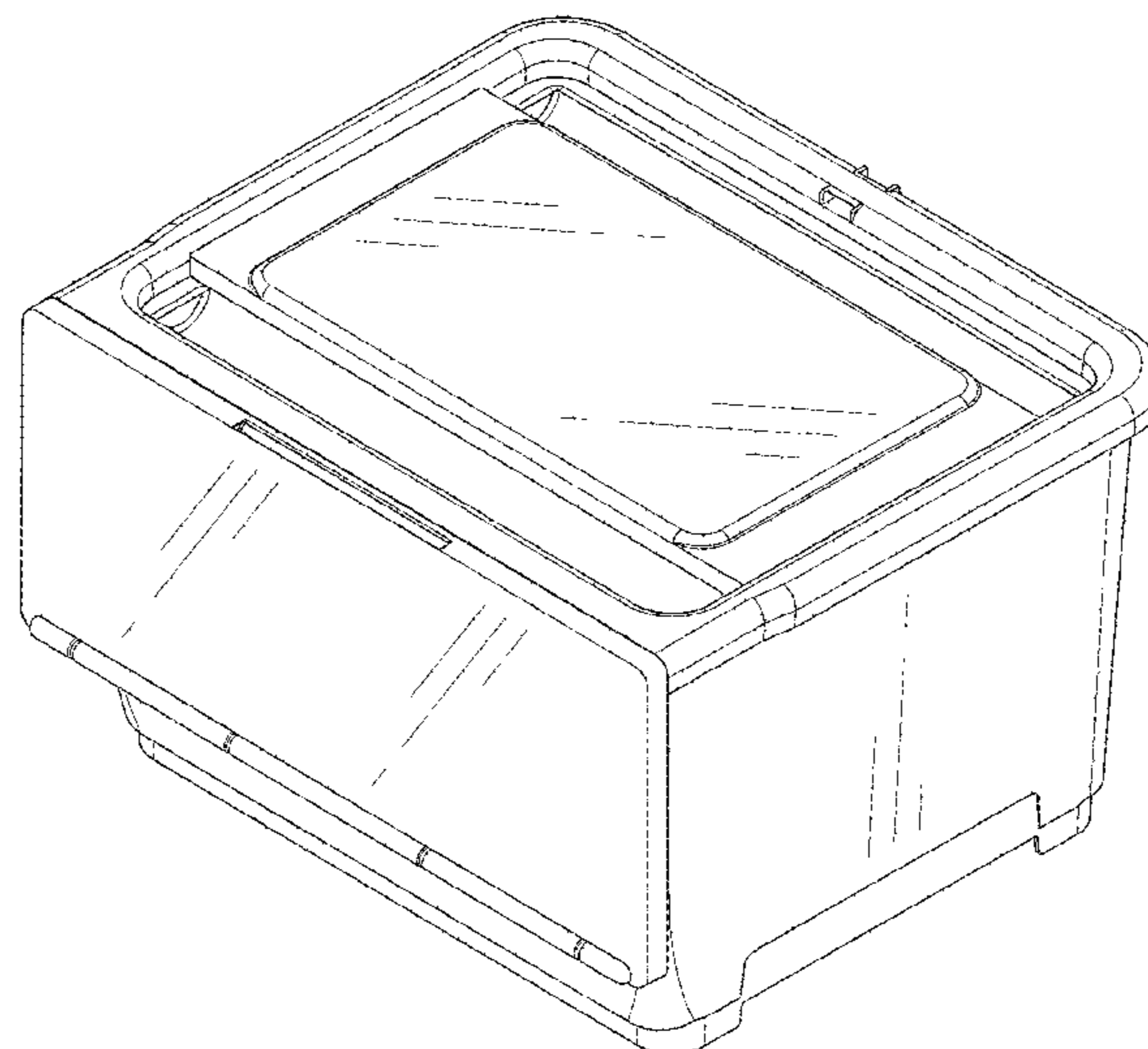
(57) **CLAIM**

The ornamental design for a container, as shown and described.

DESCRIPTION

FIG. 1 is a perspective view of a container showing my new design;
FIG. 2 is a front view thereof;
FIG. 3 is a rear view thereof;
FIG. 4 is a left view thereof;
FIG. 5 is a right view thereof;
FIG. 6 is a top plan view thereof; and,
FIG. 7 is a bottom plan view thereof.
The broken lines showing is included for the purpose of illustrating environment and forms no part of the claimed design.

1 Claim, 5 Drawing Sheets



(56)

References Cited

U.S. PATENT DOCUMENTS

D594,229	S	6/2009	Barkdoll	
D641,256	S *	7/2011	Fisher	D9/425
D646,563	S *	10/2011	Bontrager	D9/425
D653,605	S *	2/2012	Stroud	D12/425
D683,962	S *	6/2013	Brunner	D3/304
D689,718	S	9/2013	Puckett	
D690,514	S	10/2013	Shamp	
D701,044	S *	3/2014	Kishimoto	D3/272
D702,012	S	4/2014	Kyle	
D712,477	S	9/2014	Stravitz	
8,833,593	B2 *	9/2014	Martheenal	B65D 21/0216 206/507
D716,552	S	11/2014	Theisen	
D719,731	S *	12/2014	Burgess	D3/299
D727,072	S	4/2015	Sorel	
D731,186	S	6/2015	Hsu	
D745,781	S	12/2015	Hsu	
D748,916	S	2/2016	Nilsson	
D762,469	S *	8/2016	Wood	D9/425

* cited by examiner

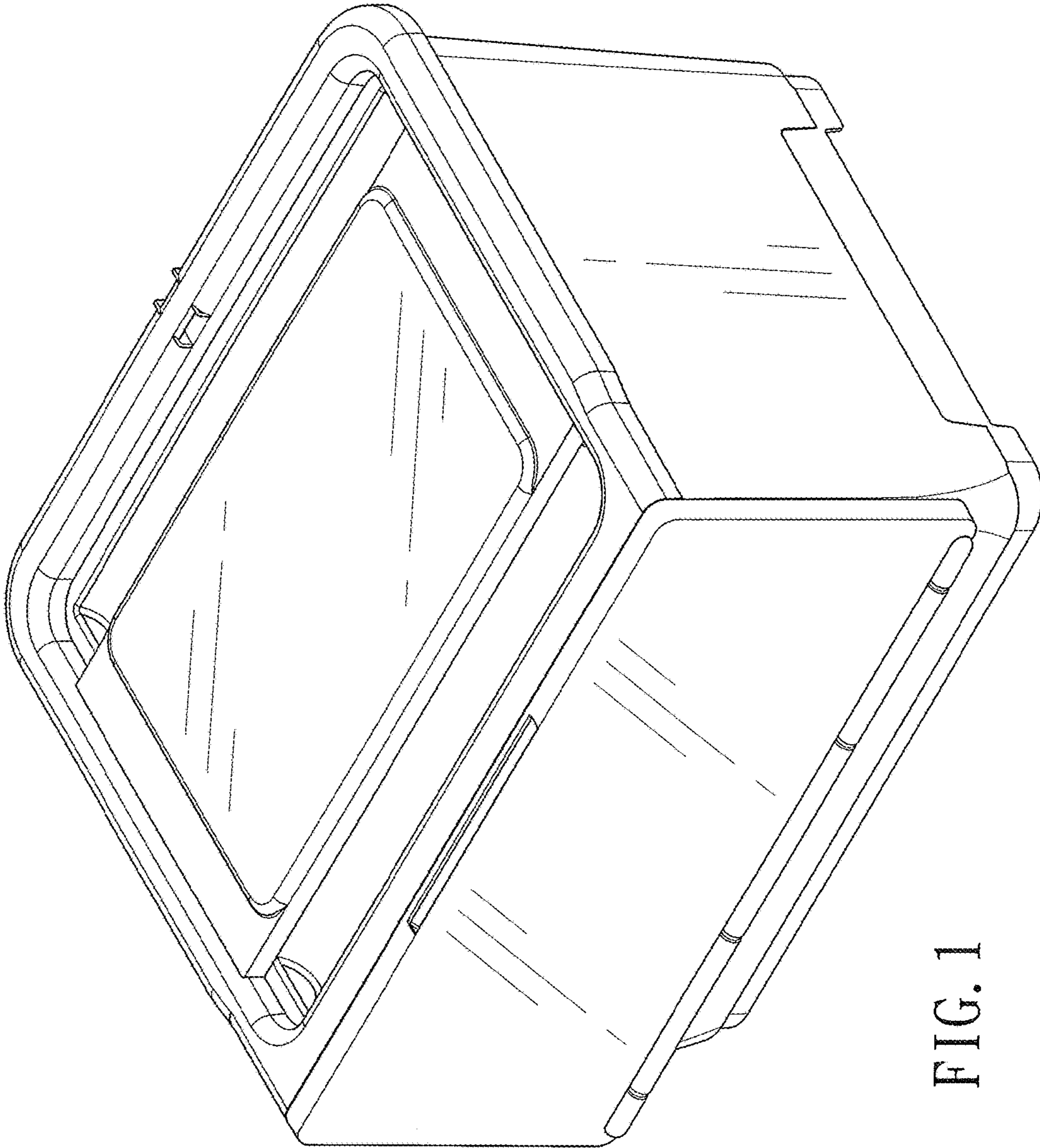


FIG. 1

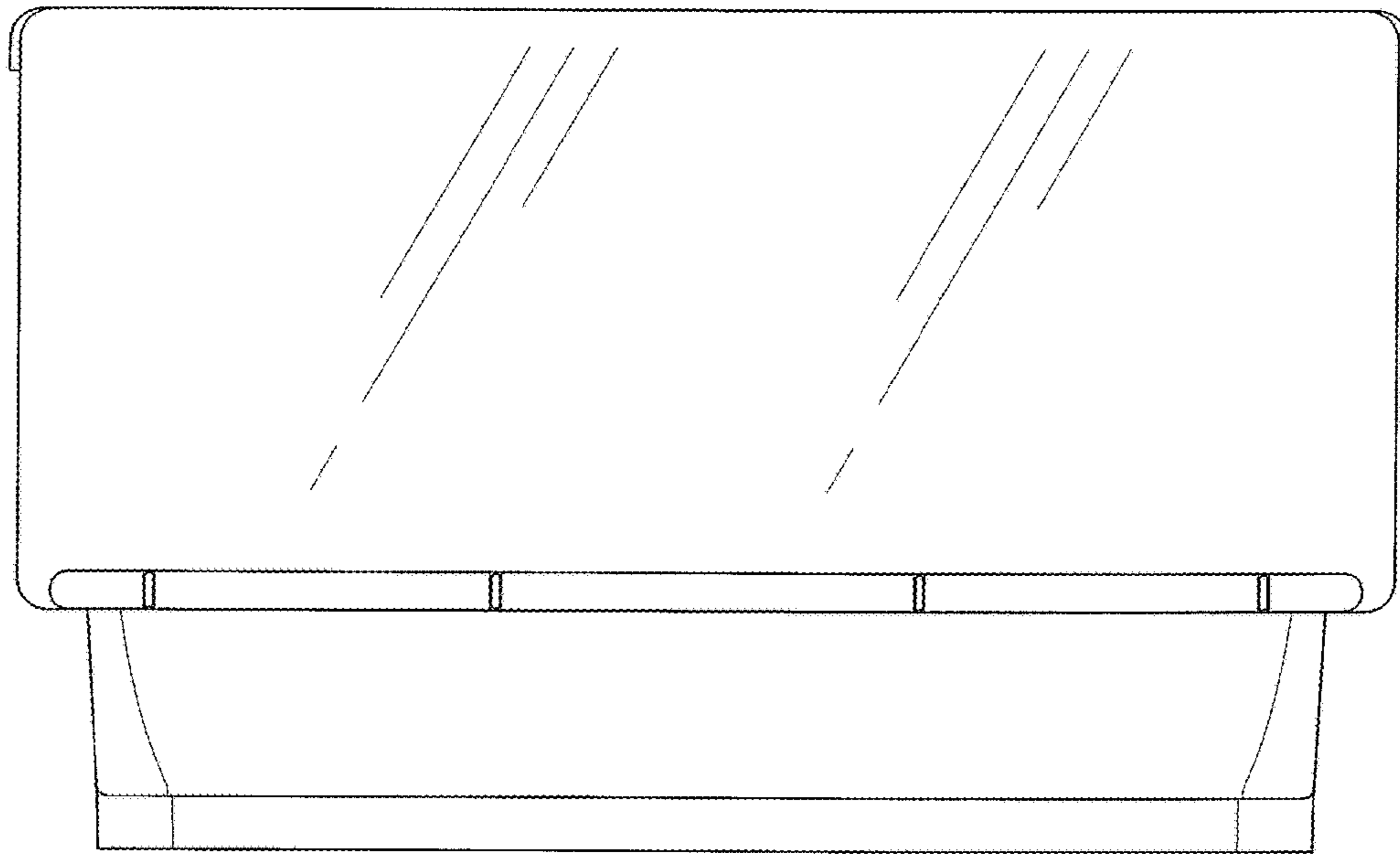


FIG. 2

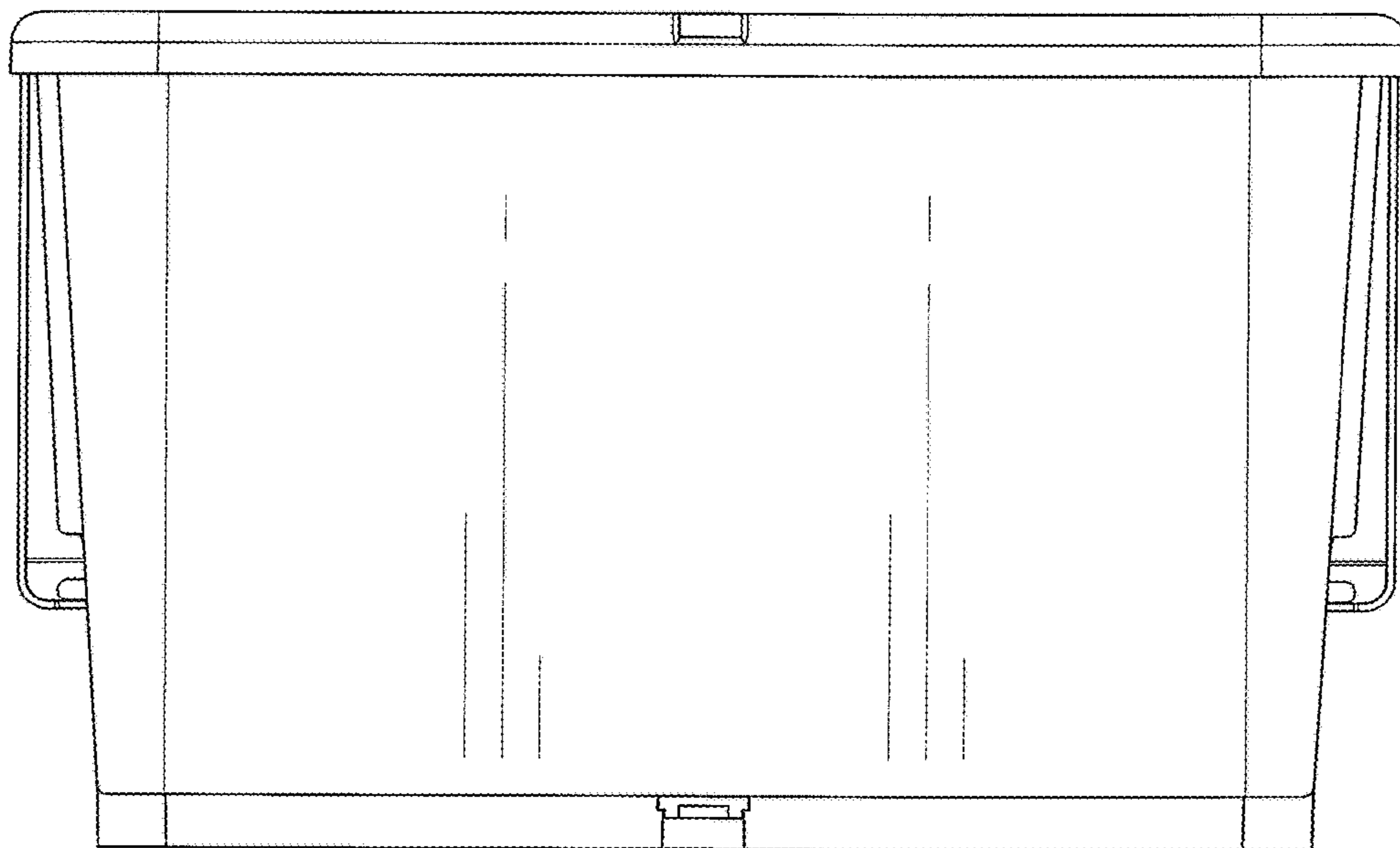


FIG. 3

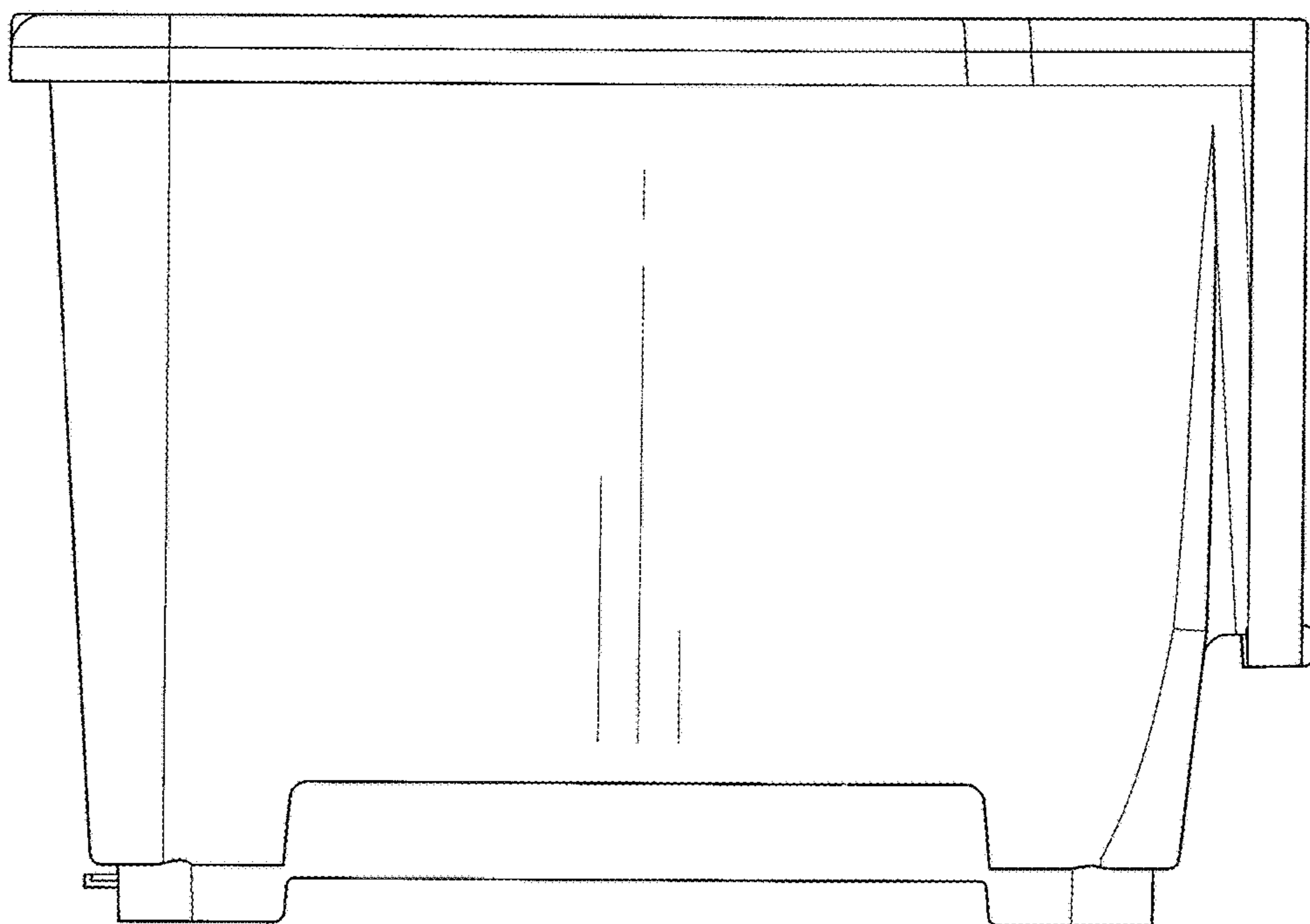


FIG. 4

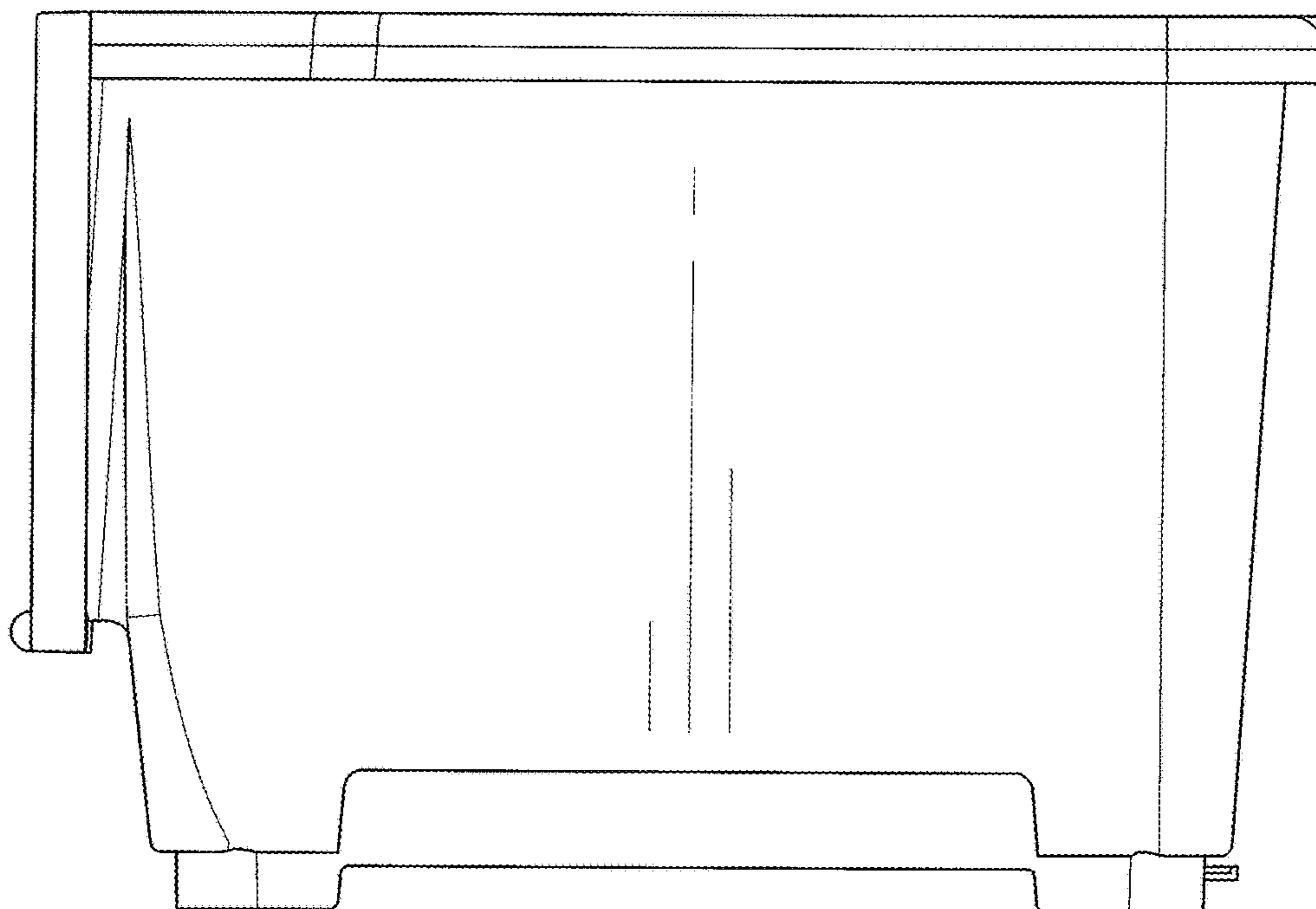


FIG. 5

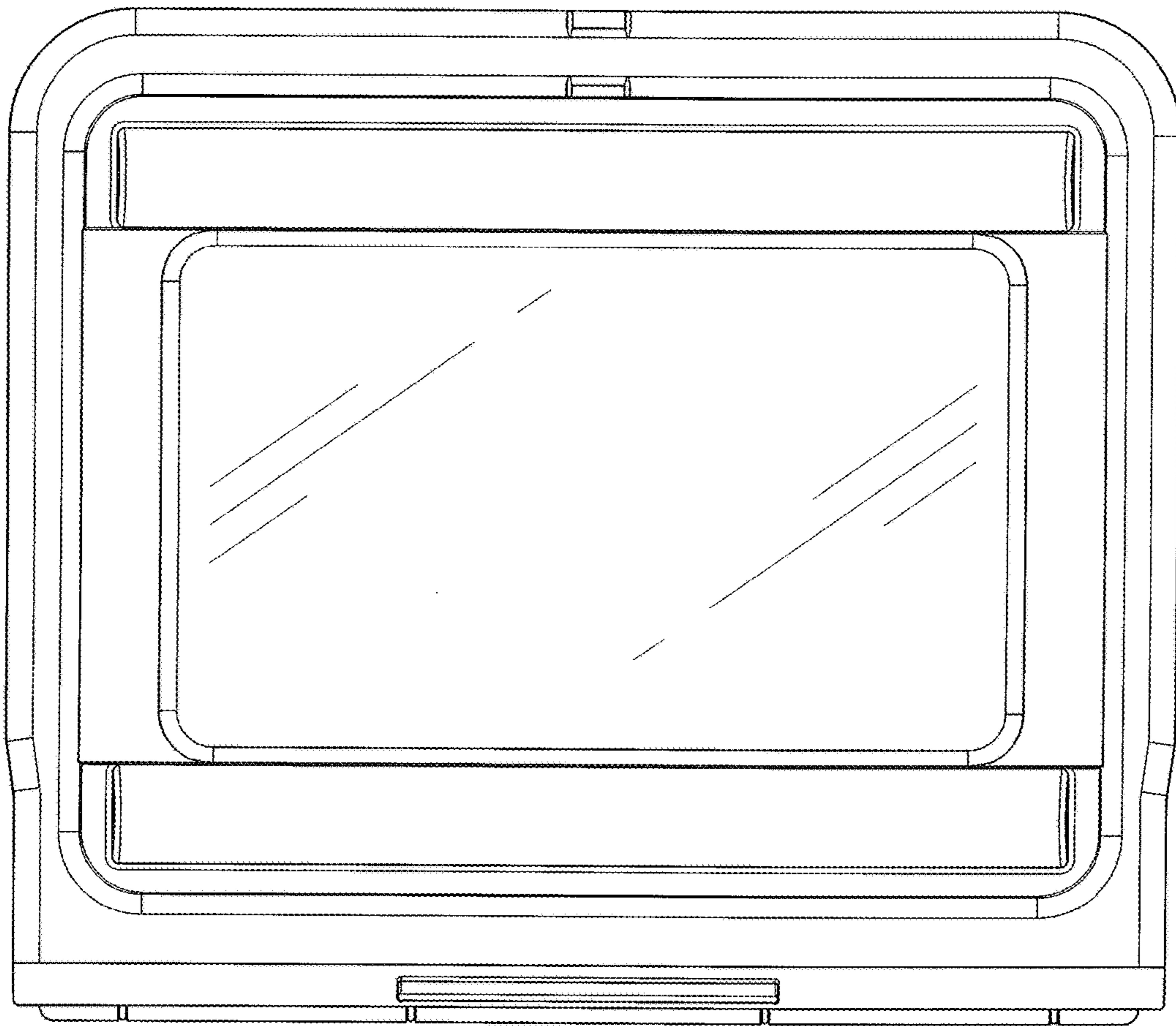


FIG. 6

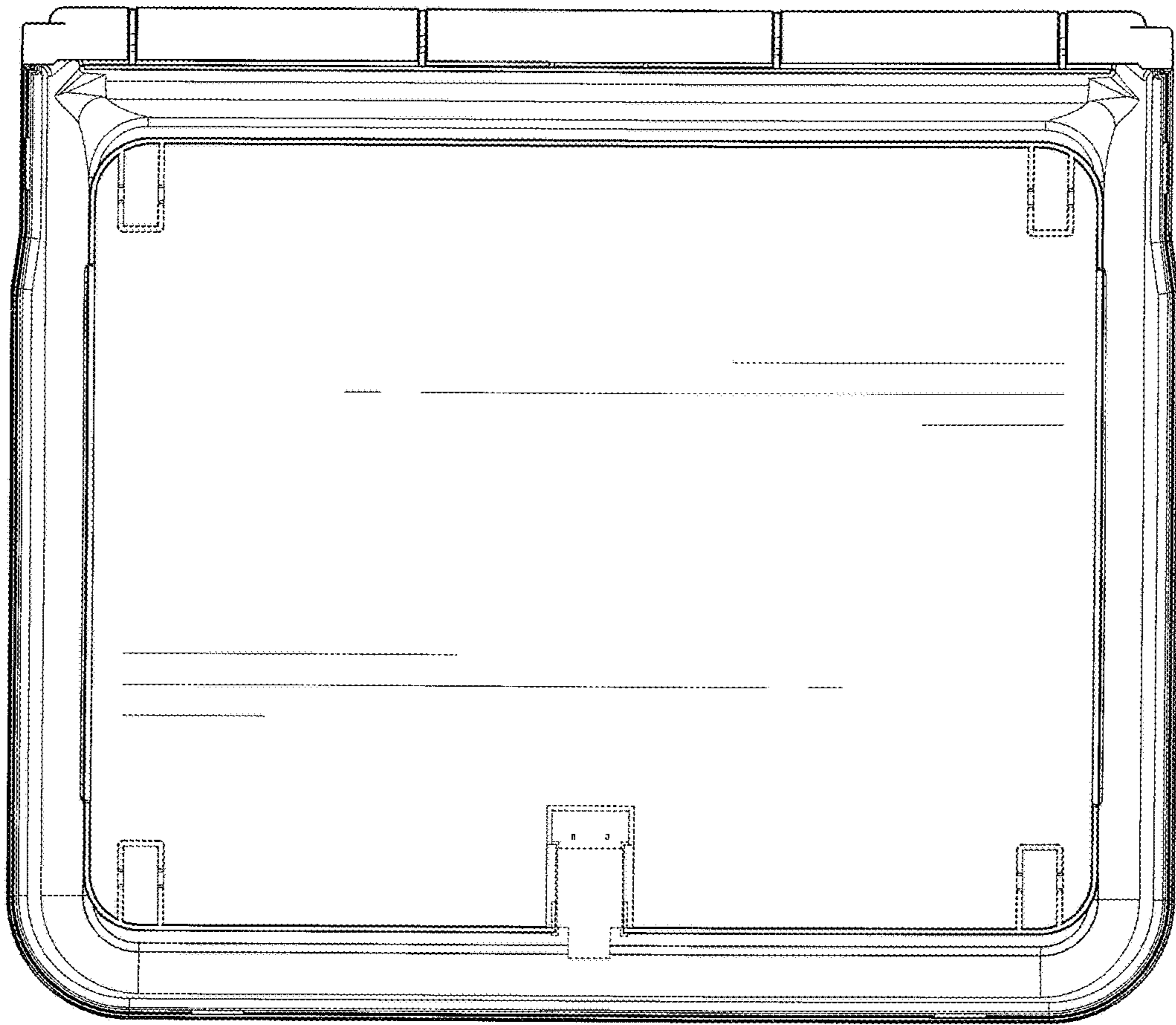


FIG. 7