



US00D778607S

(12) **United States Design Patent** (10) **Patent No.:** **US D778,607 S**
Sacks et al. (45) **Date of Patent:** **** Feb. 14, 2017**

(54) **COMBINED STORAGE CONTAINER AND GOOSE NECK MIRROR**

2,258,543 A 10/1941 Cressaty
2,258,544 A 10/1941 Cressaty
3,163,364 A 12/1964 Ritter et al.

(71) Applicant: **SK Innovative Products, LLC**, Las Vegas, NV (US)

(Continued)

(72) Inventors: **Esther Sacks**, Las Vegas, NV (US);
Elayne Kollins, Las Vegas, NV (US)

(73) Assignee: **SK Innovative Products, LLC**, Las Vegas, NV (US)

(**) Term: **15 Years**

(21) Appl. No.: **29/547,633**

(22) Filed: **Dec. 4, 2015**

Related U.S. Application Data

(63) Continuation-in-part of application No. 29/524,549, filed on Apr. 21, 2015.

(51) **LOC (10) Cl.** **03-01**

(52) **U.S. Cl.**
USPC **D3/275**; D3/282; D3/283; D3/901

(58) **Field of Classification Search**
USPC D3/273, 274, 275, 283, 295, 296, 297,
D3/901, 905, 205, 282; D6/662, 560, 667;
D28/76, 83
CPC A45D 33/20; A45C 15/04; A45C 5/005;
A45C 5/00; A47B 67/005
See application file for complete search history.

(56) **References Cited**

U.S. PATENT DOCUMENTS

1,435,160 A	11/1922	Hoegemann	
1,496,575 A	6/1924	Hanna	
1,875,650 A	9/1932	Pemberton et al.	
2,145,462 A	1/1939	Speck	
2,185,149 A	12/1939	Hallbauer	
D119,281 S *	3/1940	Paisner	D3/275
2,258,542 A	10/1941	Cressaty	

OTHER PUBLICATIONS

Walmart, "Cosmetic Organizer DIY Makeup Box Case . . . ", Accessed Aug. 30, 2016. (https://www.walmart.com/...f76350&wmlspartner=shoppingcom2&affcmpid=2290483245&tmode=0000&veh=cse&sdc_id=1085169843066).*

(Continued)

Primary Examiner — Jennifer Rivard

Assistant Examiner — April Rivas

(74) *Attorney, Agent, or Firm* — Newman Law, LLC

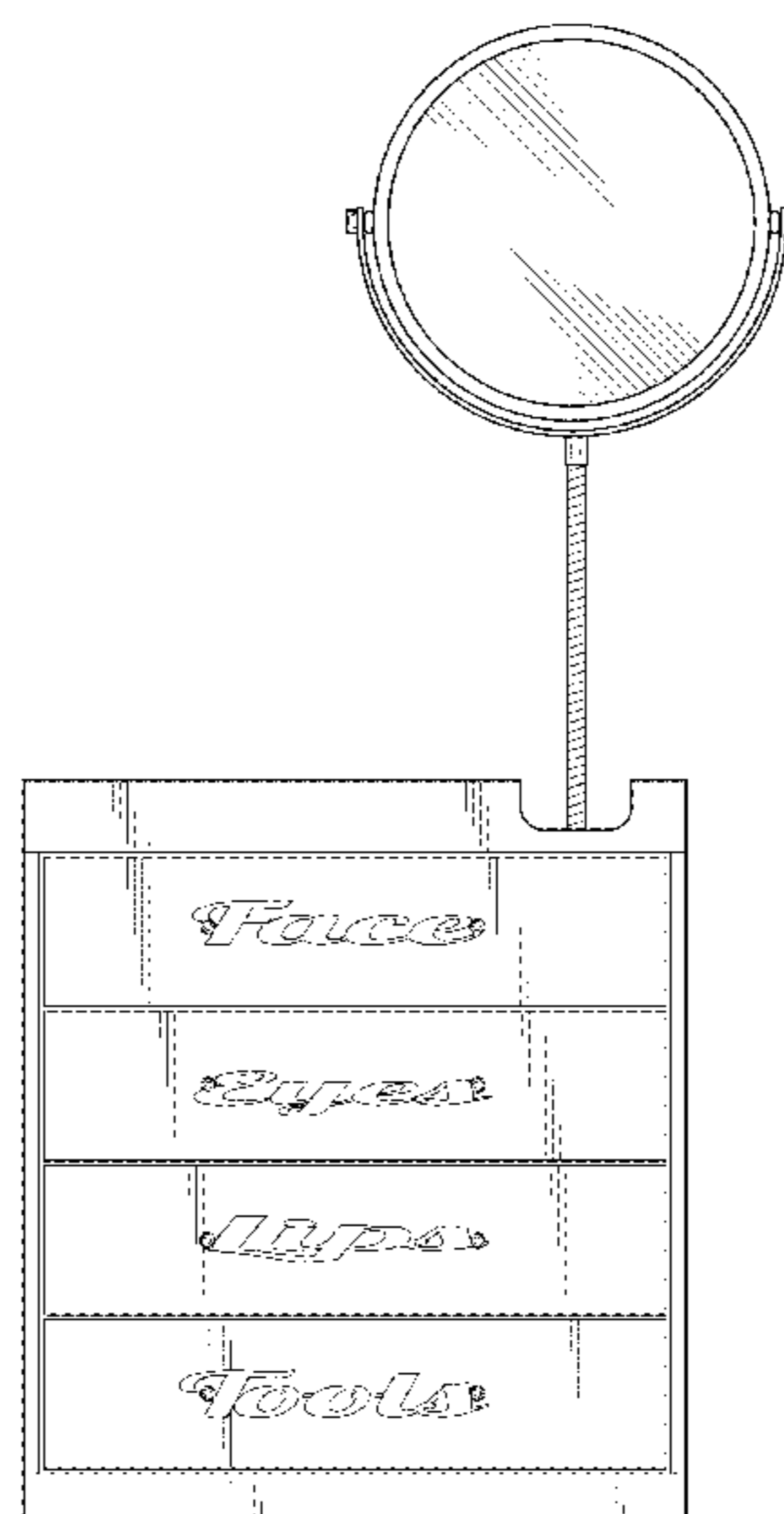
(57) **CLAIM**

The ornamental design for a combined storage container and goose neck mirror, as shown and described.

DESCRIPTION

FIG. 1 is a perspective view of the combined storage container and goose neck mirror, which also illustrates the goose neck mirror in a curved position;
 FIG. 2 is a front view of the combined storage container and goose neck mirror with the goose neck mirror in a straight position;
 FIG. 3 is a rear view of the combined storage container and goose neck mirror shown in FIG. 2;
 FIG. 4 is a top view of the combined storage container and goose neck mirror shown in FIG. 2;
 FIG. 5 is a bottom view of the combined storage container and goose neck mirror shown in FIG. 2;
 FIG. 6 is a right side view the combined storage container and goose neck mirror shown in FIG. 2; and,
 FIG. 7 is a left side view the combined storage container and goose neck mirror shown in FIG. 2.

1 Claim, 6 Drawing Sheets



(56)

References Cited

U.S. PATENT DOCUMENTS

3,383,082 A 5/1968 Larson
 3,641,334 A 2/1972 Kipping
 4,119,107 A 10/1978 Pinzone et al.
 4,192,329 A * 3/1980 Swearingen A45C 5/005
 132/287
 4,314,314 A 2/1982 Hübner
 D263,896 S * 4/1982 Glasgow D3/275
 D302,483 S * 7/1989 Zall D28/76
 D341,715 S * 11/1993 Ancona D3/275
 D348,994 S * 7/1994 Geske D3/297
 D361,430 S * 8/1995 Mohundro D3/296
 D393,541 S * 4/1998 Calmeise D3/297
 D418,298 S * 1/2000 Wolf D3/275
 D437,711 S * 2/2001 Berg D28/73
 6,533,433 B1 3/2003 Stark et al.
 D477,154 S * 7/2003 Benn D3/297
 D517,805 S * 3/2006 Hosking D3/291
 7,482,548 B2 1/2009 Periot et al.
 D599,589 S * 9/2009 Cassel D3/297

7,731,310 B2 6/2010 Kohlmann et al.
 D636,599 S * 4/2011 Hsu D3/297
 D643,216 S * 8/2011 Greiner D3/296
 D662,725 S * 7/2012 Hill D6/662
 D713,995 S * 9/2014 Felder D28/73
 D723,794 S * 3/2015 Lai D28/83
 2006/0077654 A1 4/2006 Krieger et al.
 2009/0272659 A1 11/2009 Kaiser et al.
 2011/0030721 A1 2/2011 Mendoza
 2013/0188339 A1 7/2013 Wang et al.
 2015/0305496 A1 * 10/2015 Sacks A45D 42/16
 312/226

OTHER PUBLICATIONS

Amazon, "InterDesigns 2-Drawer Cosmetic Organizer . . ."
 Accessed Aug. 30, 2016. Reviewed Jun. 21, 2016. (<https://www.amazon.com/InterDesign-5-Drawer-Cosmetic-Organizer-Products/dp/B019FDVSGC>).*

* cited by examiner

FIG. 1

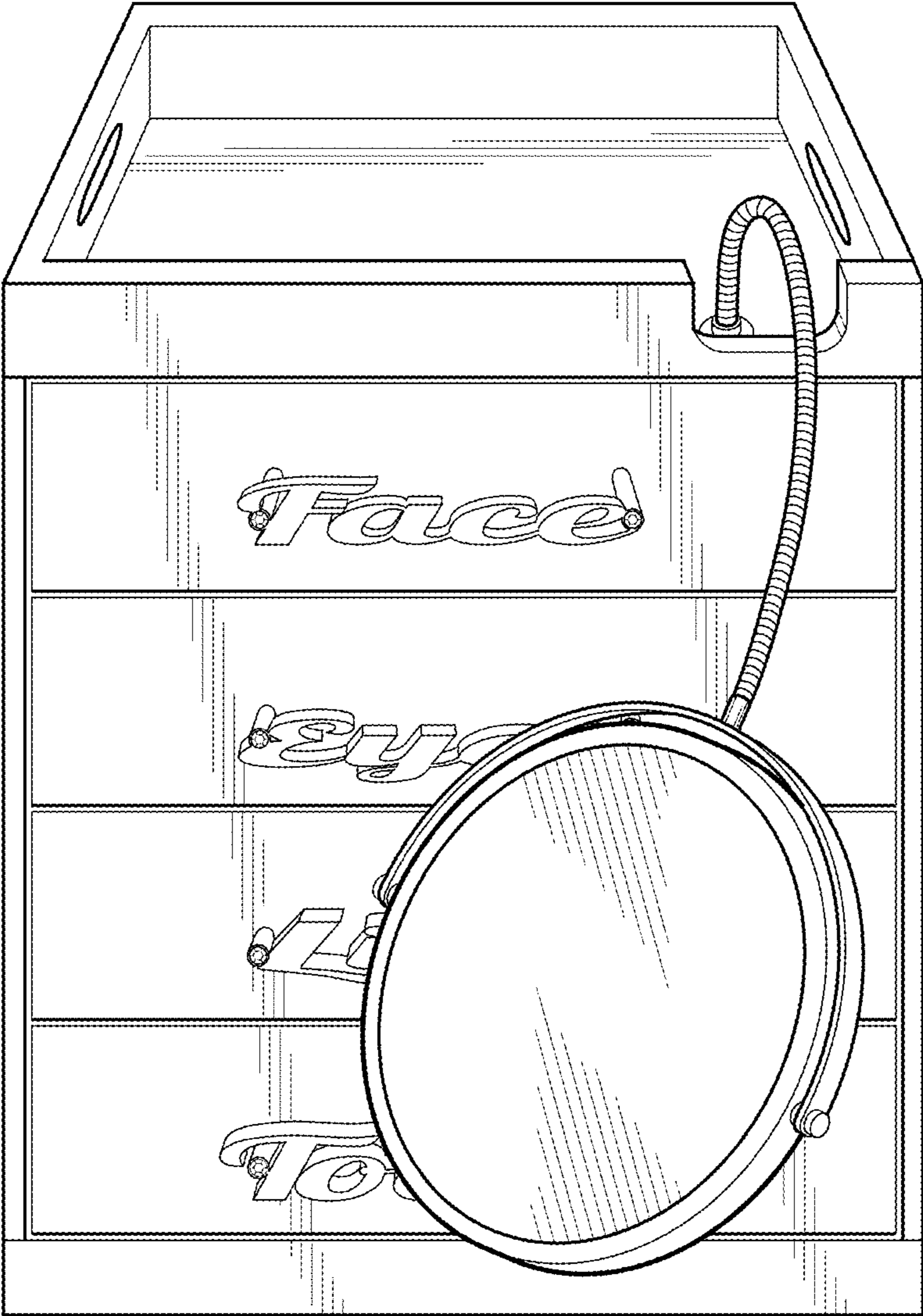
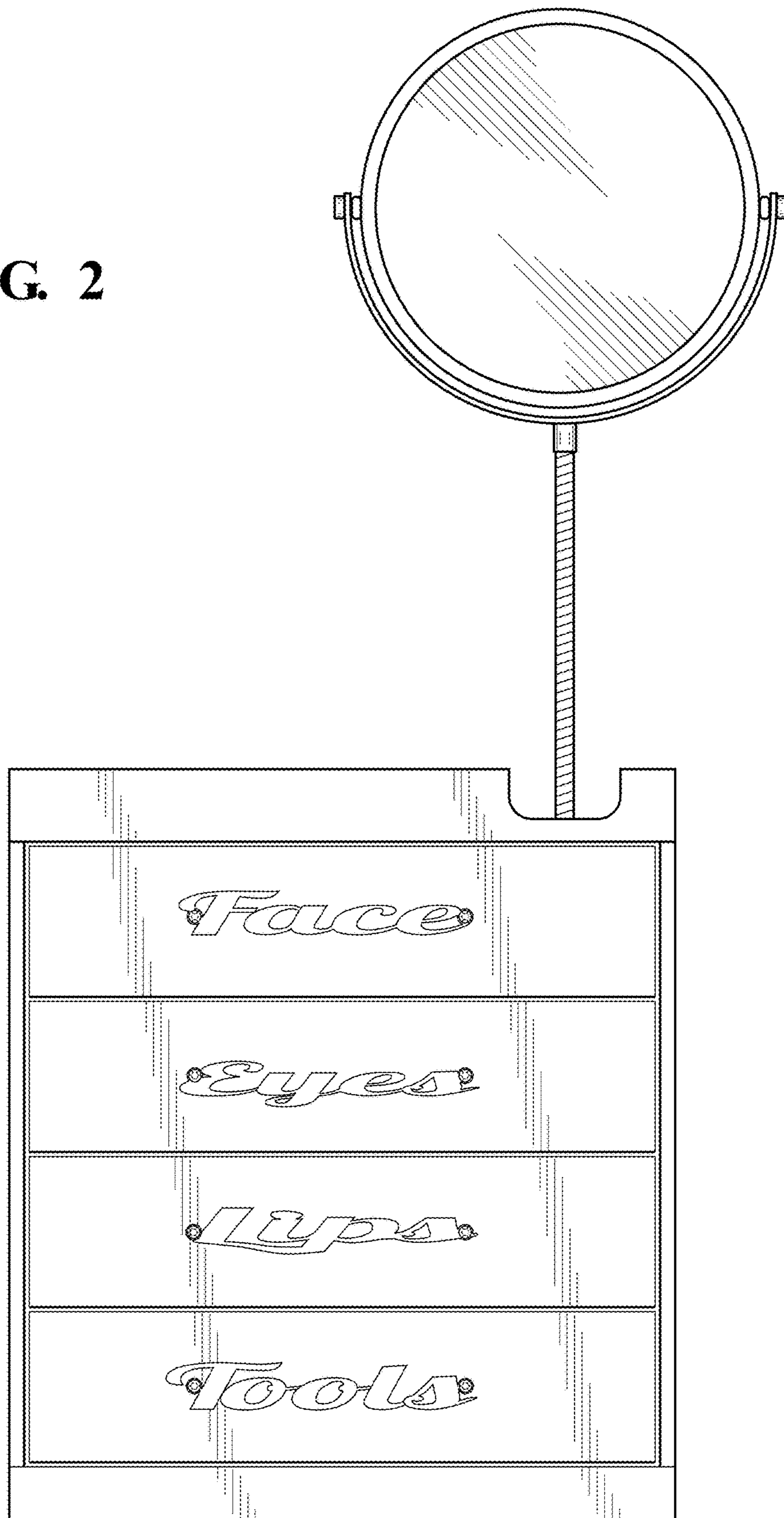


FIG. 2



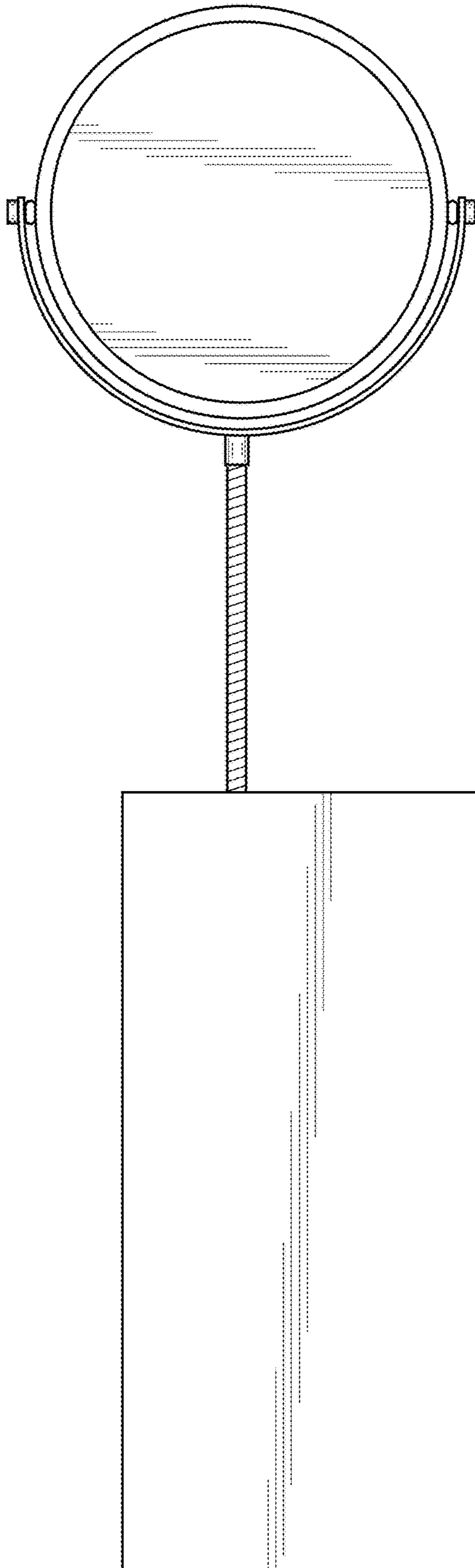


FIG. 3

FIG. 4

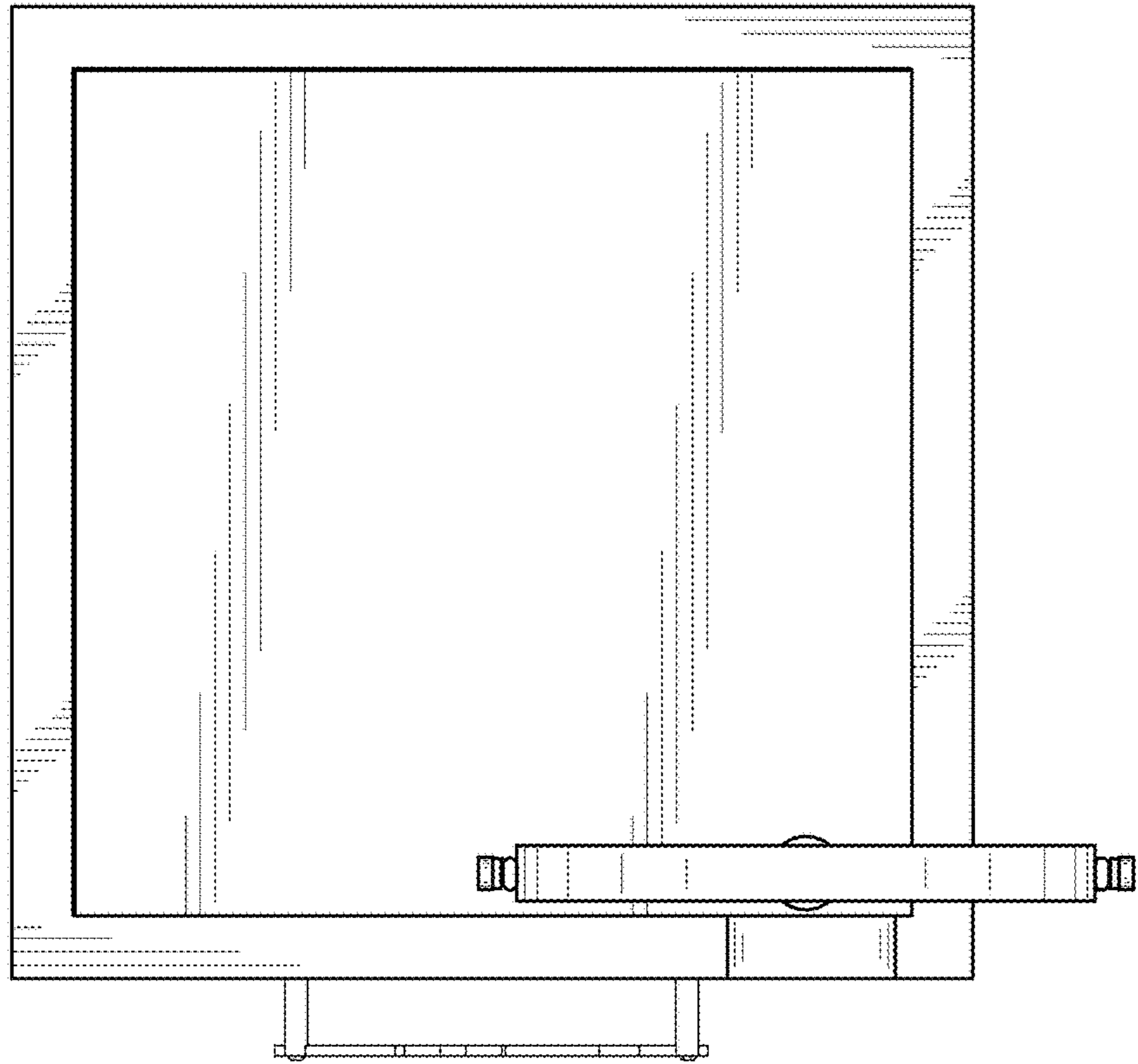
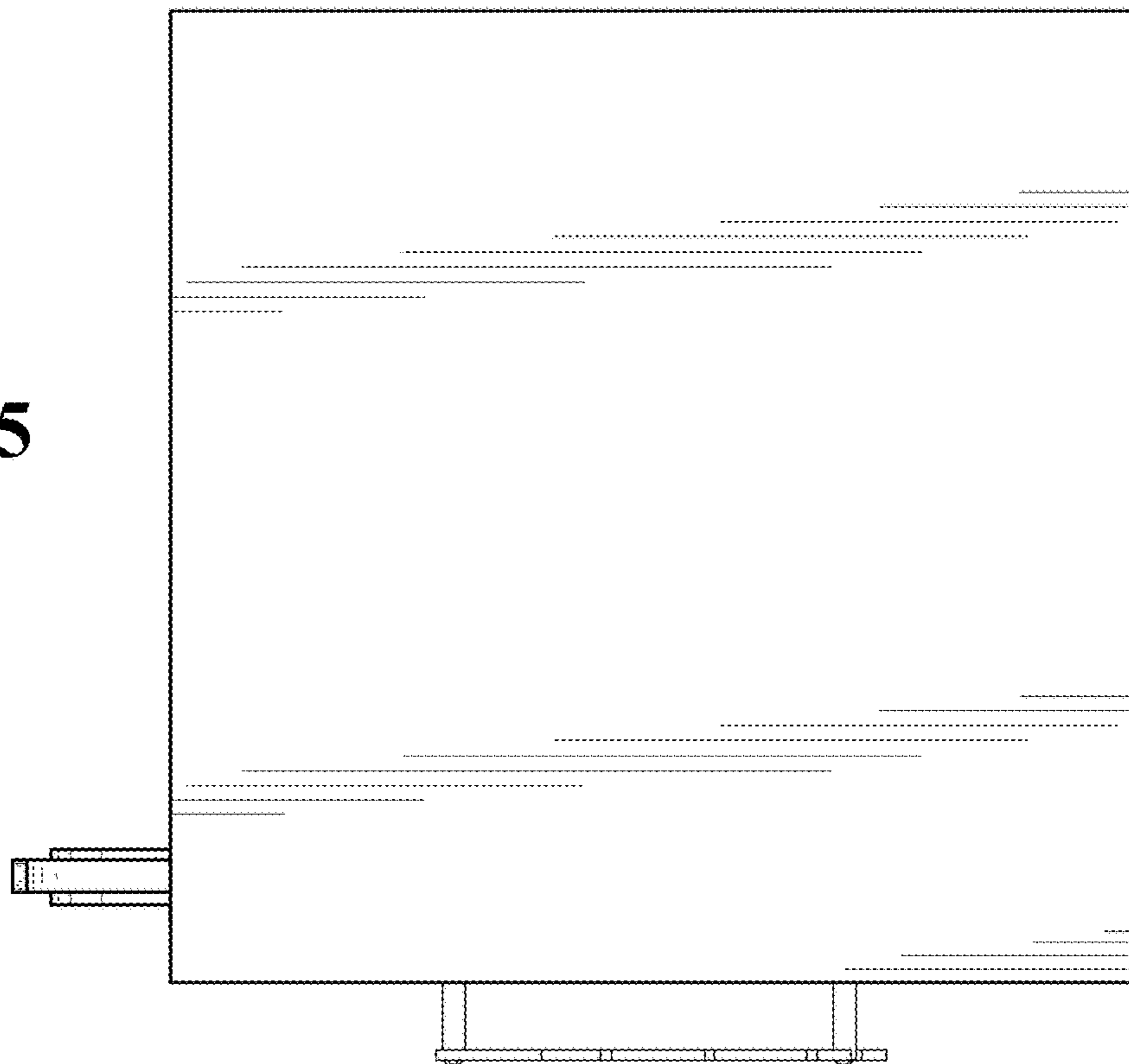


FIG. 5



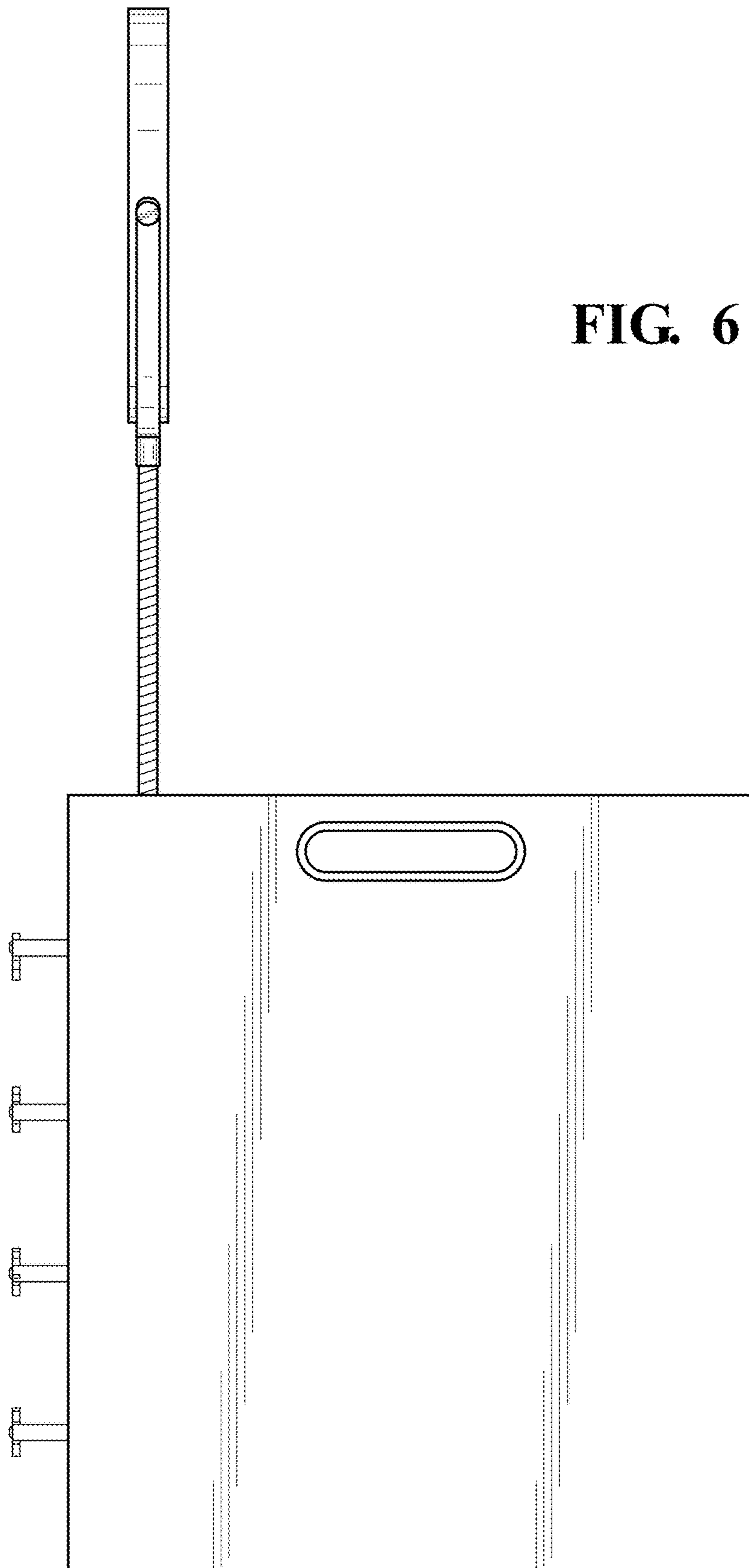


FIG. 6

FIG. 7

