



US00D778601S

(12) **United States Design Patent** (10) **Patent No.:** **US D778,601 S**
Heyman (45) **Date of Patent:** **** Feb. 14, 2017**

(54) **HANDBAG**
(71) Applicant: **Edie Parker LLC**, New York, NY (US)
(72) Inventor: **Brett Heyman**, New York, NY (US)
(73) Assignee: **Edie Parker LLC**, New York, NY (US)
(**) Term: **15 Years**
(21) Appl. No.: **29/551,371**
(22) Filed: **Jan. 13, 2016**
(51) **LOC (10) Cl.** **03-01**
(52) **U.S. Cl.**
USPC **D3/243**
(58) **Field of Classification Search**
USPC D3/232-233, 240-243, 245-246
CPC A45C 1/024; A45C 3/06
See application file for complete search history.

(56) **References Cited**
U.S. PATENT DOCUMENTS
D723,272 S * 3/2015 Basha D3/243
D728,225 S * 5/2015 McNamara D3/243
D730,042 S * 5/2015 Slimane D3/243

* cited by examiner

Primary Examiner — Holly Baynham
(74) *Attorney, Agent, or Firm* — Springut Law PC;
Milton Springut

(57) **CLAIM**
The ornamental design of a handbag, as shown and described.

DESCRIPTION
FIG. 1 is a perspective view thereof.
FIG. 2 is a front view thereof.
FIG. 3 is a rear view thereof.
FIG. 4 is a left side view thereof.
FIG. 5 is a right side view thereof.
FIG. 6 is a top view thereof; and,
FIG. 7 is a bottom view thereof.
The broken lines showing a handbag element are for the purposes of illustrating environment and form no part of the claimed design.

1 Claim, 7 Drawing Sheets

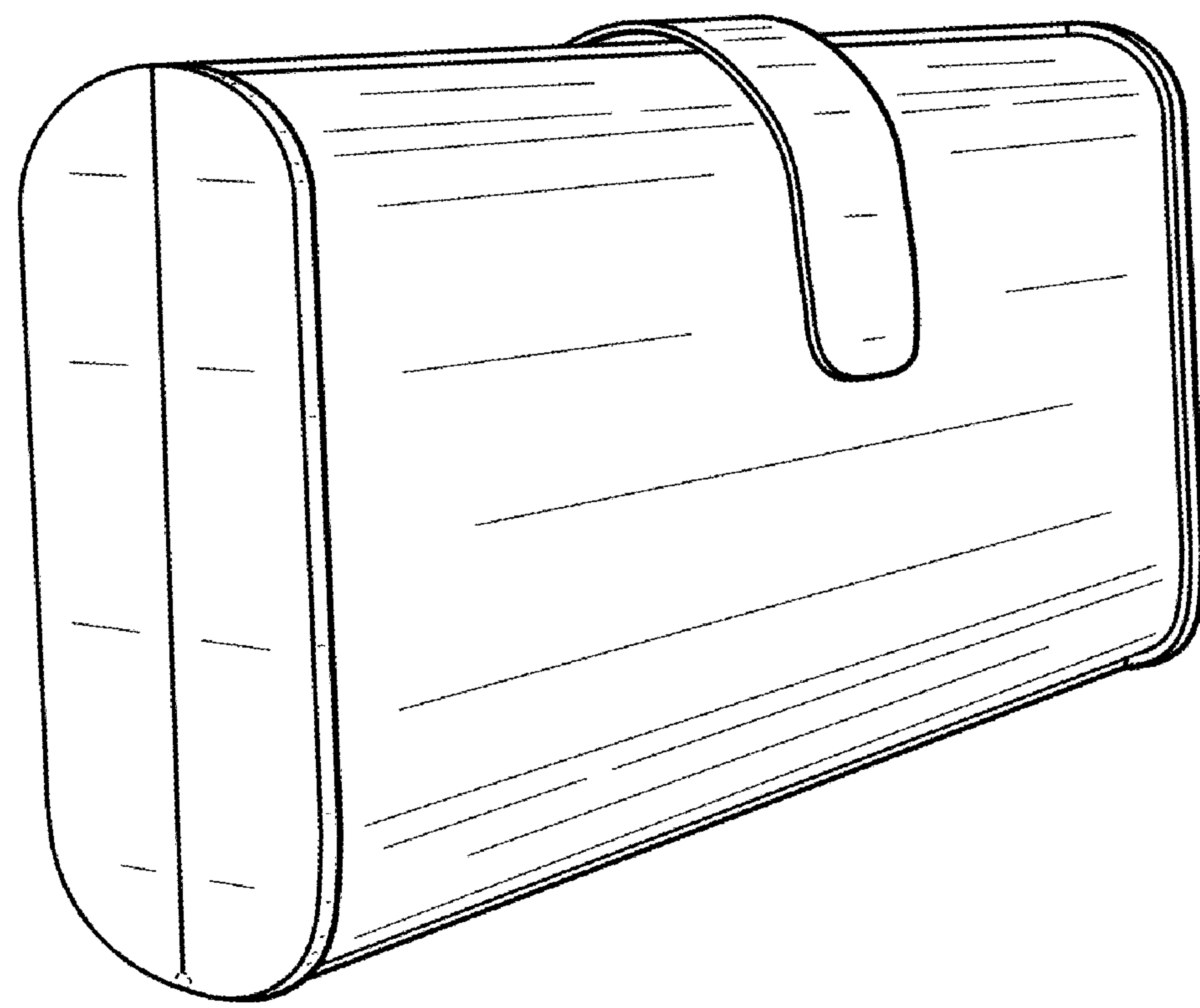


FIG. 1

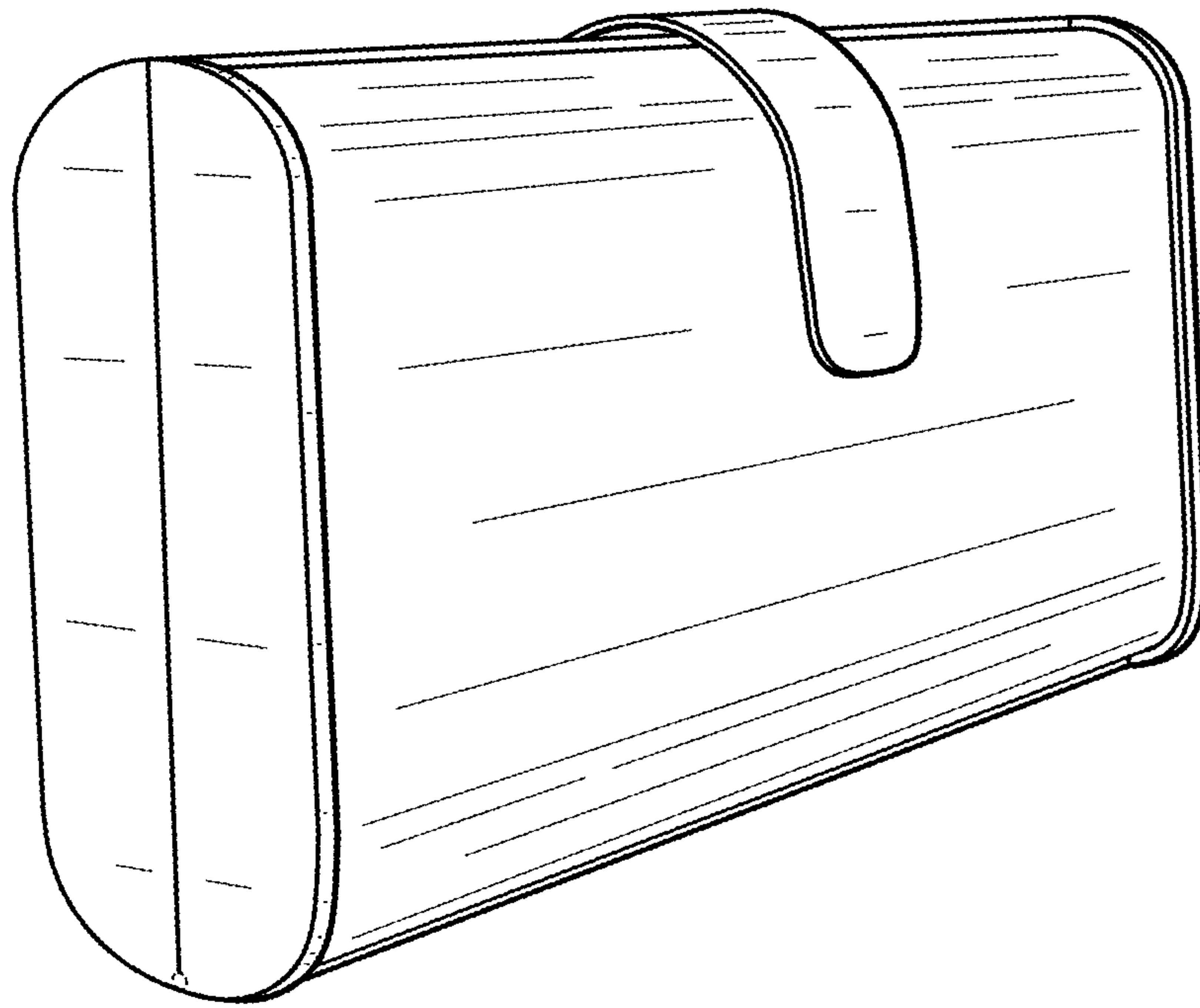


FIG. 2

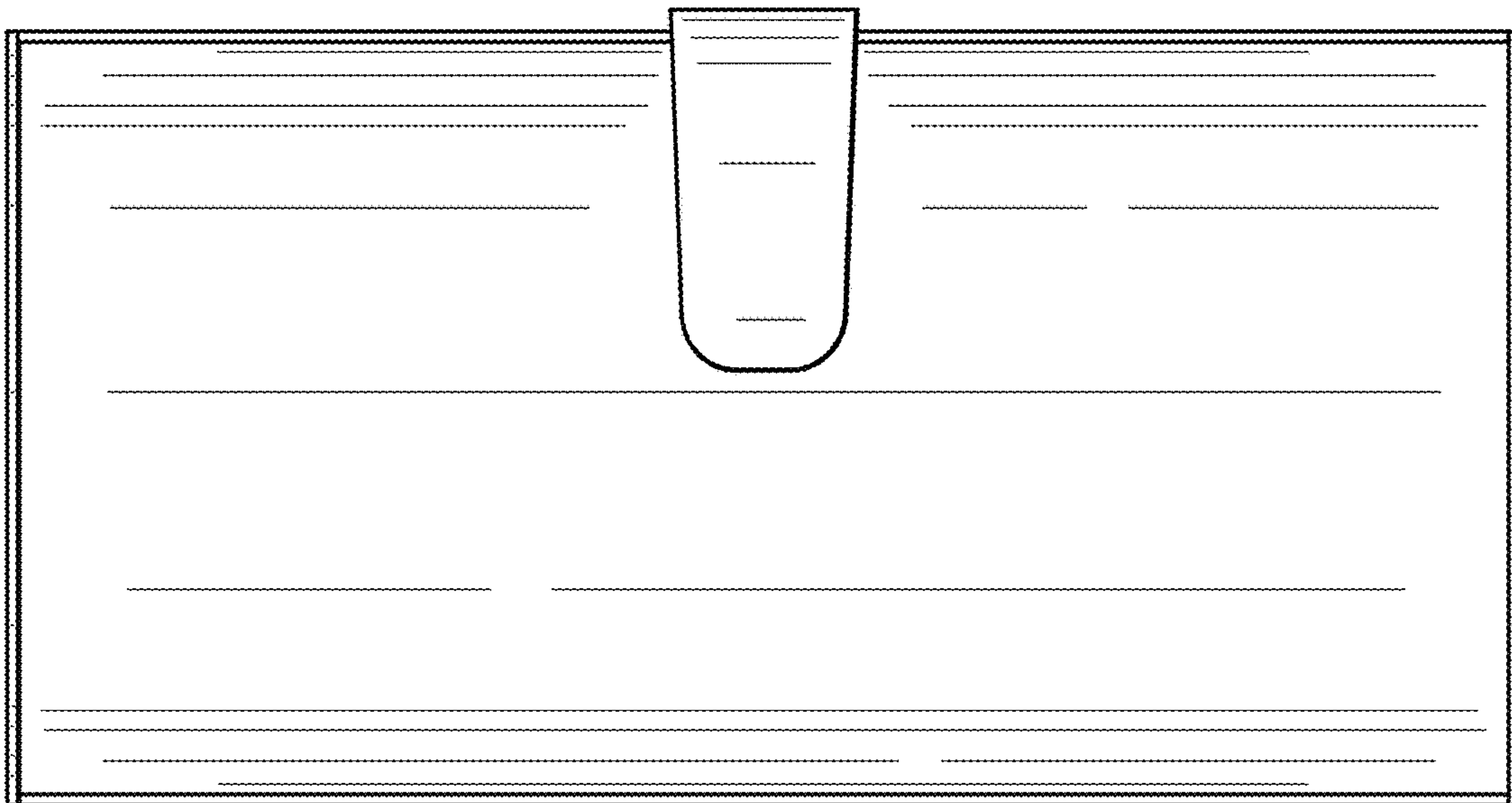


FIG. 3

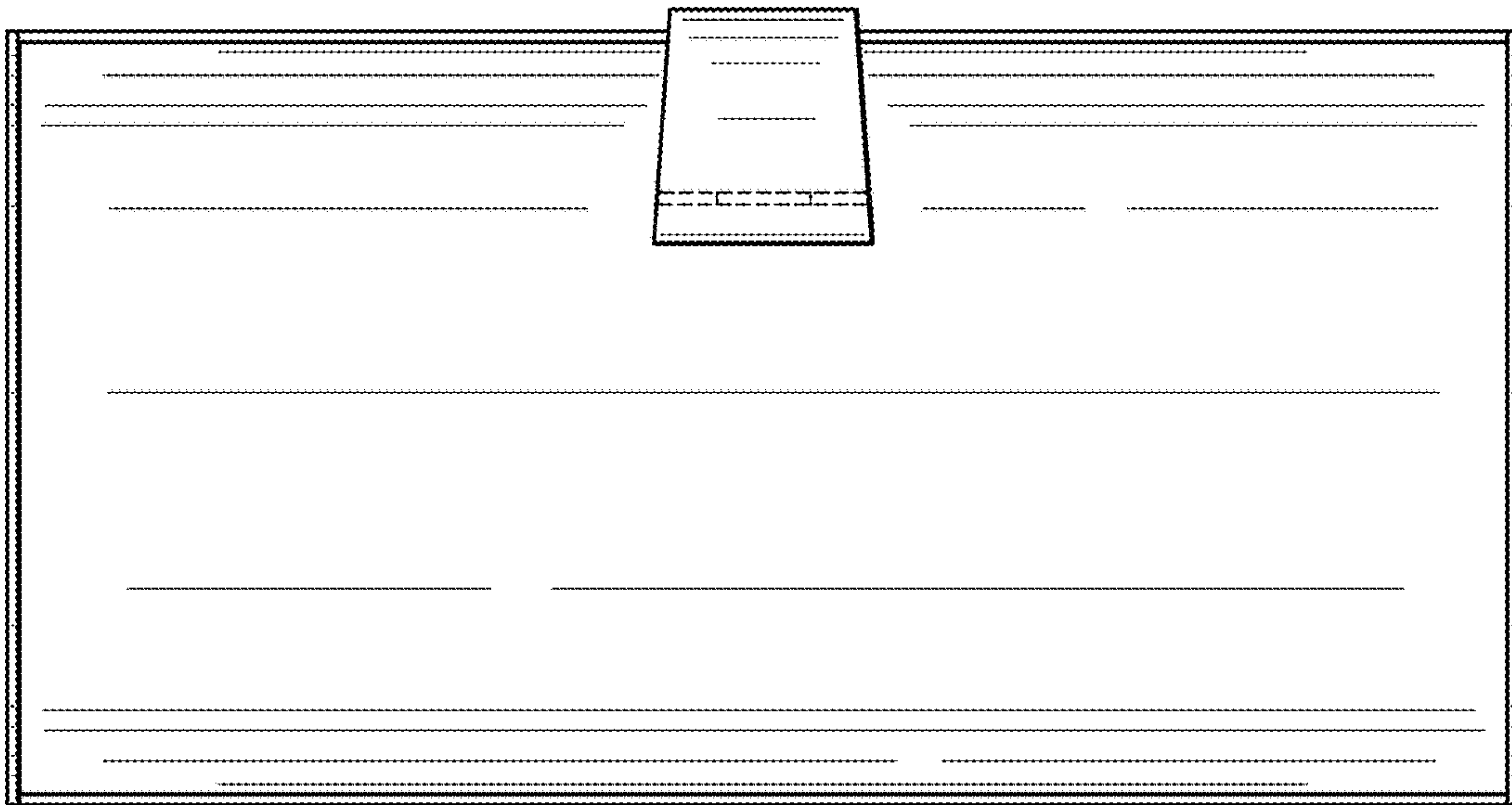


FIG. 4

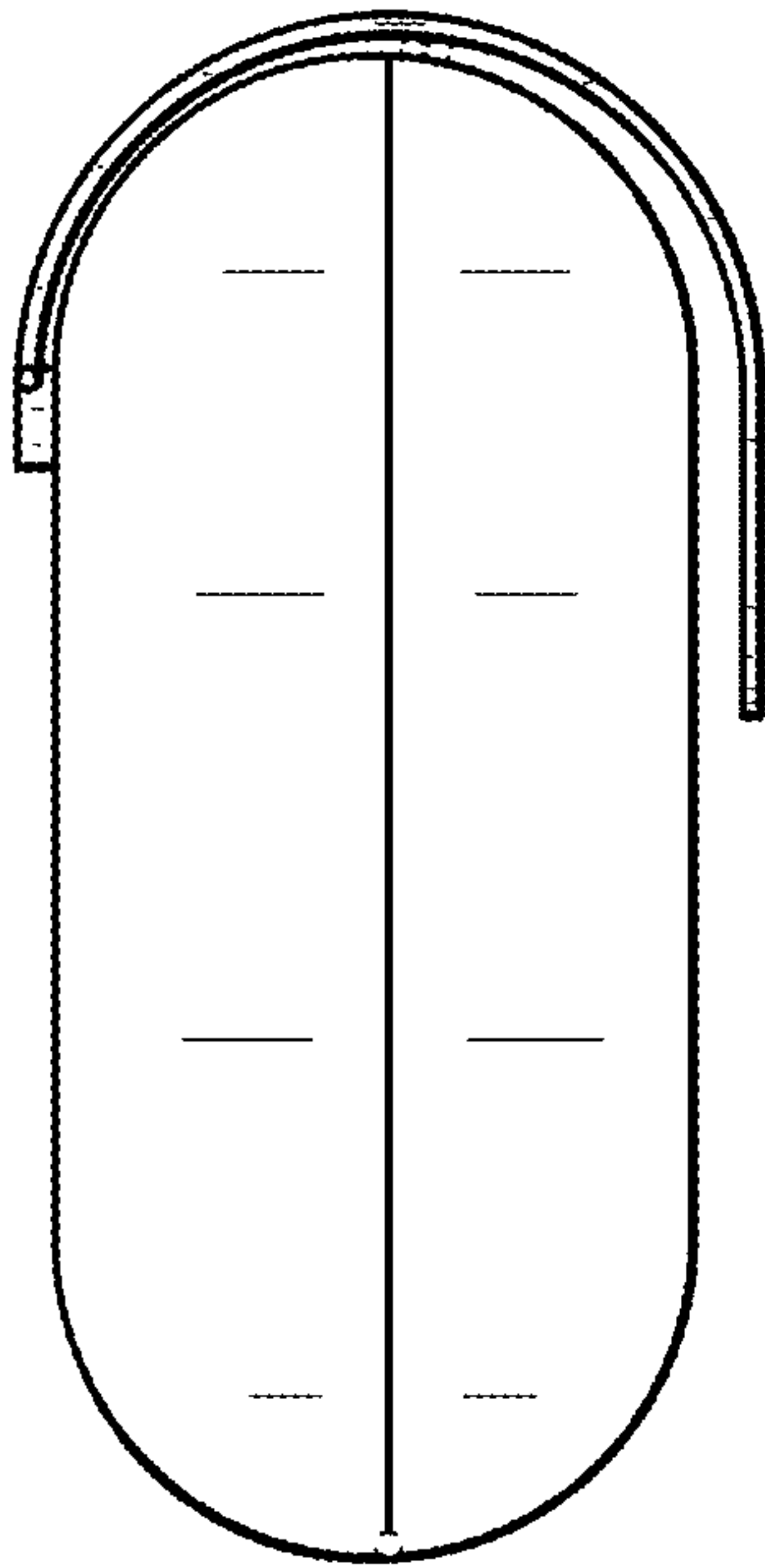


FIG. 5

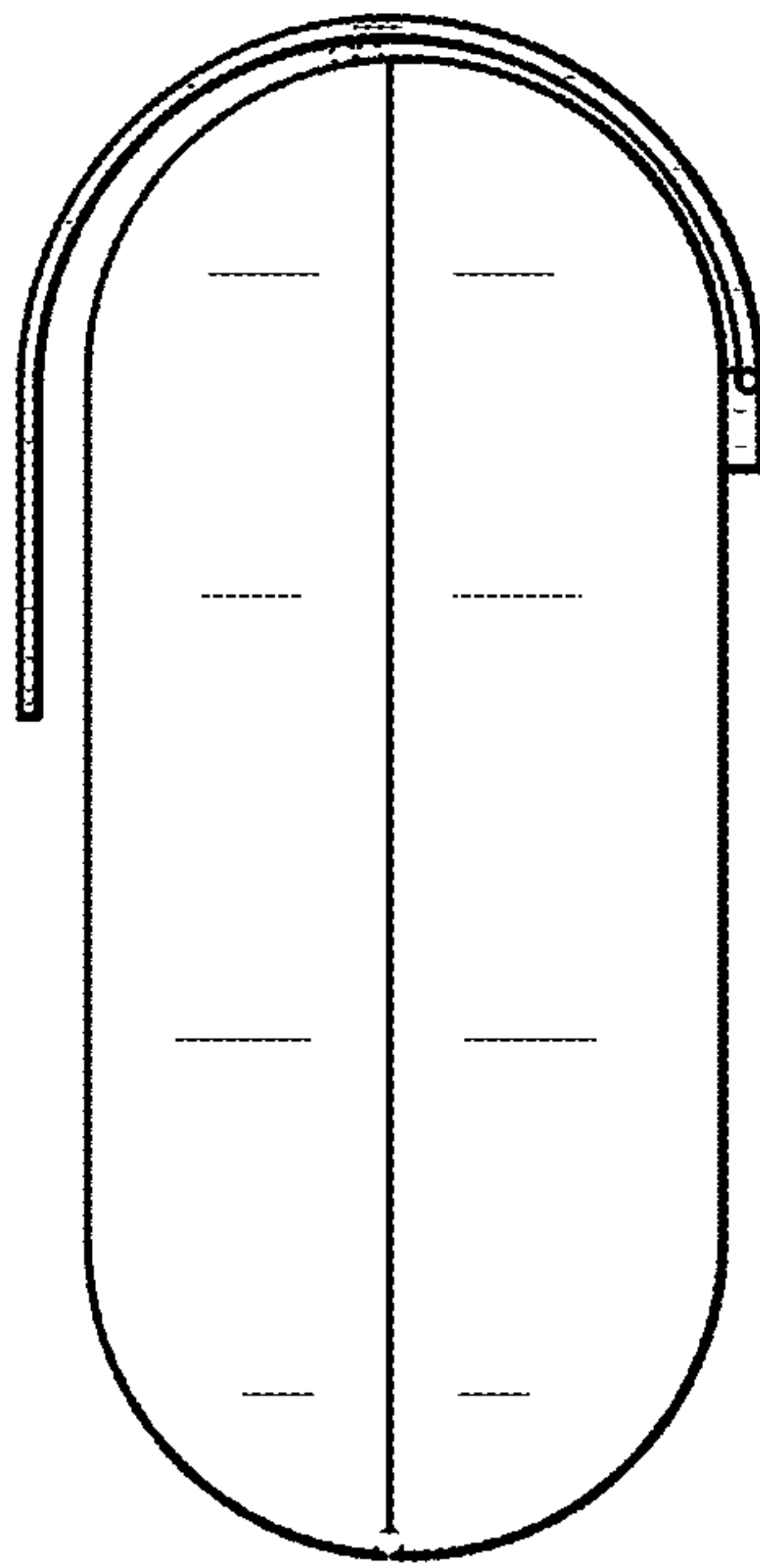


FIG. 6

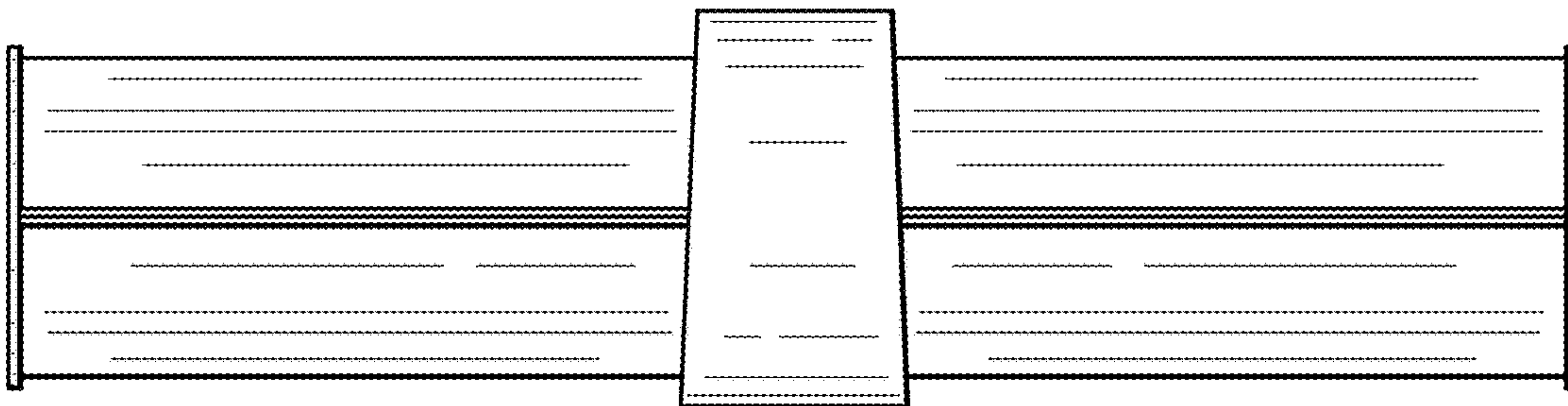


FIG. 7

