



US00D778600S

(12) **United States Design Patent**  
**Heyman**

(10) **Patent No.:** **US D778,600 S**

(45) **Date of Patent:** **\*\* Feb. 14, 2017**

(54) **HANDBAG**

(71) Applicant: **Edie Parker LLC**, New York, NY (US)

(72) Inventor: **Brett Heyman**, New York, NY (US)

(73) Assignee: **Edie Parker LLC**, New York, NY (US)

(\*\*) Term: **15 Years**

(21) Appl. No.: **29/551,368**

(22) Filed: **Jan. 13, 2016**

(51) **LOC (10) Cl.** ..... **03-01**

(52) **U.S. Cl.**  
USPC ..... **D3/243**

(58) **Field of Classification Search**  
USPC ..... D3/232-233, 240-243, 245-246  
CPC ..... A45C 1/024; A45C 3/06  
See application file for complete search history.

(56) **References Cited**

**U.S. PATENT DOCUMENTS**

D723,272 S \* 3/2015 Basha ..... D3/243  
D728,225 S \* 5/2015 McNamara ..... D3/243

\* cited by examiner

*Primary Examiner* — Holly Baynham

(74) *Attorney, Agent, or Firm* — Springut Law PC;  
Milton Springut

(57) **CLAIM**

The ornamental design of a handbag, as shown and described.

**DESCRIPTION**

FIG. 1 is a perspective view thereof.  
FIG. 2 is a front view thereof.  
FIG. 3 is a rear view thereof.  
FIG. 4 is a left side view thereof.  
FIG. 5 is a right side view thereof.  
FIG. 6 is a top view thereof; and,  
FIG. 7 is a bottom view thereof.  
The broken lines showing portions of the handbag are for the purpose of illustrating environment and form no part of the claimed design.

**1 Claim, 7 Drawing Sheets**

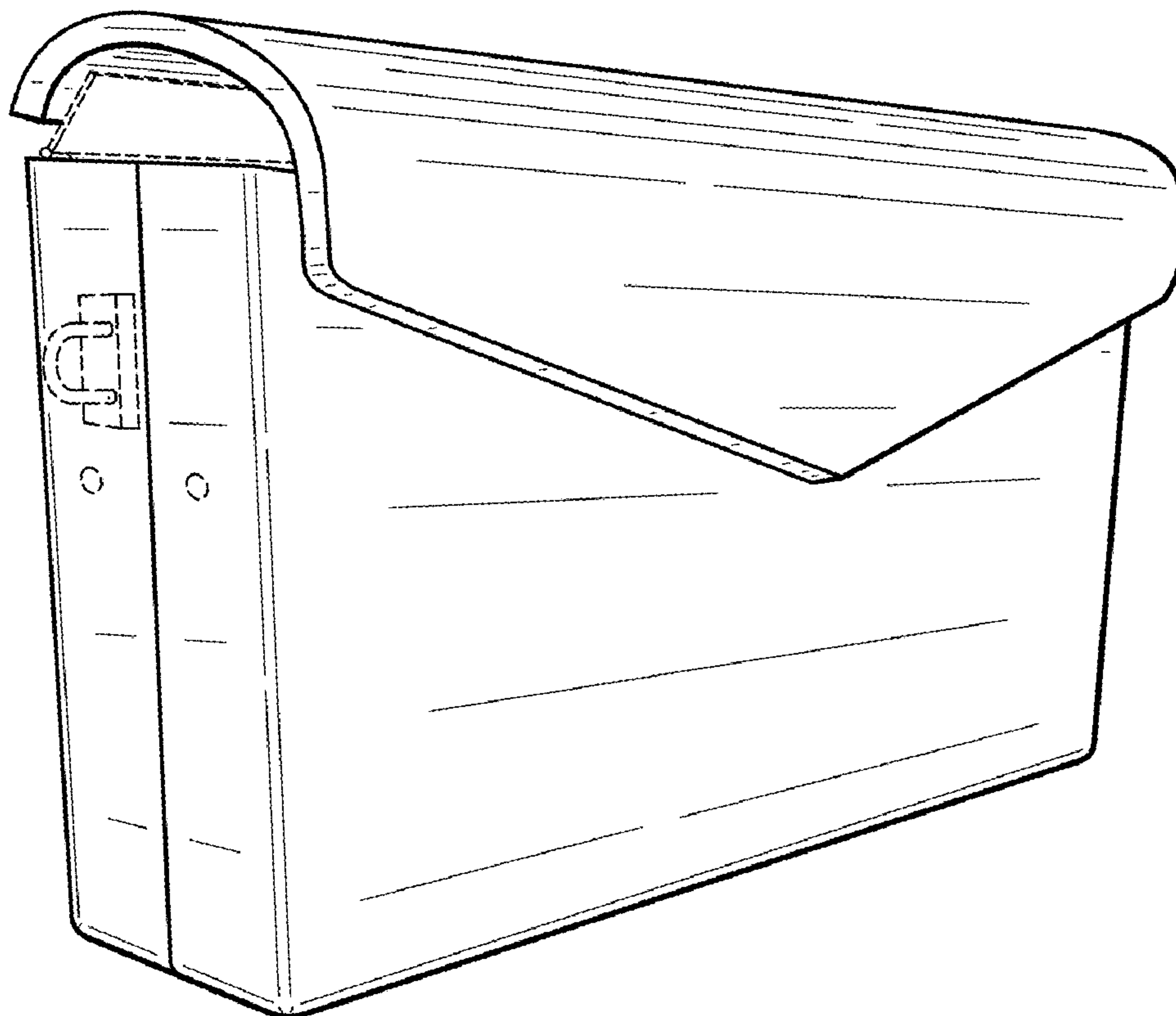


FIG. 1

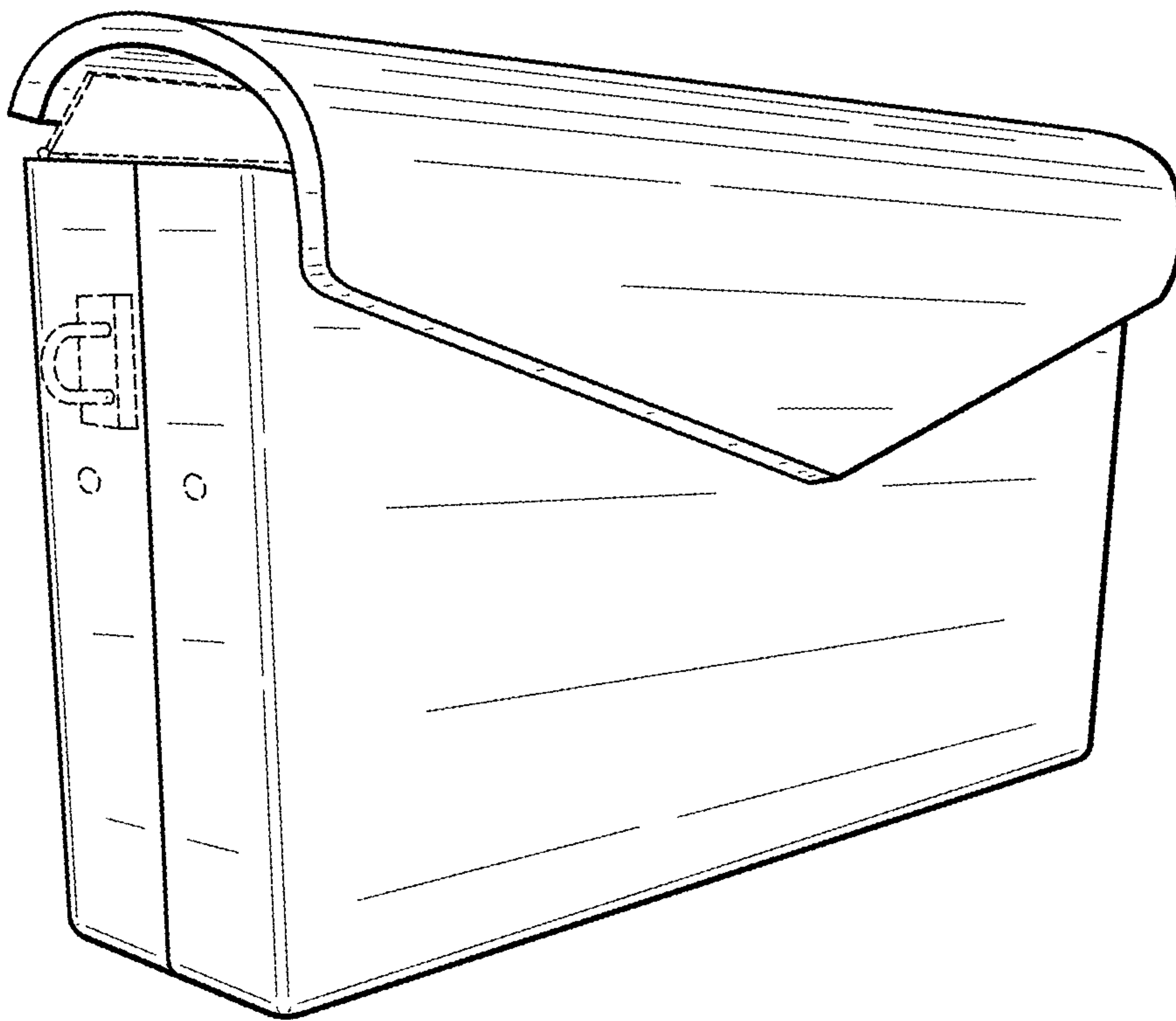


FIG. 2

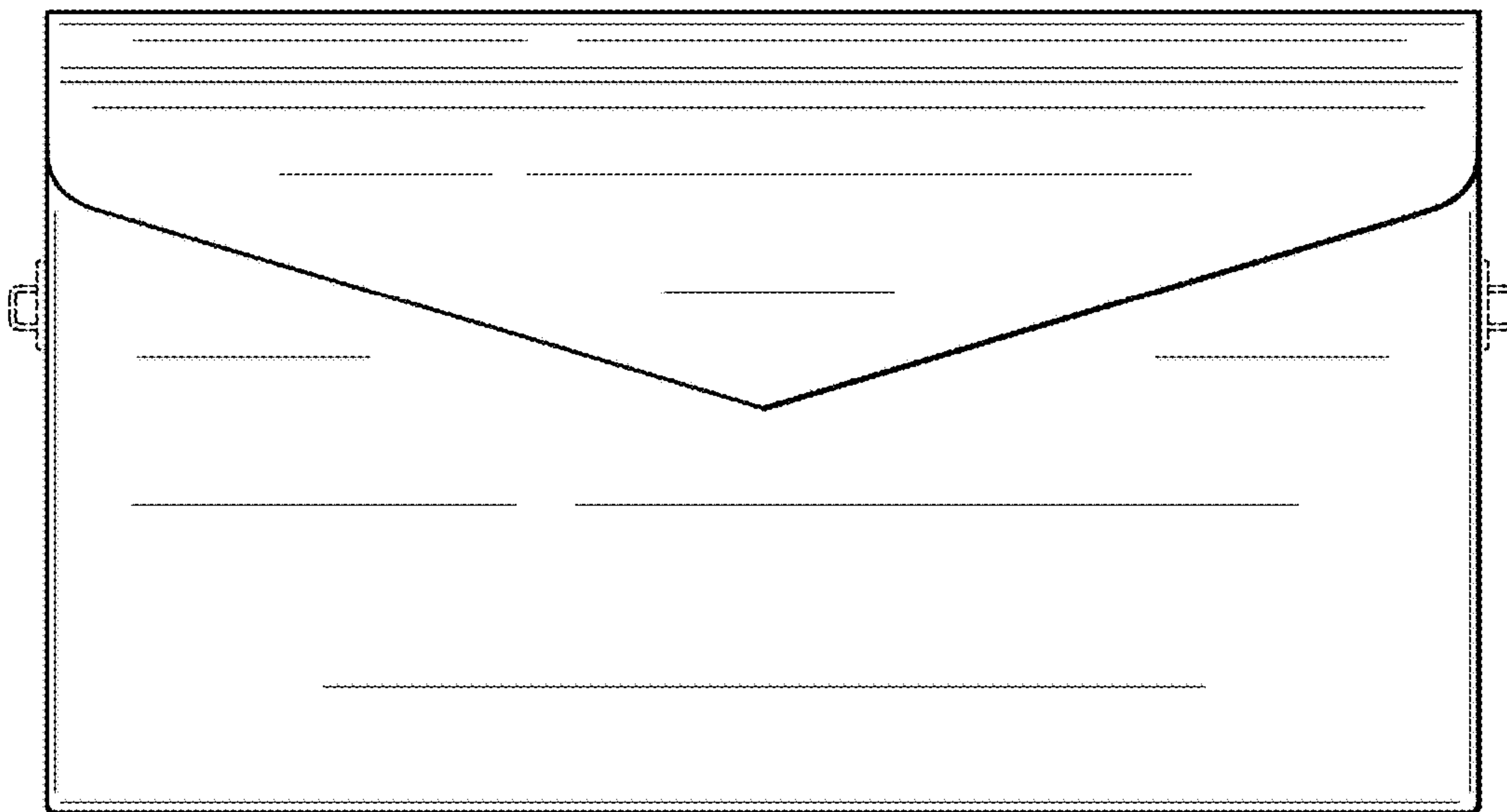


FIG. 3

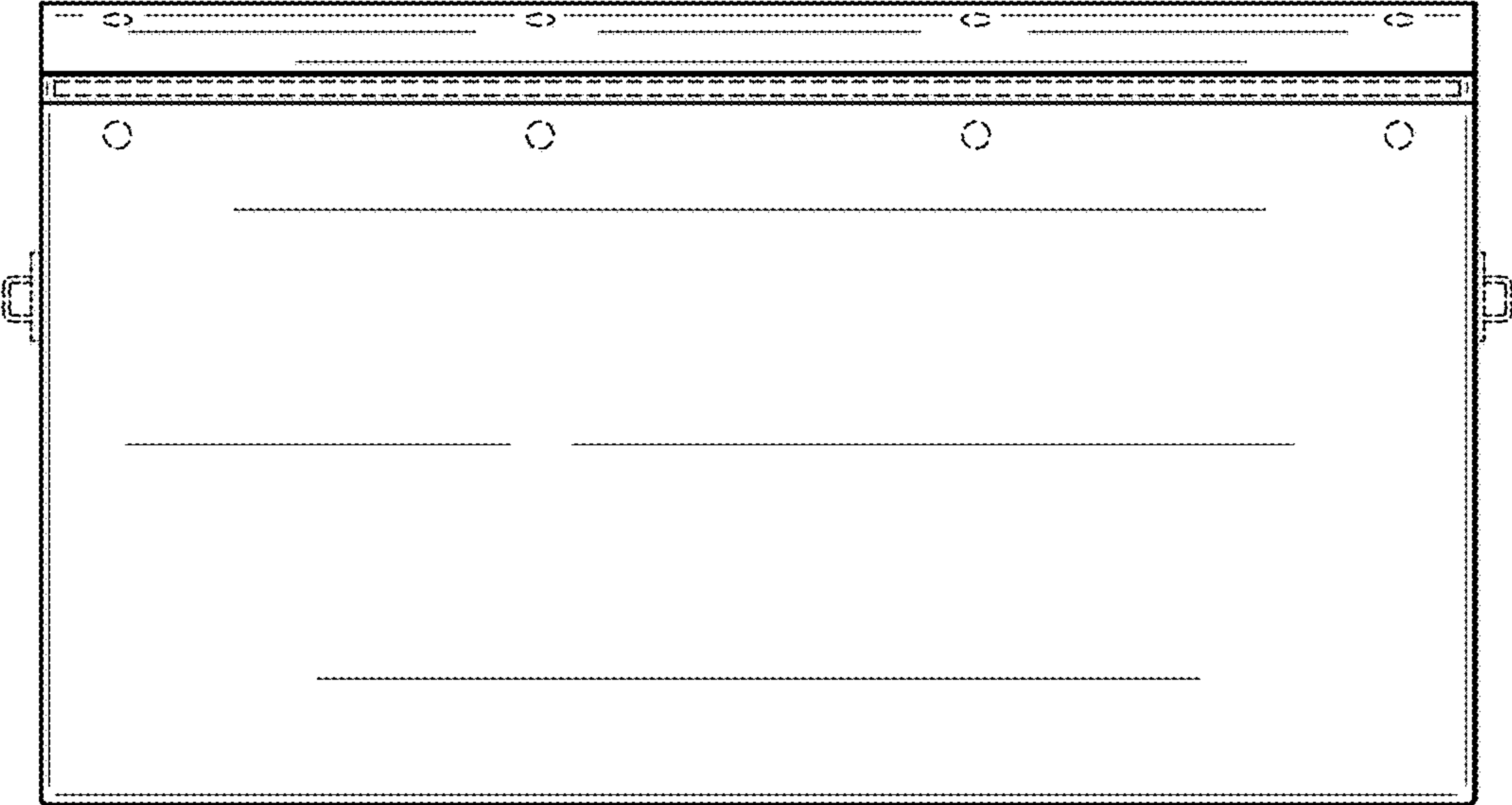


FIG. 4

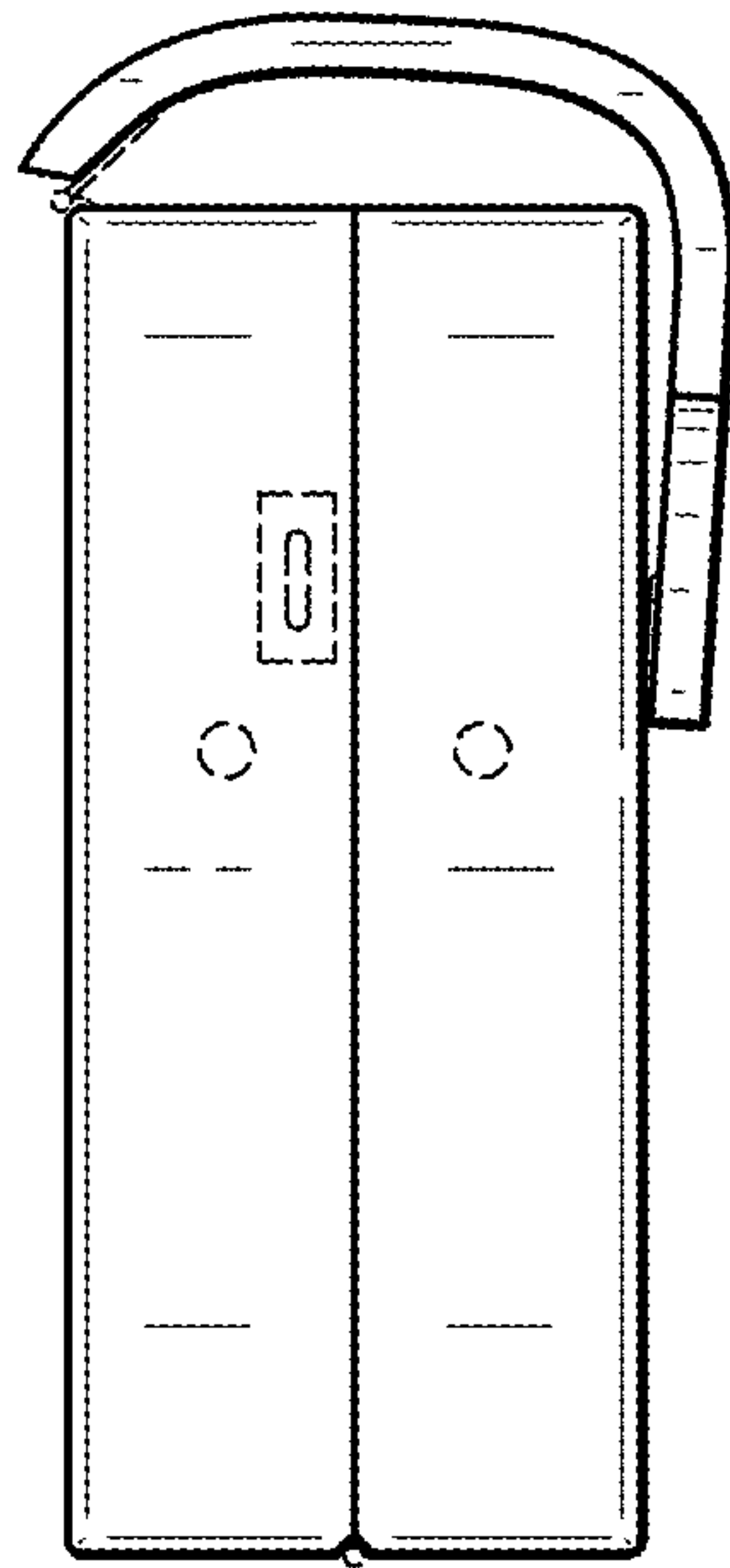


FIG. 5

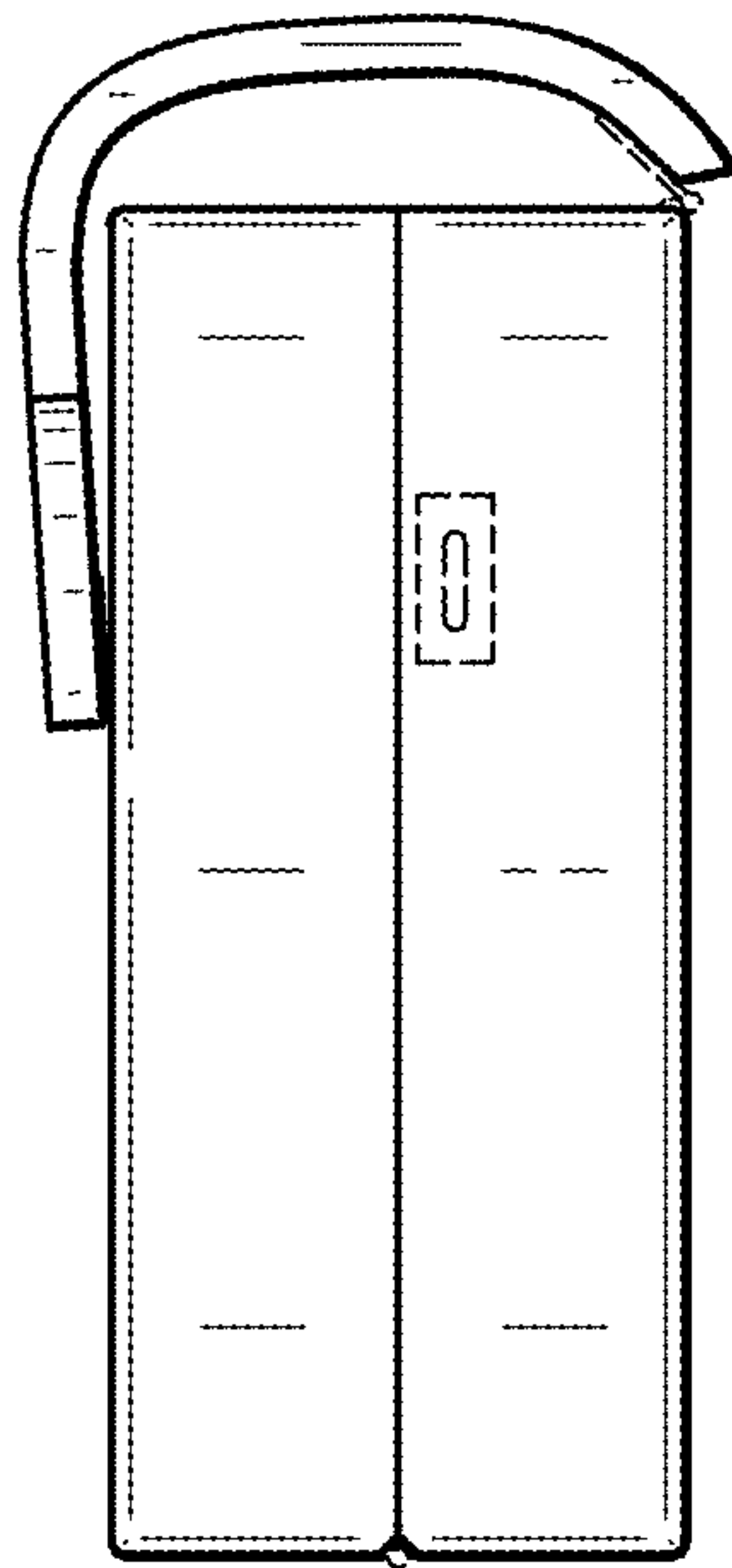


FIG. 6

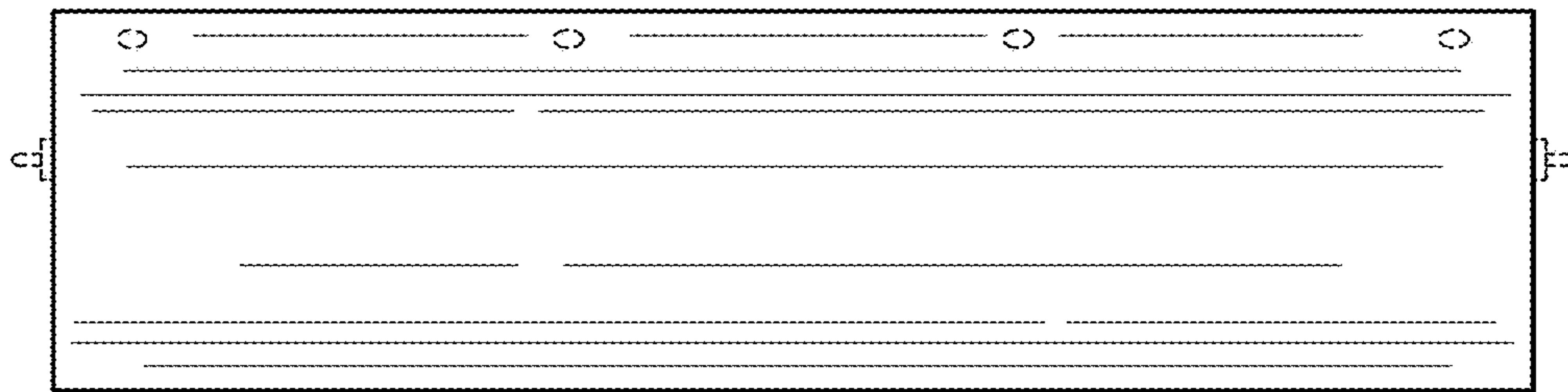


FIG. 7

