



US00D778599S

(12) **United States Design Patent**
Heyman

(10) **Patent No.:** **US D778,599 S**

(45) **Date of Patent:** **** Feb. 14, 2017**

(54) **HANDBAG**

(71) Applicant: **Edie Parker LLC**, New York, NY (US)

(72) Inventor: **Brett Heyman**, New York, NY (US)

(73) Assignee: **Edie Parker LLC**, New York, NY (US)

(**) Term: **15 Years**

(21) Appl. No.: **29/547,766**

(22) Filed: **Dec. 7, 2015**

(51) **LOC (10) Cl.** **03-01**

(52) **U.S. Cl.**
USPC **D3/243**

(58) **Field of Classification Search**
USPC D3/232, 233, 240-243, 245-246
CPC A45C 3/06; A45C 1/024
See application file for complete search history.

(56) **References Cited**

U.S. PATENT DOCUMENTS

- 2,023,144 A * 12/1935 Miller A45C 3/08
150/105
- D131,562 S * 3/1942 Lewis D3/241

- D139,076 S * 10/1944 Morris D3/241
- D165,240 S * 11/1951 Pichel D3/241
- D284,136 S * 6/1986 Katz D3/289
- D323,066 S * 1/1992 Kim D3/289

* cited by examiner

Primary Examiner — Holly Baynham

(74) *Attorney, Agent, or Firm* — Springut Law PC;
Milton Springut

(57) **CLAIM**

The ornamental design of a handbag, as shown and described.

DESCRIPTION

FIG. 1 is a perspective view thereof.
FIG. 2 is a front view thereof.
FIG. 3 is a rear view thereof.
FIG. 4 is a left side view thereof.
FIG. 5 is a right side view thereof.
FIG. 6 is a top view thereof; and,
FIG. 7 is a bottom view thereof.

The broken lines showing the side hooks, a pair of openings and the hinge are for the purposes of illustrating environment and forms no part of the claimed design.

1 Claim, 4 Drawing Sheets

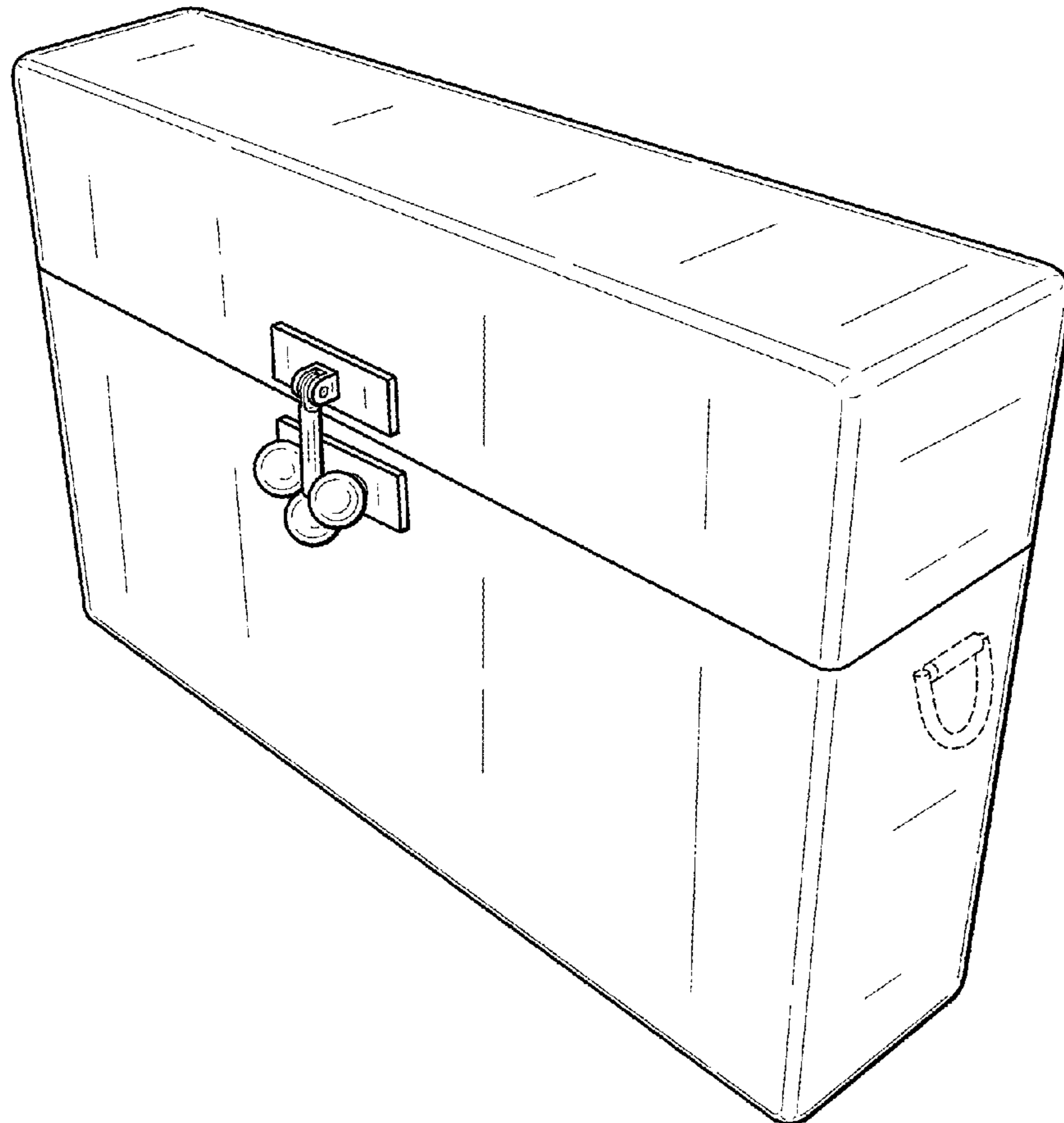


FIG. 1

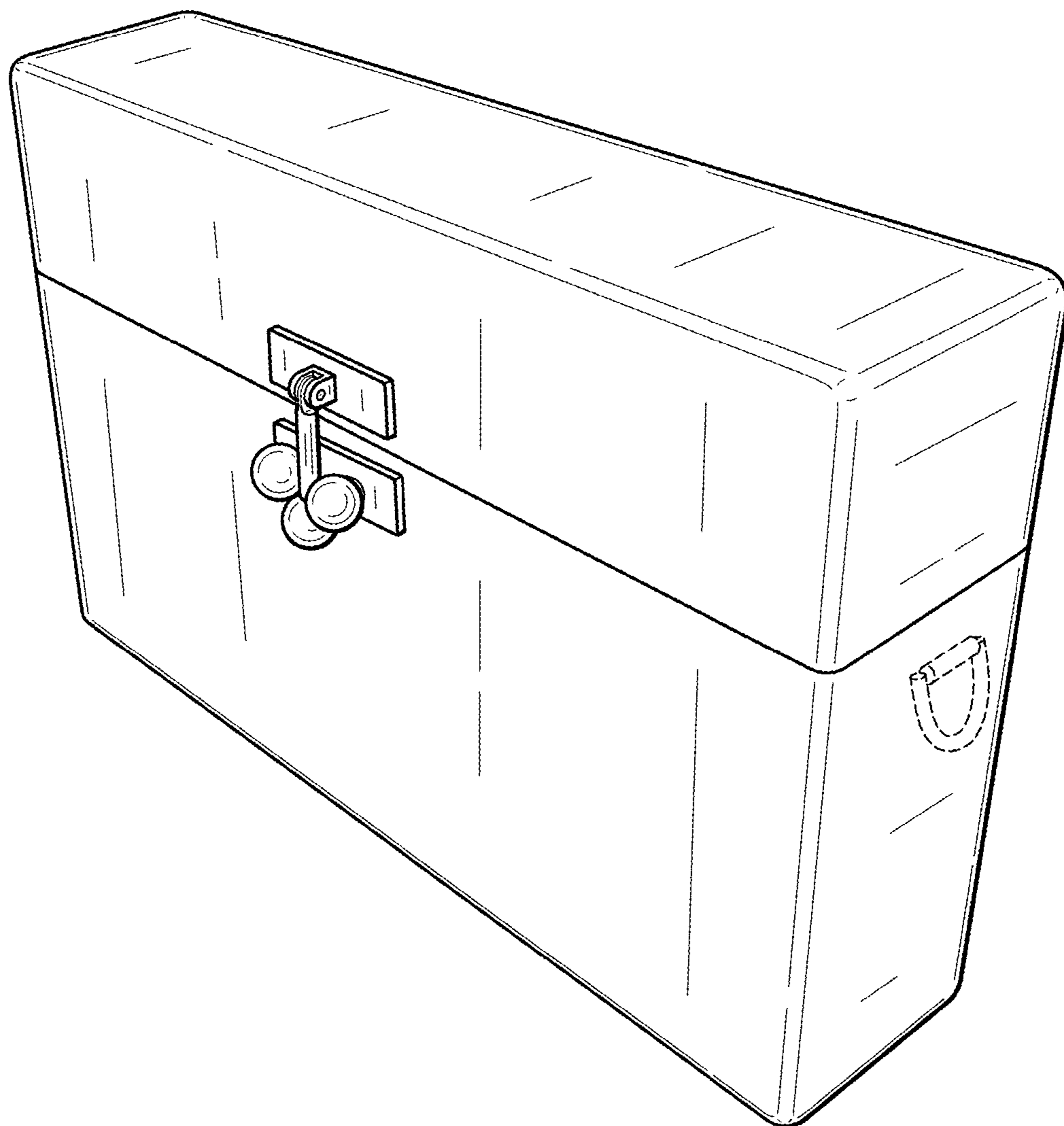


FIG. 2

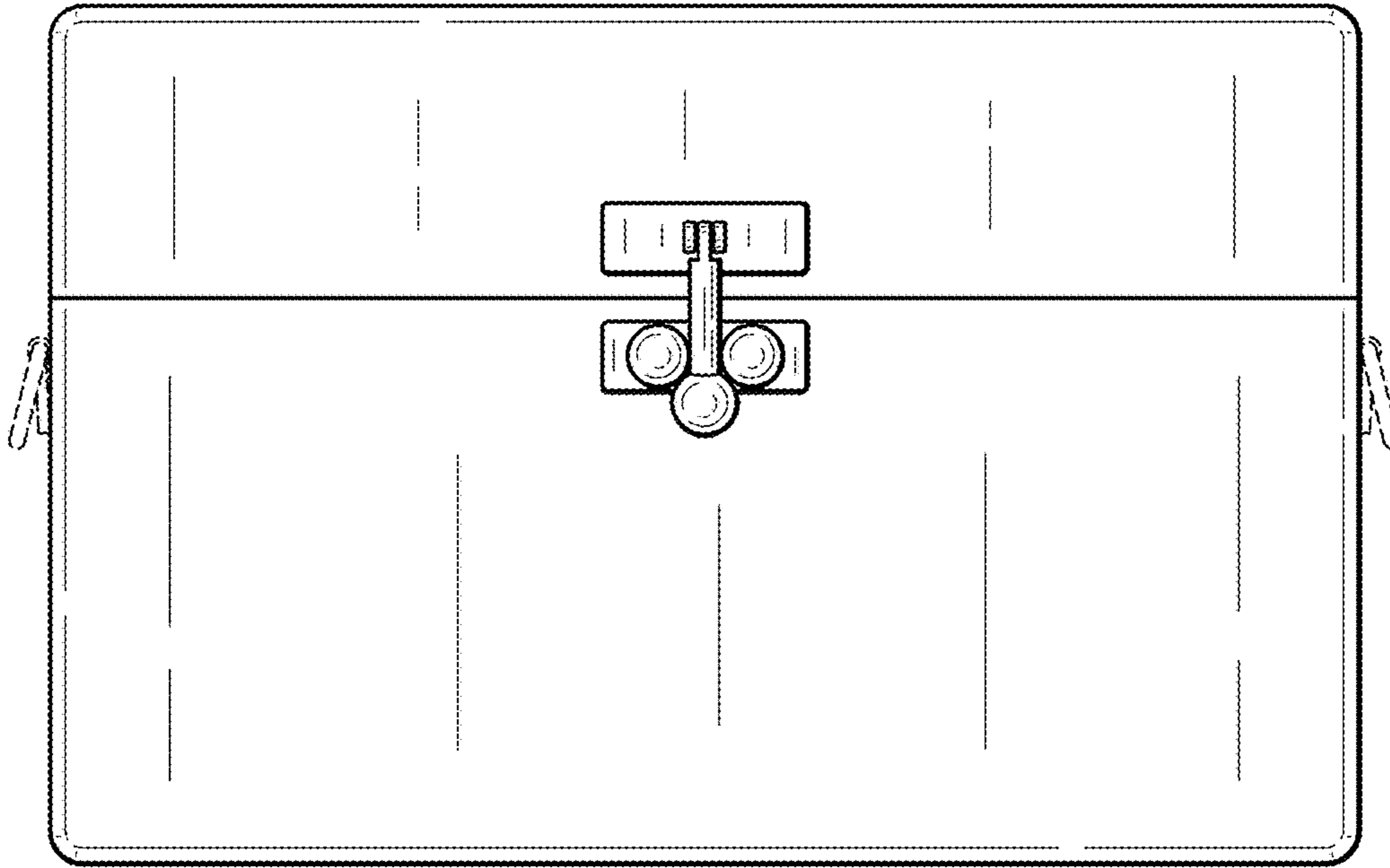


FIG. 3

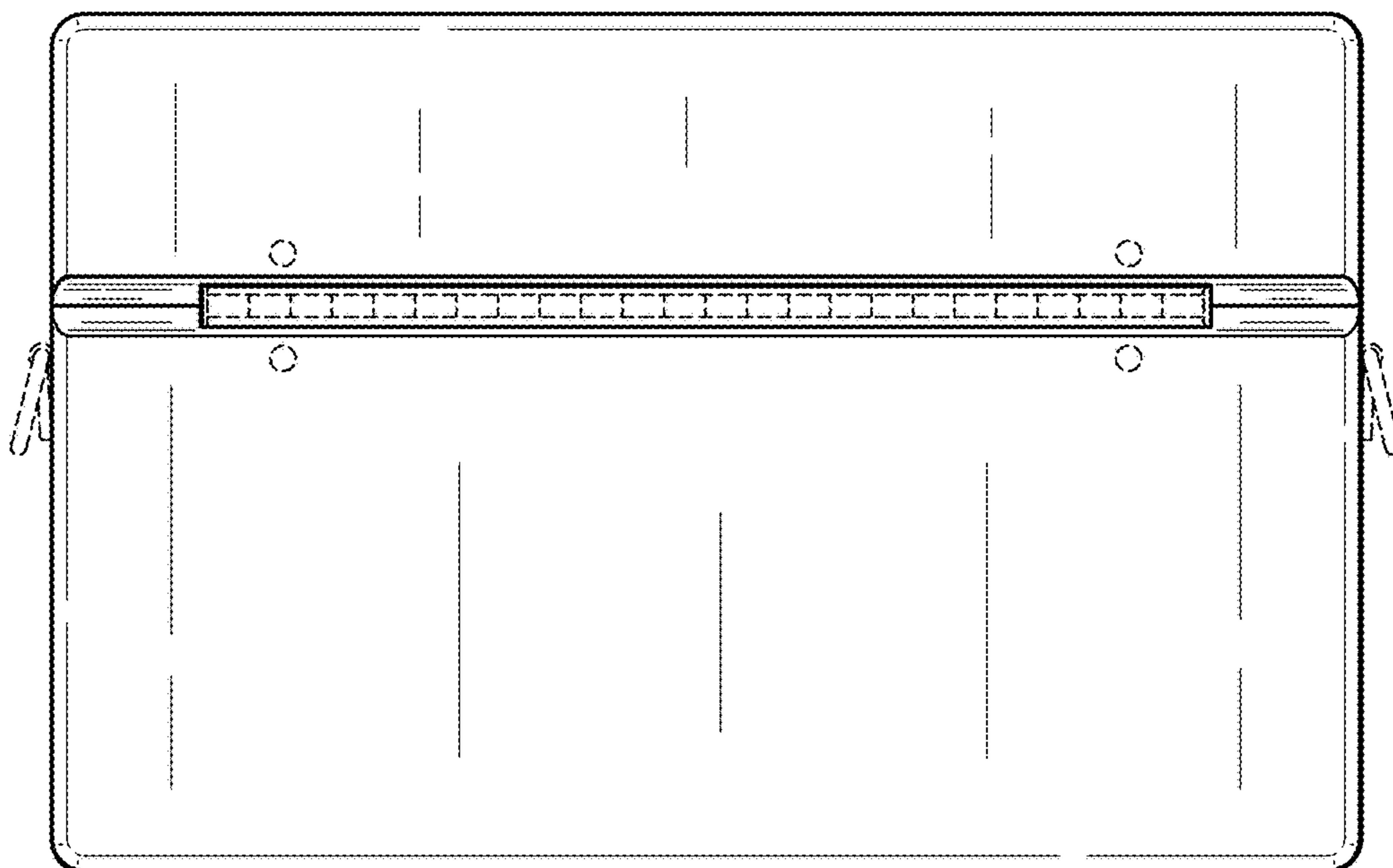


FIG. 4

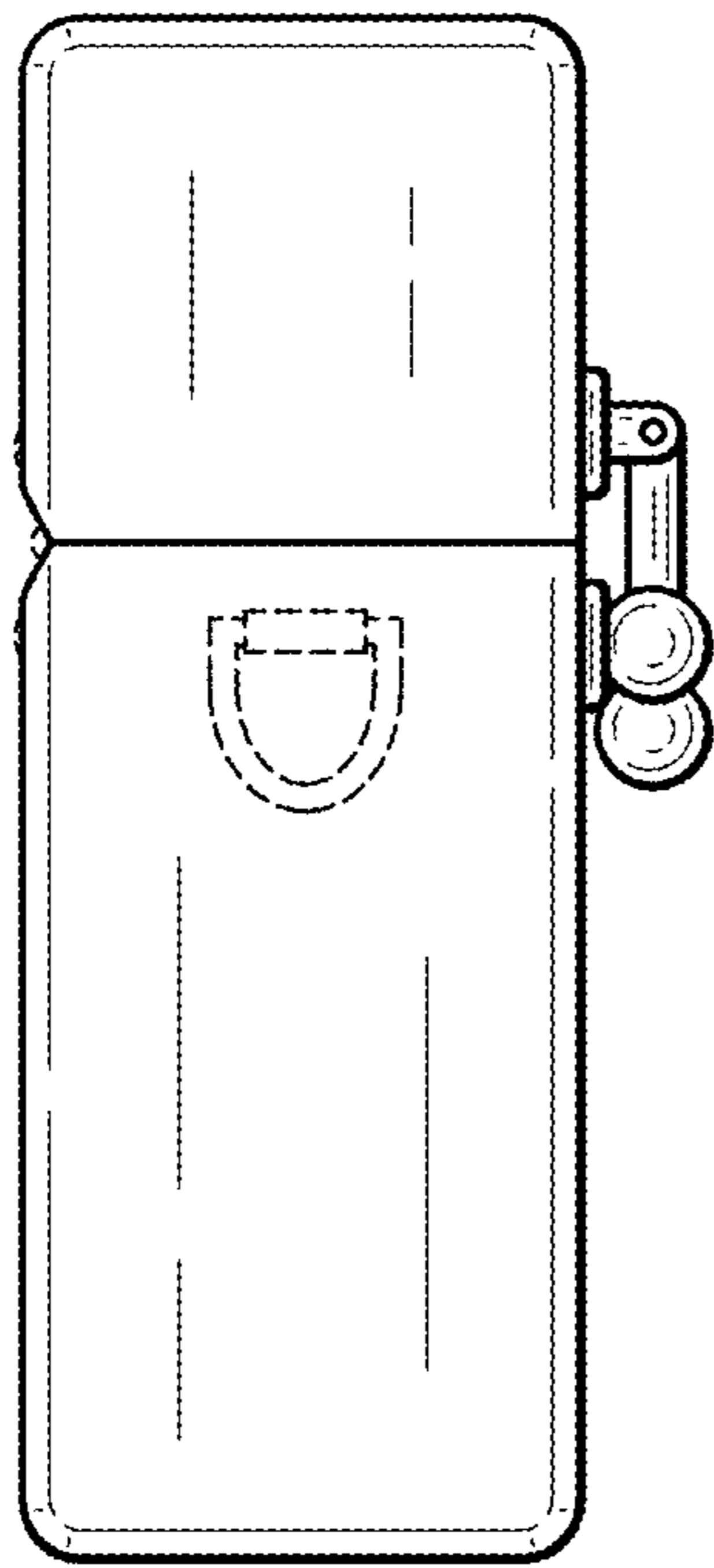


FIG. 5

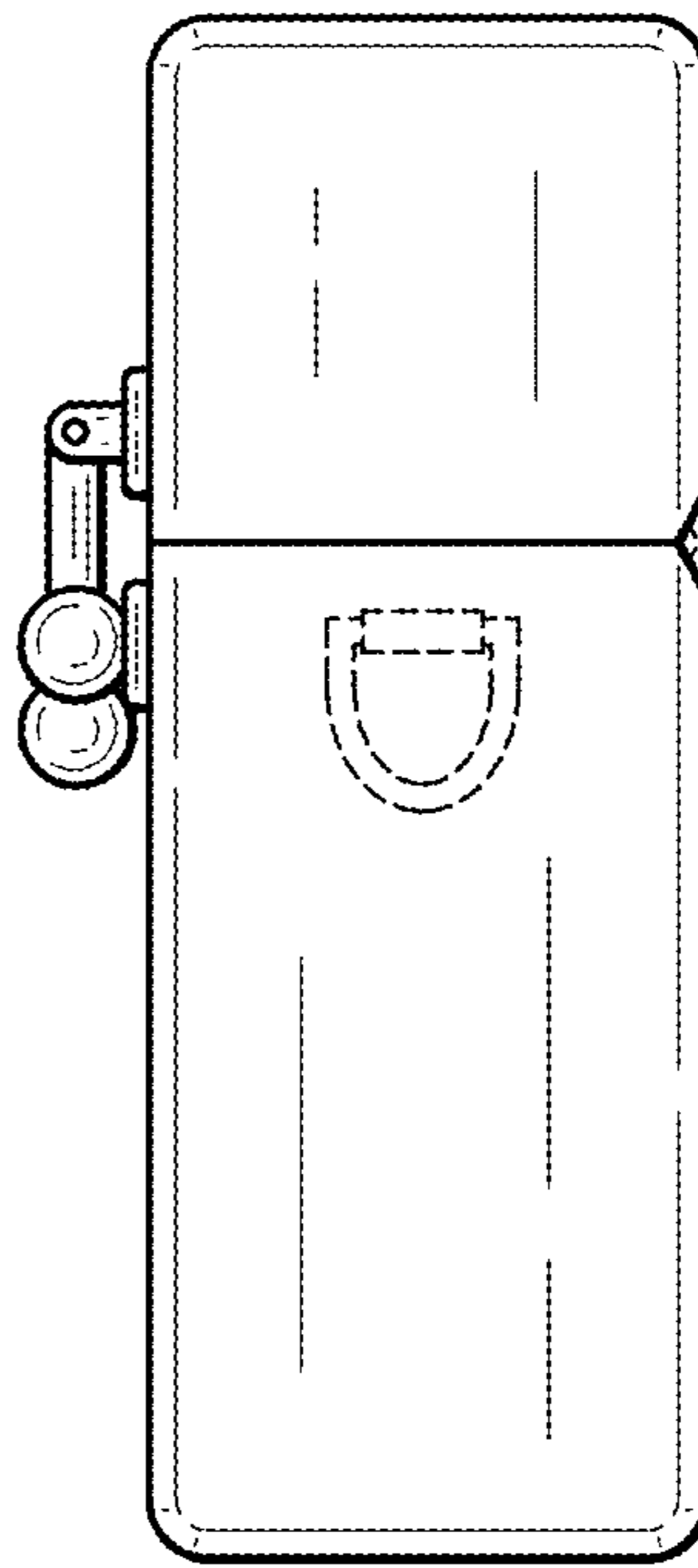


FIG. 6

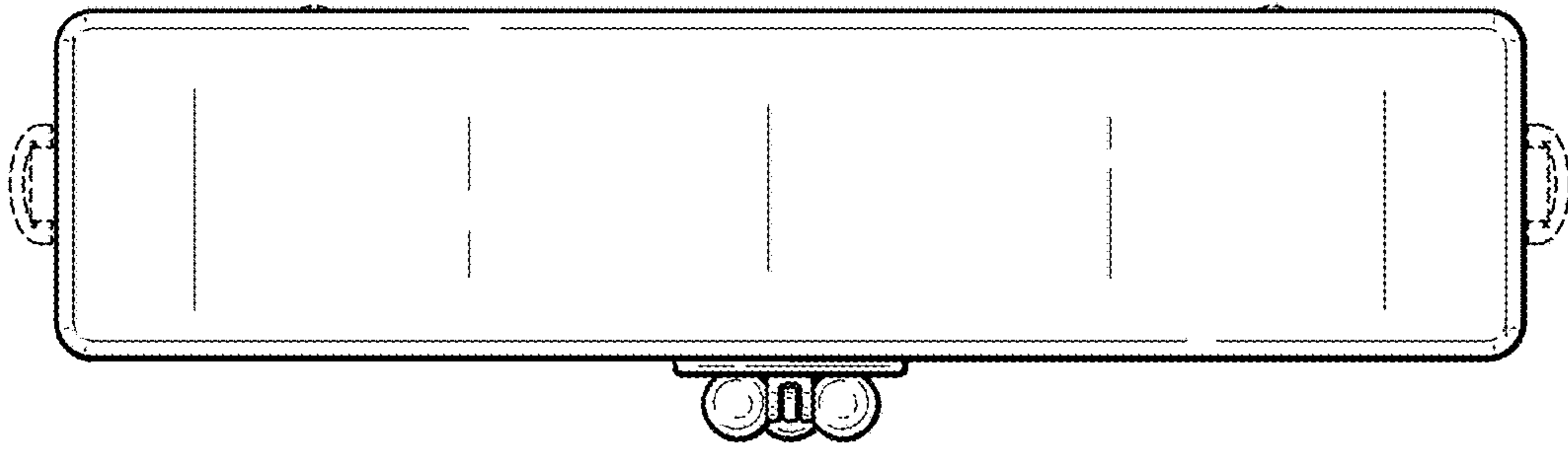


FIG. 7

