



US00D778598S

(12) **United States Design Patent** (10) **Patent No.:** **US D778,598 S**  
**Brown** (45) **Date of Patent:** **\*\* Feb. 14, 2017**

(54) **BRECARDS BAG**

D610,346 S \* 2/2010 Eriksen ..... D3/247  
D615,296 S \* 5/2010 Bassee ..... D3/232

(71) Applicant: **Carla Ann Brown**, New Orleans, LA (US)

\* cited by examiner

(72) Inventor: **Carla Ann Brown**, New Orleans, LA (US)

*Primary Examiner* — Holly Baynham

(73) Assignee: **Carla A. Brown**, New Orleans, LA (US)

(57) **CLAIM**

(\*\*) Term: **14 Years**

I claim, the ornamental design for breccards bag, as shown as in 3 figures.

(21) Appl. No.: **29/474,205**

(22) Filed: **Aug. 11, 2014**

**DESCRIPTION**

(51) **LOC (10) Cl.** ..... **03-01**

(52) **U.S. Cl.**  
USPC ..... **D3/232**

(58) **Field of Classification Search**  
USPC ..... D3/232–233, 240–243, 245–246  
CPC ..... A45C 1/06; A45C 3/08  
See application file for complete search history.

FIG. 1: Front view of the breccards bag without the adjustable strap attached.

FIG. 2: Inside view of the breccards bag without the adjustable strap attached that includes 2 compartments and inside hooks.

FIG. 3: Perspective view of the adjustable strap detached from the breccards bag; and,

FIG. 4: Front view of the breccards bag with the adjustable strap attached.

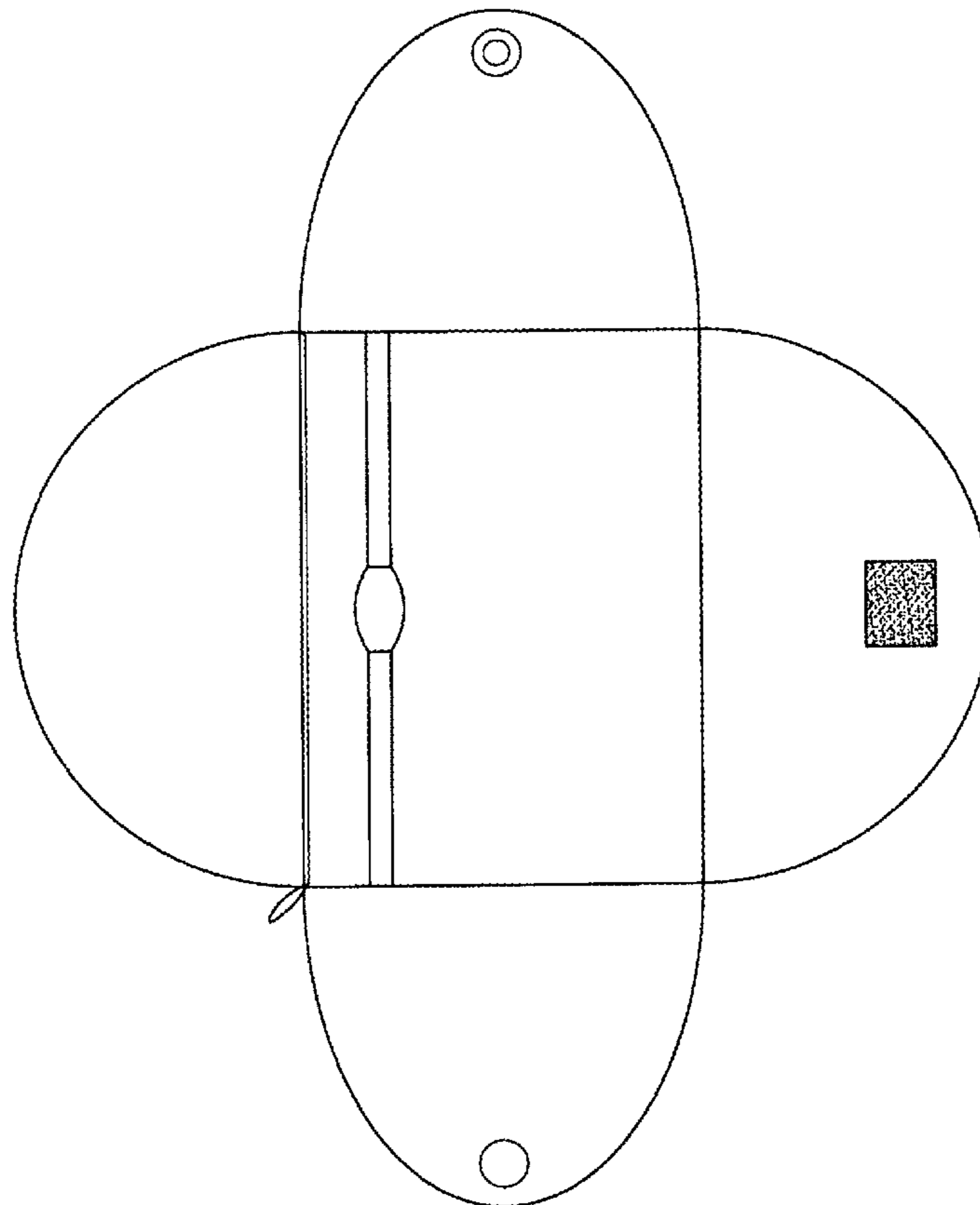
The adjustable strap is shown detached for the bag for clarity and ease of illustration on separate sheets.

(56) **References Cited**

U.S. PATENT DOCUMENTS

D414,033 S \* 9/1999 Rohm ..... D3/201  
D544,711 S \* 6/2007 Mundy ..... D3/247

**1 Claim, 4 Drawing Sheets**



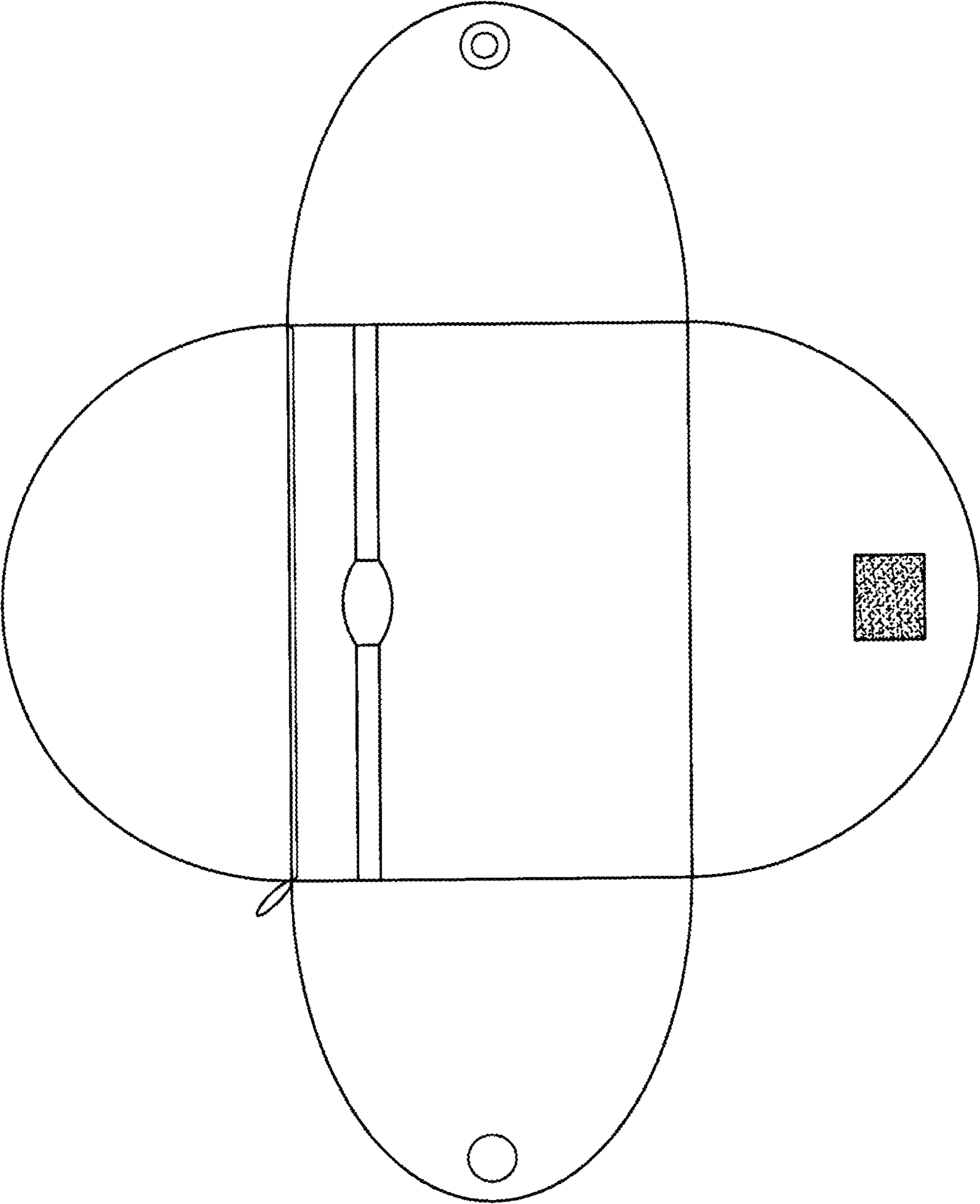


Fig 1

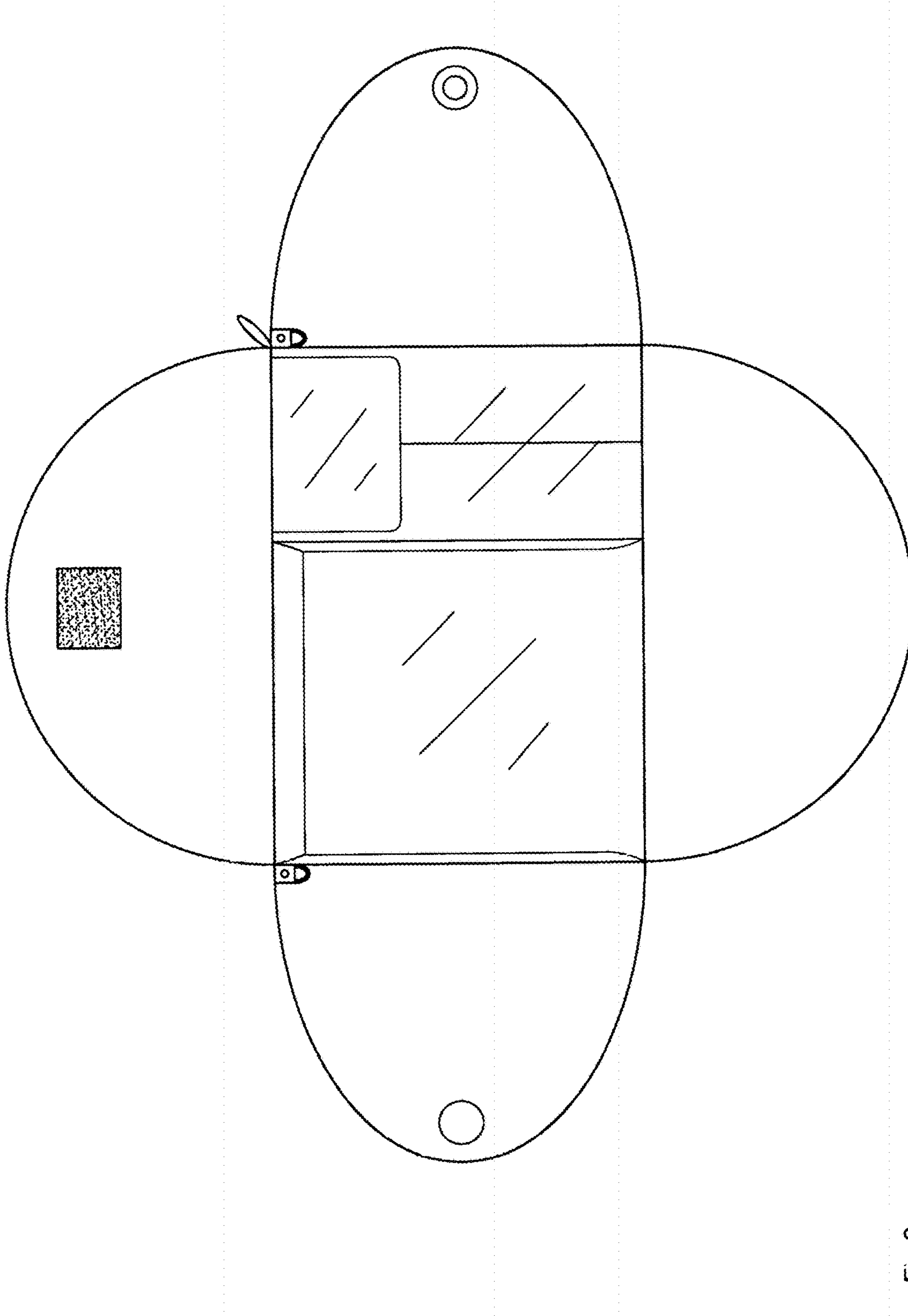


Fig 2

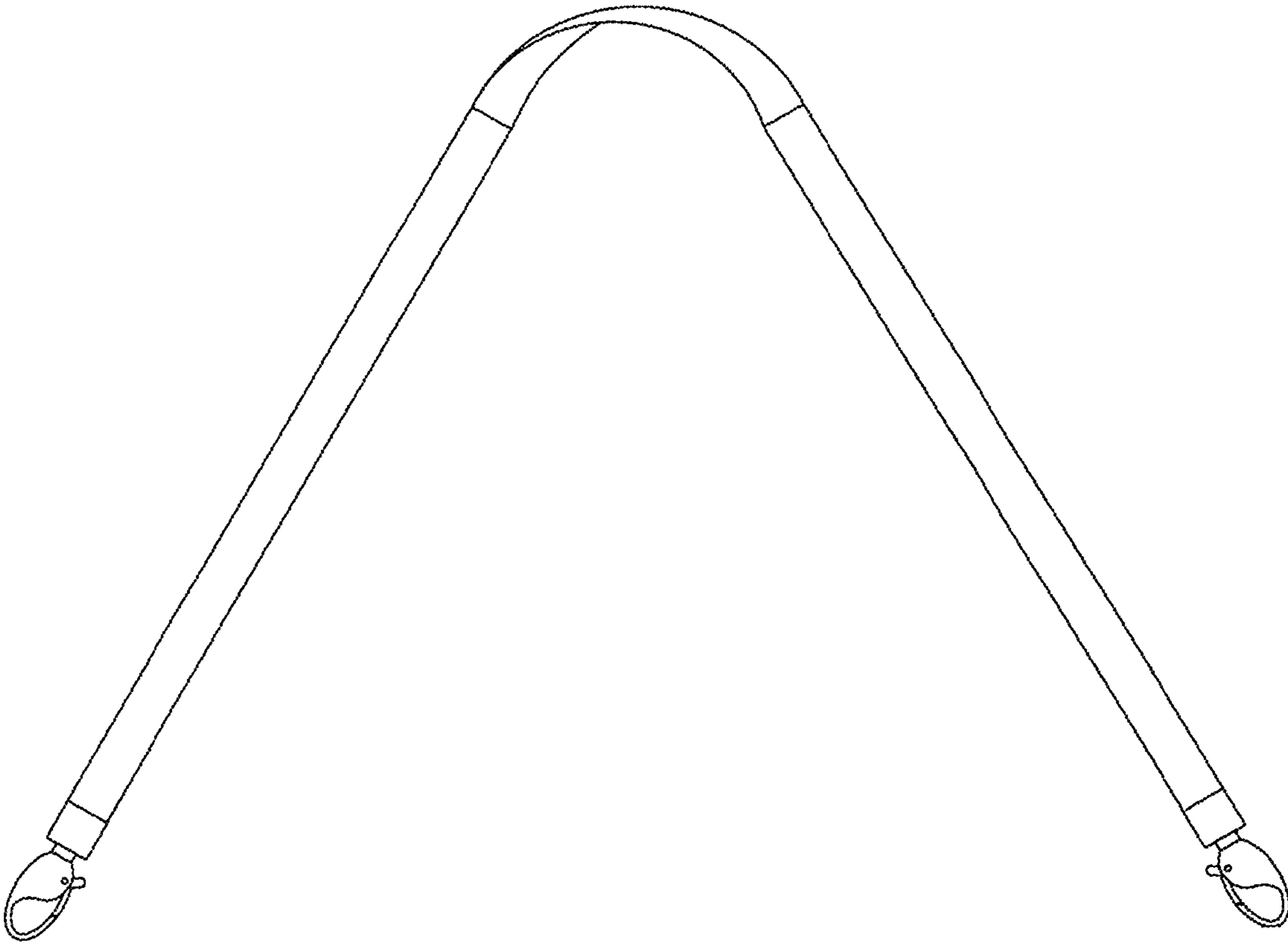


Fig 3

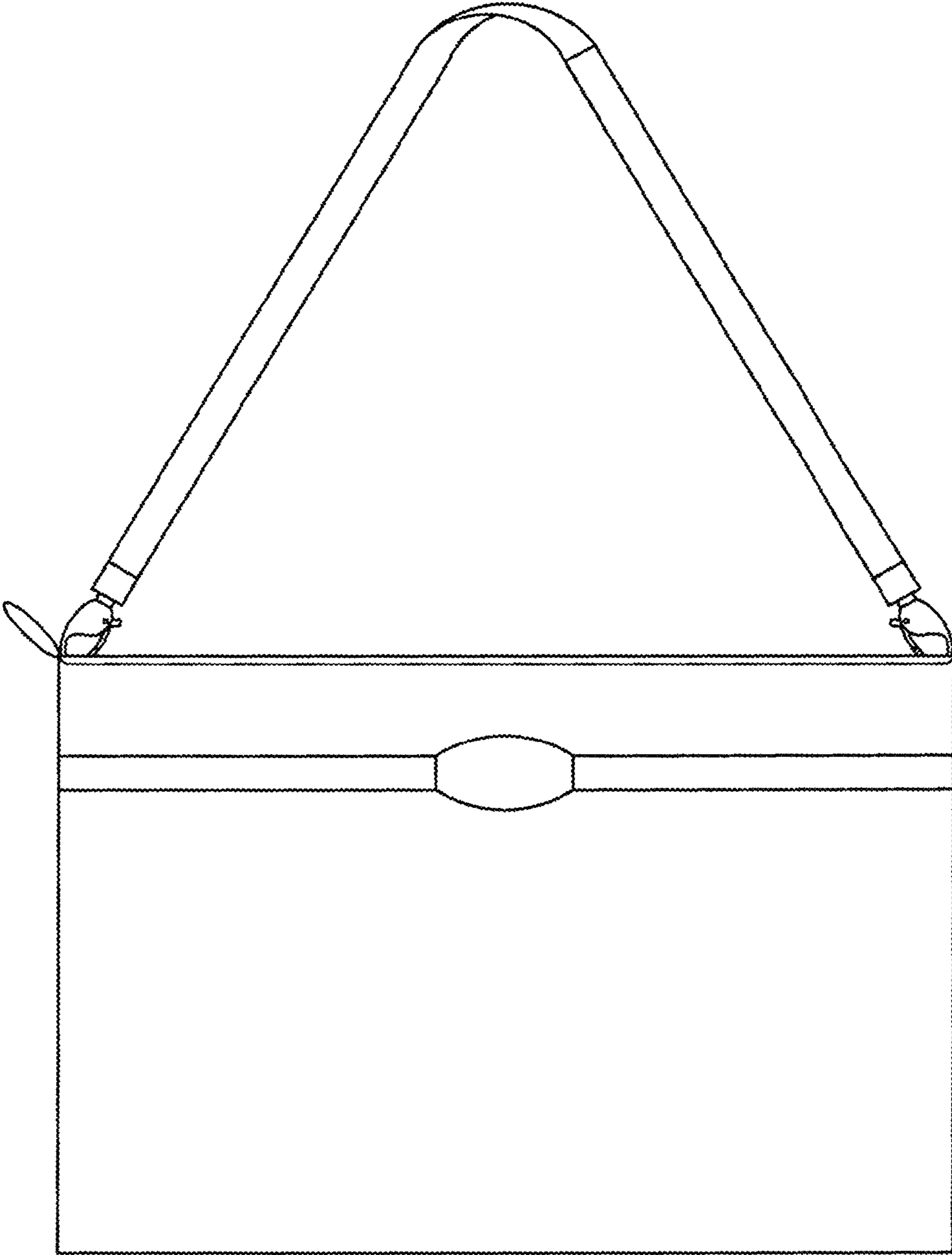


Fig 4