



US00D778597S

(12) **United States Design Patent** (10) **Patent No.:** **US D778,597 S**
Lynch et al. (45) **Date of Patent:** **** Feb. 14, 2017**

(54) **HANGING BEVERAGE HOLDER**
(71) Applicant: **Hands Off Concepts, LLC**, Gastonia, NC (US)
(72) Inventors: **Stephen E. Lynch**, Gastonia, NC (US); **Timothy A. Grooms**, Gastonia, NC (US)
(73) Assignee: **HANDS OFF CONCEPTS, LLC**, Gastonia, NC (US)
(**) Term: **15 Years**
(21) Appl. No.: **29/537,776**
(22) Filed: **Aug. 28, 2015**
(51) **LOC (10) Cl.** **03-01**
(52) **U.S. Cl.**
USPC **D3/229**
(58) **Field of Classification Search**
USPC D3/229, 215, 202; 224/148.1, 148.4, 224/148.6, 148.7, 257, 270, 482, 547, 224/560, 564, 568, 901.4; D7/619.1, D7/619.2, 620, 622; 248/205.2, 311.2
CPC A45F 3/02; A45F 3/16; A45F 5/00; A45F 5/02; A45F 5/021; A45F 2005/006; A45F 2200/0583; B60N 3/103; B60N 3/107
See application file for complete search history.

Primary Examiner — Catheri Oliver-Garcia
(74) *Attorney, Agent, or Firm* — Trego, Hines & Ladenheim, PLLC

(57) **CLAIM**

We claim the ornamental design for a hanging beverage holder, as shown and described.

DESCRIPTION

FIG. 1 is a perspective view of a hanging beverage holder, showing a first embodiment of our new design;
FIG. 2 is a front elevational view of the hanging beverage holder of FIG. 1;
FIG. 3 is a rear elevational view of the hanging beverage holder of FIG. 1;
FIG. 4 is a right side elevational view of the hanging beverage holder of FIG. 1;
FIG. 5 is a left side elevational view of the hanging beverage holder of FIG. 1;
FIG. 6 is a top plan view of the hanging beverage holder of FIG. 1;
FIG. 7 is a bottom plan view of the hanging beverage holder of FIG. 1;
FIG. 8 is a perspective view of the hanging beverage holder, showing a second embodiment of our new design;
FIG. 9 is a front elevational view of the hanging beverage holder of FIG. 8;
FIG. 10 is a rear elevational view of the hanging beverage holder of FIG. 8;
FIG. 11 is a right side elevational view of the hanging beverage holder of FIG. 8;
FIG. 12 is a left side elevational view of the hanging beverage holder of FIG. 8;
FIG. 13 is a top plan view of the hanging beverage holder of FIG. 8; and,
FIG. 14 is a bottom plan view of the hanging beverage holder of FIG. 8.
The broken lines shown in the figures are for environmental purposes only and form no part of the claimed design.

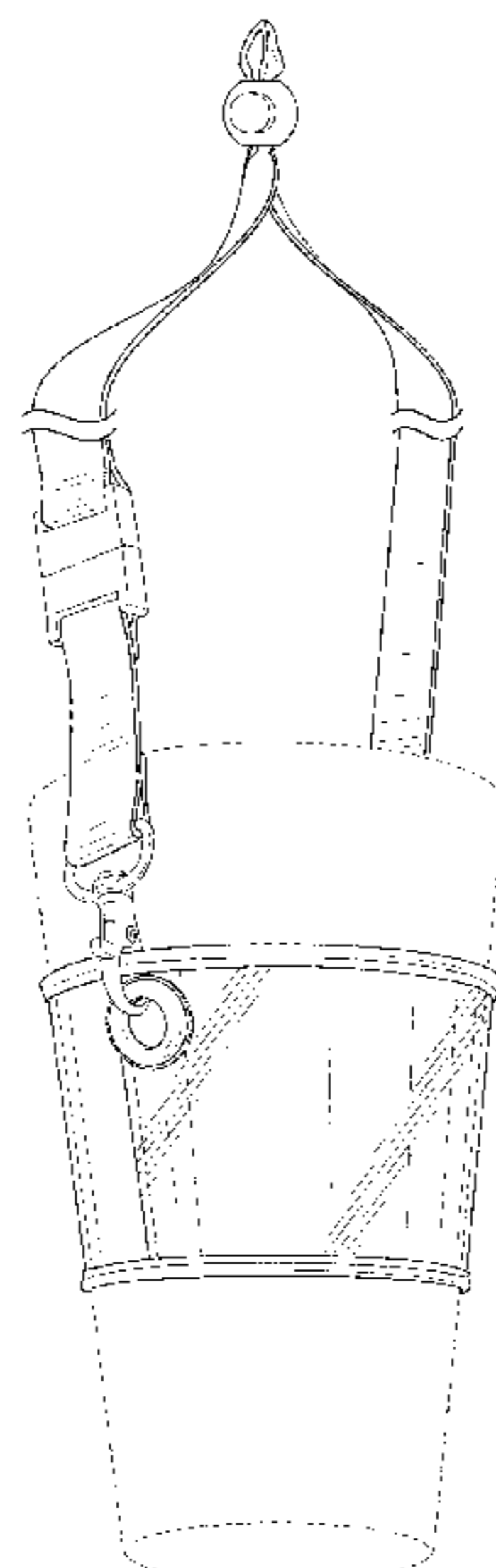
(56) **References Cited**

U.S. PATENT DOCUMENTS

D217,828 S *	6/1970	Hilliard	224/148.6
D227,043 S	5/1973	Van Den Berg		
D259,063 S	4/1981	Manikas		
D304,143 S	10/1989	Dennis		
D304,890 S	12/1989	Canaan		
4,993,611 A	2/1991	Longo		
D320,330 S	10/1991	Stoick		

(Continued)

1 Claim, 14 Drawing Sheets



(56)

References Cited

U.S. PATENT DOCUMENTS

D347,766	S	*	6/1994	Kalat	D3/229
5,390,838	A		2/1995	Jafarkhani	
5,407,110	A		4/1995	Marsh, Jr.	
5,454,497	A		10/1995	Kettelson	
D378,022	S	*	2/1997	Chen	D3/229
D379,119	S	*	5/1997	Wolfe	D3/229
5,913,463	A		6/1999	Carr	
D454,283	S		3/2002	Kilgore	
D474,887	S		5/2003	Forster	
D543,790	S		6/2007	Szymanski	
D625,513	S		10/2010	Carnes et al.	
D714,555	S	*	10/2014	Feder	D3/202
9,010,591	B2	*	4/2015	Paulitsch	A45F 5/00 224/148.6

* cited by examiner

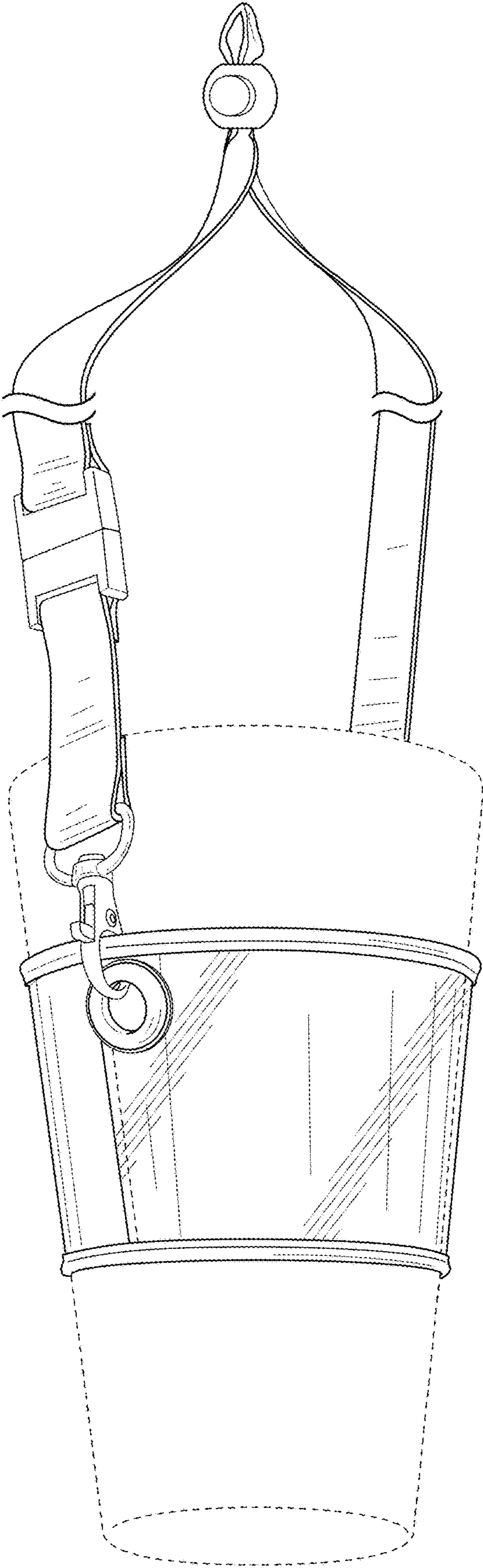


FIG. 1

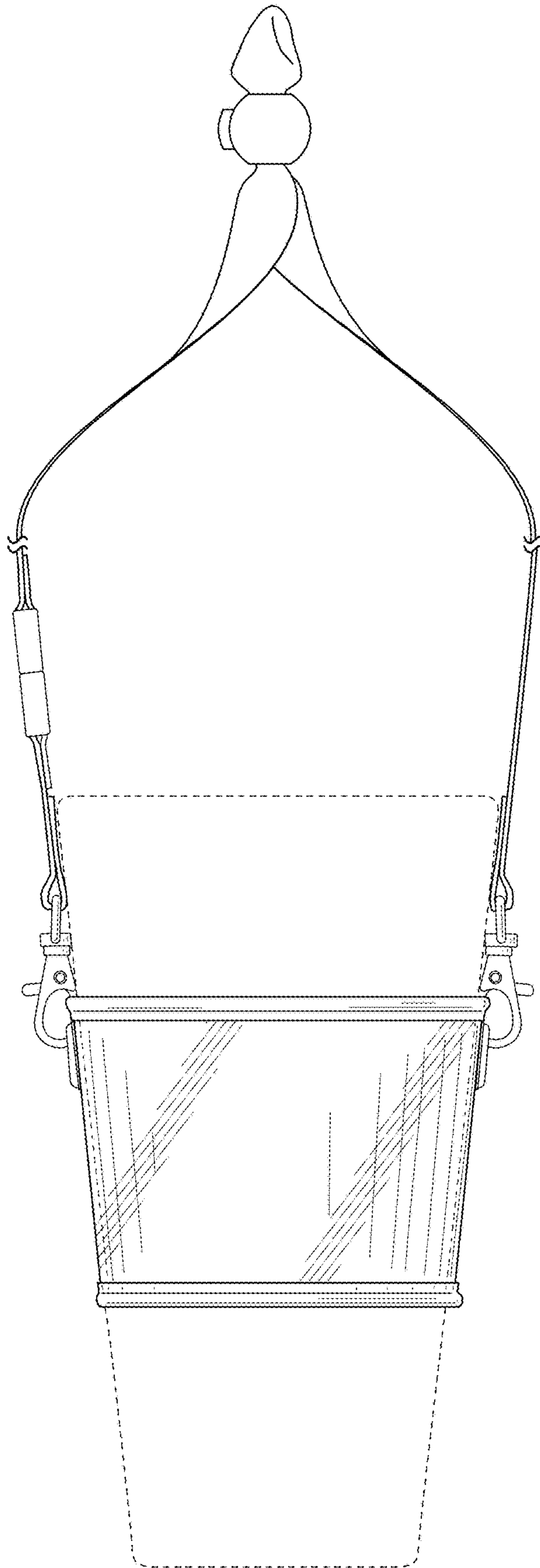


FIG. 2

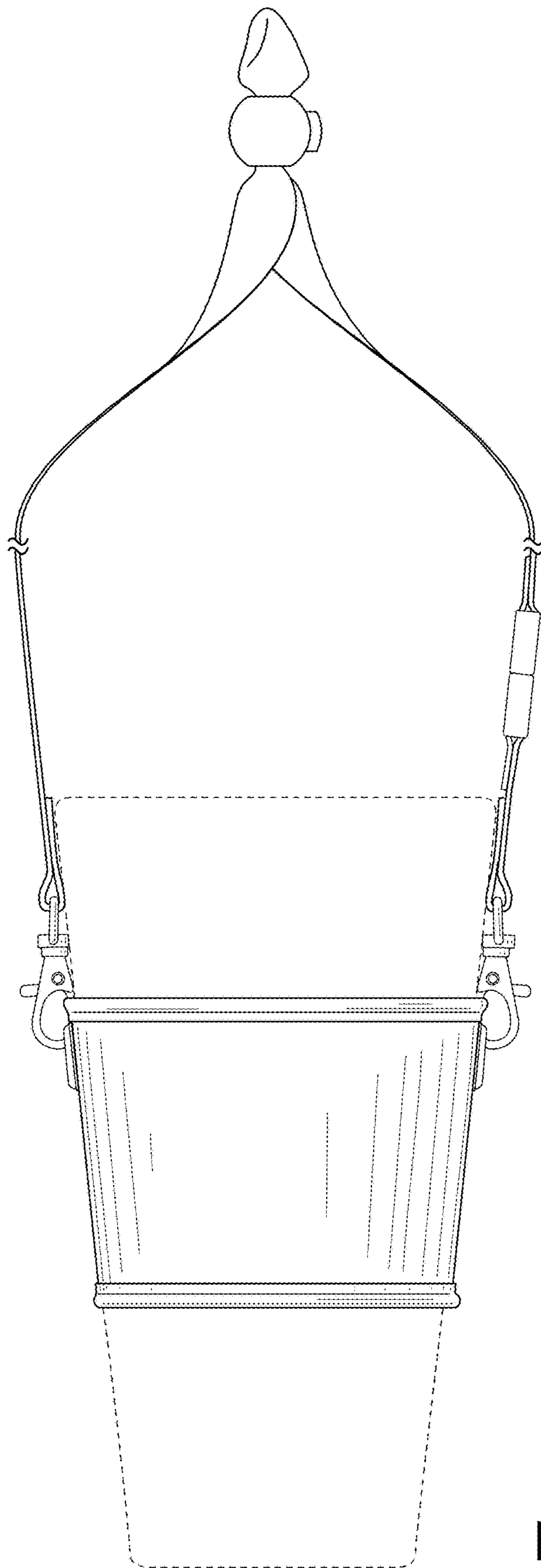


FIG. 3

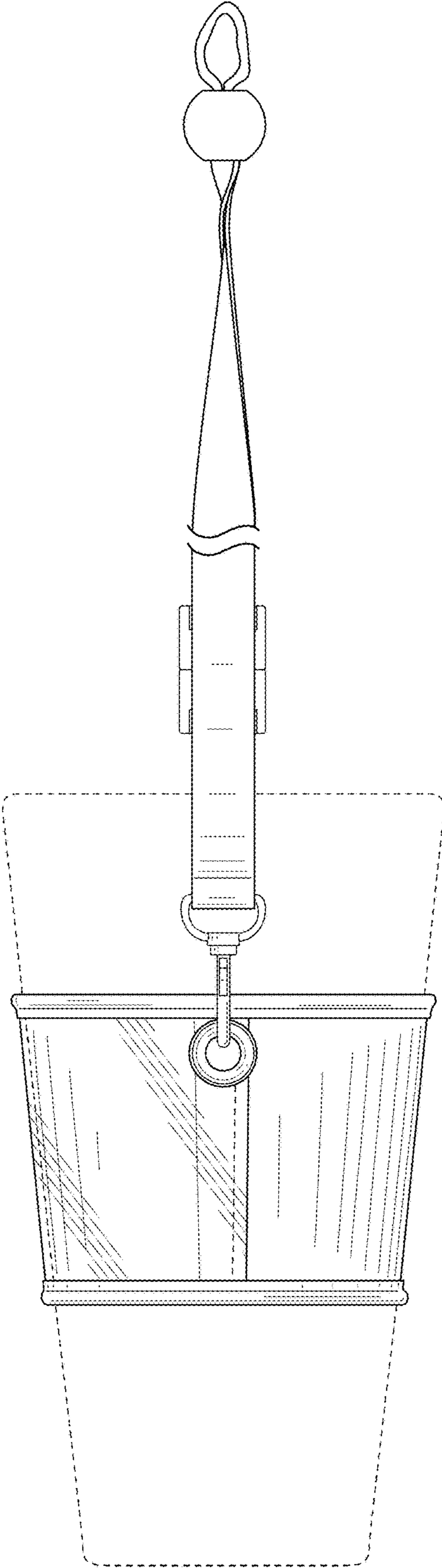


FIG. 4

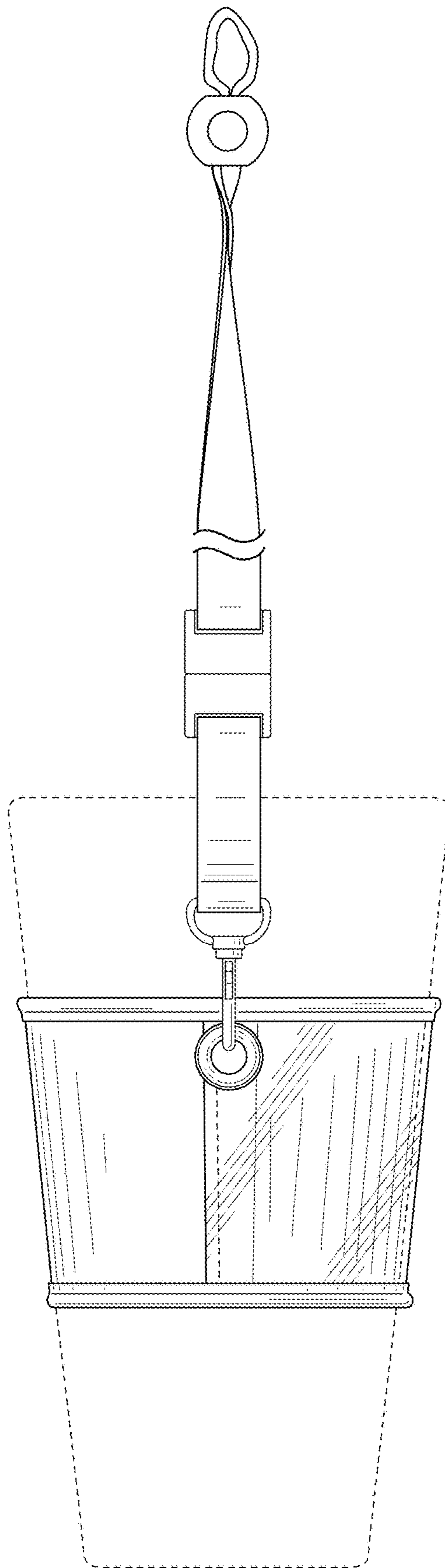


FIG. 5

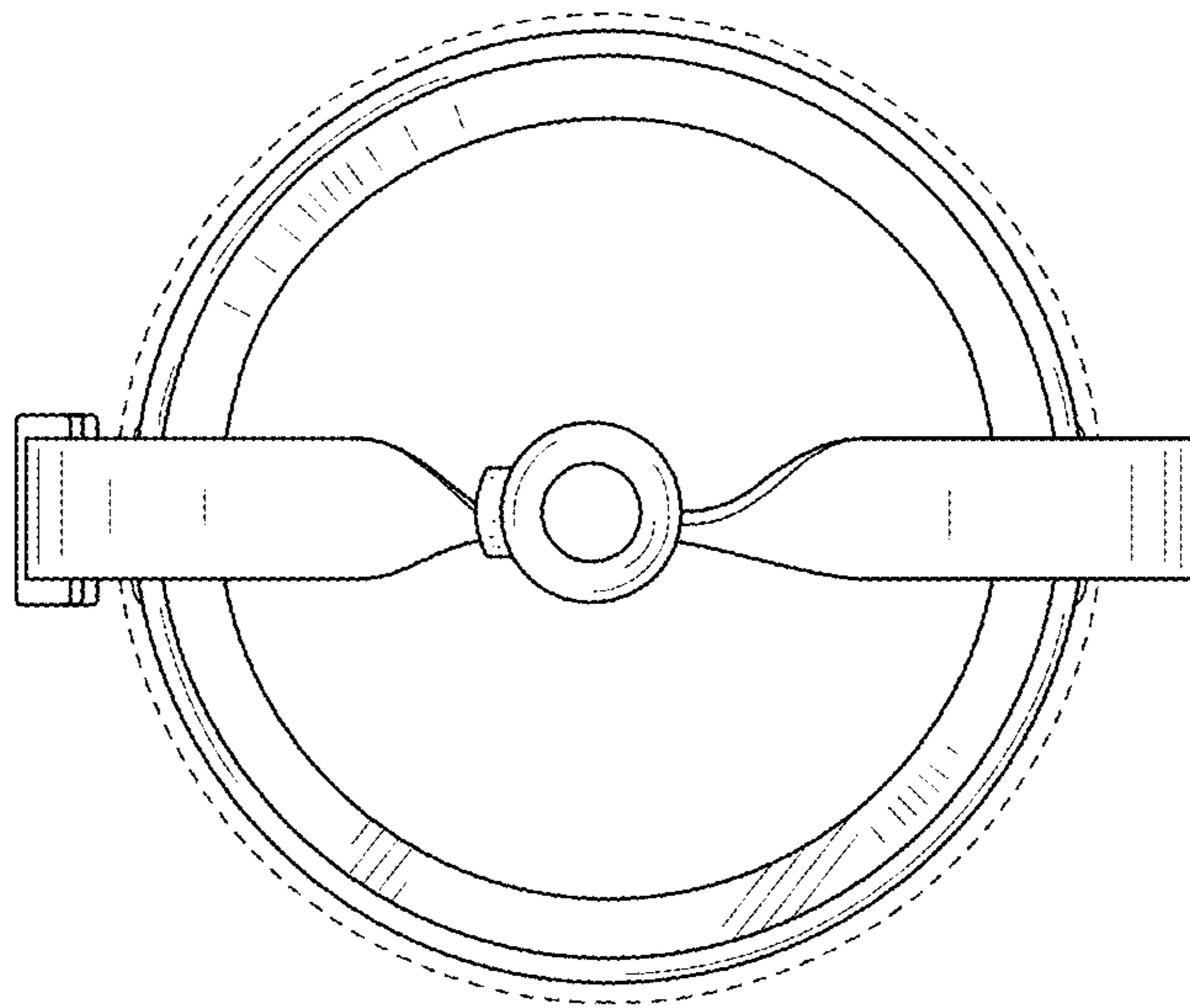


FIG. 6

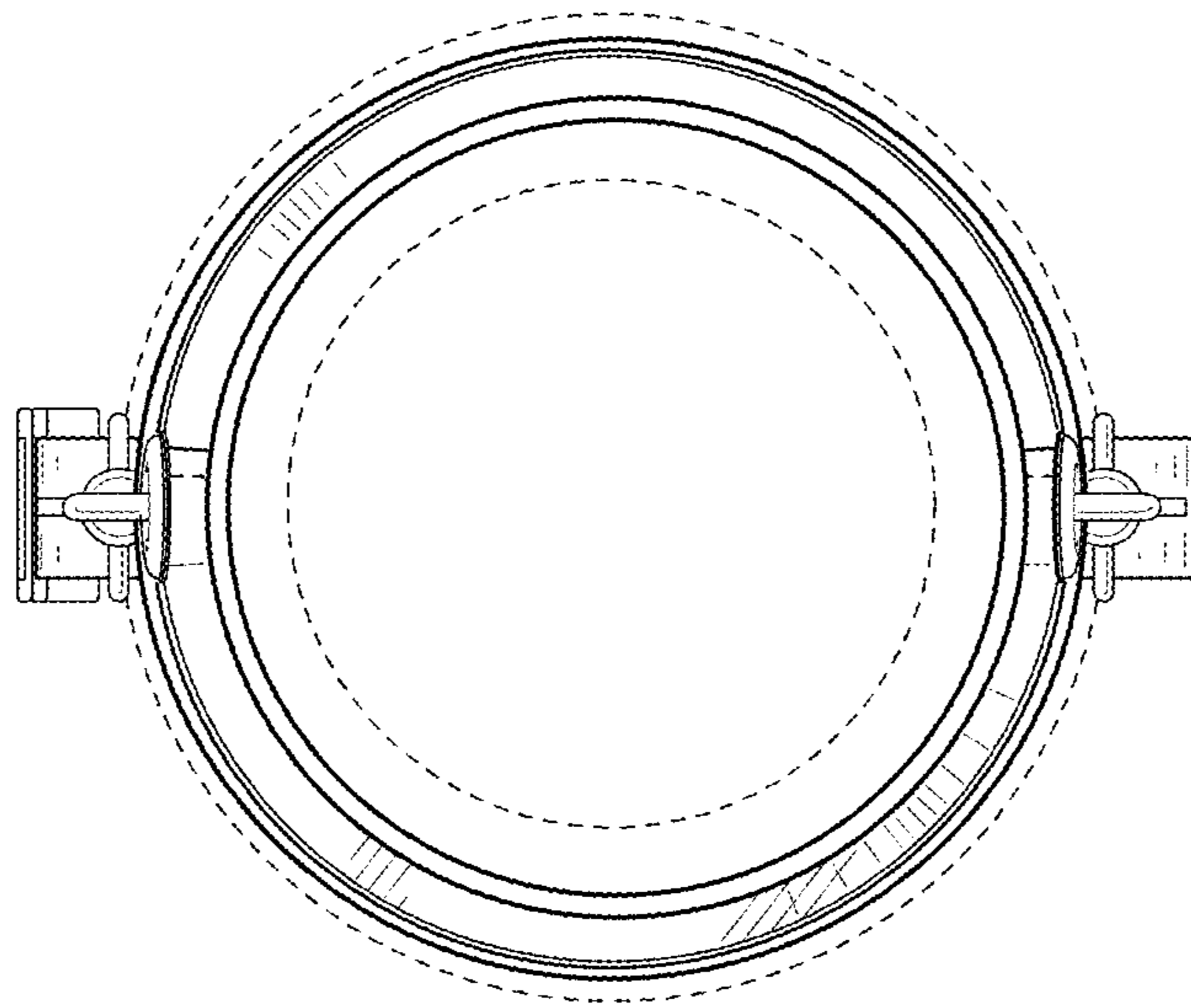


FIG. 7

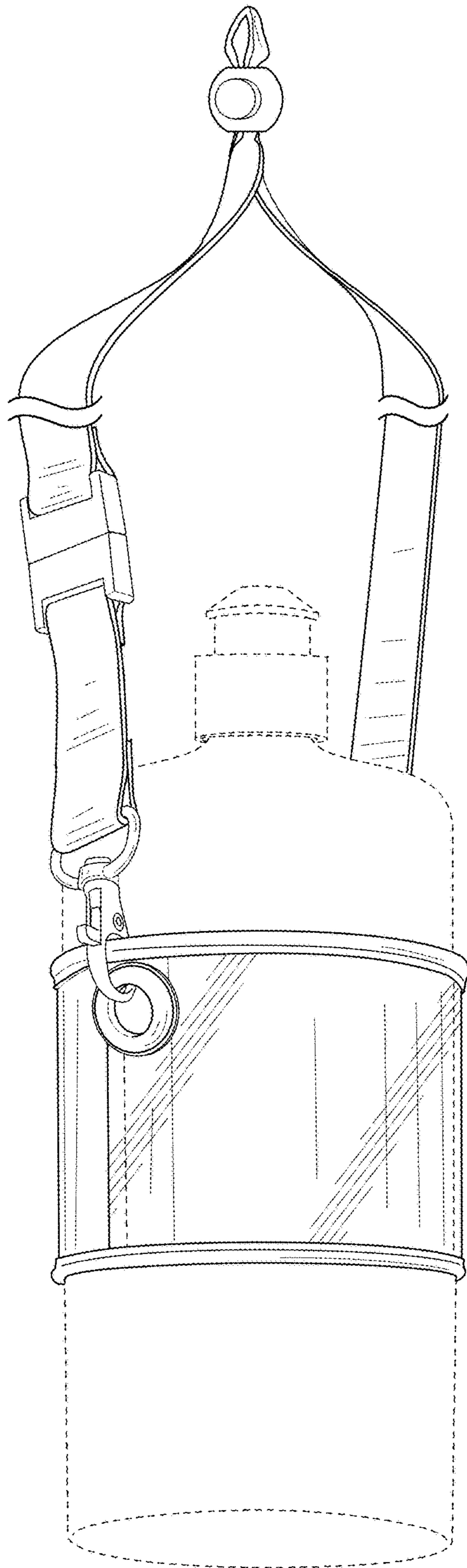


FIG. 8

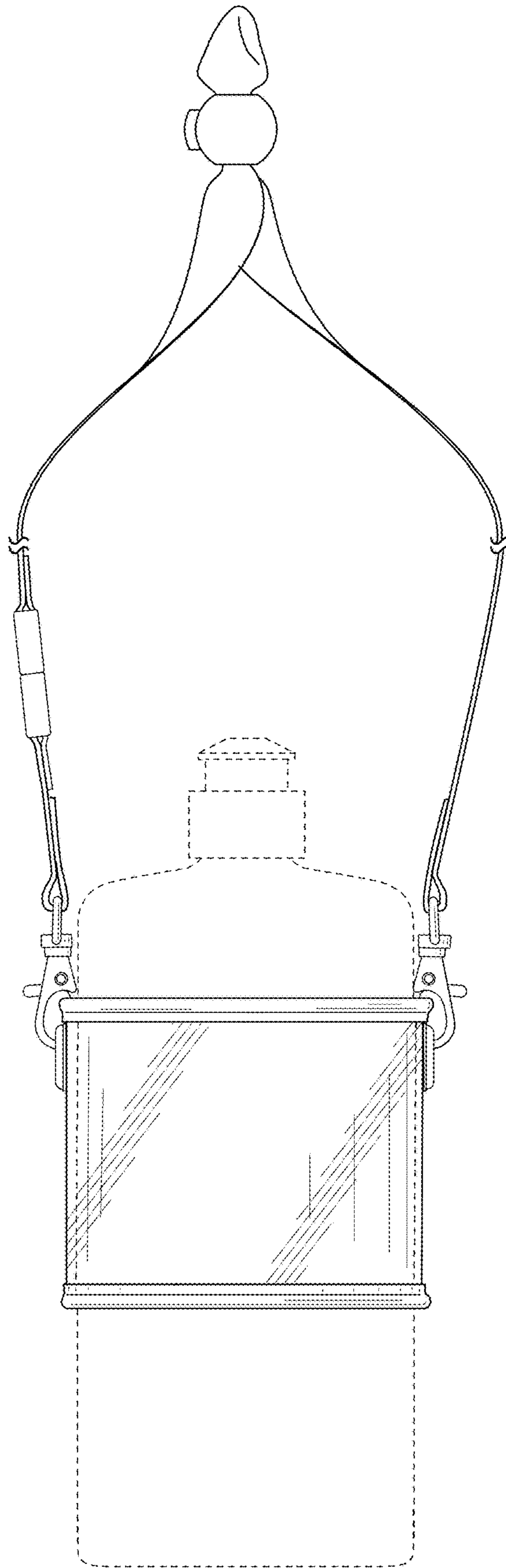


FIG. 9

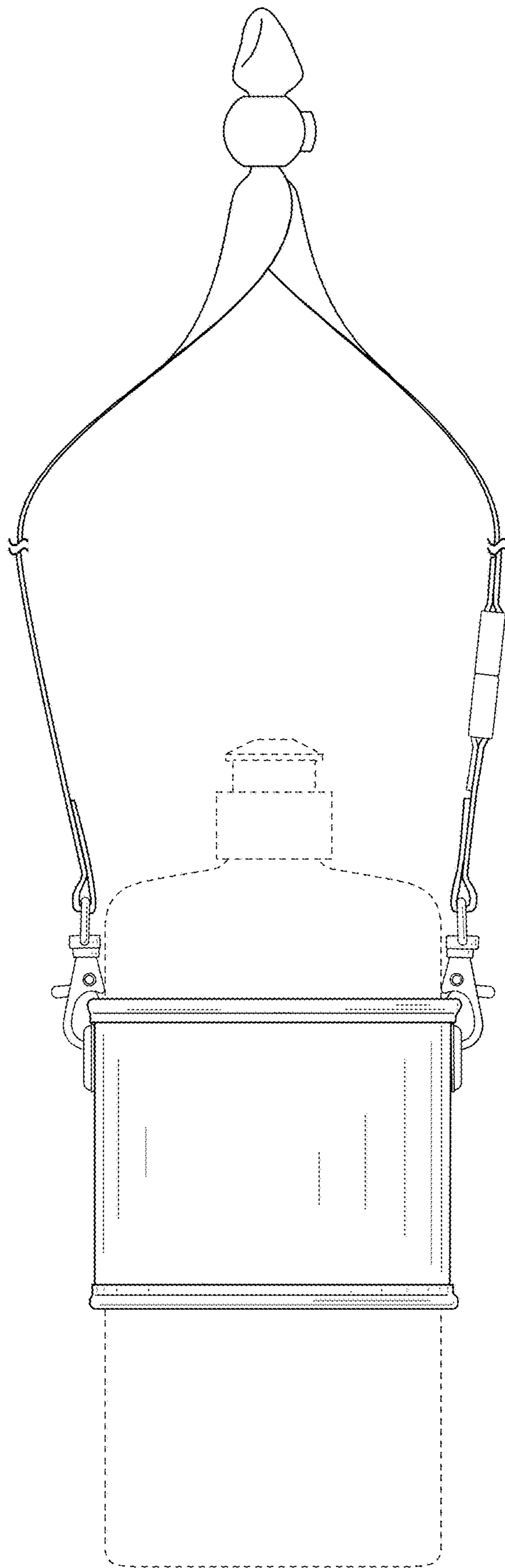


FIG. 10

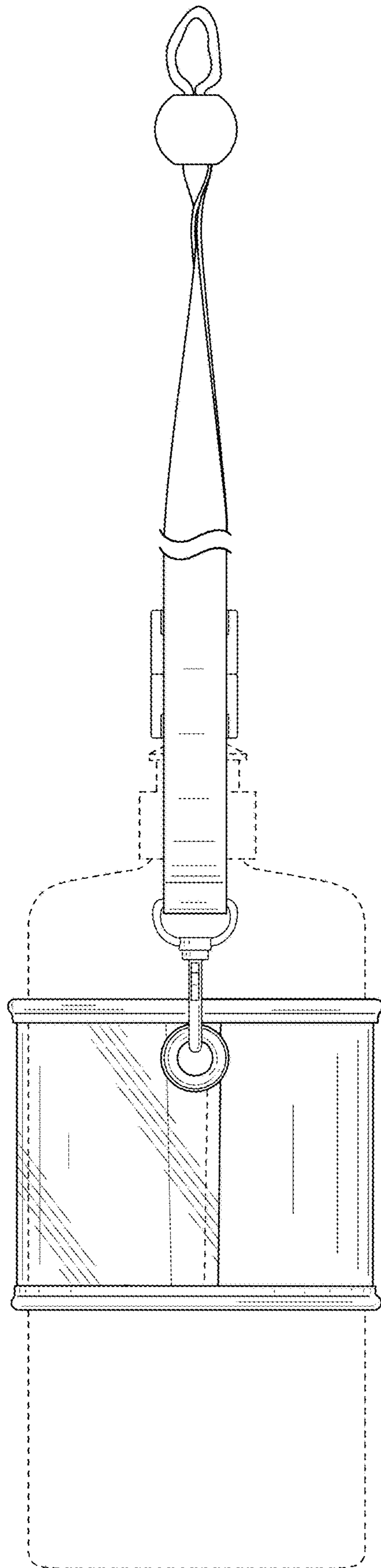


FIG. 11

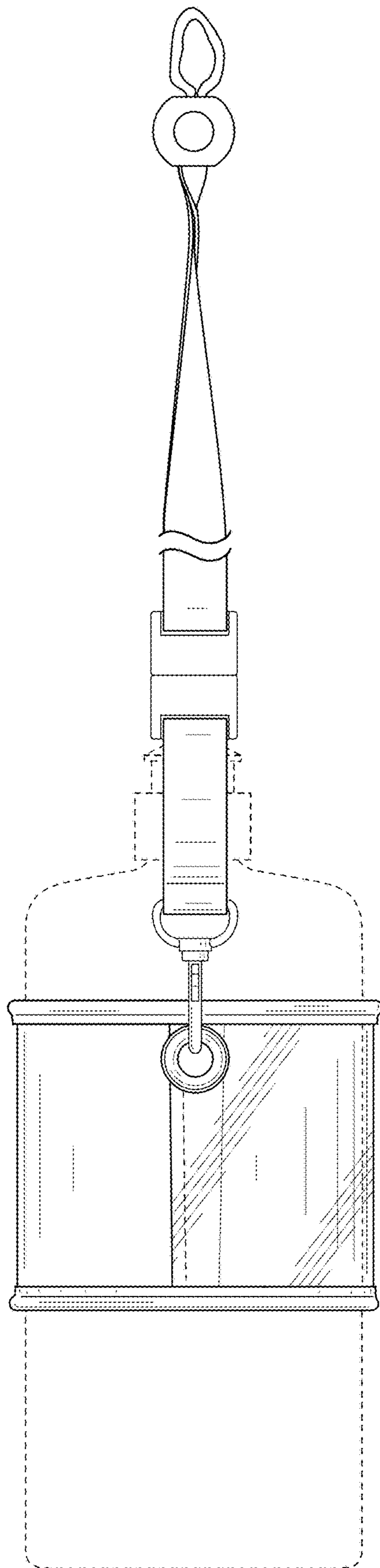


FIG. 12

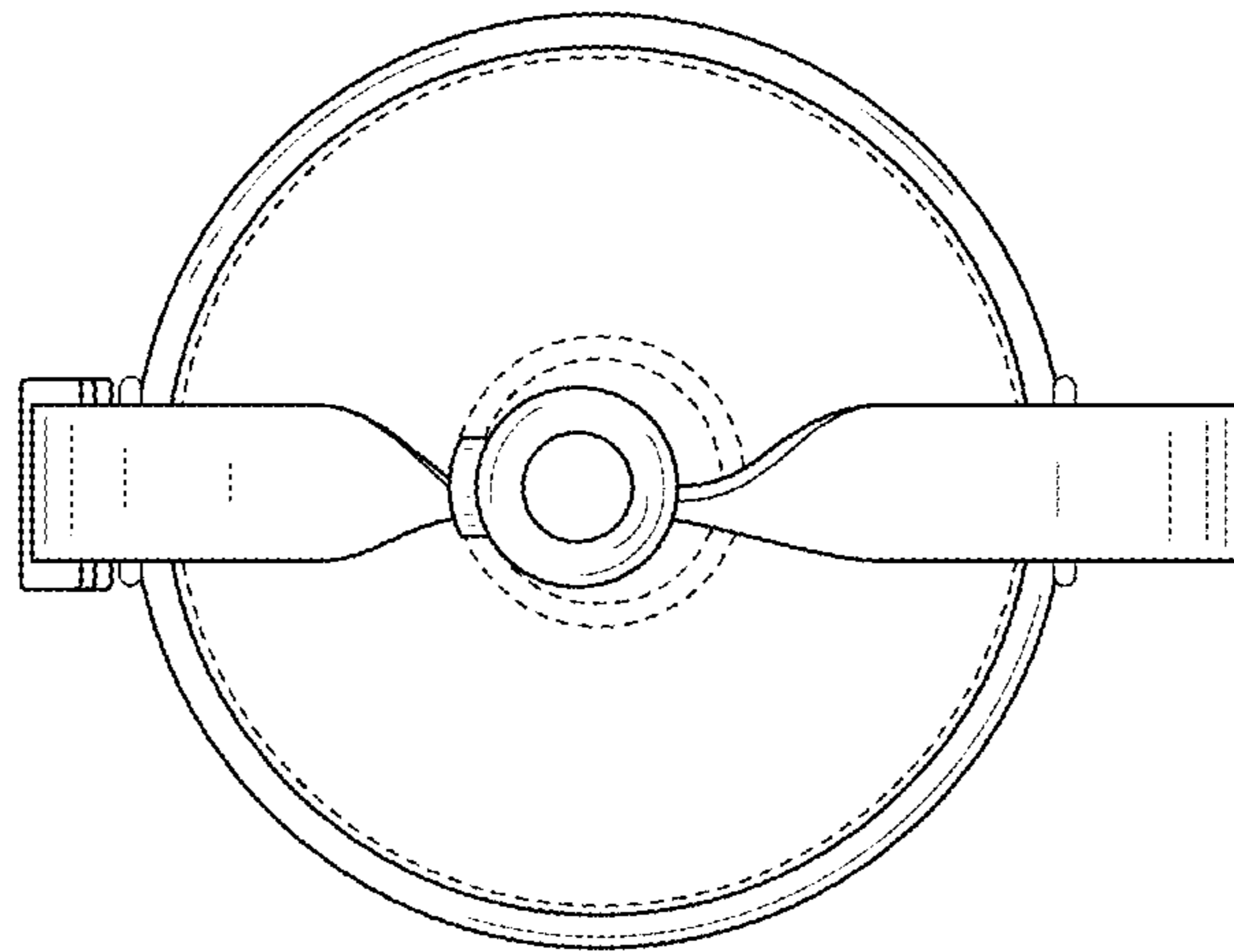


FIG. 13

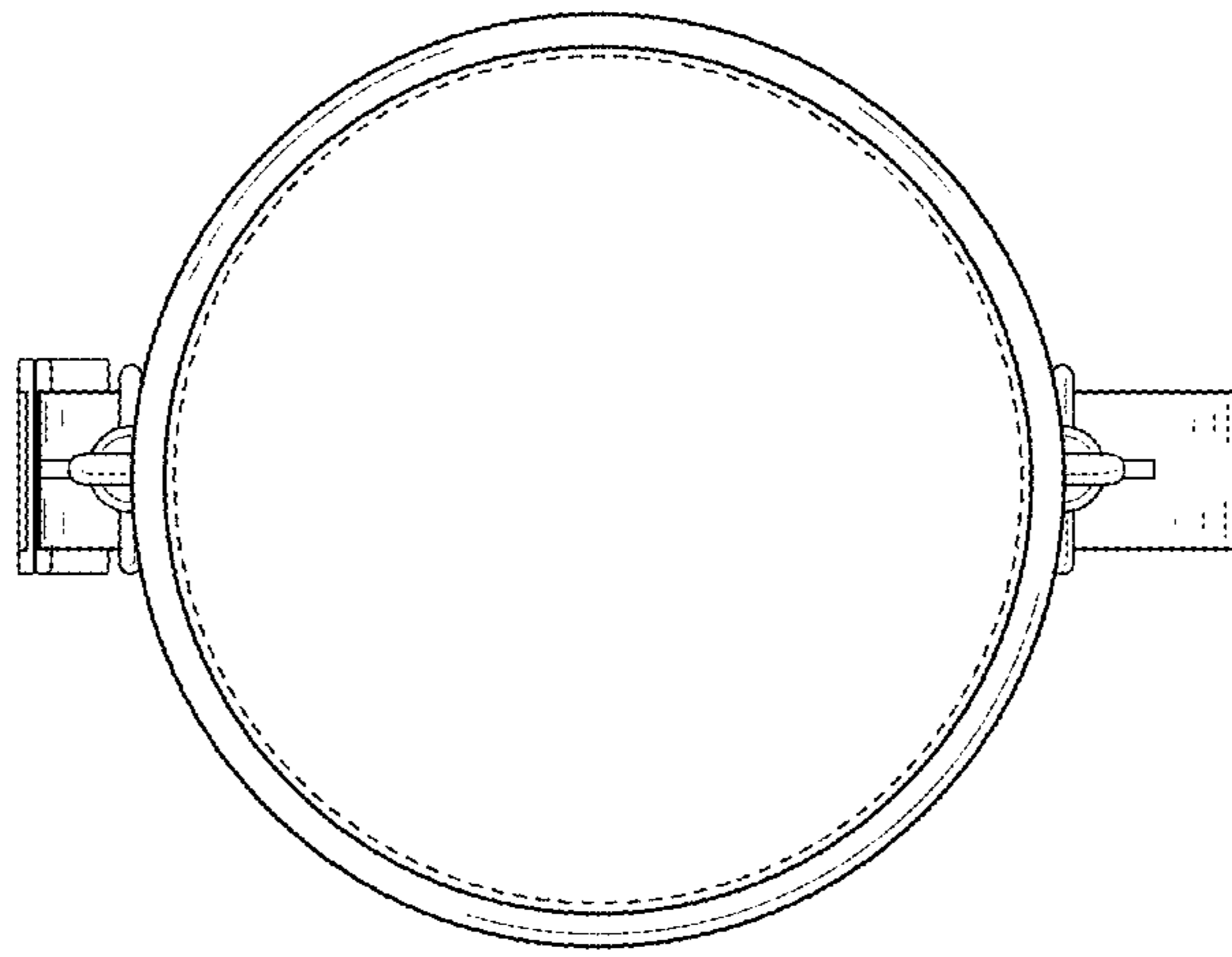


FIG. 14