



US00D778596S

(12) **United States Design Patent**
Swan et al.

(10) **Patent No.:** **US D778,596 S**

(45) **Date of Patent:** **** Feb. 14, 2017**

(54) **SYMMETRICAL HOLSTER**

(71) Applicant: **S&S Precision LLC**, Virginia Beach, VA (US)

(72) Inventors: **Johnny E. Swan**, Virginia Beach, VA (US); **Andrew C. Borland**, Virginia Beach, VA (US); **William-Joseph Basan Elizalde**, Virginia Beach, VA (US)

(73) Assignee: **S & S PRECISION, LLC**, Virginia Beach, VA (US)

(**) Term: **15 Years**

(21) Appl. No.: **29/542,377**

(22) Filed: **Oct. 13, 2015**

(51) **LOC (10) Cl.** **03-01**

(52) **U.S. Cl.**
USPC **D3/222**

(58) **Field of Classification Search**
USPC D3/222-223; 224/191-193, 197-198, 224/238, 243-244, 911-913; 42/94
CPC ... A45F 5/021; F41C 33/0227; F41C 33/0236; F41C 33/0209
See application file for complete search history.

(56) **References Cited**

U.S. PATENT DOCUMENTS

2,434,380 A * 1/1948 Williams A45F 5/021
224/243
4,044,929 A * 8/1977 Caruso F41C 33/0227
224/660

D251,379 S * 3/1979 Tulak D3/222
4,577,787 A * 3/1986 Hersey F41C 33/0236
224/192
D331,497 S * 12/1992 Dixon D3/222
5,236,113 A * 8/1993 Wisser F41C 33/0227
224/193
5,395,021 A * 3/1995 Brown F41C 33/0209
224/243
D761,553 S * 7/2016 Scott D3/222

* cited by examiner

Primary Examiner — Catheri Oliver-Garcia

(74) *Attorney, Agent, or Firm* — Kilpatrick Townsend & Stockton LLP

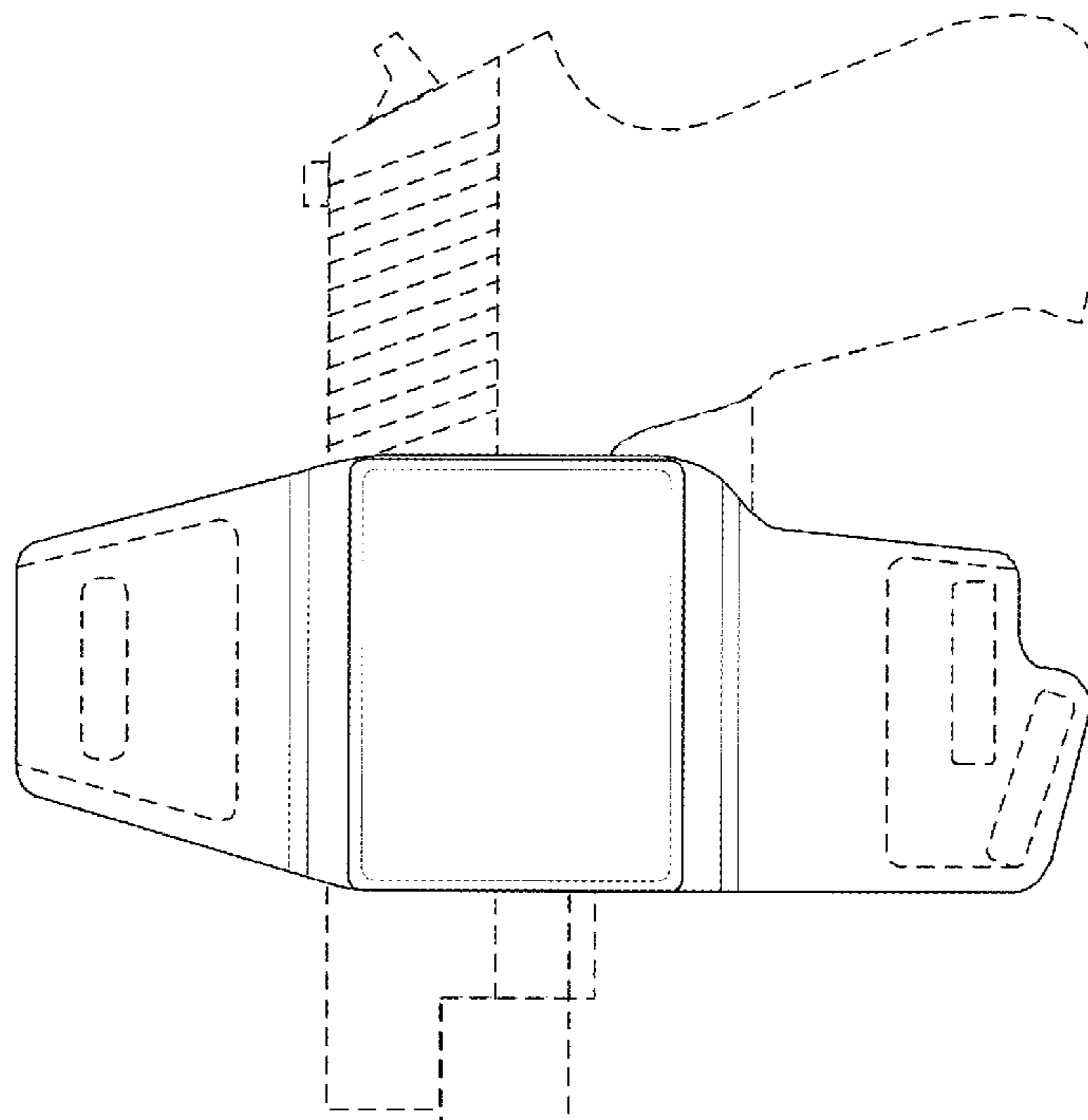
(57) **CLAIM**

The ornamental design for a symmetrical holster, as shown and described.

DESCRIPTION

FIG. 1 is right side view of a symmetrical holster showing our new design;
FIG. 2 is a left side view thereof;
FIG. 3 is a bottom plan view thereof;
FIG. 4 is a top plan view thereof;
FIG. 5 is a front view thereof;
FIG. 6 is a rear view thereof; and,
FIG. 7 is a left side view thereof, similar to FIG. 2, showing the arrangement of a pistol in the symmetrical holster.
The broken line portions showing surface cavities, contours and through-holes in FIGS. 1-7, and the exemplary pistol outline in FIG. 7, are shown to illustrate environment only and form no part of the claimed design.

1 Claim, 3 Drawing Sheets



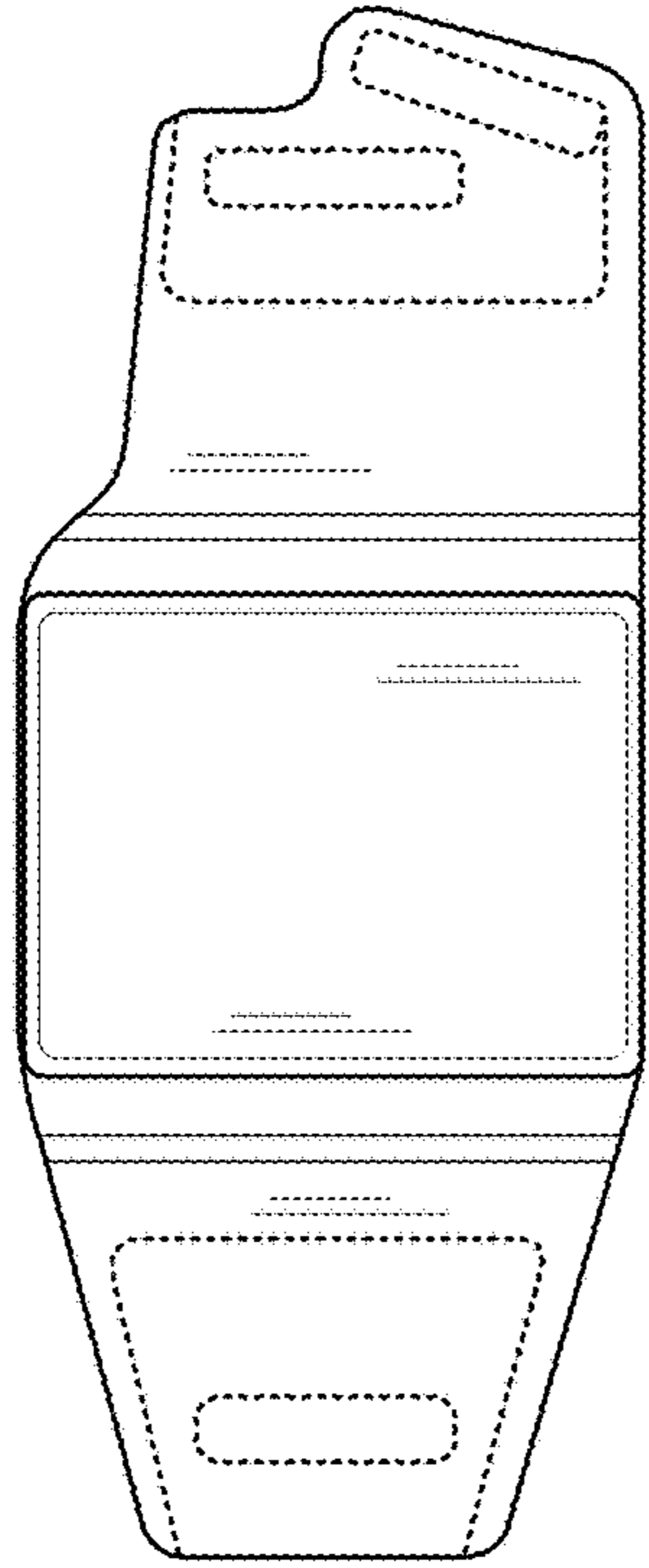


FIG. 1

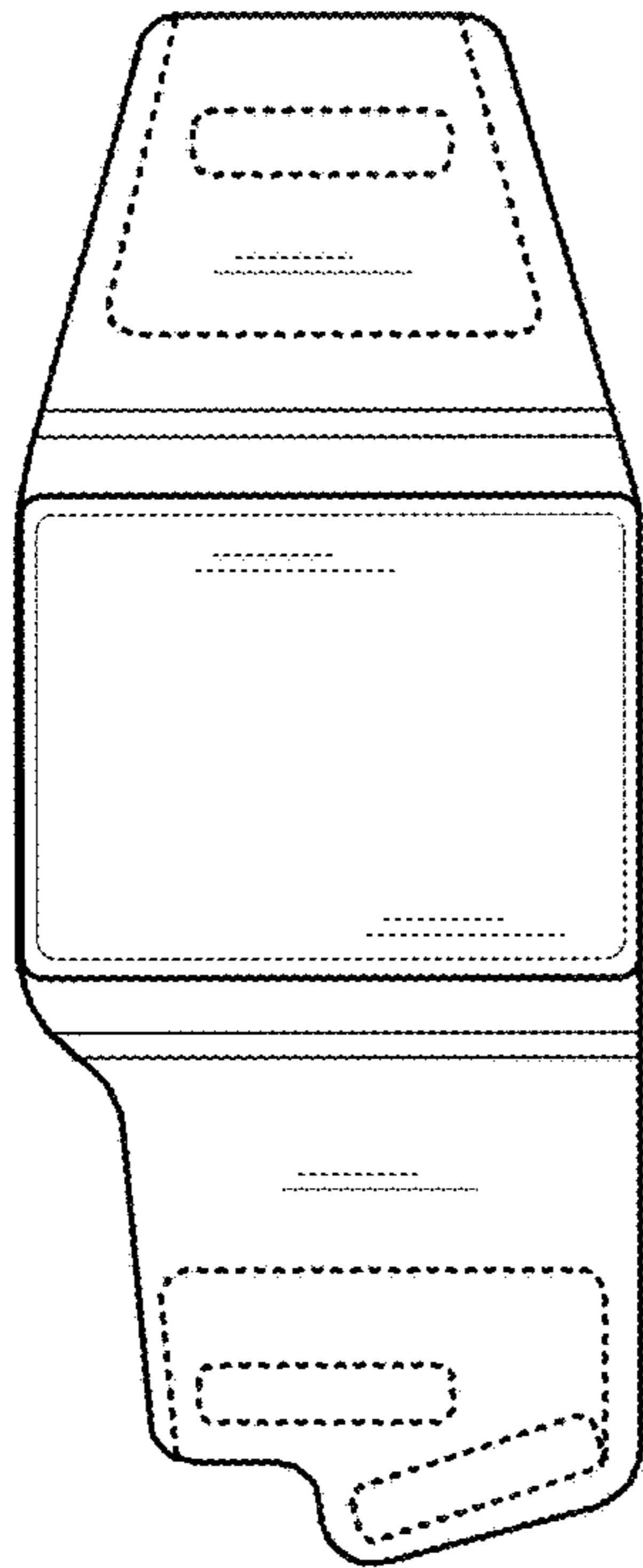


FIG. 2

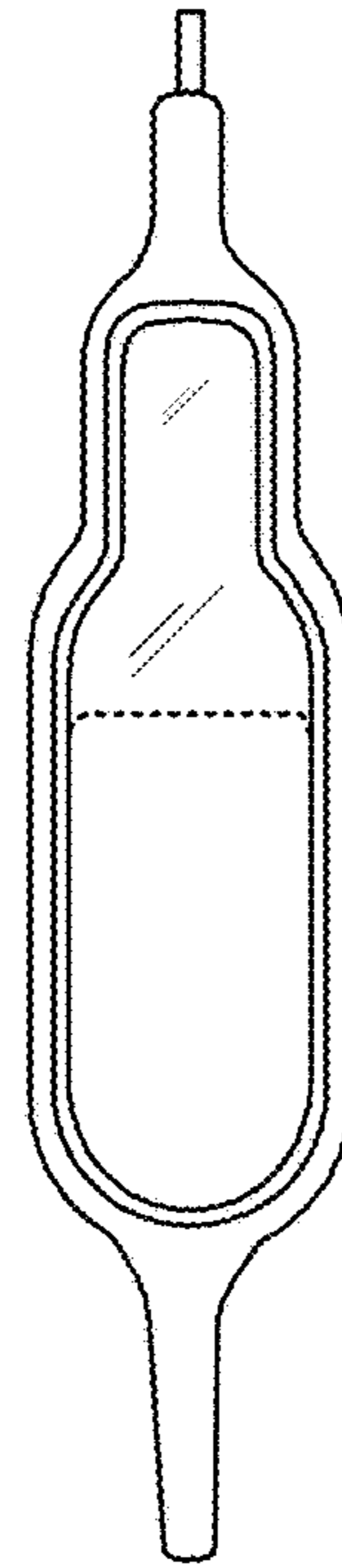


FIG. 3

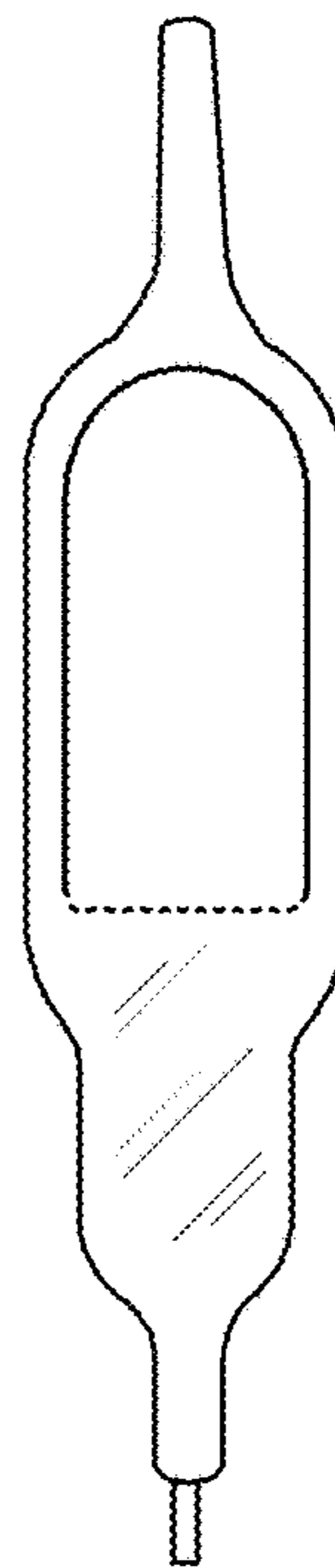


FIG. 4

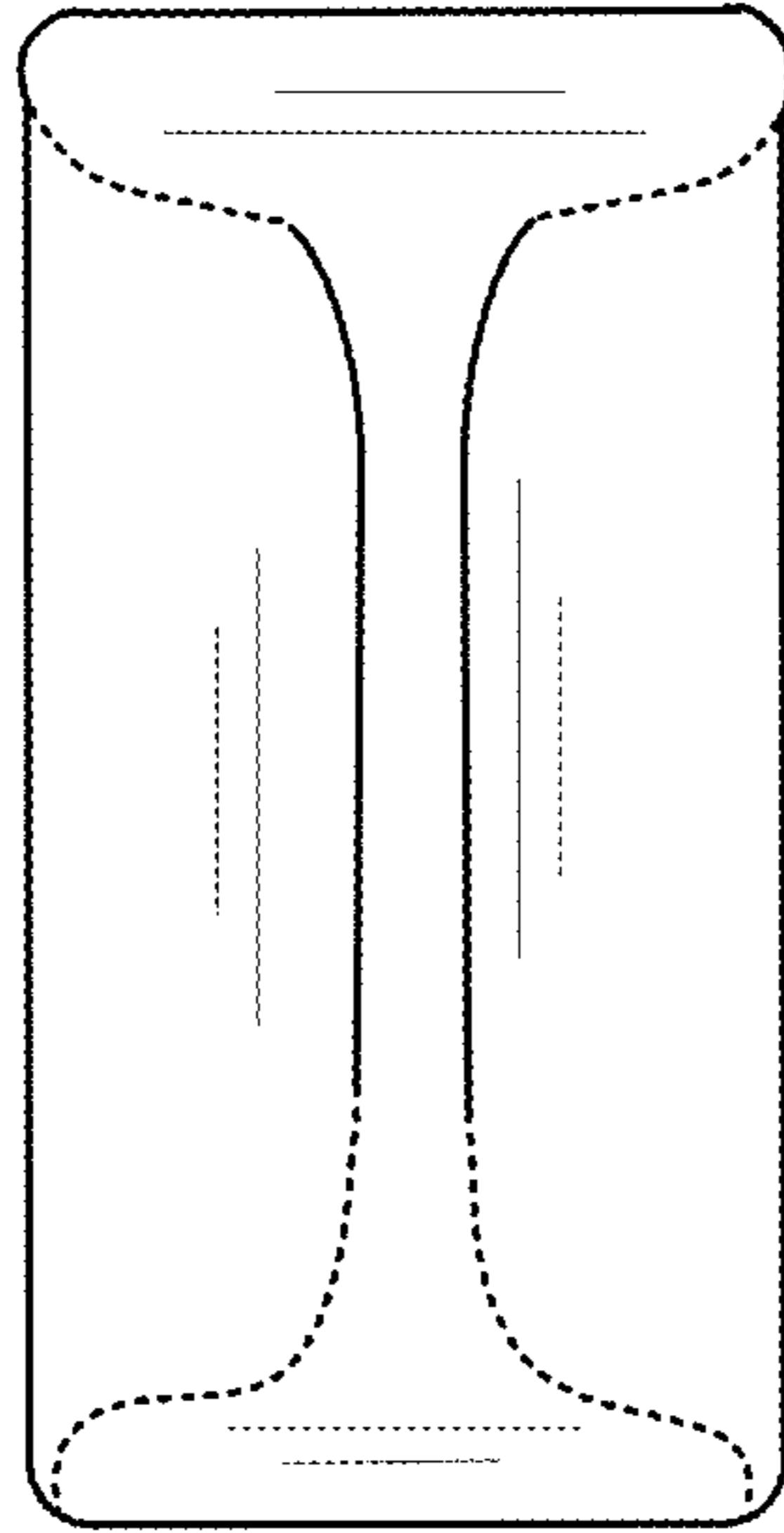


FIG. 5

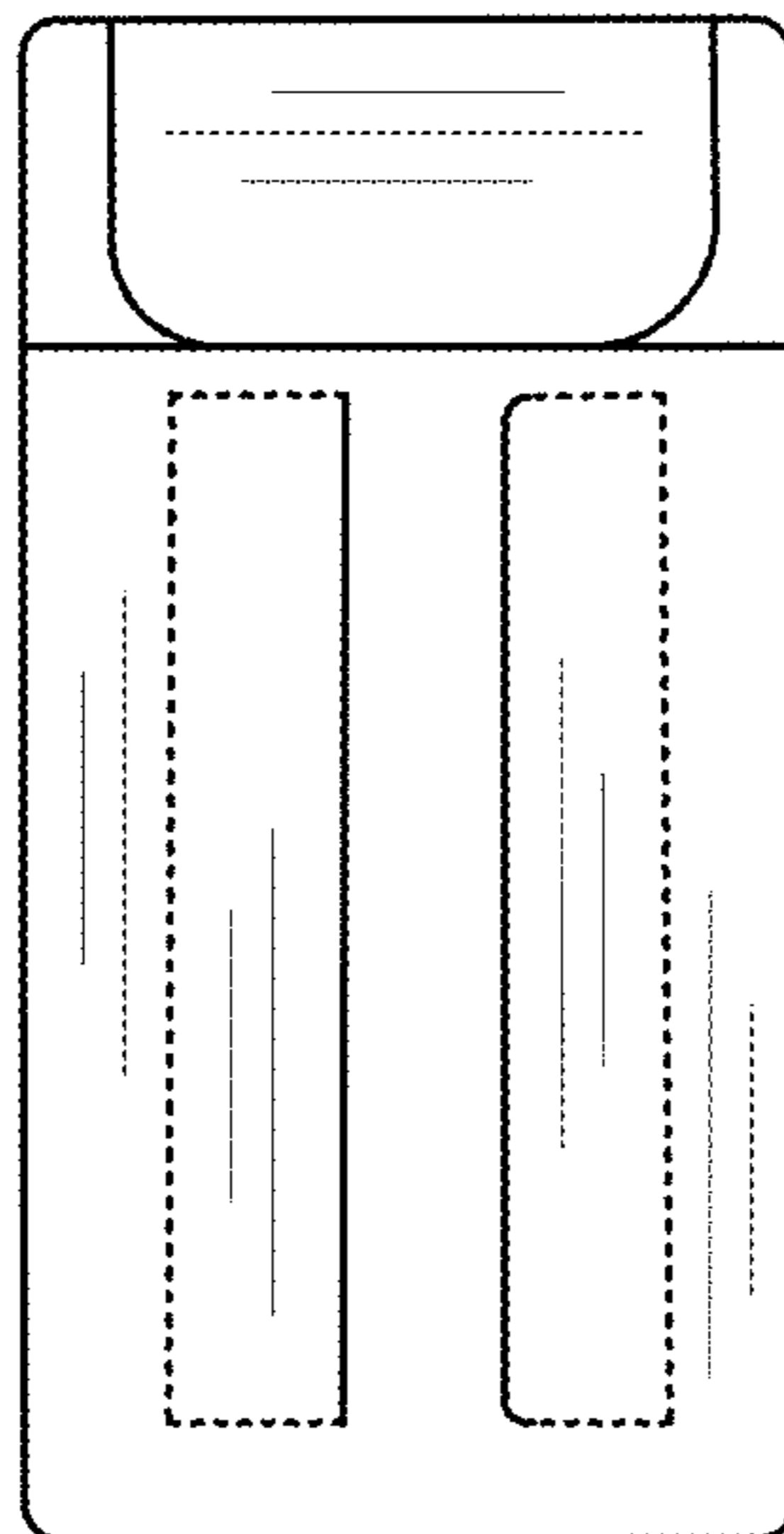


FIG. 6

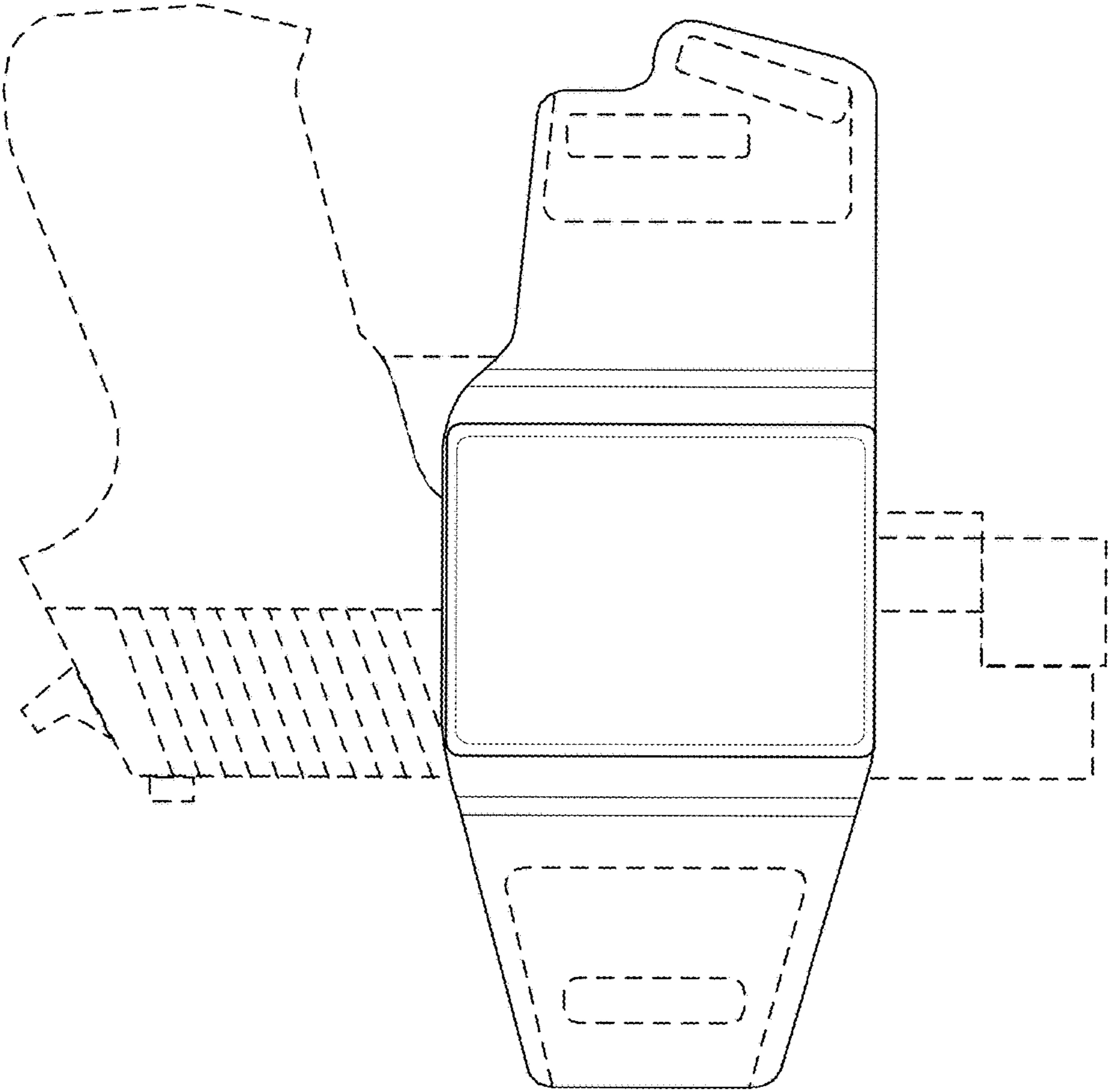


FIG. 7