



US00D778586S

(12) **United States Design Patent**
McMillan et al.

(10) **Patent No.:** **US D778,586 S**
(45) **Date of Patent:** **** Feb. 14, 2017**

(54) **SHOE**
(71) Applicant: **NIKE, Inc.**, Beaverton, OR (US)
(72) Inventors: **Graeme McMillan**, Portland, OR (US);
Jessica Small, Portland, OR (US)
(73) Assignee: **NIKE, Inc.**, Beaverton, OR (US)
(**) Term: **15 Years**

D579,186 S 10/2008 Mervar et al.
D585,189 S 1/2009 Jarvis
D587,001 S 2/2009 Jarvis
D594,203 S 6/2009 Banik et al.
D636,568 S 4/2011 McMillan
D636,569 S * 4/2011 McMillan D2/972
D640,865 S 7/2011 Selbiger
D649,761 S * 12/2011 Chang D2/972
D649,763 S * 12/2011 Chang D2/972
D695,508 S 12/2013 Earle
D707,945 S 7/2014 Campbell
(Continued)

(21) Appl. No.: **29/548,439**
(22) Filed: **Dec. 14, 2015**
(51) **LOC (10) Cl.** **02-99**
(52) **U.S. Cl.**
USPC **D2/972**
(58) **Field of Classification Search**
USPC D2/902, 906-908, 944, 946, 969,
D2/972-974
CPC ... A43B 13/181; A43B 13/141; A43B 13/186;
A43B 13/188; A43B 23/00; A43B 23/02;
A43B 5/00; A43B 23/26; A43B 1/04;
A43B 11/14; A43B 7/00; A43C
1/00; A43C 11/00; A43C 5/00
See application file for complete search history.

(56) **References Cited**
U.S. PATENT DOCUMENTS
D441,181 S * 5/2001 Morgan D2/972
D528,286 S * 9/2006 Schambra D2/972
D541,516 S 5/2007 Lane, III
D562,541 S 2/2008 Avar
D568,599 S * 5/2008 Avar D2/972
D569,089 S 5/2008 Nakano
D570,077 S 6/2008 James
D570,083 S 6/2008 Taylor
D570,089 S * 6/2008 Avar D2/972
D574,136 S * 8/2008 Avar D2/969
D578,294 S 10/2008 Mervar et al.

OTHER PUBLICATIONS

Nike Footwear Catalog, 2002 Late Spring Men's and Women's
Footwear, p. W8, published Sep. 2001, NIKE, Inc., USA.
(Continued)

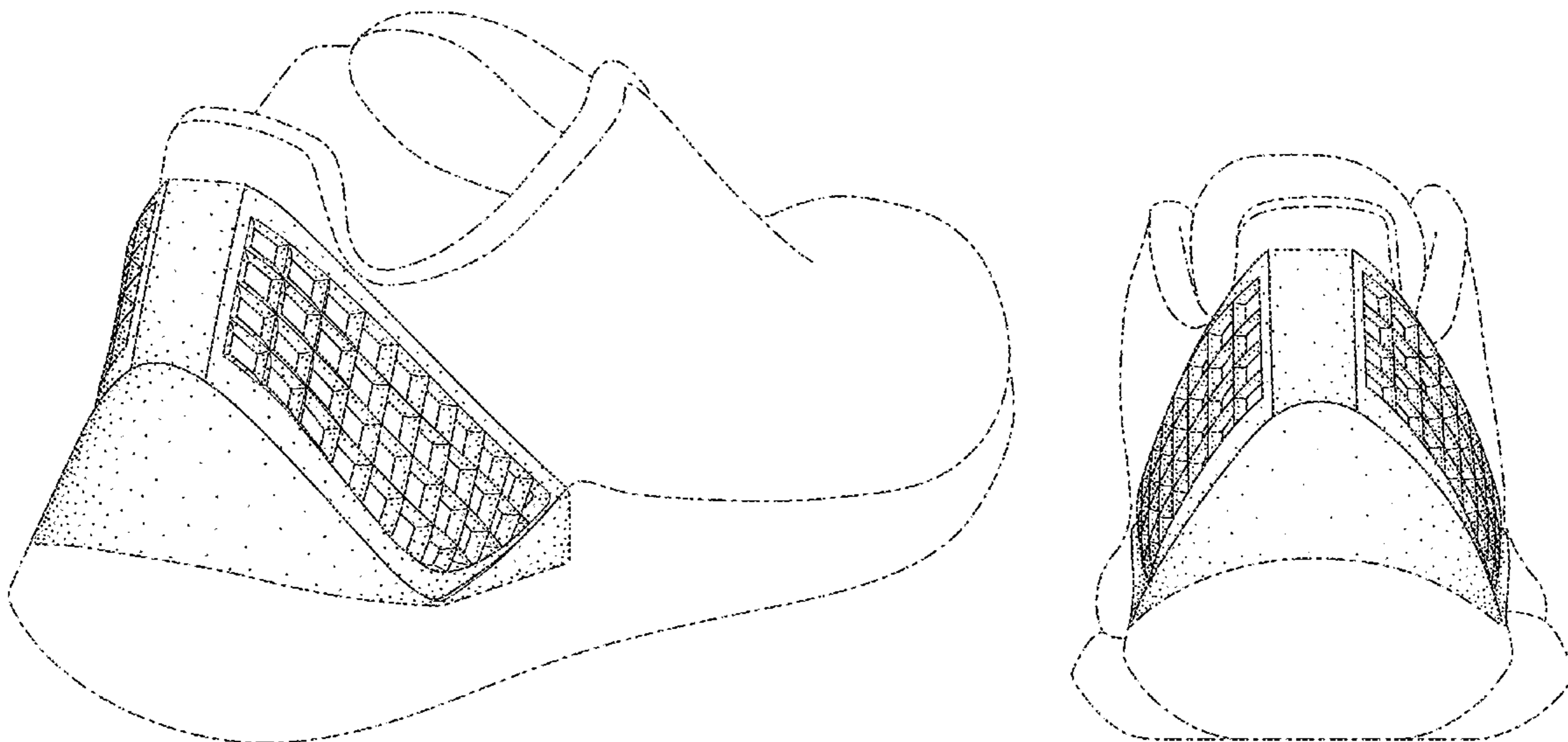
Primary Examiner — Dominic Simone
(74) *Attorney, Agent, or Firm* — Banner & Witcoff, Ltd.

(57) **CLAIM**
The ornamental design for a shoe, as shown and described.

DESCRIPTION

FIG. 1 is a first side perspective view of a shoe showing our
new design;
FIG. 2 is a second side perspective view thereof;
FIG. 3 is a right side view thereof;
FIG. 4 is a left side view thereof; and,
FIG. 5 is a rear view thereof.
The broken lines immediately adjacent to the shaded area
represent unclaimed boundaries of the design. The unshaded
regions within or adjacent to the shaded area form no part of
the claimed design. The broken lines showing the remainder
of the shoe are for environmental purposes only and form no
part of the claimed design.

1 Claim, 5 Drawing Sheets



(56)

References Cited

U.S. PATENT DOCUMENTS

D708,432 S 7/2014 Campbell
D765,380 S * 9/2016 Petrie D2/972
D767,869 S * 10/2016 Lok D2/972

OTHER PUBLICATIONS

Nike Footwear Catalog, 2004 Fall Men's, Women's, and Kids' Footwear, p. 3, published Nov. 2003, NIKE, Inc., USA.

Nike Footwear Catalog, 2009 Spring Sport Performance Footwear, p. 66, published May 2008, NIKE, Inc., USA.

Nike Footwear Catalog, 2010 Fall Indie Sportswear Footwear, p. 7, published date unknown, but prior to the filing date of the present application, NIKE, Inc., USA.

Nike Footwear Catalog, 2011 Fall Men's Performance Footwear, p. 7, published Nov. 2010, NIKE, Inc., USA.

Nike Footwear Catalog, 2013 Spring Mens Performance Footwear, p. 50, published May 2012, NIKE, Inc., USA.

* cited by examiner

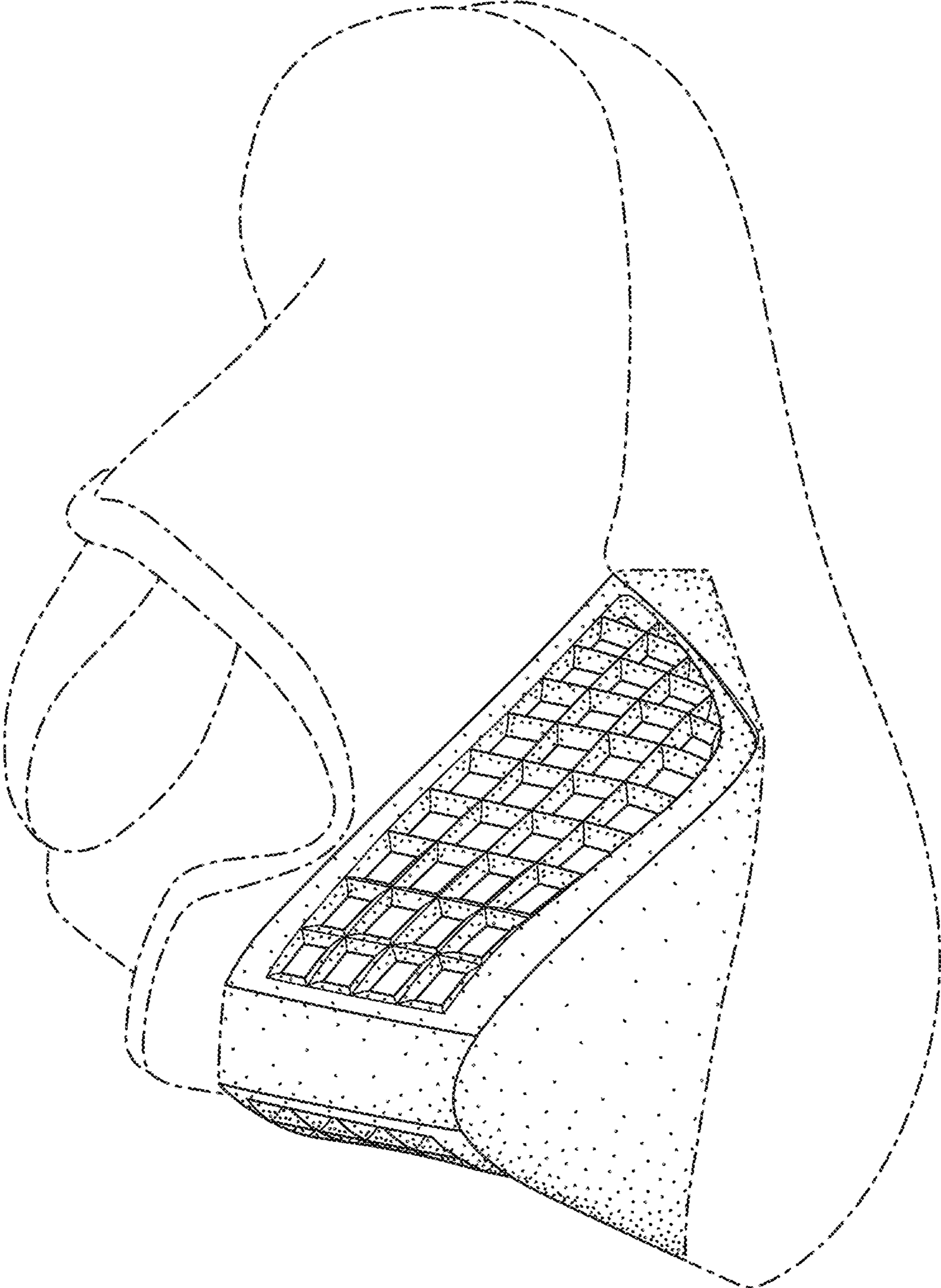


FIG. 1

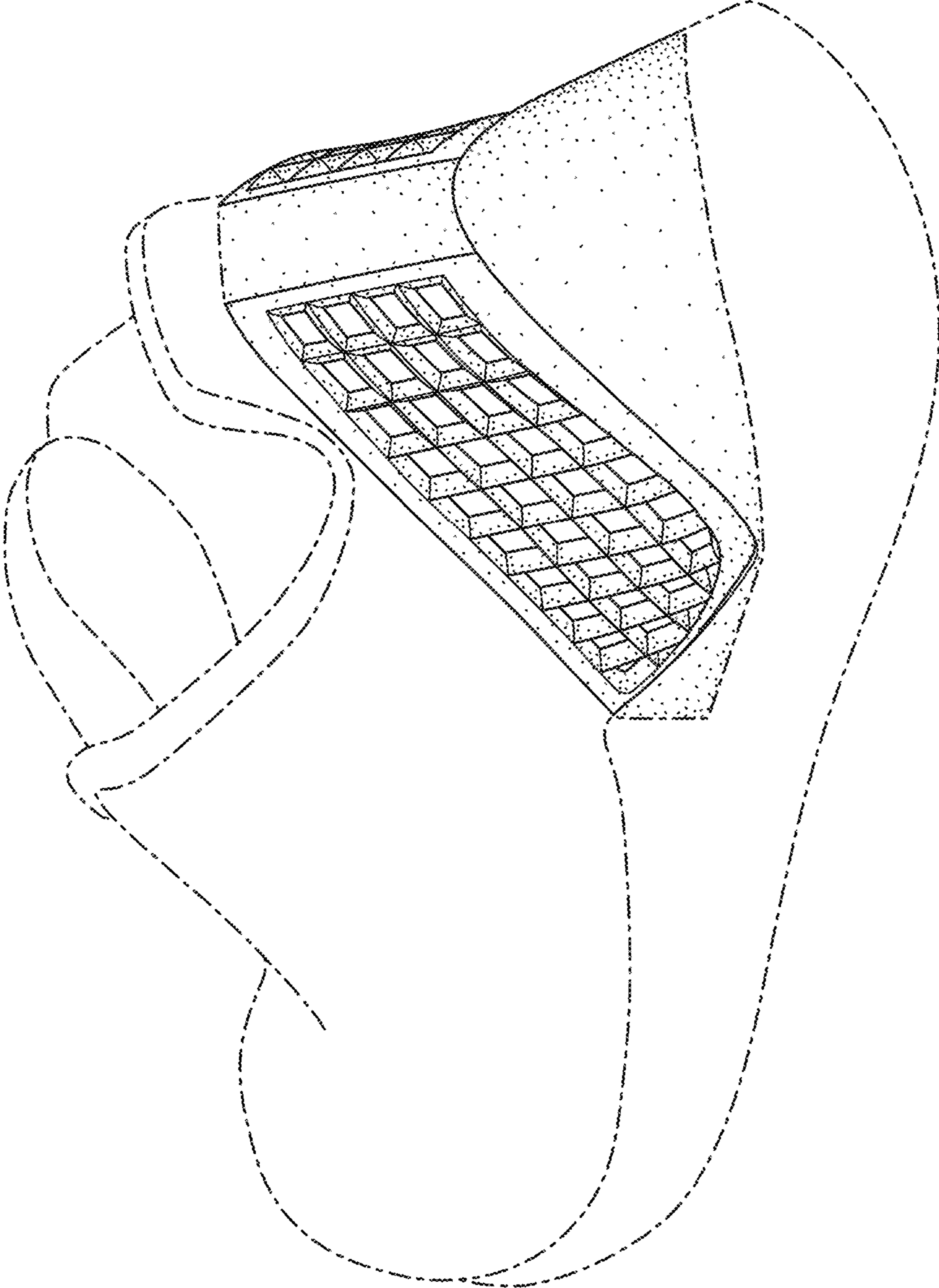


FIG. 2

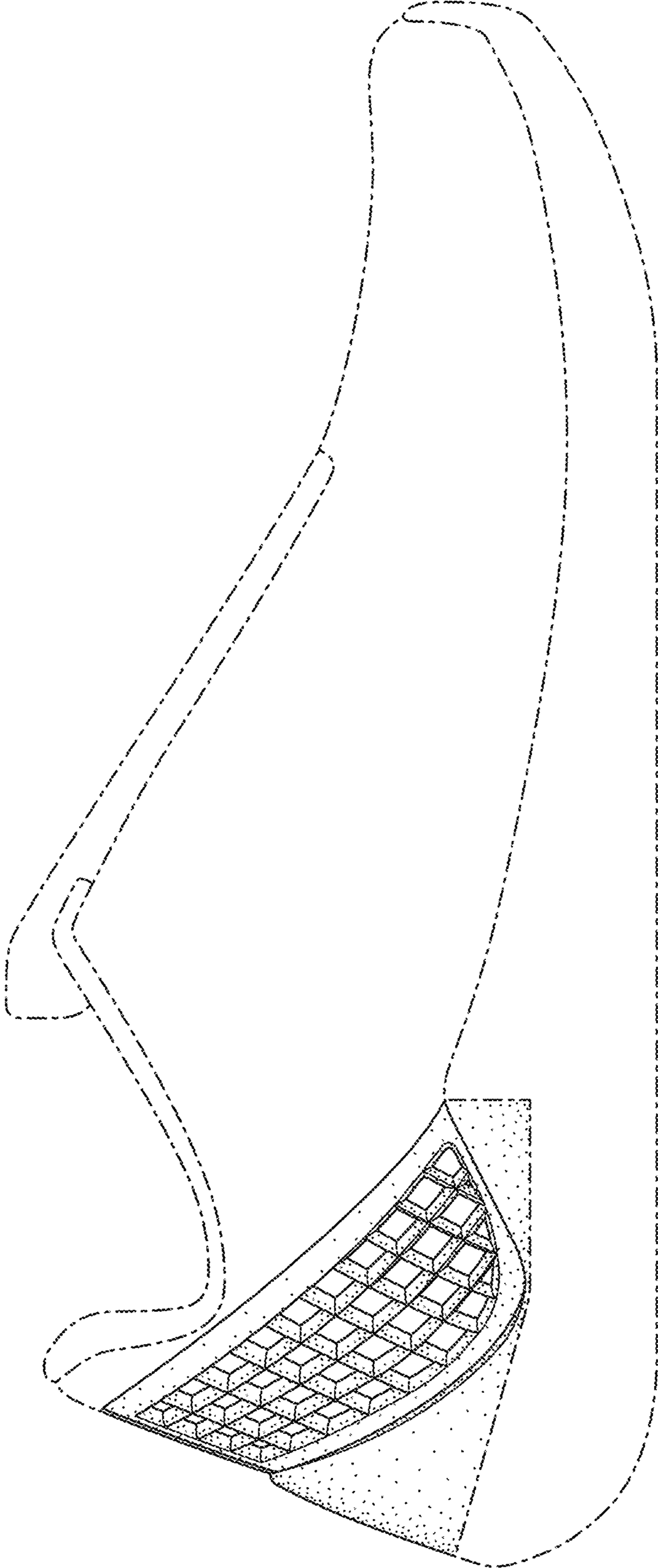


FIG. 3

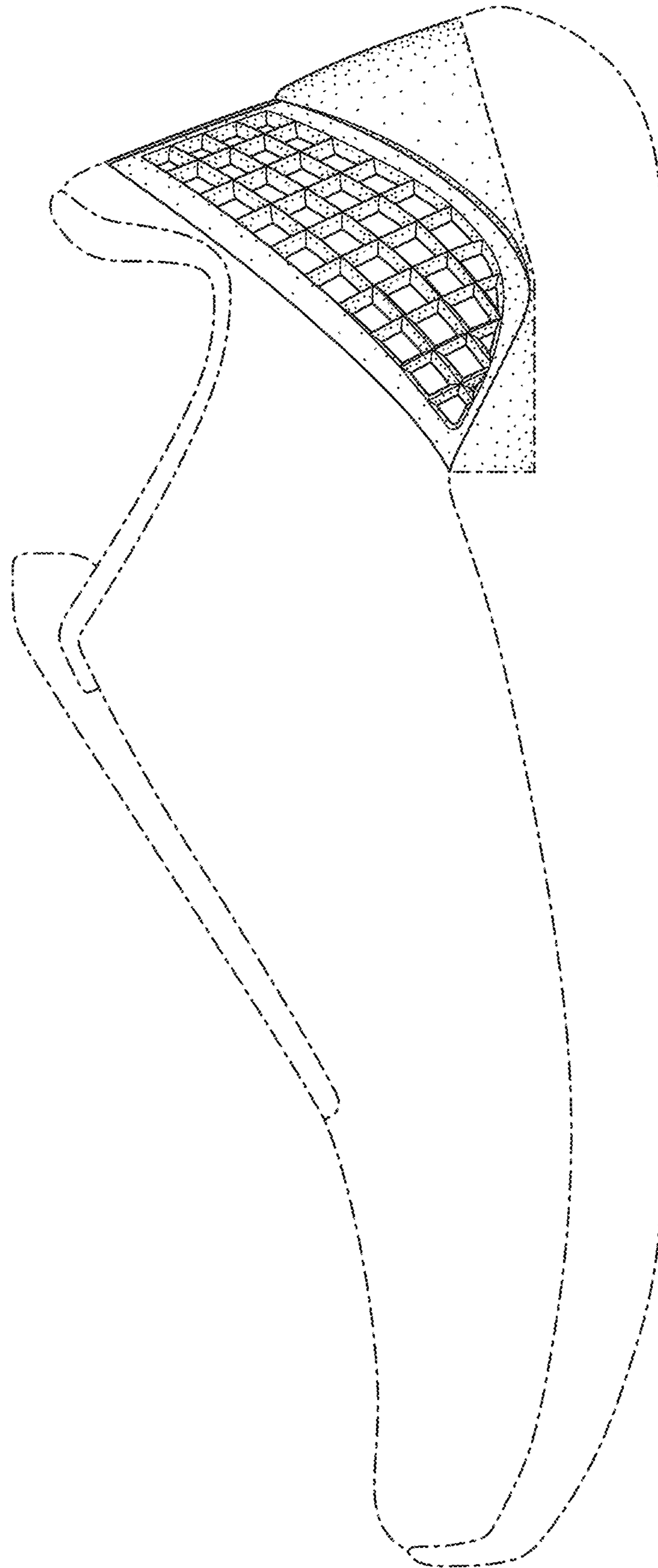


FIG. 4

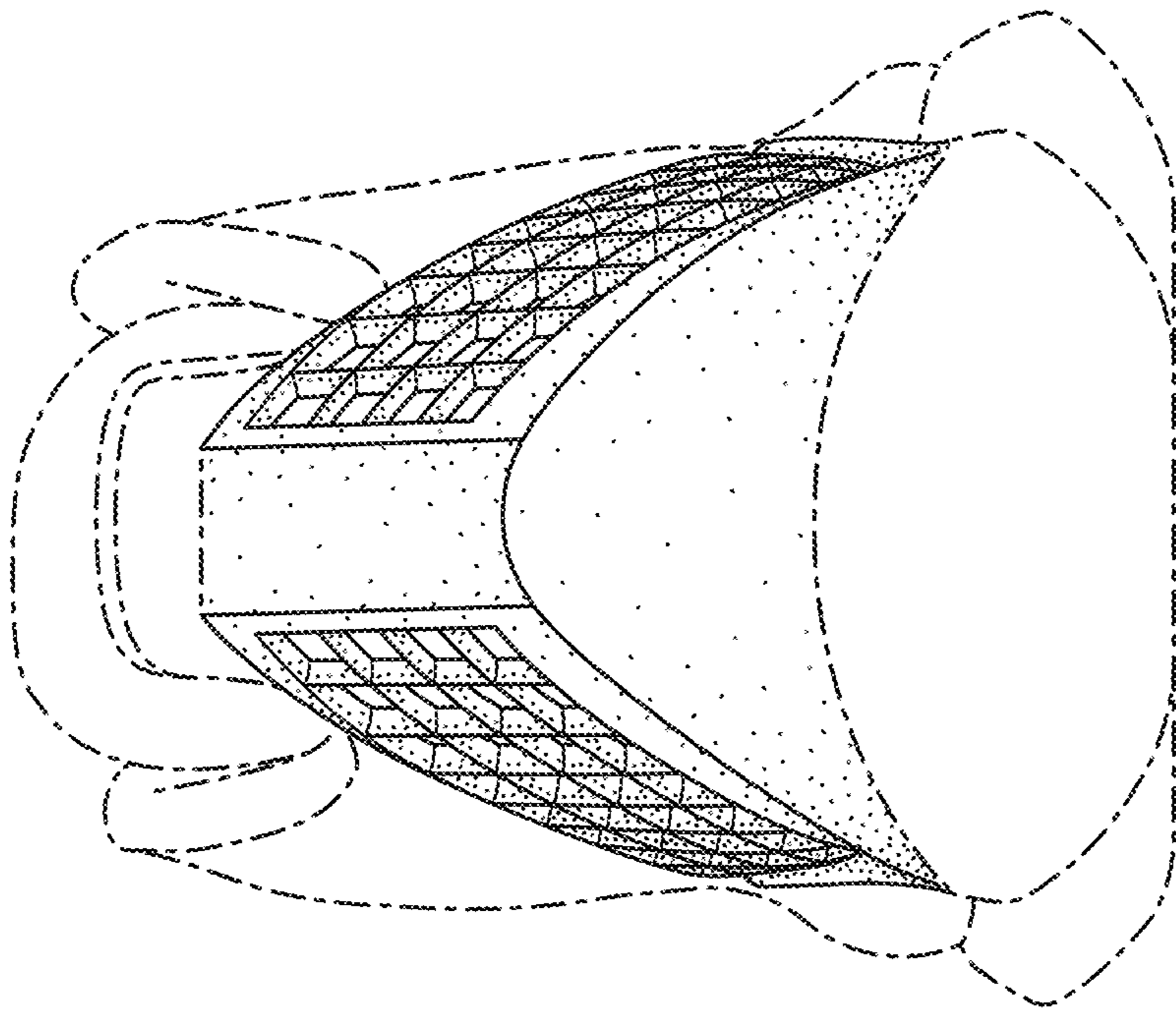


FIG. 5